

Los Angeles County Department of Public Works

HYDROLOGIC REPORT

2004 – 2005



Water Resources Division

TABLE OF CONTENTS

TABLE OF CONTENTS	(i)
APPENDICES	(ii)
ACKNOWLEDGMENTS	4
INTRODUCTION	5
LOS ANGELES COUNTY	6
FLOOD CONTROL AND WATER CONSERVATION	8
PRECIPITATION	9
RAINFALL INDICES.....	10
STANDARD RAIN GAGE STATIONS DURING WATER YEAR 2004-2005.....	11
DAILY RAINFALL SUMMARY.....	15
LOCATION MAP.....	16
EVAPORATION	17
ACTIVE STATIONS.....	18
MONTHLY SUMMARY.....	19
LOCATION MAP.....	20
RUNOFF	21
INDEX OF STREAM FLOW MEASURING STATIONS.....	22
STREAM GAGING STATION INFORMATION.....	24
DAILY DISCHARGE.....	24
STREAM GAGING STATION PEAK FLOW.....	24
LOCATION MAP.....	25
RESERVOIRS	26
YEARLY RESERVOIR OPERATION SUMMARY.....	27
FACILITIES.....	28
LOCATION MAP.....	29
EROSION CONTROL	30
LOCATION MAP.....	31
DEBRIS BASIN - DESIGN DATA.....	32
WATER CONSERVATION	38
CONSERVING THE WATERS.....	38
IMPORTED WATER.....	38
RECYCLED WATER.....	38
SEAWATER BARRIER PROJECTS.....	38
SEASONAL DATA AND MAPS.....	39
GROUNDWATER BASINS AND GROUNDWATER RECHARGE.....	39
SUMMARY.....	42
<i>SPREADING FACILITIES OWNED AND OPERATED BY THE DEPARTMENT</i>	42
<i>NON DPW FACILITIES</i>	42
<i>TOTAL MONTHLY WATER CONSERVED</i>	42
<i>IMPORTED WATER OUTLET RELEASES</i>	42
<i>RECLAIMED WATER</i>	42
<i>GROUND WATER FLUCTUATION</i>	42
<i>KEYWELL LOCATION MAP</i>	43

Appendices

DAILY RAINFALL SUMMARY.....A

STREAM GAGING STATION INFORMATION.....B

DAILY DISCHARGE.....C

STREAM GAGING STATION PEAK FLOW.....D

YEARLY RESERVOIR OPERATION SUMMARY.....E

EROSION CONTROL - LOCATION MAP.....F

SUMMARY OF WATER CONSERVATION

SPREADING FACILITIES OWNED AND OPERATED BY DEPARTMENT.....G

NON DPW FACILITIES.....H

TOTAL MONTHLY WATER CONSERVED.....I

IMPORTED WATER OUTLET RELEASES.....J

RECLAIMED WATER.....K

GROUND WATER FLUCTUATION.....L

Acknowledgments

This report was prepared by the Water Resources Division under the direction of Rod Kubomoto, Assistant Deputy Director. The following people contributed the data gathered for this report.

Data Collection and Processing:

OPERATIONS STAFF:

Ken Zimmer

Edward Gerlits: *Supervising*

George Manole

Bradley Palmer: *Supervising*

Irene Wong, Fred Lai

Soo Koo: *Supervising*

Archilles Dornidon, Alex Rivera, Sovan Tith

Don Wilson: *Supervising*

Jose Escajeda, Anthony Ward, Janet Lozano

HYDROLOGIC RECORDS STAFF:

Ben Willardson: *Supervising*

Rodney Brown, Marine Gaplandzhyan

INSTRUMENTATION SUPPORT

STAFF:

Araik Zargaryan

Thompson Nguyen: *Supervising*

Steve Carrillo, Luong Quang

Leonard Khoo: *Supervising*

Robert Fuentes

HYDROLOGIC SYSTEM SUPPORT

STAFF:

Arthur Gotingco: *Supervising*

Andrew Lee

Coordination:

Iraj Nasserri

Adam Walden

DISCLAIMER

The information contained on this report was valid at the time of publication. The Department of Public Works reserves the right to make changes at any time and without notice, and assumes no liability for any damages incurred directly or indirectly as a result of changes errors, omissions or discrepancies.

Introduction

This report discusses hydrologic data relative to the County of Los Angeles for the period beginning October 1, 2004, and ending September 30, 2005. Public Works has revised the format of this report to provide users with more useful data and a more efficient means of utilizing that data. The report consists of six sections.

PRECIPITATION

Lists 242 active [rainfall stations](#) for which unpublished rainfall data are on file at Public Works.

EVAPORATION

Lists 13 [evaporation station](#) locations and data for this reporting period. Unpublished evaporation data from previous years are on file at Public Works.

RUNOFF

Lists 56 active [stream gaging stations](#). The mean of the [daily flow rates](#) during the reporting period, the reporting period's peak flow rate, and historical peak flow rate for each of these stations are contained in this section. Unpublished stream flow data are on file at Public Works.

RESERVOIRS

Lists 14 [dams and reservoirs](#) for which inflow, outflow, and storage data are on file at Public Works.

EROSION CONTROL

118 [debris basins](#). Data on the debris production amounts for the reporting period are contained in this section. Unpublished debris production and inflow data are on file at Public Works.

WATER CONSERVATION

Lists 27 [groundwater recharge](#) locations. Data on the water conserved at various facilities and water injected at seawater barrier projects during the reporting period, and historical well level data for key wells are contained in this section. Unpublished water conservation data from previous years are on file at Public Works.

Unpublished information may be obtained by contacting:

**Los Angeles County Department of Public Works
Water Resources Division
P.O. Box 1460
Alhambra, CA 91802-1460**

...or telephone: (626) 458-6120

Los Angeles County

TOPOGRAPHY:

The County of Los Angeles covers an area of 4,083 square miles and measures approximately 66 miles in the east -west and 73 miles in the north - south directions.

The terrain within the County can be classified in broad terms as being 25 percent mountainous; 14 percent coastal plain; and 61 percent hills, valleys, or deserts. Relief of the terrain ranges from sea level to a maximum elevation of 10,000 feet. The coastal plain is generally of mild slope and contains relatively few depressions or natural ponding areas. The slopes of main river systems crossing the coastal plain, such as the San Gabriel River, Los Angeles River, and Ballona Creek, range from 4 to 14 feet per mile.

Topography in the mountainous area is generally rugged with deep, V-shaped canyons separated by sharp dividing ridges. Steep walled canyons with side slopes of 70 percent or more are common. The gradient of principal canyons in the San Gabriel Mountains ranges from 150 to 850 feet per mile. Mountain ranges are aligned in a general east-west direction with the dominant range being the San Gabriel Mountains. The majority of mountain ridges lie below Elevation 5,000 feet. The total area above this level is approximately 210 square miles.

GEOLOGY - SOILS:

Igneous, metamorphic, and sedimentary rock groups are all present within the County. The San Gabriel Mountain and Verdugo Hills are composed primarily of highly fractured igneous rock, with large areas of granite rock formation being exposed. Faulting and deep weathering have produced porous zones in the rock formation; however, rock masses have produced a comparatively shallow soil mantle due to the steepness of slopes which accelerates erosion of the fine material.

Other mountains and hilly reaches are composed primarily of folded and faulted sedimentary rocks, including shale, sandstone, and conglomerate. Residual soils in these areas are shallow and generally less pervious than those of the San Gabriel Mountain range.

Valley and desert soils are alluvial and vary from coarse sand and gravel near canyon mouths to silty clay, clay and sand and gravel in lower valleys and the coastal plain. The alluvial fill has accumulated by repeated deposition of sediments to depths as great as several thousand feet. This fill is quite porous in areas of relatively low clay content. Geologic structures and irregularities in the underlying bedrock divide the alluvium into several groundwater basins. Valley soils are generally well drained but there are a few areas containing perched water.

LAND USE:

The principal vegetative cover of upper mountain areas consists of various species of brush and shrubs known as chaparral. Most trees found on mountain slopes are oak, with alder, willow, and sycamore found along streambeds at lower elevations. Pine, cedar, and juniper are found in ravines at higher elevations and along high mountain summits.

The chaparral is extremely flammable, and extensive burns of the mountain vegetation frequently occur during dry, low-humidity weather accompanied by high winds. Chaparral has the ability to sprout following fire and grows rapidly to re-establish the watershed cover within a period of 5 to 10 years.

Grasses are the principal natural vegetation on the hills. Much of the hill land and nearly all of the valley land in the densely populated portion of the County south of the San Gabriel Mountains has been converted to urban and suburban use. Development of the Santa Clarita Valley and desert areas to the north of the San Gabriel Mountains is sparse at present but is proceeding rapidly.

CLIMATE:

The climate within the County varies between subtropical on the Pacific Ocean side of the San Gabriel Mountain range to arid in the Mojave Desert. Nearly all precipitation occurs during the months of December through March. Precipitation during summer months is infrequent, and rainless periods of several months are common. Snowfall at elevations above 5,000 feet is frequently experienced during the winter storms, but the snow melts rapidly except on higher peaks and the northern slopes. Snow is rarely experienced on the coastal plain.

January and July are the coldest and warmest months of the year, respectively. At the Los Angeles civic center, the 30-year average daily minimum temperature for January is 48 degrees (Fahrenheit) above zero. The average daily maximum temperature for July is 84 degrees. At Mount Wilson (Elevation 5,850 feet), the 30-year average daily minimum temperature for January is 35 degrees above zero and the average daily maximum temperature for July is 80 degrees.

HYDROMETEOROLOGIC CHARACTERISTICS:

Coastal and Mountain Areas Precipitation (rainfall) in the Los Angeles area occurs primarily in the form of winter orographic rainfall cyclones of North Pacific associated with extra tropical origin. Major storms consist of one or more frontal systems and occasionally last four days or longer. Air masses and frontal systems associated with major storms commonly extend for 500 to 1,000 miles in length and produce rainfall simultaneously throughout the County. Major storms approach Southern California from the west or northwest with southerly winds which continue until frontal passage. The mountain ranges lie directly across the path of the inflow of warm, moist air, and orographic effects greatly intensify precipitation.

The seasonal normal rainfall in Los Angeles County ranges from 27.50 inches in the San Gabriel Mountains to 7.83 inches in the desert. The annual County average for the annual rainfall for Los Angeles County is 15.65 inches. The effects of snow melt upon flood runoff is of significance in the few cases when warm spring rains from southerly storms fall on a snow pack. During major storms, temperatures throughout the County may remain above freezing. Average individual storm rainfall amounts and intensities conform to a fairly definite aerial pattern which reflects general effects of topographic differences.

Desert Areas

Summer convective rainfall is principally experienced in the upper San Gabriel Mountains and the Mojave Desert regions. In many desert areas, the most serious flooding occurs as a result of summer convective storms.

RUNOFF CHARACTERISTICS:

Mountain Areas

In mountain areas, the steep canyon slopes and channel gradients promote a rapid concentration of storm runoff. Depression storage and detention storage effects are minor in the rugged terrain. Soil moisture during a storm has a pronounced effect on runoff from the porous soils supporting a good growth of deep-rooted vegetation such as chaparral. Soil moisture deficiency is greatest at the beginning of a rainy season, having been depleted by the evapotranspiration process during the dry summer months. Precipitation during periods of soil moisture deficiency is nearly entirely absorbed by soils, and except for periods of extremely intense rainfall, significant runoff does not occur until soils are wetted to capacity. Due to high infiltration rates and porosity of mountain soils, runoff occurs primarily as subsurface flow or interflow in addition to direct runoff. Spring or base flow is essentially limited to portions of the San Gabriel Mountain range. Consequently, most streams in the County are intermittent.

Runoff from a mountain watershed recently denuded by fire exceeds that for the unburned state due to greatly increased quantities of inorganic debris present in the flow and increased direct runoff resulting from lowered infiltration rates. Debris production from a major storm has amounted to as much as 223,000 cubic yards per square mile of watershed. Boulders up to eight feet in diameter have been deposited in valley areas a considerable distance from their source.

Debris quantities equal in volume to storm runoff, representing a 100 percent bulking of runoff from a major storm, have been recorded. Where debris-laden flow traverses an alluvial fill unconfined by flood control works, flood discharges follow an unpredictable path across the debris cone formed at the canyon mouth.

Hill and Valley Areas

In hill areas, runoff concentrates rapidly from the generally steep slopes; however, runoff rates from undeveloped hill areas are normally smaller than those from mountain areas of the same size. In those hill areas which have been developed for residential use, concentration times become considerably decreased due to drainage improvement, and runoff volumes and rates have increased due to increased imperviousness. On the other hand, erosion is controlled and debris is minimized from storm flows. Debris production rates from undeveloped hill areas are normally smaller than those from mountain areas of the same size.

In highly developed valley areas, local runoff volumes have increased as the soil surface has become covered by impervious materials. Peak runoff rates for valley areas have also increased due to elimination of natural ponding areas and improved hydraulic efficiency of water carriers such as streets and storm drain systems.

Flood Control & Water Conservation

FLOODS. . .AN OLD STORY:

Floods in Los Angeles County have been recorded as far back as the days of the Mission Padres. For centuries waters have swept out of the San Gabriel Mountains causing extensive property damage and taking a great toll of lives.

Such a flood occurred in 1914 causing over \$10 million in property damage and taking many lives. As a result, the State legislature in 1915 enacted the statute creating the Los Angeles County Flood Control District. The responsibilities and authority vested in the Flood Control District were, in 1985, transferred to and are now part of the Los Angeles County Department of Public Works.

The Department, under the Flood Control Act, has two tasks. . .control the floods and conserve the water.

CONTROLLING THE WATERS:

Successful early bond issues financed construction of the 15 dams which the Department built in the San Gabriel Mountains and foothills to impound storm waters until they could be safely released. Debris basins were constructed to trap eroded materials which had caused terrible damage in the past. Flood channel improvements were undertaken to confine the waters and convey them safely through the urbanized areas to the ocean.

District engineers prepared a Comprehensive Plan in the early 1930's which would control flooding and save as much of the water as practicable when fully implemented.

Federal legislation in 1936 brought the United States Army Corps of Engineers into the local flood control picture. Since that time, the two agencies have been jointly pursuing implementation of the Comprehensive Plan. The Department also cooperates with the United States Natural Resources Conservation Service and Forest Service in erosion control.

CONSERVING THE WATERS:

In addition to its flood control program, the Department has the equally important mission of conserving as much of the storm and other waste waters as practicable. The use of water conservation facilities in or adjacent to river channels and their tributaries permits water to be percolated into groundwater aquifers or basins for later pumping and supply to consumers. These water conservation facilities are located in areas where the underlying soils are composed of porous sands and gravel formations. Some are shallow and resemble rice paddies, while others are deep basins which were once gravel pits.

The importance of this activity is apparent when it is realized that about 30 to 40 percent of the water used in the County is pumped from groundwater supplies. The growth of the County, combined with periodic droughts, seriously depleted these supplies on numerous occasions throughout the history of the County.

Other major conservation efforts by the Department include combating the serious salt water intrusion into groundwater supplies inland from the Pacific Ocean and utilizing imported and reclaimed water to help replenish groundwater supplies.

ORGANIZED TO DO THE JOB:

Day-to-day administration of Department affairs is vested in the Director of Public Works who is appointed by and responsible to the Los Angeles County Board of Supervisors. A part of the Department's activities involve the planning, design and construction of flood control and water conservation facilities, and the operation and maintenance of dams, debris basins, spreading grounds, channels, and storm drains.

P R E C I P I T A T I O N

Public Works operates and maintains a network of rain gages to collect rainfall (precipitation) data for the purposes of in-house engineering and design of flood control and water conservation facilities.

RAINFALL AMOUNTS:

Although Public Works operates and maintains 242 rain gages, including those which record amounts for durations ranging from 5 minutes to 24 hours, only [daily](#) and [annual](#) amounts for the report period are listed herein. Additional data (e.g., intensities) can be obtained by contacting the [custodian](#) of hydrologic records.

ALERT SYSTEM^a

Automated Local Evaluation in Real Time:

Public Works operates and maintains a state-of-the-art ALERT computer system to monitor meteorological conditions in the County and Southern California in real time, i.e., as they occur. The system includes a network of field sensors that monitor and receive precipitation amounts including rainfall data from the Corps of Engineers' Los Angeles Telemetry System.

COOPERATION:

The cooperation of observers in furnishing rainfall data to Public Works as a public service is appreciated. The effort of the many agencies and individuals who have so freely cooperated with us in the collection of this data have resulted in the large number of complete records for the period covered by this report.

Data from 22 stations of Public Works' records are reported and published by the National Oceanic and Atmospheric Administration (NOAA).

CUSTODIAN:

Unpublished information may be obtained by contacting:

County of Los Angeles
Department of Public Works
Water Resources Division
P.O. Box 1460
Alhambra, CA 91802-1460

...or telephone: (626) 458-6120

P R E C I P I T A T I O N

RAINFALL INDICES

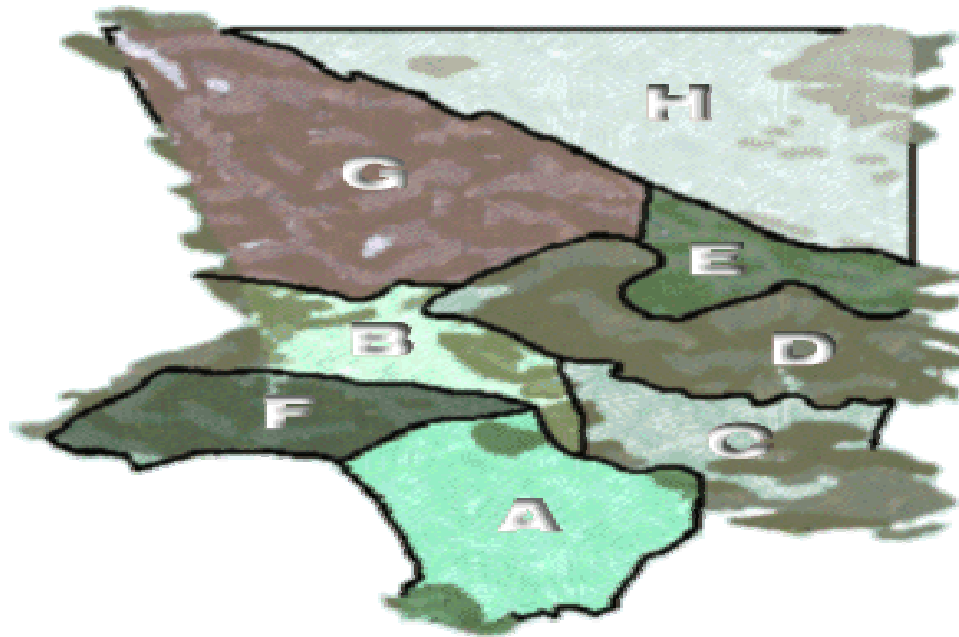
USING SELECTED STATIONS
FOR THE PERIOD OCTOBER 1, 2004 THROUGH SEPTEMBER 30, 2005 ***

Area	Percent of Area	Seasonal Normal (inches)	Total Precipitation	Percent of Seasonal Normal
A. Coastal Plain	14.1%	13.71	28.96	211%
B. San Fernando Valley	7.9%	17.62	43.37	246%
C. San Gabriel Valley	7.5%	17.64	39.24	222%
D. San Gabriel Mountains	13.4%	27.50	66.17	241%
E. Little Rock, Big Rock	4.5%	18.61	40.55	218%
F. Santa Monica Mountains	5.7%	19.96	49.19	246%
G. Santa Clara	18.9%	16.64	42.37	255%
H. Desert	28.0%	7.83	20.94	267%
County*	100.0%	15.65	37.82	242%
Los Angeles (Station No. 716)**		15.51	32.45	209%
Cogswell Dam (Station No. 334-B)**		32.88	78.71	239%

* - Seasonal Normal and Total Precipitation to Date sections of this line are derived from Area Weighted Average.

** - Automatic gage.

*** - Data Revised March 2011



PRECIPITATION

Station No.	Station Name	Gage Type	Thomas Guide Page	North Latitude	West Longitude	Gage Elev. (ft)	Season Total (in)	Notes
5B	Calabasas	S	100 F3	34-09-24	118-38-14	924	47.98	
11D	Upper Franklin Canyon Reservoir	SP	592 F2	34-07-10	118-24-35	867	54.11	
13C	North Hollywood-Lakeside	S	563 B5	34-08-46	118-21-13	550	51.97	
20B	Girard Reservoir	SP	559 J4	34-09-07	118-36-36	986	49.82	
21B	Woodland Hills	S	560 A2	34-10-14	118-35-33	875	38.71	
23B	Chatsworth Reservoir	SP	529 G1	34-13-44	118-37-18	900	30.92	
25C	Northridge-L.A.D.W.P.	SP	530 H1	34-13-52	118-32-28	810	34.43	
33A	Pacoima Dam	S	4642 F7	34-19-48	118-23-59	1500	40.62	
42C	Redondo Beach-City Hall	SP	762 G5	33-50-43	118-23-20	70	26.73	
43D	Palos Verdes Estates	S	792 H4	33-47-58	118-23-29	216	30.59	
46D	Big Tujunga Dam	S	4725 C6	34-17-40	118-11-14	2315	59.53	
63C	Santa Anita Dam	S	537 E2	34-11-03	118-01-12	1400	63.29	
82F	Table Mountain	S	4561 G6	34-22-56	117-40-39	7420	28.40	E
89B	San Dimas Dam	S	570 F2	34-09-10	117-46-17	1350	54.90	
93C	Claremont-Police Station	S	601 C3	34-05-45	117-43-18	1170	37.85	
95	San Dimas-Fire Warden	S	600 B3	34-06-26	117-48-19	955	42.65	
96C	Puddingstone Dam	S	600 B4	34-05-31	117-48-24	1030	44.12	
106F	Whittier City Yard	S	677 B5	33-58-57	118-02-50	300	29.40	
107D	Downey-Fire Department	S	705 J7	33-55-48	118-08-47	110	24.86	E
108D	El Monte Fire Station	S	597 C7	34-04-30	118-02-30	275	27.82	E
109D	West Arcadia	S	566 G7	34-07-42	118-04-22	547	45.07	E
120	Vincent Patrol Station	S	4375 H6	34-29-17	118-08-27	3135	19.65	
125B	San Francisquito Canyon Ph#1 - Saugus	SP	X	34-35-25	118-27-15	2105	45.21	
134C	Puddingstone Diversion	S	570 F5	34-07-52	117-46-55	1160	42.65	
144	Sierra Madre Dam	S	537 B4	34-10-34	118-02-32	1100	60.67	E
167C	Arcadia Pumping Plant #1	SP	567 D2	34-09-31	118-02-02	611	57.78	E
169	Sierra Madre Pumping Plant	SP	567 B2	34-09-47	118-02-21	700	59.01	
170F	Potrero Heights	S	636 H5	34-02-32	118-04-44	285	39.82	
174B	Glendora	S	570 A6	34-07-43	117-49-08	930	38.68	E
175B	La Canada Irrigation District	S	535 A1	34-13-39	118-12-40	2020	64.05	
176	Altadena-Rubio Canyon	SP	536 A1	34-10-55	118-08-15	1125	56.66	
196C	La Verne-Fire Station	S	600 G2	34-06-06	117-46-20	1050	36.16	
216C	Glendale - Jackson	S	564 F5	34-09-54	118-15-01	615	49.76	A
223C	Big Dalton Dam	S	570 B1	34-10-06	117-48-36	1587	61.36	

PRECIPITATION

Station No.	Station Name	Gage Type	Thomas Guide Page	North Latitude	West Longitude	Gage Elev. (ft)	Season Total (in)	Notes
225	Montana Ranch-Lakewood	S	766 C4	33-50-35	118-07-09	47	21.42	
227D	San Gabriel-Bruington-Orton	S	596 D2	34-06-18	118-06-32	472	47.42	
228C	Beverly Hills City Hall	S	632 G1	34-06-00	118-23-40	245	38.80	E
235C	Henniger Flats	S	536 F5	34-11-38	118-05-17	2550	71.92	
237C	Stone Canyon Reservoir	SP	591 J3	34-06-21	118-27-13	865	53.63	
238	Hollywood Dam	SP	593 F2	34-07-04	118-19-55	750	50.66	
251C	La Crescenta	S	534 F1	34-13-20	118-14-40	1440	53.76	A
252C	Castaic Lake	SP	4369	34-29-53	118-36-53	1150	40.05	E
255F	Mount San Antonio College-Spadra	S	639 J4	34-02-41	117-50-19	720	35.33	E
269D	Diamond Bar Fire Station	SP	680 B2	33-59-50	117-48-55	870	42.65	
287B	Glendora-City Hall	S	569 E5	34-08-09	117-51-52	785	52.43	
292D	Encino Reservoir	SP	561 B4	34-08-56	118-30-57	1075	51.13	
293B	Los Angeles Reservoir	SP	481 E5	34-17-18	118-28-54	1150	42.28	
294B	Sierra Madre-Mira Monte Pumping Plant	SP	567 A1	34-10-11	118-02-51	985	61.16	
299F	Little Rock - Schwab	S	4287 H7	34-32-12	117-58-43	2800	18.24	
306H	Zuma Beach	S	667 B1	34-01-15	118-49-42	15	32.08	
322	Munz Valley Ranch	S	4013 A4	34-42-50	118-21-15	2600	28.45	
334B	Cogswell Dam	S	XI	34-14-37	117-57-35	2300	90.23	
336	Silver Lake Reservoir	SP	537 A1	34-06-08	118-15-54	445	46.97	
356C	Spadra-Lanterman Hospital	S	640 B4	34-02-31	117-48-35	690	39.55	A
372	San Francisquito Power House No.2	SP	X	34-32-02	118-31-27	1580	43.64	E
373C	Briggs Terrace	S	504 H6	34-14-17	118-13-27	2200	68.95	
388D	Paramount-County Fire Department	S	735 G4	33-53-50	118-10-02	80	35.82	E
405B	Soledad Canyon	S	4463 J6	34-26-23	118-17-33	2150	35.22	E
406C	West Azusa	S	598 H2	34-06-53	117-54-56	505	43.55	
409B	Pyramid Reservoir	SP	X	34-40-34	118-46-47	2505	39.40	E
425B	San Gabriel Dam	S	509 E3	34-12-19	117-51-38	1481	72.36	
436C	Hansen Dam	SP	502 G3	34-16-08	118-23-59	1110	43.77	
447C	Carbon Canyon	S	629 F6	34-02-18	118-38-56	50	33.81	E
455B	Lancaster-State Hwy Maintenance Sta.	S	4105 J1	34-40-57	118-08-02	2395	18.24	
465C	Sepulveda Dam	SP	561 G2	34-10-06	118-28-11	683	38.65	
482	Los Angeles-U.S.C.	SP	674 A1	34-01-14	118-17-15	208	36.71	E
488B	Kagel Canyon Patrol Station	S	482 D5	34-17-45	118-22-30	1450	38.07	E
497	Claremont-Slaughter	S	571 B7	34-07-35	117-43-55	1350	46.45	

PRECIPITATION

Station No.	Station Name	Gage Type	Thomas Guide Page	North Latitude	West Longitude	Gage Elev. (ft)	Season Total (in)	Notes
542	Fairmont	SP	X	34-42-15	118-25-40	3050	39.07	
564C	Llano	S	4379 F5	34-29-13	117-50-02	3390	19.35	
591B	Santa Anita Reservoir	SP	536 E7	34-11-08	118-06-16	1205	62.87	
598D	Neenach-Check 43-California D.W.R.	SP	X	34-47-40	118-37-15	2965	25.04	E
610B	Pasadena-City Hall	DA	565 J4	34-08-54	118-08-36	864	56.47	E
612B	Pasadena-Chlorine Plant	SP	535 F3	34-12-04	118-09-49	1160	58.79	
613C	Pasadena Fire Station	SP	566 A6	34-07-15	118-08-05	779	52.04	
627	San Gabriel Canyon-Power House	SP	568 J3	34-09-20	117-54-28	744	56.03	
634C	Santa Monica	S	671 E2	34-00-43	118-29-27	94	32.62	
680B	Westwood (U.C.L.A.)	SP	632 B1	34-04-10	118-26-30	430	41.91	E
683B	Sunset Ridge	S	535 F5	34-12-53	118-08-47	2110	63.41	
695B	Tujunga Canyon-Vogel Flat	S	X	34-17-12	118-13-32	1850	72.07	
716	Los Angeles-Ducommun St.	SP	634 H4	34-03-09	118-14-13	306	40.51	
726C	Angeles Crest Guard Station	S	X	34-14-01	118-11-04	2300	72.38	E
742C	San Gabriel Fire Department	SP	596 F4	34-06-11	118-05-56	445	13.59	I
749B	Burbank Valley Pump Plant	SP	533 C6	34-11-11	118-20-54	655	44.96	
750B	Palmdale-F.A.A. Airport	S	4196 E5	34-37-20	118-05-00	2528	18.52	
794	Lower Franklin Reservoir	SP	592 F6	34-05-43	118-24-40	585	43.93	
795	Pasadena-Jourdan	SP	566 F5	34-08-52	118-05-14	705	51.01	
797	De Soto Reservoir	SP	500 B2	34-16-17	118-35-12	1127	31.35	
801B	Magic Mountain	SP	X	34-23-18	118-19-27	4720	53.29	I
802C	Eagle Rock Reservoir	SP	565 C5	34-08-47	118-11-20	970	46.11	
807	Ascot Reservoir	SP	595 C6	34-04-46	118-11-14	620	42.94	
1005B	Mint Canyon Fire Station	S	X	34-30-35	118-21-40	2300	33.34	E
1006	San Pedro-City Reservoir	SP	824 B4	33-44-37	118-17-47	150	29.74	
1011B	Palos Verdes Fire Station	S	823 D3	33-45-25	118-21-11	1275	28.43	E
1037	Arcadia-Arboretum	S	567 A5	34-08-48	118-02-59	565	47.02	
1058B	Palmdale	SP	4196	34-35-17	118-05-31	2595	20.96	
1070	Manhattan Beach	S	732 J	33-53-00	118-23-19	182	25.99	
1071B	Descanso Gardens	S	535 B	34-12-07	118-12-46	1325	59.56	
1072B	Little Tujunga Ranger Station	SP	4723	34-17-37	118-21-38	1275		NA
1081B	Glendale-Gregg	SP	534 F	34-11-45	118-14-30	1350	56.13	
1087	Green-Verdugo Pumping Plant	SP	503 D	34-15-25	118-20-11	1340	45.93	
1088B	La Habra Heights-Mutual Water Co.	S	708 D	33-56-55	117-57-51	445	35.63	

PRECIPITATION

Station No.	Station Name	Gage Type	Thomas Guide Page	North Latitude	West Longitude	Gage Elev. (ft)	Season Total (in)	Notes
1114B	Whittier Narrows Dam	SP	636 H	34-01-29	118-05-02	239	32.70	
1115	San Antonio Dam	SP	571 J	34-09-24	117-40-20	2120	53.53	
1126A	Los Angeles-East Valley	SP	532 E	34-12-30	118-24-35	780	35.79	
1129B	Nicholas Canyon	S	626 A	34-02-52	118-54-57	340	30.99	I
1158	Torrance Municipal Airport	SP	793 E	33-47-59	118-20-08	102	30.99	
1166B	Mile High Ranch	S	XI	34-24-40	117-46-15	5280	38.85	A
1191	Bear Divide	S	128 F6	34-21-35	118-23-37	2700	54.47	E
1194	Santa Ynez Reservoir	SP	630 E	34-04-23	118-33-59	735	46.89	
1212	Lancaster FSS/FAA	SP	4014	34-44-00	118-13-00	2340	18.27	E
1216	Rancho Palos Verdes	S	822 H	33-45-10	118-23-32	780	20.05	
1217	Los Angeles Country Club	S	632 D	34-04-10	118-25-17	380	42.47	
1222	Northridge-Garland	S	501 C	34-14-17	118-30-59	911	36.50	
1223	Woodland Hills-Sherman	S	559 E	34-10-06	118-38-57	1035	43.04	A
1240	Pearblossom-Calif.D.W.R. Booster Sta.	SP	4378	34-30-32	117-55-15	3050	20.05	
1251	Palos Verdes-Whites Point	SP	853 H	33-42-50	118-19-02	100	22.06	
1252	Palos Verdes Landfill	SP	793 D	33-45-40	118-20-03	400	30.83	
1253	Carson-County Sanitation	SP	794 C	33-48-07	118-16-58	40	27.35	
1254	Long Beach Reclamation Plant	SP	796 G	33-48-11	118-05-20	20	28.00	E
1255	Los Coyotes Reclamation Plant	SP	736 E	33-53-05	118-06-24	70	29.16	E
1256	South Gate Transfer Station	SP	705 G	33-56-40	118-09-56	100	32.49	
1257	San Jose Creek Reclamation Plant	SP	637 F	34-01-55	118-01-16	275	36.58	E
1258	Puente Hills Landfill	SP	637 D	34-01-35	118-01-49	300	40.11	
1259	Whittier Narrows Reclamation Plant	SP	636 J	34-03-59	118-03-54	225	32.62	E
1260	Spadra Landfill	SP	640 A	34-02-36	117-49-50	700	37.93	
1261	La Canada Reclamation Plant	SP	535 D	34-13-00	118-11-14	1800	58.46	E
1262	Saugus Reclamation Plant	SP	4550	34-24-48	118-32-23	1150	36.03	E
1263	Valencia Reclamation Plant	SP	4549	34-25-55	118-37-13	1000	35.65	E
1264	Calabasas Landfill	SP	558 G	34-08-25	118-42-35	800	42.69	
1265	Scholl Canyon Landfill	SP	565 C	34-08-38	118-11-07	1000	54.57	
1266	Mission Canyon Landfill	SP	591 G	34-08-40	118-28-45	1150	40.18	
1267	Lancaster Reclamation Plant	SP	3925	34-46-38	118-09-11	2302	16.16	E
1268	Palmdale Reclamation Plant	SP	4196	34-35-30	118-05-10	2565	17.56	E
1271	Pomona Waste Reclamation Plant	SP	640 E	34-03-18	117-47-34	786	38.18	E
1274	Whittier - Valna Drive	S	707 F	33-57-39	118-01-10	255	41.12	

P R E C I P I T A T I O N

DAILY RAINFALL SUMMARY

[See Appendix A](#)

EVAPORATION

EVAPORATION

Monthly and seasonal data for 13 active evaporation stations were reported to the Department during the reporting period. Daily records of active and inactive Department stations, as well as some stations of other agencies, are available in the Department's files. This data can be obtained by contacting the [custodian](#) of hydrologic records.

COOPERATION:

The Department receives evaporation data from The Metropolitan Water District, Palmdale Water District, California Department of Water Resources, and Descanso Gardens.

LENGTH OF RECORD:

The Los Angeles County Flood Control District (now administered by the Department) installed its first land pan in March 1929 at Santa Anita Dam. The Department has 30 evaporation stations which have records of 15 seasons or more in the Department's files.

CUSTODIAN:

Unpublished information may be obtained by contacting:

County of Los Angeles
Department of Public Works
Water Resources Division
P.O. Box 1460
Alhambra, CA 91802-1460

...or telephone: (626) 458-6120

EVAPORATION

ACTIVE STATIONS

NO.	STATION NAME	EQUIPMENT	ELEV OF PAN	THOMAS GUIDE	NORTH LAT	WEST LONG
33 A	Pacoima Dam	24X36 S	1500 ft.	482 F1	34-19-48	118-23-59
46 D	Big Tujunga Dam	24X36 S	2315 ft.	xi	34-17-40	118-11-14
63 C	Santa Anita Dam	24X36 S	1400 ft.	710 B2	34-11-03	118-01-12
89 B	San Dimas Dam	24X36 S	1350 ft.	470 F2	34-09-10	117-46-17
96 C	Puddingstone Dam	24X36 S	1030 ft.	600 A4	34-05-31	117-48-24
223 B	Big Dalton Dam	24X36 S	1587 ft.	570 B4	34-10-06	117-48-36
252 C	Castaic Reservoir	48X10 S	1150 ft.	4369 H6	34-29-53	118-36-53
334 B	Cogswell Dam	24X36 S	2300 ft.	ix	34-14-37	117-57-35
390 B	Morris Dam	72X36 US	1210 ft.	ix	34-10-53	117-52-43
409 B	Pyramid Reservoir	48X10 S	2505 ft.	593 E1	34-40-34	118-46-47
425 B	San Gabriel Dam	24X36 S	1481 ft.	ix	34-12-19	117-51-38
1058 B	Palmdale	24X36 S	2595 ft.	4196 E6	34-35-17	118-05-31
1071 B	Descanso Gardens	24X36 S	1325 ft.	535 B4	34-12-07	118-12-46

FOOTNOTES

24X36 S Screened land pan, 24 inches in diameter by 36 inches deep.

48X10 S Screened land pan, 48 inches in diameter by 10 inches deep.

72X36 US Unscreened land pan, 72 inches in diameter by 36 inches deep

EVAPORATION

MONTHLY SUMMARY

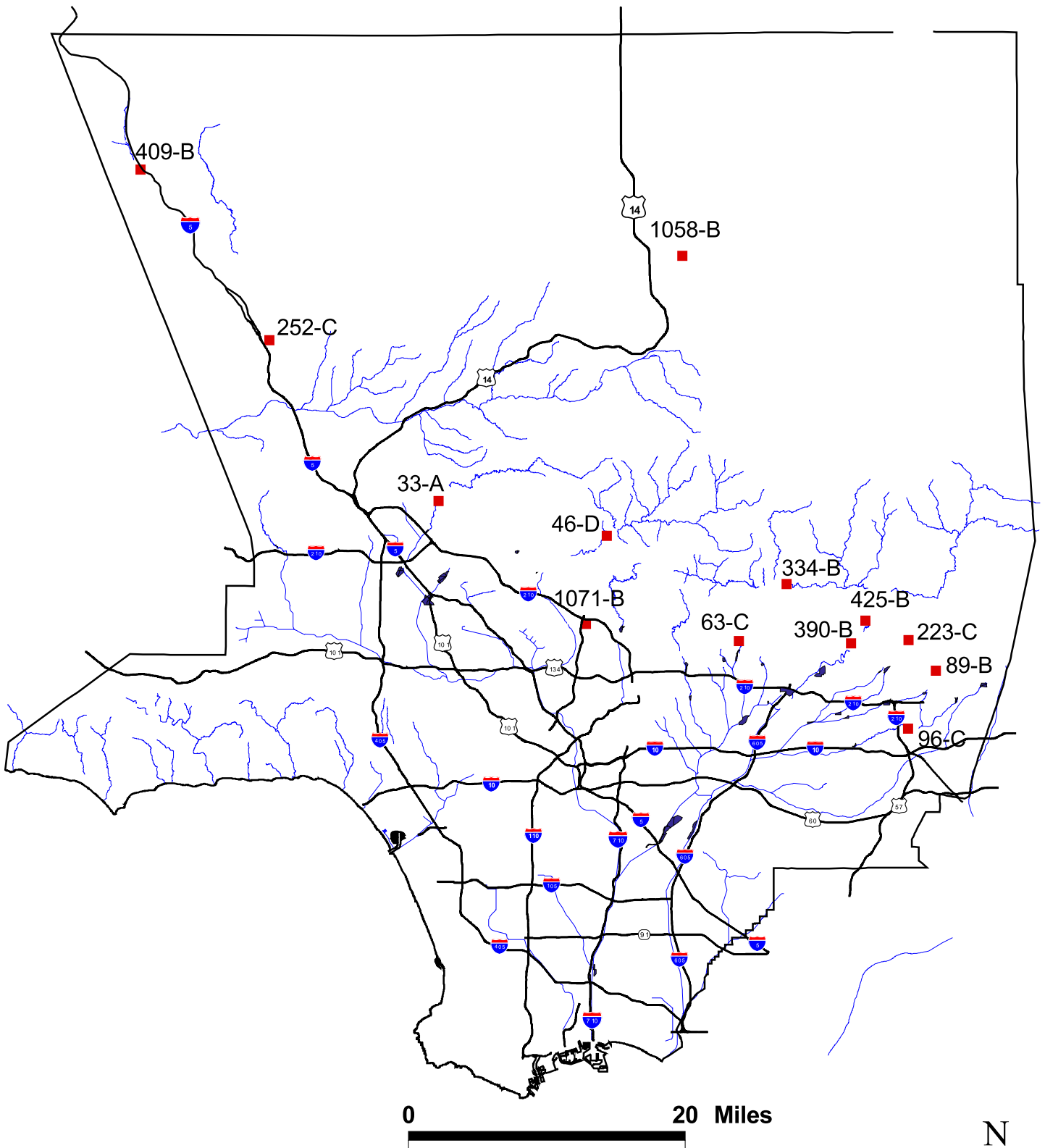
ID	Station Name	Oct	Nov	Dec	Jan	Feb	Mar	Apr	May	Jun	Jul	Aug	Sep	Total
33-A	Pacoima Dam	6.32	5.61	6.34	4.76	3.87	4.81	7.92	7.21	7.36	10.07	10.74	9.30	84.28
46-D	Big Tujunga Dam	5.46	[2.44]	4.33	2.83	2.56	4.72	6.29	8.41	[9.17]	[12.90]	13.98	9.33	[82.40]
63-C	Santa Anita Dam	3.04	2.42	2.55	1.82	1.69	2.21	3.65	3.52	4.04	5.97	6.34	5.99	43.23
89-B	San Dimas Dam	3.15	1.27	1.51	1.16	1.20	2.04	3.94	4.92	5.93	7.99	8.15	5.71	46.95
96-C	Puddingstone Dam	3.39	2.03	1.61	2.06	1.45	2.33	4.83	5.70	6.68	8.16	8.88	6.25	53.34
223-C	Big Dalton Dam	3.61	2.14	1.91	1.36	1.25	2.57	4.33	4.99	6.08	7.31	8.07	6.12	49.72
252-C*	Castaic Dam	5.38	3.42	[]	[2.75]	3.05	5.07	7.43	8.43	[]	[]	[]	[]	[35.53]
334-B	Cogswell Dam	3.29	1.51	0.93	[0.63]	1.05	1.89	3.16	4.12	5.89	7.67	7.97	5.35	[43.44]
390-B	Morris Dam	4.85	3.80	3.88	2.61	2.93	4.40	6.80	7.72	8.60	11.20	11.41	8.81	77.01
409-B*	Pyramid Reservoir	6.50	3.05	[]	[3.04]	4.10	5.38	7.37	9.32	[]	[]	[]	[]	[38.76]
425-B	San Gabriel Dam	5.98	3.48	3.00	2.29	2.55	3.80	5.53	5.96	6.86	8.69	9.11	7.53	64.76
1058-B	Palmdale	5.38	2.89	2.42	1.20	1.93	4.27	6.79	9.15	11.55	13.39	12.22	7.91	79.07
1071-B	Descanso Gardens	2.88	1.26	1.07	1.10	1.08	2.05	3.86	4.47	5.09	[6.26]	6.61	4.77	[40.47]

Units are in inches.

[] Missing Data.

*Department of Water Resources

Evaporation Locations



LEGEND

■ Evaporation Station



R U N O F F

RUNOFF

Public Works operates 56 stream gaging stations. Daily mean flow data and maximum instantaneous flow for each station were collected for these [stations](#) during the reporting period. Additional data can be obtained by contacting the [custodian](#) of hydrologic records.

ALERT SYSTEM

Automated Local Evaluation in Real Time

Public Works operates and maintains the ALERT computer system to monitor meteorological conditions at 24 river stage locations in the County.

Public Works' ALERT System also receives rainfall, streamflow, and reservoir data from the Corps of Engineers' Los Angeles Telemetry System.

COOPERATION:

Public Works receives or has access to streamflow data from other agencies. Data from 5 of Public Works' stations are published in the United States Geological Survey's annual water supply papers.

Agencies with which Public Works exchanges data are:

- U.S. Geological Survey, Water Resource Division
- U.S. Army Corps of Engineers
- State Department of Water Resources
- The Metropolitan Water District of Southern California
- San Gabriel River Water Committee

USGS MONITORING

OF STREAM GAGING STATIONS

During Water Year 2001-02, Public Works contracted with the U.S. Geological Survey (USGS) to maintain, monitor, and collect data from several stream gaging stations in the Northern part of the County of Los Angeles. The data they have collected is summarized in the discharge reports included in this section. The following lists the stream gaging stations monitored by the USGS:

USGS ID	LAC ID	START DATE
10263630	F394-R	08/22/02
10263665	F122-R	11/05/01
10264000	L1-R	01/25/02
10264682	F395-R	10/17/01
10264100	F125-R	01/15/02
11107860	F377-R	01/05/02
11107770	F328-R	11/05/01
11108000	F92-R	02/15/02

CUSTODIAN:

Unpublished information may be obtained by contacting:

**County of Los Angeles
Department of Public Works
Water Resources Division
P.O. Box 1460
Alhambra, CA 91802-1460**

...or telephone: (626) 458-6120

R U N O F F

INDEX OF STREAM FLOW MEASURING STATIONS

Station No.	Station Name	Thomas Guide Page	Regulated	Drainage Area Sq.Mile	Length Of Record
F81D-R	ALHAMBRA WASH above Klingerman Street	636 G3	No	15.2	9/2/1936
F317-R	ARCADIA WASH below Grand Avenue	597 C4	Yes	8.5	12/12/1955
F277-R	ARROYO SECO below Devils Gate Dam	535 E7	Yes	32.5	11/30/1942
F220B-R	AZUSA CONDUIT (sandbox 10ft weir)	509/539	Yes	0	10/23/1963
F250-R	AZUSA CONDUIT (sandbox 20 ft weir)	509/539	Yes	202.7	2/14/1935
F38C-R	BALLONA CREEK above Sawtelle Blvd.	672 G4	Yes	88.6	8/10/1967
F120B-R	BIG DALTON CREEK below Big Dalton Dam	509/540	Yes	4.8	6/3/1940
F394-R	BIG ROCK CREEK upstream from Palmett Creek	4469 D3	Yes	34.3	4/22/1983
F168-R	BIG TUJUNGA CREEK below Big Tujunga Dam	4645/4725	Yes	82.3	12/8/1931
F377-R	BOUQUET CANYON CREEK at Urbandale Avenue	4461 C5	Yes	51.9	10/11/1967
F329-R	BRADBURY CHANNEL below Central Avenue	568 C5	Yes	3.3	6/14/1957
F342-R	BRANFORD STREET CHANNEL below Sharp Avenue	502 E7	Yes	5.01	1/12/1962
E285-R	BURBANK WESTERN STORM DRAIN at Riverside Dr.	563 H3	Yes	25	10/1/1949
F37B-R	COMPTON CREEK near Greenleaf Drive	734 J6	No	22.6	10/3/1938
F354-R	COYOTE CREEK below Spring Street	796 H2	Yes	185	12/17/1963
F274B-R	DALTON WASH at Merced Avenue	638 D1	Yes	35.95	11/2/1958
F318-R	EATON WASH at Loftus Drive	597 A7	Yes	22.8	2/23/1956
F271-R	EATON WASH below Eaton Wash Dam	566 F1	Yes	12.4	10/1/1940
U7-R	FISH CREEK above mouth of canyon	568 G1	No	6.36	7/1/2017
F251-R	LEAKAGE at Toe of Cogswell Dam	508 C5	Yes	39.2	4/26/1935
L1-R	LITTLE ROCK CREEK above Little Rock Dam	4467 D2	No	49.2	10/1/1930
F356-R	LIVE OAK CREEK below Live Oak Dam	571 A5	Yes	2.28	11/29/1963
F300-R	LOS ANGELES RIVER at Tujunga Avenue	562 J6	Yes	401	5/8/1950
F34D-R	LOS ANGELES RIVER below Firestone Blvd.	705 F4	Yes	596	11/12/1956
F319-R	LOS ANGELES RIVER below Wardlow River Road	765 C1	Yes	815	1/13/1956
F57C-R	LOS ANGELES RIVER above Arroyo Seco	594 H6	Yes	511	12/8/1939
F130-R	MALIBU CREEK below Cold Creek	628 H1	Yes	104.96	1/17/1931
F395-R	MESCAL CREEK at mouth of canyon	4471 D4	Yes	5.71	1/28/1983
F328-R	MINT CANYON CREEK at Fitch Avenue	4462 C6	No	26.9	10/26/1956
F181-R	MONTEBELLO STORM DRAIN above Rio Hondo	676 E4	No	9.6	1/12/1932
F118B-R	PACOIMA CREEK FLUME below Pacoima Dam	4642 F7	Yes	28.2	2/9/1935

R U N O F F

INDEX OF STREAM FLOW MEASURING STATIONS

Station No.	Station Name	Thomas Guide Page	Regulated	Drainage Area Sq.Mile	Length Of Record
F305-R	PACOIMA DIVERSION at Branford Street	502 D7	Yes	48.8	10/30/1953
F122-R	PALLET CREEK at Valyermo Highway	4469 D2	No	15.8	10/31/1961
F192B-R	RIO HONDO below Lower Azusa Avenue	597 D5	Yes	40.9	12/18/1958
F45B-R	RIO HONDO above Stuart and Gray Road	705 G4	Yes	140	11/20/1951
F313B-R	RIO HONDO BYPASS - Zone one Ditch	637 A7	Yes	Controlled	11/28/1983
F338-R	RUBIO DIVERSION CHANNEL below Gooseberry Inlet	536 C5	Yes	2.1	12/16/1959
F82C-R	RUBIO WASH at Glendon Way	596 H7	Yes	10.9	11/6/1936
F303-R	SAN DIMAS CREEK below San Dimas Dam	570 F2	Yes	16.2	12/24/1951

R U N O F F

STREAM GAGING STATION INFORMATION

[See Appendix B](#)

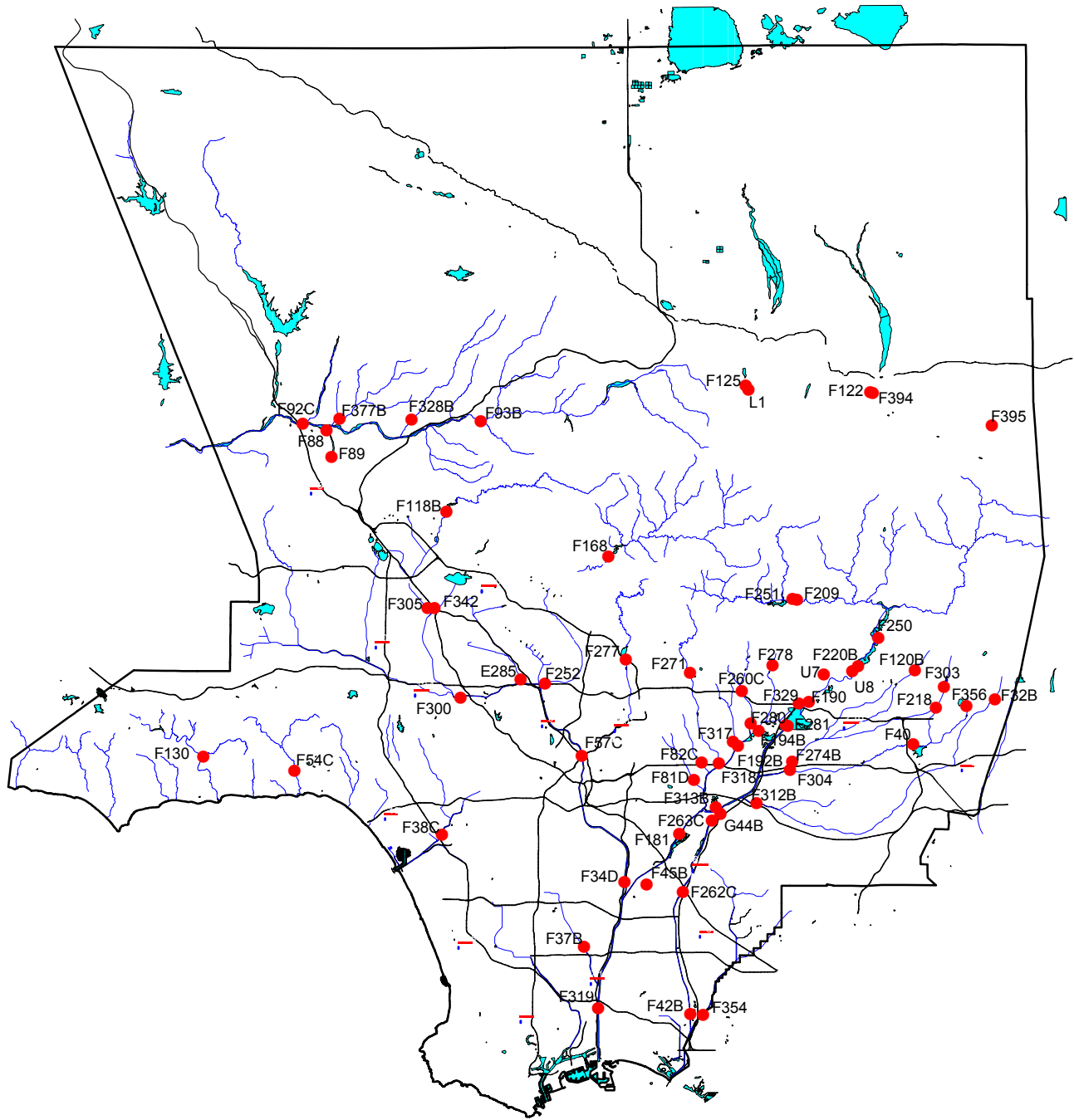
DAILY DISCHARGE

[See Appendix C](#)

STREAM GAGING STATION PEAK FLOW

[See Appendix D](#)

STREAM GAGE STATION LOCATIONS



LEGEND

● Stream Gage Station



R E S E R V O I R S

RESERVOIRS

Following the damaging flood of 1914 and creation of the Los Angeles County Flood Control District in 1915, a program of flood control and water conservation was initiated by the District. Part of this program included the construction of 14 dams which were completed between 1920 and 1939. These dams continued to be operated and maintained by the Department to control flood waters during storm periods. The Department makes post storm releases, when feasible, in amounts that can be conserved in downstream spreading grounds and by channel percolation. In addition, five Corps of Engineers' dams, Lopez, Hansen, Santa Fe, Sepulveda, and Whittier Narrows Dams, are operated by the Corps in conjunction with the Department dams to achieve flood control and/or water conservation.

RECORDS:

The Department's 14 dams and reservoirs' locations are shown on the [map](#). Data on the yearly reservoir operation summaries for each reservoir are provided by selecting from the Yearly Summary on the left. Data for these facilities can be obtained by contacting the custodian of hydrologic records.

Los Angeles County Department of Public Works
Water Resources Division
P.O. Box 1460
Alhambra, CA 91802-1460

...or telephone: (626) 458-6120

R E S E R V O I R S**YEARLY RESERVOIR OPERATION SUMMARY**

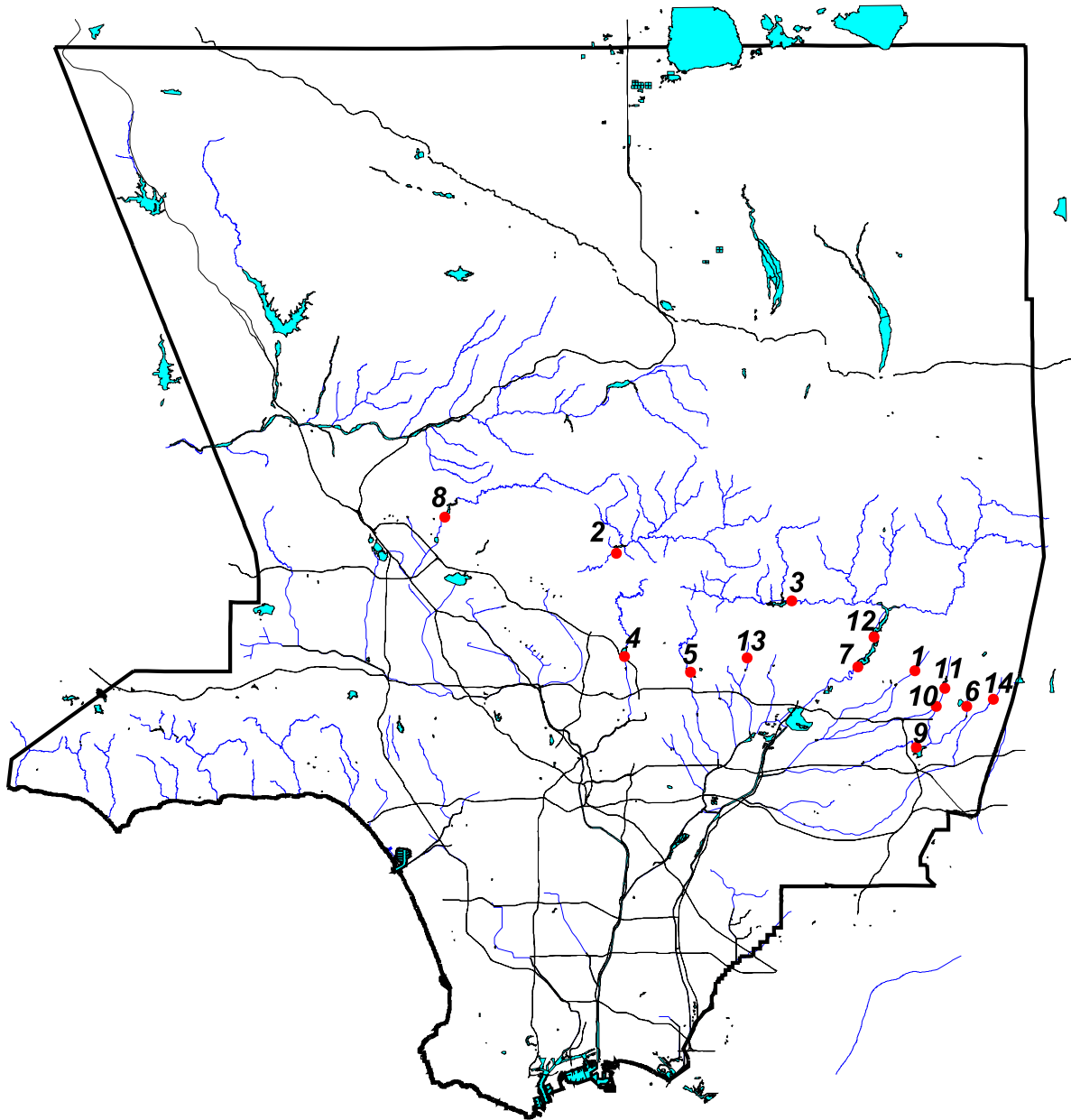
[See Appendix E](#)

Location	Appendix E
Big Dalton Dam	Appendix E 01
Big Tujunga Dam	Appendix E 02
Cogswell Dam	Appendix E 03
Devil's Gate Dam	Appendix E 04
Eaton Wash Dam	Appendix E 05
Live Oak Dam	Appendix E 06
Morris Dam	Appendix E 07
Pacoima Dam	Appendix E 08
Puddingstone Dam	Appendix E 09
Puddingstone Diversion	Appendix E 10
San Dimas Dam	Appendix E 11
San Gabriel Dam	Appendix E 12
Santa Anita Dam	Appendix E 13
Thompson Creek Dam	Appendix E 14

R E S E R V O I R S

FACILITIES

DPW Dams and Reservoirs	Current Uses	Construction Completed	Drainage Area (sq.mi)	Original Capacity (acre-ft)	Spillway Elv (ft)	Location
Big Dalton Dam	Flood control and water conservation	August 1929	4.5	1053	1706	4 miles northeast of Glendora
Big Tujunga Dam	Flood control and water conservation	July 1931	82.3	6240	2290	10 miles northeast of Sunland
Cogswell Dam	Flood control and water conservation	April 1934	39.2	12298	2385	22 miles north of Azusa
Devil's Gate Dam	Flood control and water conservation	June 1920	31.9	4601	1040.5	Arroyo Seco, northwest of Pasadena
Eaton Wash Dam	Flood control and debris storage	February 1937	12.4	956	887.5	Eaton Wash, northeast of Pasadena
Live Oak Dam	Flood control and water conservation	November 1922	2.3	250	1496	2.5 miles northeast of La Verne
Morris Dam	Water conservation	1935	211.4	39300	1152	5 miles north of Azusa
Pacoima Dam	Flood control and water conservation	February 1929	28.2	6060	1950	4 miles northeast of San Fernando
Puddingstone Dam	Flood control and water conservation	January 1928	33.1	17938	970	1 mile south of San Dimas
Puddingstone Diversion	Flood control and diversion of flow	July 1928	19.9	148	1152.5	2 miles northeast of San Dimas
San Dimas Dam	Flood control and diversion of flow	September 1922	16.2	1496	1462	3 miles northeast of San Dimas
San Gabriel Dam	Flood control and water conservation	July 1939	202.7	53344	1453	7.5 miles north of Azusa
Santa Anita Dam	Flood control and water conservation	March 1927	10.8	1376	1316	2.5 miles north of Arcadia
Thompson Creek Dam	Flood control and water conservation	March 1928	3.5	812	1634	3 miles north of Claremont
FC	Flood Control					
WC	Water Conservation					
DC	Debris Control					
R	Recreation					



1. Big Dalton Dam
 2. Big Tujunga Dam
 3. Cogswell Dam
 4. Devil's Gate Dam
 5. Eaton Wash Dam

6. Live Oak Dam
 7. Morris Dam
 8. Pacoima Dam
 9. Puddingstone Dam
 10. Puddingstone Diversion Dam

11. San Dimas Dam
 12. San Gabriel Dam
 13. Santa Anita Dam
 14. Thompson Creek Dam

E R O S I O N C O N T R O L

EROSION CONTROL

Each year eroded material in various forms (debris consisting of rock, sand, trees, etc.) flows out of the mountain watersheds of the County of Los Angeles. In an effort to control this potentially disruptive force, Public Works maintains a series of debris basins in canyon mouths and upstream stabilization structures in selected watersheds.

DEBRIS BASINS:

The purpose of a debris basin is to entrap the sediment flows emanating from the canyon and let the relatively desilted water pass into the downstream flood control channels.

Public Works maintained over 100 debris basins during the reporting period. Their locations are shown in a PDF [map](#) (1.67MB).

Data for sediment inflow at individual debris basins and unpublished information may be obtained by contacting:

County of Los Angeles
Department of Public Works
Water Resources Division
Facilities Section
P.O. Box 1460
Alhambra, CA 91802-1460

...or telephone: (626) 458-6131

STABILIZATION STRUCTURES:

Public Works has constructed stabilization structures to control erosion in natural canyons. These structures serve to prevent down cutting by stabilizing alluvium deposits. In addition, they store debris generated by the watershed and serve to stabilize side banks, reducing side slope sloughing and bank erosion.

Public Works maintained 217 stabilization structures in 47 major watersheds during the reporting period. The Department has not constructed any stabilization structures since the 1973-74 water year.

EMERGENCY STRUCTURES:

Public Works has constructed emergency structures (rail and timber) to entrap the debris from burned watersheds. The structures serve to protect improvements (road, channel, residence, etc.) located downstream of the watersheds.

Watersheds within the County of Los Angeles periodically burn. Maps of areas burned during the reporting period can be obtained by contacting the Water Resources Division/Facilities Section.

E R O S I O N C O N T R O L

LOCATION MAP

[See Appendix F](#)

E R O S I O N C O N T R O L

DEBRIS BASIN - DESIGN DATA:

Including 2004-2005 Storm Season
(Sedimentation Management Unit)

Debris Basin	First Debris Season	Un-controlled Drainage Area Above Basin (Sq. Mi.)	Bottom Elev. at Max Cap. (ft)	Elevation Port Invert (ft)	Elevation Spillway Crest (ft)	Width Spillway	Elevation Crest of Dam	Maximum Debris Capacity (Cu. Yds)
Aliso	1970-71	2.77	1108	1108.4	1120	70	1134	42000 ⁽⁸⁾
Arbor Dell	1971-72	0.11	899	898.4	916	22.9	919.6	15800
Auburn	1954-55	0.19	1260	1260.5	1278	30	1286	39000
Bailey	1945-46	0.6	1123	1123.1	1155	30	1166	129000
Beatty	1970-71	0.27	800	800	807	32	815.5	43000
Big Dalton	1959-60	2.94	1102	1101.9 ⁽³⁾	1132	116	1148.7	518000
Bigbriar	1971-72	0.02	1898	1896	1910	14	1910.8	2600
Blanchard	1968-69	0.47	2026	2026	2054	40	2065	75000
Blue Gum	1968-69	0.19	2020	2020	2042	25	2053	40000
Brace	1971-72	0.29	1190	1189.7	1196	20	1205	30000
Bracemar	1971-72	0.01	1140	1140	1146	8	1148	700 ⁽¹⁴⁾
Bradbury	1954-55	0.68	912	913.1	920	58	928	90000
Brand	1935-36	1.04	860	860	890	60	903	166000
Buena Vista	1985-86	0.1	979	978.7	992	39	997.7	22000
Carriage House	1970-71	0.03	1350	1350	1363	15	1366.8	6100
Carter	1954-55	0.12	1224	1223.2	1248	30	1255	28000
Cassara	1976-77	0.21	1272	1271.5	1292	66	1295.4	37000
Chamberlain	1974-75	0.04	1085	1084	1098	20	1101.3	4700
Chandler	1995-96	0.16	1055	1052	1073	36	1078.3	20000 ⁽¹⁵⁾
Childs	1963-64	0.3	1022	1022	1059	23	1071	50000
Cloud Creek	1972-73	0.01	2350	2350.5	2360	-5	2362	5100
Cloudcroft	1973-74	0.21	314	315	330	36	329.5	35000

FOOTNOTES

- (1) Lowest clear water outlet, not spillway.
- (2) Elevation of spillway notch.
- (3) Flow line of sluiceway.
- (4) Elevation of spillway into outlet channel. Elevation of overflow spillway 1,036.9 feet.
- (5) One 30-inch reinforced concrete pipe.
- (6) Four 36-inch corrugated metal pipes.
- (7) One 36-inch reinforced concrete pipe. (Elevated inlet)
- (8) Debris capacity available within right of way limits.
- (9) Pit-type basin.
- (10) Information unavailable.
- (11) Special cleanout required due to limited storage.
- (12) Cleanout required when debris reaches or exceeds elevation 1128.9 feet against face of dam.
- (13) Values are combined with Cooks debris basin.
- (14) Spillway level storage capacity.
- (15) Data taken from design drawings.
- (16) 7 feet in diameter circular outlet type.
- (17) The maximum capacities have been rounded off with regard to appropriate precision consistent with the assumptions used in the development of Hydrology and Sedimentation Manual.

E R O S I O N C O N T R O L

DEBRIS BASIN - DESIGN DATA:

Including 2004-2005 Storm Season
(Sedimentation Management Unit)

Debris Basin	First Debris Season	Un-controlled Drainage Area Above Basin (Sq. Mi.)	Bottom Elev. at Max Cap. (ft)	Elevation Port Invert (ft)	Elevation Spillway Crest (ft)	Width Spillway	Elevation Crest of Dam	Maximum Debris Capacity (Cu. Yds)
Cooks	1951-52	0.58	2058	2058	2083	48	2092	52000
Cooks M-1A	1975-76	- ¹³	2120	- ¹⁰	2142	- ¹⁰	- ¹⁰	34000
Crescent Glen	2001-2	0.07	1149	1148.9	1171	19.3	1174	21000
Crestview	1983-84	0.03	864	864	886	20	891.7	5900 ⁽¹⁴⁾
Crocker	1983-84	0.67	1064	1064.2	1070	36	1077	19000 ⁽¹⁴⁾
Deer	1954-55	0.59	1185	1185	1201	56	1209.6	57000
Denivelle	1976-77	0.18	1471	1471	1479	46	1483.3	7900
Devonwood	1981-82	0.05	1899	1899	1922	- ¹⁶	1927.5	11000
Dry Canyon-South Fork	1978-79	0.49	1063	1062.5	1075	32	1079.3	7900
Dunsmuir	1935-36	0.84	2228	2227.7	2257	60	2272.2	103000
Eagle	1936-37	0.48	1850	1845.5	1880	60	1895.2	63000
Elmwood	1964-65	0.31	912	911.5	938	22	952	61000
Emerald-East	1964-65	0.15	1185	1181.1	1192	30	1204	13600
Englewild	1961-62	0.44	1275	1275	1297	50	1300	41000
Fair Oaks	1935-36	0.2	1544	1544	1562	- ⁶	1566.5	24000
Fern	1935-36	0.31	1440	1440	1476	25	1482	43000
Fieldbrook	1974-75	0.35	713	713	722	28	728	11100 ⁽¹⁵⁾
Golf Club Drive	1970-71	0.99	881	880.7	902	36.7	915	15000
Gooseberry	1998-99	0.19	1440	1440	1460	25	1469.3	35000
Gordon	1973-74	0.18	1076	1075	1096	22	1104.5	35600
Gould	1947-48	0.36	1530	1528.2	1548	55	1558.3	53000
Gould (Upper)	1976-77	0.18	1864	1863.9	1898	32	1901	52000
Halls	1935-36	0.83	1642	1641.8	1662	131	1664	94000

FOOTNOTES

- (1) Lowest clear water outlet, not spillway.
- (2) Elevation of spillway notch.
- (3) Flow line of sluiceway.
- (4) Elevation of spillway into outlet channel. Elevation of overflow spillway 1,036.9 feet.
- (5) One 30-inch reinforced concrete pipe.
- (6) Four 36-inch corrugated metal pipes.
- (7) One 36-inch reinforced concrete pipe. (Elevated inlet)
- (8) Debris capacity available within right of way limits.
- (9) Pit-type basin.
- (10) Information unavailable.
- (11) Special cleanout required due to limited storage.
- (12) Cleanout required when debris reaches or exceeds elevation 1128.9 feet against face of dam.
- (13) Values are combined with Cooks debris basin.
- (14) Spillway level storage capacity.
- (15) Data taken from design drawings.
- (16) 7 feet in diameter circular outlet type.
- (17) The maximum capacities have been rounded off with regard to appropriate precision consistent with the assumptions used in the development of Hydrology and Sedimentation Manual.

E R O S I O N C O N T R O L

DEBRIS BASIN - DESIGN DATA:

Including 2004-2005 Storm Season
(Sedimentation Management Unit)

Debris Basin	First Debris Season	Un-controlled Drainage Area Above Basin (Sq. Mi.)	Bottom Elev. at Max Cap. (ft)	Elevation Port Invert (ft)	Elevation Spillway Crest (ft)	Width Spillway	Elevation Crest of Dam	Maximum Debris Capacity (Cu. Yds)
Harrow	1958-59	0.43	1255	1255	1269	40	1277.8	68000
Haven Way	1991-92	0.13	1323	1323	1329	20	1335.6	38200
Hay	1936-37	0.2	1890	1890.2	1908	36	1915	37000
Hillcrest	1962-63	0.35	864	863.5	885	18	901	58000
Hog	1969-70	0.32	1520	1520	1535	32	1547	43000
Hook East	1968-69	0.18	1198	1198	1215	37	1222	26000
Hook West	1970-71	0.17	1145	1145	1165	40	1172	36600
Inverness	1982-83	0.03	1253	1252.9	1257	20	1261	3300
Irving Drive	1974-75	0.03	906	905	915	12	920	1200
Kinneloa	1964-65	0.2	1370	1370	1403	76	1407.9	36000 ⁽¹⁵⁾
Kinneloa - West	1966-67	0.19	1385	1385	1413	22	1421	35000
La Tuna	1955-56	5.34	1109	1110	1140	75	1157	495000
Lannan	1954-55	0.25	1017	1015	1036	14	1043	41000
Las Flores	1935-36	0.45	1685	⁻⁹	1716	50	1726.4	56000
Las Lomas	1983-84	0.07	887	887	906	77	908.5	17000
Limekiln	1963-64	3.72	992	992	1003	77	1019	172000
Lincoln	1935-36	0.5	1276	1276	1304	56	1322.5	38000
Linda Vista	1970-71	0.37	980	979.5	990	40	995.7	3200
Little Dalton	1959-60	3.31	1140	1139.5	1186	84	1200.2	661000
Maddock	1954-55	0.26	889	891.8	901	36	904	45000
Marston/Paragon	1988-89	0.2	1456	1455.6	1460	20	1466	5300
May No. 1	1953-54	0.7	1666	1666	1684	60	1692.5	64000
May No. 2	1953-54	0.09	1663	1663.5 ⁽²⁾	1670	20	1674	13000

FOOTNOTES

- (1) Lowest clear water outlet, not spillway.
- (2) Elevation of spillway notch.
- (3) Flow line of sluiceway.
- (4) Elevation of spillway into outlet channel. Elevation of overflow spillway 1,036.9 feet.
- (5) One 30-inch reinforced concrete pipe.
- (6) Four 36-inch corrugated metal pipes.
- (7) One 36-inch reinforced concrete pipe. (Elevated inlet)
- (8) Debris capacity available within right of way limits.
- (9) Pit-type basin.
- (10) Information unavailable.
- (11) Special cleanout required due to limited storage.
- (12) Cleanout required when debris reaches or exceeds elevation 1128.9 feet against face of dam.
- (13) Values are combined with Cooks debris basin.
- (14) Spillway level storage capacity.
- (15) Data taken from design drawings.
- (16) 7 feet in diameter circular outlet type.
- (17) The maximum capacities have been rounded off with regard to appropriate precision consistent with the assumptions used in the development of Hydrology and Sedimentation Manual.

E R O S I O N C O N T R O L

DEBRIS BASIN - DESIGN DATA:

Including 2004-2005 Storm Season
(Sedimentation Management Unit)

Debris Basin	First Debris Season	Un-controlled Drainage Area Above Basin (Sq. Mi.)	Bottom Elev. at Max Cap. (ft)	Elevation Port Invert (ft)	Elevation Spillway Crest (ft)	Width Spillway	Elevation Crest of Dam	Maximum Debris Capacity (Cu. Yds)
Monument	1981-82	0.11	944	942.3	950	12	954	7000
Morgan	1964-65	0.6	1138	1137.9	1162	45	1171.5	78500
Mountbatten	1983-84	0.01	1136	1135.5	1145	20	1146	3300
Mull	1973-74	0.15	1147	1147	1154	20	1165	13000
Mullally (11)	1974-75	0.34	2420	2420	2435	42	2439.6	9400
Nichols	1937-38	0.94	480	481	485	50	495	14000
Oak	1975-76	0.05	2144	2145.7	2153	50	2156.2	13000
Oak Park	2001-02	0.07	1042	1041.5	1060	18.7	1064	15000
Oakglade	1974-75	0.06	1275	1280	1298	20	1304.5	15200
Oakmont View Drive	1984-85	0.02	1316	1315.5	1328	20	1328.5	3400
Oliver	1989-90	0.18	1258	1258	1278	41	1283.3	32000
Pickens	1935-36	1.5	1564	1564	1600	123	1613	125000
Pinelawn	1973-74	0.02	2431	2430.5	2443	-7	2448.5	3200
Rowley	1953-54	0.21	1704	1703.6	1714	60	1722	43000
Rowley (Upper)	1976-77	0.31	1926	1926	1946	42	1951.3	29000
Rubio	1943-44	1.26	1582	1582	1611	66.8	1625.5	150000
Ruby (Lower)	1955-56	0.28	811	809.6	834	45	840	40200
Rye	1981-82	1.11	1074	1073.8	1078	58.2	1081.5	19000
Saddleback	1988-89	0.04	1781	1779.3	1791	23.5	1796.8	16000
Santa Anita	1959-60	1.7	748	748.5 ⁽³⁾	775	160	796	395000
Sawpit	1954-55	2.84	930	930.3	982	110	1000	636000
Scholl	1945-46	0.66	950	950.0 ⁽²⁾	956	76	966	9300
Schoolhouse	1962-63	0.28	1460	1460	1478	20	1491	68000

FOOTNOTES

- (1) Lowest clear water outlet, not spillway.
- (2) Elevation of spillway notch.
- (3) Flow line of sluiceway.
- (4) Elevation of spillway into outlet channel. Elevation of overflow spillway 1,036.9 feet.
- (5) One 30-inch reinforced concrete pipe.
- (6) Four 36-inch corrugated metal pipes.
- (7) One 36-inch reinforced concrete pipe. (Elevated inlet)
- (8) Debris capacity available within right of way limits.
- (9) Pit-type basin.
- (10) Information unavailable.
- (11) Special cleanout required due to limited storage.
- (12) Cleanout required when debris reaches or exceeds elevation 1128.9 feet against face of dam.
- (13) Values are combined with Cooks debris basin.
- (14) Spillway level storage capacity.
- (15) Data taken from design drawings.
- (16) 7 feet in diameter circular outlet type.
- (17) The maximum capacities have been rounded off with regard to appropriate precision consistent with the assumptions used in the development of Hydrology and Sedimentation Manual.

E R O S I O N C O N T R O L

DEBRIS BASIN - DESIGN DATA:

Including 2004-2005 Storm Season
(Sedimentation Management Unit)

Debris Basin	First Debris Season	Un-controlled Drainage Area Above Basin (Sq. Mi.)	Bottom Elev. at Max Cap. (ft)	Elevation Port Invert (ft)	Elevation Spillway Crest (ft)	Width Spillway	Elevation Crest of Dam	Maximum Debris Capacity (Cu. Yds)
Schwartz	1976-77	0.25	1295	1294.7	1313	35	1319	45000
Shields	1937-38	0.06	2050	2050	2058	30	2070.2	20000
Sierra Madre Dam (12)	1927-28	2.39	1120	1119.5	1172	62.5	1175	136000
Sierra Madre Villa	1957-58	1.46	1069	1069.2	1089	48	1102.5	402000
Snover	1936-37	0.21	1863	1862.7	1879	40	1893.7	25000
Sombrero	1969-70	1.06	1540	1540	1565	45	1580	88000
Spinks	1958-59	0.44	750	750	762	40	765.9	56000
Starfall	1973-74	0.13	2428	2428	2442	30	2446.5	15000
Stetson	1969-70	0.29	1556	1555	1570	32	1579	41000
Stough	1940-41	1.65	1006	1005.8	1032 ⁽⁴⁾	100	1043.5	181000
Sturtevant	1967-68	0.03	975	971	984	8	990	1400
Sullivan	1970-71	2.38	570	570	587	50	599.3	51000
Sunnyside	1970-71	0.02	1290	1290	1300	15	1303.8	3400
Sunset (Lower)	1963-64	0.45	1004	994.5	1040	40	1056	159000
Sunset (Upper)	1928-29	0.44	1574	1574	1604	75	1610.1	16000
Sunset Canyon-Deer	1982-83	0.21	1382	1380.5	1402	24	1409.1	5000
Turnbull	1952-53	0.99	476	475.6	492	40	503	22000
Upper Shields	1976-77	0.22	2498	2498	2530	33	2537.2	40000
Verdugo	1935-36	9.4	1110	1110	1120	145	1131	131000
Ward	1956-57	0.12	2022	2022	2043	58	2045.3	26000
West Ravine	1935-36	0.25	1484	1469.6 ⁽¹⁾	1502	20	1505.5	39000
Westridge	1974-75	0.02	894	894	905	10.7	906	2400 ⁽¹⁴⁾
Wildwood	1967-68	0.65	1343	1342.9	1354	50	1360	21000

FOOTNOTES

- (1) Lowest clear water outlet, not spillway.
- (2) Elevation of spillway notch.
- (3) Flow line of sluiceway.
- (4) Elevation of spillway into outlet channel. Elevation of overflow spillway 1,036.9 feet.
- (5) One 30-inch reinforced concrete pipe.
- (6) Four 36-inch corrugated metal pipes.
- (7) One 36-inch reinforced concrete pipe. (Elevated inlet)
- (8) Debris capacity available within right of way limits.
- (9) Pit-type basin.
- (10) Information unavailable.
- (11) Special cleanout required due to limited storage.
- (12) Cleanout required when debris reaches or exceeds elevation 1128.9 feet against face of dam.
- (13) Values are combined with Cooks debris basin.
- (14) Spillway level storage capacity.
- (15) Data taken from design drawings.
- (16) 7 feet in diameter circular outlet type.
- (17) The maximum capacities have been rounded off with regard to appropriate precision consistent with the assumptions used in the development of Hydrology and Sedimentation Manual.

E R O S I O N C O N T R O L

DEBRIS BASIN - DESIGN DATA:

Including 2004-2005 Storm Season
(Sedimentation Management Unit)

Debris Basin	First Debris Season	Un-controlled Drainage Area Above Basin (Sq. Mi.)	Bottom Elev. at Max Cap. (ft)	Elevation Port Invert (ft)	Elevation Spillway Crest (ft)	Width Spillway	Elevation Crest of Dam	Maximum Debris Capacity (Cu. Yds)
William S. Hart Park	1983-84	0.09	1282	1280	1290	19	1293	2400
Wilson	1962-63	2.58	1493	1493	1526	60	1543	313000
Winery	1968-69	0.18	1920	1920	1935	20	1945	29000
Zachau	1956-57	0.35	1803	1803.1	1820	44	1827.5	48000
118 DEBRIS BASINS		75.77						7,907,900

FOOTNOTES

- (1) Lowest clear water outlet, not spillway.
- (2) Elevation of spillway notch.
- (3) Flow line of sluiceway.
- (4) Elevation of spillway into outlet channel. Elevation of overflow spillway 1,036.9 feet.
- (5) One 30-inch reinforced concrete pipe.
- (6) Four 36-inch corrugated metal pipes.
- (7) One 36-inch reinforced concrete pipe. (Elevated inlet)
- (8) Debris capacity available within right of way limits.
- (9) Pit-type basin.
- (10) Information unavailable.
- (11) Special cleanout required due to limited storage.
- (12) Cleanout required when debris reaches or exceeds elevation 1128.9 feet against face of dam.
- (13) Values are combined with Cooks debris basin.
- (14) Spillway level storage capacity.
- (15) Data taken from design drawings.
- (16) 7 feet in diameter circular outlet type.
- (17) The maximum capacities have been rounded off with regard to appropriate precision consistent with the assumptions used in the development of Hydrology and Sedimentation Manual.

WATER CONSERVATION

WATER CONSERVATION

Information presented in this section includes amounts of local, imported, and reclaimed water conserved in spreading areas and information on the seawater barrier projects which prevent salt water intrusion into groundwater zones in the coastal areas. Pertinent data is presented regarding the locations and descriptions of Public Works' water conservation facilities as well as facilities owned by others. Additional data not presented in this report or its appendices can be obtained by contacting the [custodian](#) of hydrologic records.

CONSERVING THE WATERS

In addition to the flood control program, Public Works has the equally important mission of conserving as much of the storm and other waters as practicable. The use of water conservation facilities adjacent to river channels and in soft-bottom channels permits water to percolate into groundwater basins for later pumping. These water spreading facilities are located in areas where the underlying soils are composed of permeable formations and in hydraulic connection with the underlying aquifer.

The various types of water conserved, local, imported, and reclaimed are construed to have the following meanings in this section: Local water is primarily runoff due to rainfall on the mountain and valley watersheds, dam releases, and rising water within the County. Imported water is water originating outside the County either from Northern California or from the Colorado River. Reclaimed water is the effluent produced by the Whittier Narrows Water Reclamation Plant, the San Jose Creek Water Reclamation Plant, and the Pomona Water Reclamation Plant, all operated by the County of Los Angeles Sanitation District. Reclaimed water is also injected at the seawater barriers. Both West Basin and the Department of Water and Power provide tertiary treated water used for direct injection.

The importance of this activity is apparent when it is realized that about 30 to 40 percent of the water used in the County is pumped from groundwater supplies. The growth of the County, combined with periodic droughts, has seriously depleted these supplies on numerous occasions.

Public Works' policy is to conserve the maximum possible amount of storm water consistent with runoff quantity and quality, capacities of the spreading facilities, and groundwater conditions.

IMPORTED WATER

During the reporting period, Public Works received water imported from the Colorado River and the State Water Project by the Metropolitan Water District (MWD) and spread it in the Coastal Plain at Public Works' Rio Hondo and San Gabriel Coastal Spreading Grounds on behalf of the Water Replenishment District of Southern California. MWD water is also spread in the Main San Gabriel Basin, Upper San Gabriel Canyon Basin, and Glendora Basin.

Public Works spreads imported water from MWD and the San Gabriel Valley Municipal Water District (SGVMWD) in the San Gabriel Valley on behalf of, the Upper San Gabriel Valley Municipal Water District, and the Three Valleys Municipal Water District in the following facilities:

- San Gabriel Canyon Spreading Grounds
- Santa Fe Spreading Grounds
- San Gabriel River
- Little Dalton Spreading Grounds
- Forbes Spreading Grounds
- Irwindale Spreading Basin/Manning Pit
- Citrus Spreading Grounds
- Ben Lomond Spreading Grounds
- Valley Rubber Dam Spreading Areas

RECYCLED WATER

The County Sanitation District's Whittier Narrows Water Reclamation Plant effluent purchased by the Water Replenishment District of Southern California is transported to the Rio Hondo and San Gabriel Coastal Basin Spreading Grounds for groundwater replenishment.

The County Sanitation District's San Jose Creek Water Reclamation Plant made its first delivery of effluent in November 1972. The effluent released into San Jose Creek, San Gabriel River, or directly delivered to San Gabriel Coastal Spreading Ground via pipeline can be purchased by the Water Replenishment District of Southern California.

Water from the Pomona Reclamation Plant is released down the San Jose Creek - San Gabriel River System to Public Works' recharge facilities in the Central Basin spreading grounds.

The maximum amount of reclaimed water allowed for spreading in the Montebello Forebay, effective July 1991, is 60,000 acre-feet per year but not to exceed 150,000 acre-feet over a three-year period.

SEAWATER BARRIER PROJECTS

WATER CONSERVATION

Public Works operates three barrier projects to protect the groundwater in the West Coast and Central Basins against seawater intrusion by creating freshwater pressure ridges along the coastline. The pressure ridges are created by injecting freshwater through a series of injection wells. The amounts of water injected by these wells during the reporting period are as follows:

Facility	Imported Water (Acre-Feet)	Recycled Water (Acre-Feet)
Alamitos Barrier Project: Los Angeles Portion Orange County Portion*	2,862 1,678	0 0
Dominguez Gap Barrier Project	8,547	0
West Coast Basin Barrier Project	4,439	3,919

*Injected on behalf of the Orange County Water District .

SEASONAL DATA AND MAPS

During the reporting period, weekly, monthly, and semi-annual measurements of groundwater levels in observation wells located throughout the groundwater basins in the County of Los Angeles were made and processed.

Locations of the key wells noted herein are shown on the well map in the Water Conservation Summary section. Historical key well level data can be downloaded as [ASCII](#) file or from the pull down selection in the Water Conservation Summary section.

Static groundwater elevation contour maps for the three major groundwater regions in the County of Los Angeles are available from the local basin water agencies:

Groundwater Basin	Contact
Upper Los Angeles River Area (San Fernando Valley)	Upper Los Angeles River Watermaster P.O. Box 111, Room 1455 Los Angeles, CA 90051 (213) 367-1020 (213) 367-1131 (FAX)
San Gabriel Valley	Main San Gabriel Basin Watermaster 729 North Azusa Avenue Azusa, CA 91702 (626) 815-1300 (626) 815-1303 (FAX)
Coastal Plain	Water Replenishment District of Southern California 12621 East 166th Street Cerritos, CA 90703 (562) 921-5521 (562) 921-6101 (FAX)

GROUNDWATER BASINS AND GROUNDWATER RECHARGE

Groundwater in the County of Los Angeles is stored in basins underlying five major geographic areas. These groundwater basins are separated by geologic features which impede groundwater movement or by political boundaries. A map of these groundwater basins and Public Works' spreading grounds is available upon request from Public Works. General spreading grounds facility information is included in the summary section. Monthly water conservation data for the reporting period at Public Works' facilities and other pertinent facilities are included in the Water Conservation Summary section of this report. The monthly imported and recycled water deliveries for the reporting period are also included in the Water Conservation Summary section. The following is a background summary of Public Works' groundwater recharge activities within each of these major areas:

COUNTY-WIDE

Public Works operates 2,436 acres of spreading grounds and soft-bottom channel spreading areas for replenishment of local groundwater supplies. Public Works also assisted in the operation and maintenance of 269 acres of spreading

WATER CONSERVATION

grounds owned by others. An additional 656 acres of spreading grounds are controlled maintained and operated by other agencies. The total gross acreage of spreading grounds in the County of Los Angeles is 3,361 acres.

Groundwater replenishment consists of storm runoff, imported water, and recycled water. Countywide, Public Works spread the following amounts during the reporting period:

County Rainfall Index (% of Normal)	242 *
Storm Runoff (acre-feet)	662,862
Imported Water (acre-feet)	53,103
Recycled Water (acre-feet)	29,503

Public Works is continuing its efforts to improve its water spreading facilities in order to maximize the amounts of water conserved and to simplify the spreading operations.

SAN GABRIEL VALLEY

Public Works operates 20 spreading facilities in the San Gabriel Valley that receive direct valley runoff and flows from the San Gabriel Mountains. Some of these facilities can also receive imported water. Valley wide, Public Works spread the following amounts during the reporting period:

Storm Runoff (acre-feet)	437,531
Imported Water (acre-feet)	27,806
Diversions to Grounds Owned by Others (acre-feet)	10,743

Public Works' spreading grounds replenished the Valley's several groundwater basins as follows:

	Storm Water (acre-feet)	Imported Water (acre-feet)	Key Wells
Main San Gabriel Basin	302,952	8,238	3030F, 2965C
Upper San Gabriel Canyon Basin	20,864	10,166	4284A
Lower San Gabriel Canyon Basin	2,440	0	4285
Wayhill Basin	662	965	
Foothill Basin	2,455	0	
Glendora Basin	1,778	0	
Claremont Heights Basin	0	0	4508A, 4508B
Live Oak Basin	0	0	
Chino Basin	0	0	
San Dimas Basin	1,660	0	
Pomona Basin	0	0	3251E, 3261P, 4469A
Puente and Spadra Basins	0	0	
Raymond Basin	11,450	0	4057H

COASTAL PLAIN

The groundwater basins underlying the Coastal Plain are divided by geological features into the Central (includes the Montebello and Los Angeles Forebays), West Coast, Santa Monica, and Hollywood Basins. Most of the water is spread in

WATER CONSERVATION

the Montebello Forebay. Public Works spread the following amounts in the Coastal Plain during the reporting period:

Storm Runoff (acre-feet)	111,531
Imported Water (acre-feet)	25,296
Recycled Water (acre-feet)	29,503

Central Basin

The Central Basin has the most storage capacity of the basins in the Coastal Plain. In addition to the water recharged in Public Works' spreading facilities, water injected in the Alamitos Barrier Project also contributes to the replenishment of the pressure aquifers underlying the Central Basin. The basin contains Key Well Nos. 460K, 1601T, and 906D.

West Coast Basin

The West Coast basin is the second largest basin underlying the Coastal Plain and is separated by the Newport-Inglewood Fault zone. Groundwater is primarily recharged by Central Basin subsurface flows and by water injected by Public Works in the West Coast Basin and Dominguez Gap Barrier Projects. Groundwater elevations in the West Coast basin are below sea level except in the area of the West Coast Basin Barrier injection mound. The basin contains Key Well Nos. 1346D and 760C.

Santa Monica and Hollywood Basins

Public Works has no spreading facilities in either of these basins.

SAN FERNANDO VALLEY

The San Fernando Valley is also known as the Upper Los Angeles River Area (ULARA). Most of the runoff from the surrounding mountains flows to the Valley. The Valley comprises of four basins:

San Fernando Main Basin

The basin is the largest basin underlying the San Fernando Valley. The basin contains Key Well Nos. 3872H and 4709. Public Works spread the following during the reporting period:

Storm Runoff (acre-feet)	113,800
Imported Water (acre-feet)	0
Recycled Water (acre-feet)	0

Sylmar, Verdugo, and Eagle Rock Basins

Public Works has no spreading facilities in these much smaller basins.

SANTA CLARITA VALLEY

Public Works has no spreading facilities in the area. Much of the Valley is open space, permitting substantial natural percolation. The Upper Santa Clarita subunit comprises five basins.

ANTELOPE VALLEY

There are several groundwater subbasins underlying the Antelope Valley. Five of them are located within the County of Los Angeles.

Public Works operates no spreading facilities in the Antelope Valley.

Key Well Nos. 9974 and 8825 are located in the Lancaster and Little Rock subbasins, respectively.

WATER CONSERVATION

SUMMARY

SPREADING FACILITIES OWNED AND OPERATED BY THE DEPARTMENT

[See Appendix G](#)

NON DPW FACILITIES

[See Appendix H](#)

TOTAL MONTHLY WATER CONSERVED

[See Appendix I](#)

IMPORTED WATER OUTLET RELEASES

[See Appendix J](#)

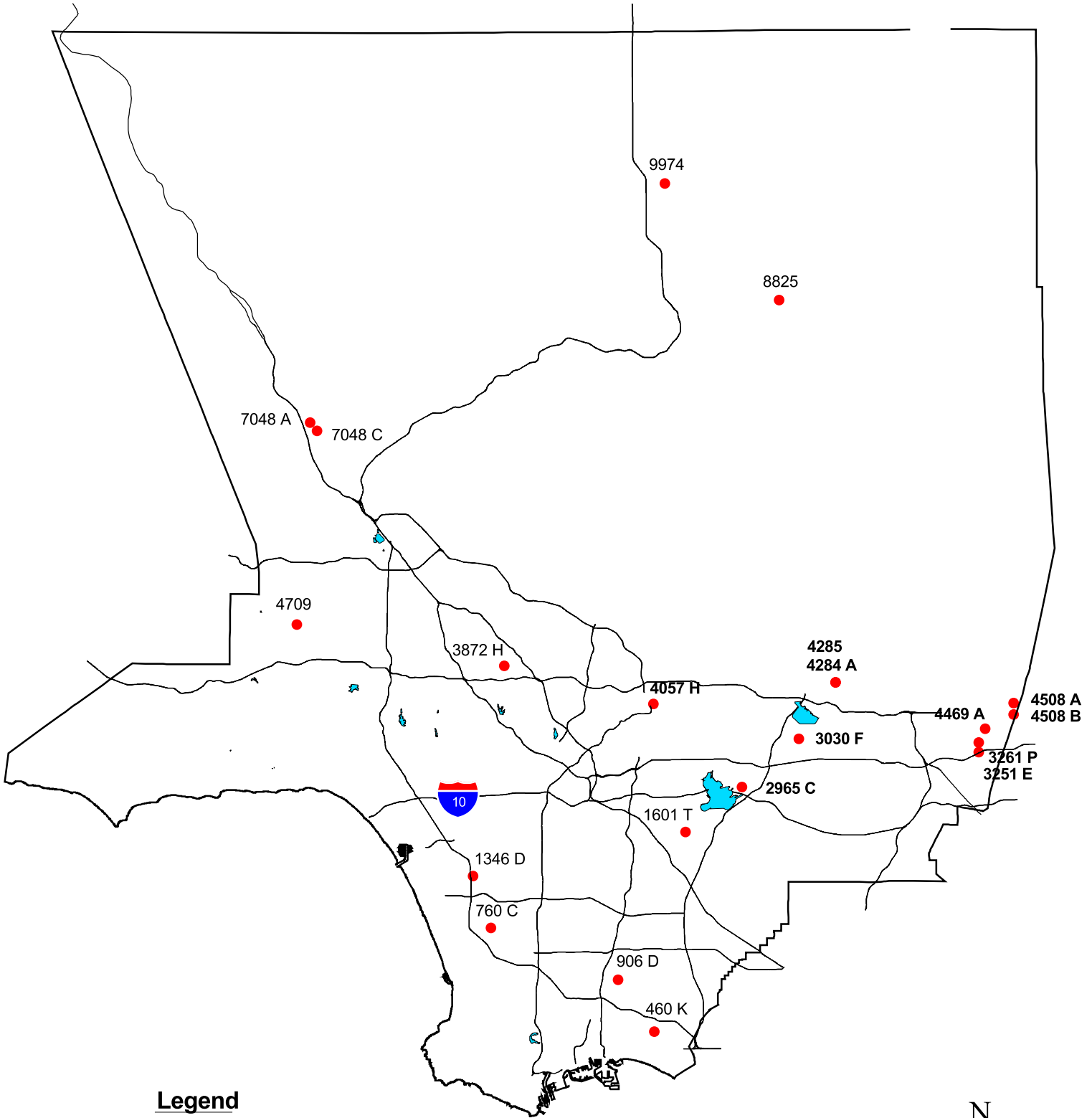
RECLAIMED WATER

[See Appendix K](#)

GROUND WATER FLUCTUATION

[See Appendix L](#)

Location	Appendix L
Coastal Plain, City of Long Beach	Appendix L 01
Coastal Plain	Appendix L 02
Coastal Plain, City of Long Beach	Appendix L 03
Central Basin	Appendix L 04
Main San Gabriel Basin	Appendix L 05
Main San Gabriel Basin, Baldwin Park	Appendix L 06
Pomona Basin	Appendix L 07
San Fernando Valley, Canoga Park	Appendix L 08
San Fernando Valley, Burbank	Appendix L 09
Raymond Basin	Appendix L 10
San Gabriel Canyon Basin, North of Azusa	Appendix L 11
Upper Claremont Heights	Appendix L 12
Santa Clarita Valley, Near Castaic Junction	Appendix L 13
Little Rock, South of Palmdale	Appendix L 14
Antelope Valley, South of Lancaster	Appendix L 15



Legend

● Keywell Location



Not to scale

APPENDIX A

HYDROLOGIC REPORT 2004 –2005

PRECIPITATION – DAILY RAINFALL SUMMARY

PRECIPITATION

DAILY RAINFALL SUMMARY

5B Calabasas

Gage Type: Standard 8 inch diameter (DPW)

Observation Time: 800

Latitude 34-09-24

Longitude: 118-38-14

Elevation: 924 Feet

Water Year from 10/01/2004 to 09/30/2005

Day	Oct	Nov	Dec	Jan	Feb	Mar	Apr	May	Jun	Jul	Aug	Sep
1												
2				0.18								
3				2.80								
4				0.10		0.15	0.02					
5			0.83					0.13				
6			0.03									
7			0.10	1.56								
8			0.18	1.40								
9				3.60				0.13				
10				1.64								
11					2.50							
12	T				0.38							
13												
14												
15												
16												
17	0.53				0.29							
18	0.17				3.25	0.16						
19	0.18				1.35	0.17						
20	2.22				1.00							0.09
21		0.11			5.10							
22					1.47	0.77						
23					0.36	0.30						
24												
25												
26	0.26			0.09								
27	2.53		0.60									
28			7.00	0.50	0.02	0.05	0.94					
29			1.58									
30												
31			1.16									
Totals	5.89	0.11	11.48	11.87	15.72	1.60	0.96	0.26	0.00	0.00	0.00	0.09
												Water Year Total: 47.98

NOTE: All Values are in units of inches, unless otherwise specified.

LEGEND: A - Acculated Total
 E - Estimated
 T - Trace, unmeasurable amount of rain

Data Revised: July 2011

PRECIPITATION

DAILY RAINFALL SUMMARY

11D Upper Franklin Canyon Reservoir

Gage Type: Standard 8 inch diameter

Observation Time: 800

Latitude 34-07-10

Longitude: 118-24-35

Elevation: 867 Feet

Water Year from 10/01/2004 to 09/30/2005

Day	Oct	Nov	Dec	Jan	Feb	Mar	Apr	May	Jun	Jul	Aug	Sep
1				0.93								
2				0.02								
3				2.39		0.15						
4				0.17		0.13						
5			0.20	0.07		0.15						
6			0.49					0.32				
7				0.24	0.02							
8		0.01	0.12	3.75								
9		0.03		4.05				0.12				
10				4.58				0.05				
11				1.38	1.32							
12				0.04	1.72	0.01						
13		0.01										
14												
15												
16												
17	0.85											
18	0.18				1.07							
19	0.24				1.67	0.14						
20	3.96				1.79	0.06						0.09
21	0.54	0.26			4.46							0.04
22					0.78							
23					1.12	2.34						
24						0.33	0.03					
25												
26	0.02			0.02	0.03							
27	2.10		0.09									
28	0.09	0.13	3.91	0.39		0.06	1.58					
29			2.42	0.07				0.01				
30			0.05									
31			0.72									
Totals	7.98	0.44	8.00	18.10	13.98	3.37	1.61	0.50	0.00	0.00	0.00	0.13
Water Year Total:												54.11

NOTE: All Values are in units of inches, unless otherwise specified.

LEGEND: A - Acculated Total

E - Estimated

T - Trace, unmeasurable amount of rain

Data Revised: July 2011

PRECIPITATION

DAILY RAINFALL SUMMARY

13C North Hollywood-Lakeside

Gage Type: Standard 8 inch diameter (DPW)

Observation Time: 800

Latitude 34-08-46

Longitude: 118-21-13

Elevation: 550 Feet

Water Year from 10/01/2004 to 09/30/2005

Day	Oct	Nov	Dec	Jan	Feb	Mar	Apr	May	Jun	Jul	Aug	Sep
1				1.30								
2												
3				1.80		0.22						
4			0.22	0.39		0.12						
5			0.50			1.31						
6								0.10				
7				0.13								
8			0.04	2.55								
9		0.05		4.37								
10				3.36								
11				2.03	1.05							
12					1.40							
13		0.02										
14												
15												
16												
17	0.40											
18	0.40				0.70							
19	0.35				1.85	0.22						
20	4.00				3.15	0.05						
21	0.67	0.40			2.75							0.27
22					0.86							
23					1.28	1.98						
24							0.10					
25					0.04							
26				0.02								
27	2.20		0.05	0.02								
28	0.05		2.10	0.40		0.03	1.40					
29			4.10			0.08						
30			0.97									
31			0.12									
Totals	8.07	0.47	8.10	16.37	13.08	4.01	1.50	0.10	0.00	0.00	0.00	0.27
											Water Year Total:	51.97

NOTE: All Values are in units of inches, unless otherwise specified.

LEGEND: A - Acculated Total

E - Estimated

T - Trace, unmeasurable amount of rain

Data Revised: July 2011

PRECIPITATION

DAILY RAINFALL SUMMARY

20B Girard Reservoir

Gage Type: Standard 8 inch diameter

Observation Time: 800

Latitude 34-09-07

Longitude: 118-36-36

Elevation: 986 Feet

Water Year from 10/01/2004 to 09/30/2005

Day	Oct	Nov	Dec	Jan	Feb	Mar	Apr	May	Jun	Jul	Aug	Sep
1						0.04						
2												
3				2.44		0.05						
4				0.16		0.23						
5						0.04						
6			0.75					0.20				
7			0.05	0.86				T				
8			0.33	1.88								
9			0.04	3.50				0.05				
10				2.42				0.06				
11				1.24	1.75							
12					1.25							
13												
14						0.04						
15												
16												
17	0.55											
18	0.16				2.70							
19	0.29				2.58	0.28						
20	3.15				0.54	0.10						0.12
21		0.13			3.85							
22					0.94							
23					1.52	1.02						
24					0.03		T					
25												
26					0.08							
27	2.90		0.15	0.11								0.02
28	0.20	0.07	5.62	0.33		0.03	1.16					
29			1.83	0.23			0.01					
30			0.12									
31			1.62									
Totals	7.25	0.20	10.51	13.17	15.24	1.83	1.17	0.31	0.00	0.00	0.00	0.14
												Water Year Total: 49.82

NOTE: All Values are in units of inches, unless otherwise specified.

LEGEND: A - Acculated Total

E - Estimated

T - Trace, unmeasurable amount of rain

Data Revised: July 2011

PRECIPITATION

DAILY RAINFALL SUMMARY

21B Woodland Hills

Gage Type: Standard 8 inch diameter (DPW)

Observation Time: 800

Latitude 34-10-14

Longitude: 118-35-33

Elevation: 875 Feet

Water Year from 10/01/2004 to 09/30/2005

Day	Oct	Nov	Dec	Jan	Feb	Mar	Apr	May	Jun	Jul	Aug	Sep
1												
2				0.14		0.02						
3				1.97		0.02						
4				0.05		0.42						
5			0.60			0.03		0.10				
6					0.01							
7		0.02	0.05	1.63								
8			0.19	0.82								
9				3.18				0.11				
10				1.37								
11		0.01			2.25							
12					0.32							
13						0.01						
14												
15												
16												
17	0.52				0.28							
18	0.25				1.91	0.16						
19	0.10				1.90	0.14						
20	2.34				0.86	0.02						0.08
21		0.22			3.41							
22					1.30	0.48						
23					0.50	0.22						
24												
25	0.03				0.09							
26	0.26			0.03								0.06
27	1.96	0.03	0.23									
28	0.13		2.95	0.47		0.05	0.91					
29			2.48									
30			0.02									
31			1.00									
Totals	5.59	0.28	7.52	9.66	12.83	1.57	0.91	0.21	0.00	0.00	0.00	0.14
												Water Year Total: 38.71

NOTE: All Values are in units of inches, unless otherwise specified.

LEGEND: A - Acculated Total

E - Estimated

T - Trace, unmeasurable amount of rain

Data Revised: July 2011

PRECIPITATION

DAILY RAINFALL SUMMARY

23B Chatsworth Reservoir

Gage Type: Standard 8 inch diameter

Observation Time: 800

Latitude 34-13-44

Longitude: 118-37-18

Elevation: 900 Feet

Water Year from 10/01/2004 to 09/30/2005

Day	Oct	Nov	Dec	Jan	Feb	Mar	Apr	May	Jun	Jul	Aug	Sep
1												
2				0.54								
3				0.15								
4				0.56		0.39						
5			0.41					0.06				
6												
7		0.01	0.26	1.75								
8			0.04	1.20								
9				2.84				0.12				
10				1.45								
11				0.20	2.40	0.01						
12					0.07							
13		0.01										
14												
15												
16	0.02											
17	1.16				0.36							
18	0.20				1.91	0.18						
19	0.95				1.60	0.18						
20	0.58	0.48			1.70	0.03						0.05
21					1.19							
22					1.68	0.99						
23					0.08							
24												
25												
26	1.64		0.02	0.07								
27	0.41	0.10	0.69	0.01								
28			0.70	0.47		0.04	0.96					
29												
30												
31												
Totals	4.96	0.60	2.12	9.24	10.99	1.82	0.96	0.18	0.00	0.00	0.00	0.05
												Water Year Total: 30.92

NOTE: All Values are in units of inches, unless otherwise specified.

LEGEND: A - Acculated Total

E - Estimated

T - Trace, unmeasurable amount of rain

Data Revised: July 2011

PRECIPITATION

DAILY RAINFALL SUMMARY

25C Northridge-L.A.D.W.P.

Gage Type: Standard 8 inch diameter

Observation Time: 800

Latitude 34-13-52

Longitude: 118-32-28

Elevation: 810 Feet

Water Year from 10/01/2004 to 09/30/2005

Day	Oct	Nov	Dec	Jan	Feb	Mar	Apr	May	Jun	Jul	Aug	Sep
1												
2				0.51								
3				0.09		0.14						
4				0.60		0.23						
5			0.39			0.20						
6					0.05			0.06				
7		0.02	0.20	1.75								
8		0.02	0.04	1.20								
9				2.84								
10				1.45				0.14				
11				0.20								
12												
13		0.02										
14		0.04										
15						0.29						
16	0.08											
17	0.77				0.49							
18	0.27				1.39							
19	0.94				1.87	0.16						
20	0.91	0.27			2.21	0.15						0.02
21					1.43	0.02						0.09
22					1.29							
23					0.12	0.87						
24												
25					0.09							
26	1.62			0.04								
27	0.67	0.09	1.23									
28	0.01	0.17	3.95	0.54		0.06	0.21					
29			0.95			0.04						
30												
31			0.93									
Totals	5.27	0.63	7.69	9.22	8.94	2.16	0.21	0.20	0.00	0.00	0.00	0.11
												Water Year Total: 34.43

NOTE: All Values are in units of inches, unless otherwise specified.

LEGEND: A - Acculated Total
 E - Estimated
 T - Trace, unmeasurable amount of rain

Data Revised: July 2011

PRECIPITATION

DAILY RAINFALL SUMMARY

33A Pacoima Dam

Gage Type: Standard 8 inch diameter (DPW)

Observation Time: 800

Latitude 34-19-48

Longitude: 118-23-59

Elevation: 1500 Feet

Water Year from 10/01/2004 to 09/30/2005

Day	Oct	Nov	Dec	Jan	Feb	Mar	Apr	May	Jun	Jul	Aug	Sep
1												
2				0.68								
3				1.26		0.24						
4				0.62		0.18						
5			0.16			0.37		0.04				
6			0.04			T		0.20				
7				0.10	0.07			T				
8			0.11	1.62								
9		0.01	T	2.55								
10				3.55				0.23				
11				1.97	1.03							
12					1.43							
13		T			T	T						
14						0.06						
15											0.02	
16												
17	0.56											
18	0.27				0.81							
19	0.62				1.41	0.23	0.01					
20	2.87				1.79	0.45						
21	0.05	0.01			2.36							
22					1.09							0.12
23					1.06	1.43	T					
24					0.01							
25												
26				0.02	0.10							
27	1.78		0.02	0.68	T							
28	0.26	0.12	1.53			0.06	0.70					
29			2.86	0.47		0.02	T					
30			0.27					T				
31			0.04									
Totals	6.41	0.14	5.03	13.52	11.16	3.04	0.71	0.47	0.00	0.00	0.02	0.12
	Water Year Total:											40.62

NOTE: All Values are in units of inches, unless otherwise specified.

LEGEND: A - Acculated Total

E - Estimated

T - Trace, unmeasurable amount of rain

Data Revised: July 2011

PRECIPITATION

DAILY RAINFALL SUMMARY

42C Redondo Beach-City Hall

Gage Type: Standard 8 inch diameter

Observation Time: 800

Latitude 33-50-43

Longitude: 118-23-20

Elevation: 70 Feet

Water Year from 10/01/2004 to 09/30/2005

Day	Oct	Nov	Dec	Jan	Feb	Mar	Apr	May	Jun	Jul	Aug	Sep
1												
2				0.48		0.06						
3				0.80								
4				0.09		0.15						
5			0.68									
6								0.01				
7		0.02	0.17	1.05								
8		0.01	0.06	0.24								
9				1.85				0.06				
10				0.48	0.02							
11				0.08	2.22							
12					0.19							
13		0.01										
14												
15												
16	0.21											
17	0.68				0.32							
18	0.09				0.51	0.16						
19	0.38				1.87	0.04						
20	1.26				0.95	0.02						0.26
21		0.21			0.65							
22					1.43	0.49	0.03					
23					0.04							
24							0.10					
25												
26	1.10			0.13								
27	0.31	0.12	0.24									
28	0.06		4.04	0.56		0.06	0.83					
29			0.50									
30												
31			0.35									
Totals	4.09	0.37	6.04	5.76	8.20	0.98	0.96	0.07	0.00	0.00	0.00	0.26
												Water Year Total: 26.73

NOTE: All Values are in units of inches, unless otherwise specified.

LEGEND: A - Acculated Total
 E - Estimated
 T - Trace, unmeasurable amount of rain

Data Revised: July 2011

PRECIPITATION

DAILY RAINFALL SUMMARY

43D Palos Verdes Estates

Gage Type: Standard 8 inch diameter (DPW)

Observation Time: 800

Latitude 33-47-58

Longitude: 118-23-29

Elevation: 216 Feet

Water Year from 10/01/2004 to 09/30/2005

Day	Oct	Nov	Dec	Jan	Feb	Mar	Apr	May	Jun	Jul	Aug	Sep
1							T					
2						T						
3				1.31								
4				0.12								
5			0.86					T				
6								0.07				
7		0.04		1.27								
8		T	0.28	0.39								
9				1.87								
10				1.22								
11				0.31	1.76							
12					0.87							
13		0.03										
14												
15												
16												
17	0.62											
18	0.02				0.98							
19					2.71	0.43						
20	1.96					0.09						0.33
21	0.05	0.34			1.60							
22					0.70							
23					1.26	0.68						
24						0.02	0.21					
25	T											
26				0.13								
27	1.55											
28	0.16	0.12	2.31	0.53		0.08	1.08					
29			1.68									
30												
31			0.55									
Totals	4.36	0.53	5.68	7.15	9.88	1.30	1.29	0.07	0.00	0.00	0.00	0.33
												Water Year Total: 30.59

NOTE: All Values are in units of inches, unless otherwise specified.

LEGEND: A - Acculated Total
 E - Estimated
 T - Trace, unmeasurable amount of rain

Data Revised: July 2011

PRECIPITATION

DAILY RAINFALL SUMMARY

46D Big Tujunga Dam

Gage Type: Standard 8 inch diameter (DPW)

Observation Time: 800

Latitude 34-17-40

Longitude: 118-11-14

Elevation: 2315 Feet

Water Year from 10/01/2004 to 09/30/2005

Day	Oct	Nov	Dec	Jan	Feb	Mar	Apr	May	Jun	Jul	Aug	Sep
1				1.02		T						
2												
3				1.40		0.07						
4		0.04		0.51		0.18						
5			0.45	0.05		0.55		0.07				
6			0.28					0.90				
7			0.02	0.15	0.03							
8		0.05	0.04	3.60	0.02							
9		0.07		5.36								
10				2.75				0.07				
11				2.80	0.98							
12		T			1.27							
13					0.03							
14												
15											T	
16												
17	0.99											
18	0.14				0.70							
19	0.44					2.00	0.46					
20	4.90					2.37	0.14					0.13
21	0.82	0.05				3.00						0.38
22		T				1.25						
23						1.17	1.55					
24						T		0.03				
25							0.03					
26				0.06	0.34							
27	3.86			0.26								
28	1.05	0.21	2.40					0.87				
29			3.55	0.54				0.26				
30			2.45									
31			0.37									
Totals	12.20	0.42	9.56	18.50	13.16	2.98	1.16	1.04	0.00	0.00	0.00	0.51
												Water Year Total: 59.53

NOTE: All Values are in units of inches, unless otherwise specified.

LEGEND: A - Acculated Total

E - Estimated

T - Trace, unmeasurable amount of rain

Data Revised: July 2011

A - 11

PRECIPITATION

DAILY RAINFALL SUMMARY

63C Santa Anita Dam

Gage Type: Standard 8 inch diameter (DPW)

Observation Time: 800

Latitude 34-11-03

Longitude: 118-01-12

Elevation: 1400 Feet

Water Year from 10/01/2004 to 09/30/2005

Day	Oct	Nov	Dec	Jan	Feb	Mar	Apr	May	Jun	Jul	Aug	Sep
1				0.82								
2												
3				1.02		0.44						
4				0.51		0.25	0.01					
5			0.09	0.15		0.91		0.14				
6			0.30	T		T		0.60				
7			0.01	0.13	0.16			0.01				
8		0.01	0.06	2.29	0.03							
9		0.07	T	5.80								
10				5.89				0.02				
11				4.46	1.10							
12					2.19							
13					T	0.01						
14						0.05						
15												
16												
17	0.86							0.01				
18	0.38				0.59							
19	0.62				3.55	0.42	0.02					
20	4.52	1.86			1.96	0.11	T					0.04
21	1.20				3.80							0.25
22					1.40							
23					1.35	1.25						
24					T	0.03	0.02					
25					T	0.01	0.01					
26	0.10			0.06	T							
27	2.60			0.33			T					
28	0.25	0.58	2.46	T	0.03	0.02	0.99					
29			2.56	0.32			0.01					
30			0.88					0.03				
31			0.28									
Totals	10.53	2.52	6.64	21.78	16.16	3.50	1.06	0.81	0.00	0.00	0.00	0.29
												Water Year Total: 63.29

NOTE: All Values are in units of inches, unless otherwise specified.

LEGEND: A - Acculated Total

E - Estimated

T - Trace, unmeasurable amount of rain

Data Revised: July 2011

PRECIPITATION

DAILY RAINFALL SUMMARY

82F **Table Mountain**

Gage Type: Standard 8 inch diameter (DPW)

Observation Time: 800

Latitude 34-22-56

Longitude: 117-40-39

Elevation: 7420 Feet

Water Year from 10/01/2004 to 09/30/2005

Day	Oct	Nov	Dec	Jan	Feb	Mar	Apr	May	Jun	Jul	Aug	Sep
1												
2												
3				3.74								
4				0.04		A						
5						A						
6			0.22			0.36A						
7				0.74	T							
8				0.35								
9				0.59								
10				0.24	A							
11					1.77A							
12												
13												
14												
15											0.02	
16												
17	0.30E											
18	0.11E				0.94E	T						
19	1.78E				2.08E							
20	1.45E	A			1.41E					T		0.70
21		A			2.32E	T						
22		2.75A			0.93E							
23					0.32E							
24	A											
25	1.50A											
26												
27												
28			1.92	0.31								
29			1.25				0.22					
30			0.04									
31												
Totals	5.14	2.75	3.43	6.01	9.77	0.36	0.22	0.00	0.00	0.00	0.02	0.70
												Water Year Total: 28.40

NOTE: All Values are in units of inches, unless otherwise specified.

LEGEND: A - Acculated Total

 E - Estimated

 T - Trace, unmeasurable amount of rain

Data Revised: July 2011

PRECIPITATION

DAILY RAINFALL SUMMARY

89B San Dimas Dam

Gage Type: Standard 8 inch diameter (DPW)

Observation Time: 800

Latitude 34-09-10

Longitude: 117-46-17

Elevation: 1350 Feet

Water Year from 10/01/2004 to 09/30/2005

Day	Oct	Nov	Dec	Jan	Feb	Mar	Apr	May	Jun	Jul	Aug	Sep
1				0.85								
2				0.02								
3				0.33		0.13			0.02			
4		0.03		0.26		0.14	T					
5			0.09	0.02		0.34		0.04				
6			0.20					1.50				
7			0.01	0.14	0.14			0.04				
8			0.11	2.47	0.11			T				
9		0.20	0.01	4.73								
10				4.50				T				
11				4.39	1.12							
12		T		0.02	2.50							
13						T						
14						0.01						
15											0.02	
16												
17	1.17											
18	0.40				0.50							
19	0.51				2.80	0.36	0.11					
20	3.07				1.68	0.22	0.02					0.22
21	1.02	1.09			2.13							0.40
22					1.62							
23					1.79	1.12	0.01					
24					0.02	0.04	0.22					
25				0.04		0.03	0.05					
26				0.04								
27	2.67			0.50	0.27							
28	0.33	0.53	0.88				0.89					
29			2.11	0.42		0.01	0.05					
30			0.81									
31			0.26									
Totals	9.17	1.85	4.48	18.73	14.68	2.40	1.35	1.58	0.02	0.00	0.02	0.62
												Water Year Total: 54.90

NOTE: All Values are in units of inches, unless otherwise specified.

LEGEND: A - Acculated Total

E - Estimated

T - Trace, unmeasurable amount of rain

Data Revised: July 2011

PRECIPITATION

DAILY RAINFALL SUMMARY

93C Claremont-Police Station

Gage Type: Standard 8 inch diameter (DPW)

Observation Time: 800

Latitude 34-05-45

Longitude: 117-43-18

Elevation: 1170 Feet

Water Year from 10/01/2004 to 09/30/2005

Day	Oct	Nov	Dec	Jan	Feb	Mar	Apr	May	Jun	Jul	Aug	Sep
1												
2				0.21								
3				0.51								
4				0.23		0.30						
5			0.22		0.01							
6			0.04		0.01			0.22				
7				0.52								
8			0.07	1.42								
9		0.06		2.03								
10				2.50								
11				0.90	1.15							
12					1.66							
13												
14												
15												
16												
17	0.81				0.28							
18	0.37				0.55	0.14						
19	0.72				1.38	0.35						
20	1.47				1.41	0.13						0.16
21	1.21	1.32			1.43							
22					1.49	0.12						
23					1.50	0.83						
24					0.40	0.77	0.07					
25				0.05								
26				0.22								
27	2.17	0.17										
28	0.70	0.45	1.00	0.20			1.01					
29			2.08									
30			0.16									
31			0.67									
Totals	7.45	2.00	4.24	8.79	11.27	2.64	1.08	0.22	0.00	0.00	0.00	0.16
												Water Year Total: 37.85

NOTE: All Values are in units of inches, unless otherwise specified.

LEGEND: A - Acculated Total
 E - Estimated
 T - Trace, unmeasurable amount of rain

Data Revised: July 2011

PRECIPITATION

DAILY RAINFALL SUMMARY

95 San Dimas-Fire Warden

Gage Type: Standard 8 inch diameter (DPW)

Observation Time: 800

Latitude 34-06-26

Longitude: 117-48-19

Elevation: 955 Feet

Water Year from 10/01/2004 to 09/30/2005

Day	Oct	Nov	Dec	Jan	Feb	Mar	Apr	May	Jun	Jul	Aug	Sep
1												
2												
3												
4				0.60		0.33						
5												
6			0.24	0.08				0.43				
7			0.08									
8												
9				5.76	0.07							
10				2.41								
11				1.85								
12		0.26			2.60							
13												
14												
15												
16												
17												
18	0.78											
19	0.12				3.90	0.20						
20												0.16
21					3.11							
22		1.00										
23					2.22	2.10						
24	4.00											
25							0.12					
26												
27	3.25											
28		0.51		0.23		0.03						
29			2.98				1.00					
30			0.85	0.30								
31			1.08									
Totals	8.15	1.77	5.23	11.23	11.90	2.66	1.12	0.43	0.00	0.00	0.00	0.16
												Water Year Total: 42.65

NOTE: All Values are in units of inches, unless otherwise specified.

LEGEND: A - Acculated Total
 E - Estimated
 T - Trace, unmeasurable amount of rain

Data Revised: July 2011

PRECIPITATION

DAILY RAINFALL SUMMARY

96C **Puddingstone Dam**

Gage Type: Standard 8 inch diameter (DPW)

Observation Time: 800

Latitude 34-05-31

Longitude: 117-48-24

Elevation: 1030 Feet

Water Year from 10/01/2004 to 09/30/2005

Day	Oct	Nov	Dec	Jan	Feb	Mar	Apr	May	Jun	Jul	Aug	Sep
1				1.00								
2												
3				0.35		0.09						
4		0.03		0.31		0.02						
5			0.07	0.12		0.37		0.03				
6			0.19					0.32				
7			0.01	0.25	0.05							
8		T	0.10	2.36	0.01							
9		0.26	T	3.03								
10				2.11								
11				1.85	1.00							
12					1.25							
13					T							
14						0.06						
15											0.02	
16												
17	0.67											
18	0.63				0.38							
19	0.58				2.90	0.25						
20	2.88				1.17	0.18						0.18
21	1.18	1.02			2.32							0.37
22					1.43							
23					1.36	1.57						
24					0.02							
25												
26				0.02								
27	2.35			0.19			0.05					
28	0.18	0.47	0.80			T	0.99					
29			2.20	0.30			0.02					
30			0.91	0.29								
31			1.00									
Totals	8.47	1.78	5.28	12.18	11.89	2.54	1.06	0.35	0.00	0.00	0.02	0.55
												Water Year Total: 44.12

NOTE: All Values are in units of inches, unless otherwise specified.

LEGEND: A - Acculated Total

 E - Estimated

 T - Trace, unmeasurable amount of rain

Data Revised: July 2011

A - 17

PRECIPITATION

DAILY RAINFALL SUMMARY

106F Whittier City Yard

Gage Type: Standard 8 inch diameter (DPW)

Observation Time: 800

Latitude 33-58-57

Longitude: 118-02-50

Elevation: 300 Feet

Water Year from 10/01/2004 to 09/30/2005

Day	Oct	Nov	Dec	Jan	Feb	Mar	Apr	May	Jun	Jul	Aug	Sep
1												
2				0.47								
3				0.28								
4				0.20								
5			0.45	0.02								
6			0.01		0.01							
7			0.09	1.20								
8				1.01								
9				1.93								
10				1.29	0.04							
11				0.25	1.82							
12					0.26							
13												
14												
15												
16												
17	0.60											
18	0.24				0.42	0.14						
19	0.09				2.89	0.05						0.02
20	2.96				0.52	0.03						0.34
21		0.29			2.23							
22					0.79	1.61						
23					0.41	0.01						
24						0.04	0.02					
25												
26	0.65			0.05								
27	1.15	0.20	0.04	0.01			0.02					
28	0.17	0.01	1.59	0.07		0.02	0.89					
29			0.65									
30			0.02									
31			0.83									
Totals	5.86	0.50	3.68	6.78	9.39	1.90	0.93	0.00	0.00	0.00	0.00	0.36
												Water Year Total: 29.40

NOTE: All Values are in units of inches, unless otherwise specified.

LEGEND: A - Acculated Total

E - Estimated

T - Trace, unmeasurable amount of rain

Data Revised: July 2011

PRECIPITATION

DAILY RAINFALL SUMMARY

107D Downey-Fire Department

Gage Type: Standard 8 inch diameter (DPW)

Observation Time: 800

Latitude 33-55-48

Longitude: 118-08-47

Elevation: 110 Feet

Water Year from 10/01/2004 to 09/30/2005

Day	Oct	Nov	Dec	Jan	Feb	Mar	Apr	May	Jun	Jul	Aug	Sep
1												
2				0.05								
3												
4			0.03	0.40		0.25						
5			0.45									
6												
7		0.02										
8				2.04								
9												
10				2.56								
11				1.00	1.60							
12				0.02								
13												
14												
15												
16												
17												
18	0.67				1.45							
19	0.10				1.74							
20					2.20							0.11
21												0.24
22					0.75							
23						1.48						
24							0.13E					
25												
26												
27		0.56										
28	2.46		A			1.24	1.27E					
29			A	0.01			0.03E					
30			2.00A									
31												
Totals	3.23	0.58	2.48	6.08	7.74	2.97	1.43	0.00	0.00	0.00	0.00	0.35
												Water Year Total: 24.86

NOTE: All Values are in units of inches, unless otherwise specified.

LEGEND: A - Acculated Total
 E - Estimated
 T - Trace, unmeasurable amount of rain

Data Revised: July 2011

PRECIPITATION

DAILY RAINFALL SUMMARY

108D El Monte Fire Station

Gage Type: Standard 8 inch diameter (DPW)

Observation Time: 800

Latitude 34-04-30

Longitude: 118-02-30

Elevation: 275 Feet

Water Year from 10/01/2004 to 09/30/2005

Day	Oct	Nov	Dec	Jan	Feb	Mar	Apr	May	Jun	Jul	Aug	Sep
1												
2												
3				2.00								
4						1.90						
5						0.15						
6			0.60					0.34				
7				1.94								
8			0.07									
9												
10				2.00								
11				1.52								
12												
13					1.97							
14												
15												
16												
17												
18	1.11											
19												
20	2.04	0.54			2.00							
21	0.26											0.31
22												
23						1.54						
24												
25				0.33								
26												
27			1.33E									
28	1.88		1.68E				0.83					
29			0.31E									
30			0.23E									
31			0.94E									
Totals	5.29	0.54	5.16	7.79	3.97	3.59	0.83	0.34	0.00	0.00	0.00	0.31
	Water Year Total:											27.82

NOTE: All Values are in units of inches, unless otherwise specified.

LEGEND: A - Acculated Total
 E - Estimated
 T - Trace, unmeasurable amount of rain

Data Revised: July 2011

PRECIPITATION

DAILY RAINFALL SUMMARY

109D West Arcadia

Gage Type: Standard 8 inch diameter (DPW)

Observation Time: 800

Latitude 34-07-42

Longitude: 118-04-22

Elevation: 547 Feet

Water Year from 10/01/2004 to 09/30/2005

Day	Oct	Nov	Dec	Jan	Feb	Mar	Apr	May	Jun	Jul	Aug	Sep
1												
2												
3				1.95		0.90						
4				0.85		0.26						
5			0.36	0.20		0.83		0.21				
6			0.37									
7				0.50	0.14							
8		0.07E	0.08	2.50								
9		T		2.70								
10				3.36								
11				3.20	1.30							
12					1.69							
13		T										
14												
15												
16												
17					0.95							
18					0.75							
19					1.25	0.25						
20	2.00				1.90	0.10						0.10
21	0.31	0.85E			2.10							0.19
22					1.49	1.04						
23					1.38							
24												
25												
26	1.80			0.03								
27	0.40	0.01E										
28		0.51E	2.00	0.50			0.84					
29			2.10									
30			0.55									
31			0.20									
Totals	4.51	1.44	5.66	15.79	12.95	3.38	0.84	0.21	0.00	0.00	0.00	0.29
												Water Year Total: 45.07

NOTE: All Values are in units of inches, unless otherwise specified.

LEGEND: A - Acculated Total
 E - Estimated
 T - Trace, unmeasurable amount of rain

Data Revised: July 2011

PRECIPITATION

DAILY RAINFALL SUMMARY

120 Vincent Patrol Station

Gage Type: Standard 8 inch diameter (DPW)

Observation Time: 800

Latitude 34-29-17

Longitude: 118-08-27

Elevation: 3135 Feet

Water Year from 10/01/2004 to 09/30/2005

Day	Oct	Nov	Dec	Jan	Feb	Mar	Apr	May	Jun	Jul	Aug	Sep
1												
2												
3												
4				0.78		0.01						
5			0.05			0.13						
6				0.01								
7				0.25				0.15				
8			0.01	0.52								
9				1.24								
10				0.84								
11				1.41	1.26							
12				0.04	0.49							
13												
14												
15											0.03	
16												
17	0.05											
18	0.03				0.20							
19					1.15	0.14						
20	1.67											0.46
21		0.27			0.38							
22	0.06	0.02			1.00							
23					0.17	0.30						
24					0.11							
25												
26				0.04		0.04						
27	1.55			0.07								0.50
28		0.03	1.70	0.35			0.15					
29	0.37		1.50	0.08								
30			0.04									
31												
Totals	3.73	0.32	3.30	5.63	4.76	0.62	0.15	0.15	0.00	0.00	0.03	0.96
												Water Year Total: 19.65

NOTE: All Values are in units of inches, unless otherwise specified.

LEGEND: A - Acculated Total
 E - Estimated
 T - Trace, unmeasurable amount of rain

Data Revised: July 2011

PRECIPITATION

DAILY RAINFALL SUMMARY

125B San Francisquito Canyon Ph#1 - Saugus

Gage Type: Standard 8 inch diameter

Observation Time: 800

Latitude 34-35-25

Longitude: 118-27-15

Elevation: 2105 Feet

Water Year from 10/01/2004 to 09/30/2005

Day	Oct	Nov	Dec	Jan	Feb	Mar	Apr	May	Jun	Jul	Aug	Sep
1												
2												
3				1.29								
4				0.31		0.74						
5			0.09			0.01	0.02	0.04				
6								2.30				
7			0.03	1.02				0.11				
8			0.26	2.37				T				
9			0.02	5.81			T	0.13				
10				4.02								
11					0.78							
12				1.05	0.26							
13												
14						0.05						
15											0.02	
16								0.02				
17	0.54							0.01				
18	0.25				0.80							
19	0.24				2.98	0.38						
20	3.39				0.19	0.07						0.27
21		0.06			2.85							
22		0.01			0.48	0.10	T					
23					0.34	1.05	T					
24					0.08	0.01	T					
25												
26				0.05	0.04							
27	1.43		0.09	0.07								0.01
28	0.14	0.05	3.19	0.42		0.01	0.75					
29			2.85	0.12			0.23					
30			0.01									
31			0.90									
Totals	5.99	0.12	7.44	16.53	8.80	2.42	1.00	2.61	0.00	0.00	0.02	0.28
												Water Year Total: 45.21

NOTE: All Values are in units of inches, unless otherwise specified.

LEGEND: A - Acculated Total

E - Estimated

T - Trace, unmeasurable amount of rain

Data Revised: July 2011

PRECIPITATION

DAILY RAINFALL SUMMARY

134C Puddingstone Diversion

Gage Type: Standard 8 inch diameter (DPW)

Observation Time: 800

Latitude 34-07-52

Longitude: 117-46-55

Elevation: 1160 Feet

Water Year from 10/01/2004 to 09/30/2005

Day	Oct	Nov	Dec	Jan	Feb	Mar	Apr	May	Jun	Jul	Aug	Sep
1				0.70								
2												
3				0.19		0.27			0.01			
4		0.02		0.27		0.09	T					
5			0.07	0.09		0.17		0.08				
6			0.16					0.48				
7			0.02	0.13	0.04			0.01				
8			0.06	1.86	0.08			0.01				
9		0.15		2.14								
10				3.71								
11				2.29	0.95							
12					1.64							
13						0.01						
14						0.05						
15											T	
16												T
17	0.87											
18	0.51				0.33							
19	0.59				1.71	0.25	0.11					
20	2.66				2.23	0.28	0.08					0.16
21	0.51	0.88			1.99							0.34
22					1.63							
23					1.28	1.44	0.01					
24						0.01	0.06					
25				0.04			0.03					
26				0.06								
27	2.41			0.41	0.06		T					
28	0.31	0.45	0.76			0.02	0.89					
29			2.10	0.30		0.01	0.01					
30			0.98									
31			0.13									
Totals	7.86	1.50	4.28	12.19	11.94	2.60	1.19	0.58	0.01	0.00	0.00	0.50
												Water Year Total: 42.65

NOTE: All Values are in units of inches, unless otherwise specified.

LEGEND: A - Acculated Total

E - Estimated

T - Trace, unmeasurable amount of rain

Data Revised: July 2011

PRECIPITATION

DAILY RAINFALL SUMMARY

144 Sierra Madre Dam

Gage Type: Standard 8 inch diameter (DPW)

Observation Time: 800

Latitude 34-10-34

Longitude: 118-02-32

Elevation: 1100 Feet

Water Year from 10/01/2004 to 09/30/2005

Day	Oct	Nov	Dec	Jan	Feb	Mar	Apr	May	Jun	Jul	Aug	Sep
1				0.96								
2												
3				1.02		0.40						
4				0.79		0.21	0.01					
5			0.13	0.10		0.41		0.12				
6			0.33					0.38				
7			0.04	0.16	0.15							
8		0.05	0.07	1.96	0.14							
9		0.04		6.52								
10				4.56								
11		0.03		4.64	1.35							
12		0.03			1.82							
13					0.03	0.09						
14					0.02	0.06						
15												
16												
17	0.90											
18	0.32				0.56							
19	0.47				3.12	0.49	0.03					
20	4.66				1.98	0.14	0.04					0.06
21	1.01	1.37			3.06							0.21
22					1.63							
23					1.47	1.16						
24												
25							0.12					
26				0.06								
27	2.57			0.27								
28	0.30	0.54	1.97				0.83					
29			3.24	0.26		0.14	0.11					
30			0.76									
31			0.20							E		
Totals	10.23	2.06	6.74	21.30	15.33	3.10	1.14	0.50	0.00	0.00	0.00	0.27
												Water Year Total: 60.67

NOTE: All Values are in units of inches, unless otherwise specified.

LEGEND: A - Acculated Total

E - Estimated

T - Trace, unmeasurable amount of rain

Data Revised: July 2011

PRECIPITATION

DAILY RAINFALL SUMMARY

167C Arcadia Pumping Plant #1

Gage Type: Standard 8 inch diameter

Observation Time: 800

Latitude 34-09-31

Longitude: 118-02-02

Elevation: 611 Feet

Water Year from 10/01/2004 to 09/30/2005

Day	Oct	Nov	Dec	Jan	Feb	Mar	Apr	May	Jun	Jul	Aug	Sep
1				6.25								
2												
3				1.00								
4						0.69						
5			0.25									
6								1.26				
7		0.02		2.00								
8		0.13		4.00								
9				2.15								
10				6.00								
11				1.14	2.25							
12					1.10							
13						0.09						
14												
15												
16												
17	0.02				0.30							
18	1.50				0.75	0.22						
19	0.20				3.30							
20	4.20				1.55	0.21						0.28
21		0.95			2.87							
22					1.52	0.40						
23					0.83	0.58						
24												
25												
26				0.10								
27	2.57			0.05								
28	0.10	0.40	2.23E	0.19		0.11						
29			2.78E									
30			0.94E									
31			0.30E									
Totals	8.59	1.50	6.50	22.88	14.47	2.30	0.00	1.26	0.00	0.00	0.00	0.28
	Water Year Total:											57.78

NOTE: All Values are in units of inches, unless otherwise specified.

LEGEND: A - Acculated Total
 E - Estimated
 T - Trace, unmeasurable amount of rain

Data Revised: July 2011

PRECIPITATION

DAILY RAINFALL SUMMARY

169 Sierra Madre Pumping Plant

Gage Type: Standard 8 inch diameter

Observation Time: 800

Latitude 34-09-47

Longitude: 118-02-21

Elevation: 700 Feet

Water Year from 10/01/2004 to 09/30/2005

Day	Oct	Nov	Dec	Jan	Feb	Mar	Apr	May	Jun	Jul	Aug	Sep
1				1.01								
2												
3				1.10		0.31						
4				0.64		0.16						
5			0.11	0.10		0.36		0.11				
6			0.27					0.33				
7			0.02	0.11	0.10							
8		0.01	0.05	1.83	0.09							
9		0.18		5.30								
10				4.56								
11		0.01		4.35	1.34							
12		0.01			1.80							
13					0.01	0.07						
14					0.01	0.05						
15												
16												
17	0.89											
18	0.30				0.61							
19	0.43				3.51	0.38	0.01					
20	4.82				2.05	0.13	0.13					0.10
21	0.86	0.96			3.12							0.21
22					1.90							
23					1.32	1.10						
24												
25							0.02					
26				0.08								
27	2.12			0.15								
28	0.90	0.53	1.90				0.96					
29			3.33	0.19		0.15	0.10					
30			1.14									
31			0.21									
Totals	10.32	1.70	7.03	19.42	15.86	2.71	1.22	0.44	0.00	0.00	0.00	0.31
												Water Year Total: 59.01

NOTE: All Values are in units of inches, unless otherwise specified.

LEGEND: A - Acculated Total
 E - Estimated
 T - Trace, unmeasurable amount of rain

Data Revised: July 2011

PRECIPITATION

DAILY RAINFALL SUMMARY

170F **Potrero Heights**

Gage Type: Standard 8 inch diameter (DPW)

Observation Time: 800

Latitude 34-02-32

Longitude: 118-04-44

Elevation: 285 Feet

Water Year from 10/01/2004 to 09/30/2005

Day	Oct	Nov	Dec	Jan	Feb	Mar	Apr	May	Jun	Jul	Aug	Sep
1				2.02								
2				0.10								
3				1.14		0.13						
4				0.18		0.52						
5			0.28	0.01				0.05				
6			0.11		0.07			0.37				
7			0.01	1.36				0.01				
8			0.06	1.10								
9				3.05								
10				1.80								
11				0.70	1.43							
12					0.66							
13												
14												
15												
16												
17	0.70				0.11							
18	0.45				0.69	0.09						
19	0.06				2.70	0.18						
20	2.55				0.84	0.05						0.31
21	0.01	0.35			3.05							
22		0.02			0.88	0.15						
23					0.75	1.23						
24						0.03	0.02					
25												
26				0.56		0.01						
27	1.90	0.15					0.01					
28	0.28	0.13	2.00	0.29		0.02	0.92					
29			1.95									
30			0.02									
31			1.20									
Totals	5.95	0.65	5.63	12.31	11.18	2.41	0.95	0.43	0.00	0.00	0.00	0.31
												Water Year Total: 39.82

NOTE: All Values are in units of inches, unless otherwise specified.

LEGEND: A - Acculated Total

 E - Estimated

 T - Trace, unmeasurable amount of rain

Data Revised: July 2011

PRECIPITATION

DAILY RAINFALL SUMMARY

174B **Glendora**

Gage Type: Standard 8 inch diameter (DPW)

Observation Time: 800

Latitude 34-07-43

Longitude: 117-49-08

Elevation: 930 Feet

Water Year from 10/01/2004 to 09/30/2005

Day	Oct	Nov	Dec	Jan	Feb	Mar	Apr	May	Jun	Jul	Aug	Sep
1												
2						0.10						
3						0.25						
4				0.12		0.10						
5			0.26									
6								0.40				
7				0.60								
8				2.00								
9				4.60				0.10				
10				4.10								
11												
12												
13						0.10						
14												
15	0.60E											
16	0.60E											
17	0.35E											
18	4.55E					2.10						
19	0.37E					1.57						
20	0.01E											0.35
21		1.20			2.45							
22					1.33	0.50						
23					0.61	0.50						
24							0.20					
25												
26	2.54E			0.20								
27	0.28E											
28		0.58	1.10	0.50			0.85					
29			1.75				0.01					
30												
31			0.85									
Totals	9.30	1.78	3.96	12.12	4.39	5.22	1.06	0.50	0.00	0.00	0.00	0.35
												Water Year Total: 38.68

NOTE: All Values are in units of inches, unless otherwise specified.

LEGEND: A - Acculated Total

 E - Estimated

 T - Trace, unmeasurable amount of rain

Data Revised: July 2011

PRECIPITATION

DAILY RAINFALL SUMMARY

175B La Canada Irrigation District

Gage Type: Standard 8 inch diameter (DPW)

Observation Time: 800

Latitude 34-13-39

Longitude: 118-12-40

Elevation: 2020 Feet

Water Year from 10/01/2004 to 09/30/2005

Day	Oct	Nov	Dec	Jan	Feb	Mar	Apr	May	Jun	Jul	Aug	Sep
1				0.90								
2												
3				1.47		0.54						
4				0.36		0.79						
5			0.28	0.11		0.45		0.18				
6			0.16					0.53				
7			0.02	0.12	0.10							
8			0.08	2.85								
9		0.06		5.40								
10				6.00				0.07				
11				2.90	1.30							
12					1.55							
13						T						
14						T						
15											0.06	
16												
17	0.97											
18	0.24				0.68							
19	0.68				2.05	0.32						
20	4.55				2.80	0.17						0.11
21	0.60	0.23			3.30							0.25
22					1.42							
23					1.45	1.48						
24												
25												
26				0.07								
27	3.20			0.08								
28	1.52	0.30	3.70	0.05	T	0.05	0.90					
29			5.20	0.38			0.02					
30			0.64					0.01				
31			0.35									
Totals	11.76	0.59	10.43	20.69	14.65	3.80	0.92	0.79	0.00	0.00	0.06	0.36
												Water Year Total: 64.05

NOTE: All Values are in units of inches, unless otherwise specified.

LEGEND: A - Acculated Total

E - Estimated

T - Trace, unmeasurable amount of rain

Data Revised: July 2011

PRECIPITATION

DAILY RAINFALL SUMMARY

176 Altadena-Rubio Canyon

Gage Type: Standard 8 inch diameter

Observation Time: 800

Latitude 34-10-55

Longitude: 118-08-15

Elevation: 1125 Feet

Water Year from 10/01/2004 to 09/30/2005

Day	Oct	Nov	Dec	Jan	Feb	Mar	Apr	May	Jun	Jul	Aug	Sep
1				0.70								
2												
3				1.74		0.44						
4				0.32		0.25						
5			0.10	0.08		0.78		0.08				
6			0.37					0.36				
7			0.10	0.18	0.13							
8			0.06	1.86								
9		0.03		4.50				0.02				
10				4.75								
11				3.32	1.15							
12					2.10	0.10						
13					0.05	0.07						
14												
15											0.01	
16												
17												
18	0.94				0.51							
19	0.63				1.99	0.35						
20	4.08				2.94	0.04						0.06
21	0.59	0.61			3.82							0.16
22					1.23							
23					1.33	1.10						
24					0.03		0.06					
25						0.01						
26												
27	2.76	0.35		0.20								
28	0.14		2.60				0.85					
29			4.23	0.26		0.03	0.05					
30			0.86									
31			0.20									
Totals	9.14	0.99	8.52	17.91	15.28	3.17	0.96	0.46	0.00	0.00	0.01	0.22
												Water Year Total: 56.66

NOTE: All Values are in units of inches, unless otherwise specified.

LEGEND: A - Acculated Total

E - Estimated

T - Trace, unmeasurable amount of rain

Data Revised: July 2011

PRECIPITATION

DAILY RAINFALL SUMMARY

196C **La Verne-Fire Station**

Gage Type: Standard 8 inch diameter (DPW)

Observation Time: 800

Latitude 34-06-06

Longitude: 117-46-20

Elevation: 1050 Feet

Water Year from 10/01/2004 to 09/30/2005

Day	Oct	Nov	Dec	Jan	Feb	Mar	Apr	May	Jun	Jul	Aug	Sep
1												
2												
3				0.56		0.33						
4				0.22								
5			0.11					0.61				
6												
7				0.80	0.01							
8				2.00	0.01							
9				3.06								
10				2.27								
11				1.43	1.80							
12												
13												
14												
15												
16												
17	0.95											
18	0.23				0.90							
19	0.50				3.00							
20	2.75				0.42							0.60
21		0.67			2.49							
22					1.75							
23												
24												
25												
26				0.20								
27	2.50											
28			1.68	0.28			1.08					
29			1.62									
30												
31			1.33									
Totals	6.93	0.67	4.74	10.82	10.38	0.33	1.08	0.61	0.00	0.00	0.00	0.60
	Water Year Total:											36.16

NOTE: All Values are in units of inches, unless otherwise specified.

LEGEND: A - Acculated Total
 E - Estimated
 T - Trace, unmeasurable amount of rain

Data Revised: July 2011

PRECIPITATION

DAILY RAINFALL SUMMARY

216C **Glendale - Jackson**

Gage Type: Standard 8 inch diameter (DPW)

Observation Time: 800

Latitude 34-09-54

Longitude: 118-15-01

Elevation: 615 Feet

Water Year from 10/01/2004 to 09/30/2005

Day	Oct	Nov	Dec	Jan	Feb	Mar	Apr	May	Jun	Jul	Aug	Sep
1												
2				0.30		T						
3				1.52		0.31						
4				0.32		0.77						
5			0.52			0.01		0.08				
6					0.02			0.03				
7			0.03	0.94								
8		0.01		1.63								
9				4.40				T				
10				2.67								
11				0.86	1.93							
12					0.30				T			
13												
14												
15											T	
16						T						
17	0.85				0.31							
18	0.35				1.12	0.15						
19	T				2.25	T						
20	3.76				1.94							0.41
21		0.45			4.60							
22					0.60	A						
23					1.71	1.39A						
24												
25												
26	T			0.09								
27	2.60	0.14										
28		0.09	3.77	0.57		T	1.07					
29			3.63									
30												
31			1.26									
Totals	7.56	0.69	9.21	13.30	14.78	2.63	1.07	0.11	0.00	0.00	0.00	0.41
	Water Year Total:											49.76

NOTE: All Values are in units of inches, unless otherwise specified.

LEGEND: A - Acculated Total

 E - Estimated

 T - Trace, unmeasurable amount of rain

Data Revised: July 2011

PRECIPITATION

DAILY RAINFALL SUMMARY

223C **Big Dalton Dam**

Gage Type: Standard 8 inch diameter (DPW)

Observation Time: 800

Latitude 34-10-06

Longitude: 117-48-36

Elevation: 1587 Feet

Water Year from 10/01/2004 to 09/30/2005

Day	Oct	Nov	Dec	Jan	Feb	Mar	Apr	May	Jun	Jul	Aug	Sep
1				0.71								
2				T					0.02			
3				0.58		0.29			0.04			
4		0.05		0.38		0.08	0.01					
5			0.28	0.02		0.36		0.11				
6			0.18			0.01		1.42				
7			0.01	0.17	0.19			0.03				
8			0.10	2.48	0.11							
9		0.09		6.71			0.02					
10		0.01		4.33				T				
11				4.79	1.12							
12	T	0.01			2.34							
13					0.02	0.02						
14						0.06						
15											T	
16												
17	0.94											
18	0.31				0.58	T						
19	0.38				3.32	0.40	0.07					
20	4.48				2.16	0.20	0.01					0.22
21	1.07	0.89			2.87							0.29
22		T			2.14							
23					1.39	1.20	0.01					
24					0.01	0.01	0.26					
25				0.05		0.01	0.29					
26	T			0.04								
27	2.68			0.68	0.15							
28	0.25	0.62	1.18	0.01		0.01	0.89					
29	T		2.24	0.39		0.01	0.01					
30			1.20	T								
31			0.29									
Totals	10.11	1.67	5.48	21.34	16.40	2.66	1.57	1.56	0.06	0.00	0.00	0.51
												Water Year Total: 61.36

NOTE: All Values are in units of inches, unless otherwise specified.

LEGEND: A - Acculated Total

 E - Estimated

 T - Trace, unmeasurable amount of rain

Data Revised: July 2011

PRECIPITATION

DAILY RAINFALL SUMMARY

225 **Montana Ranch-Lakewood**

Gage Type: Standard 8 inch diameter (DPW)

Observation Time: 800

Latitude 33-50-35

Longitude: 118-07-09

Elevation: 47 Feet

Water Year from 10/01/2004 to 09/30/2005

Day	Oct	Nov	Dec	Jan	Feb	Mar	Apr	May	Jun	Jul	Aug	Sep
1												
2						0.05						
3				0.25		0.10						
4			0.05	0.20				T				
5								0.13				
6			0.02	0.21				0.02				
7			0.16	0.35								
8												
9												
10				1.10	0.72							
11				0.05	1.72							
12					0.05							
13												
14		0.03										
15												
16												
17					0.25							
18	0.18				1.15	0.15						
19	2.10				1.10	0.03						0.05
20	0.37				2.05							0.33
21					1.25							
22					1.40	0.90	T					
23												
24						0.02						
25												
26	2.03			0.02								
27	0.11						1.25					
28		0.10	0.90	0.37		0.10						
29												
30												
31												
Totals	4.79	0.13	1.13	2.55	9.69	1.35	1.25	0.15	0.00	0.00	0.00	0.38
												Water Year Total: 21.42

NOTE: All Values are in units of inches, unless otherwise specified.

LEGEND: A - Acculated Total

 E - Estimated

 T - Trace, unmeasurable amount of rain

Data Revised: July 2011

PRECIPITATION

DAILY RAINFALL SUMMARY

227D San Gabriel-Bruington-Orton

Gage Type: Standard 8 inch diameter (DPW)

Observation Time: 800

Latitude 34-06-18

Longitude: 118-06-32

Elevation: 472 Feet

Water Year from 10/01/2004 to 09/30/2005

Day	Oct	Nov	Dec	Jan	Feb	Mar	Apr	May	Jun	Jul	Aug	Sep
1												
2				0.30								
3				1.28		0.01						
4				0.27		0.63		0.10				
5			0.38		0.12							
6			0.03									
7				1.42								
8			0.05	1.89								
9				4.90								
10				2.90								
11				1.30	2.35							
12					0.46							
13												
14						0.03						
15												
16												
17	0.92				0.13							
18	0.52				1.00	0.25						
19	0.07				2.80							
20	3.50				0.92	0.04						0.35
21	0.02	0.35			3.20							
22					1.33	1.34						
23					0.70							
24						0.03						
25												
26				0.47								
27	2.37	0.13					0.87					
28	0.10	0.20	2.62	0.30		0.06						
29			3.10									
30			0.03									
31			1.28									
Totals	7.50	0.68	7.49	15.03	13.01	2.39	0.87	0.10	0.00	0.00	0.00	0.35
	Water Year Total:											47.42

NOTE: All Values are in units of inches, unless otherwise specified.

LEGEND: A - Acculated Total
 E - Estimated
 T - Trace, unmeasurable amount of rain

Data Revised: July 2011

PRECIPITATION

DAILY RAINFALL SUMMARY

228C Beverly Hills City Hall

Gage Type: Standard 8 inch diameter (DPW)

Observation Time: 800

Latitude 34-06-00

Longitude: 118-23-40

Elevation: 245 Feet

Water Year from 10/01/2004 to 09/30/2005

Day	Oct	Nov	Dec	Jan	Feb	Mar	Apr	May	Jun	Jul	Aug	Sep
1				A								
2				3.47A								
3				0.16								
4			A	0.06								
5			A					0.05				
6			A	0.18	0.02	0.12						
7		0.02	A	2.11E								
8			0.85A	2.59E								
9				2.98E				0.22				
10				1.45	1.17							
11					T							
12												
13												
14												
15												
16	0.72											
17	0.20				0.25							
18	0.05				1.95							
19	2.53				2.13							
20	0.22	T			3.14E							0.14
21					0.57E							0.02
22					0.92	1.61						
23												
24							0.03					
25												
26	1.72		0.05									T
27	0.01		2.80	0.02		0.02	1.00					
28			2.78	0.47								
29												
30												
31												
Totals	5.45	0.02	6.48	13.49	10.15	1.75	1.03	0.27	0.00	0.00	0.00	0.16
												Water Year Total: 38.80

NOTE: All Values are in units of inches, unless otherwise specified.

LEGEND: A - Acculated Total
 E - Estimated
 T - Trace, unmeasurable amount of rain

Data Revised: July 2011

PRECIPITATION

DAILY RAINFALL SUMMARY

235C Henniger Flats

Gage Type: Standard 8 inch diameter (DPW)

Observation Time: 800

Latitude 34-11-38

Longitude: 118-05-17

Elevation: 2550 Feet

Water Year from 10/01/2004 to 09/30/2005

Day	Oct	Nov	Dec	Jan	Feb	Mar	Apr	May	Jun	Jul	Aug	Sep
1												
2				0.22		0.06						
3				1.42		0.25						
4				0.46		1.03						
5			0.53			0.01		0.55				
6			0.05		0.35			0.33				
7		0.03	0.04	0.94	0.01			0.02				
8		0.07	0.08	4.70	0.10							
9				7.88				0.08				
10		0.01		5.26								
11		0.01		2.05	2.82							
12					0.83							
13		0.01				0.34						
14						0.06						
15												
16												
17	1.08											
18	0.40				1.52	0.37						
19	0.27				3.29	0.25	0.08					
20	8.60				1.68	0.02						0.32
21	0.02	0.89			3.67							
22					1.82	0.36						
23					0.88	0.83						
24						0.06	0.07					
25												
26	0.05			0.13								
27	3.05	0.40		0.21								
28	0.03	0.24	3.81	0.35		0.18	0.87					
29			4.32					0.19				
30			0.02									
31			0.99									
Totals	13.50	1.66	9.84	23.62	16.97	3.82	1.02	1.17	0.00	0.00	0.00	0.32
												Water Year Total: 71.92

NOTE: All Values are in units of inches, unless otherwise specified.

LEGEND: A - Acculated Total

E - Estimated

T - Trace, unmeasurable amount of rain

Data Revised: July 2011

PRECIPITATION

DAILY RAINFALL SUMMARY

237C Stone Canyon Reservoir

Gage Type: Standard 8 inch diameter

Observation Time: 800

Latitude 34-06-21

Longitude: 118-27-13

Elevation: 865 Feet

Water Year from 10/01/2004 to 09/30/2005

Day	Oct	Nov	Dec	Jan	Feb	Mar	Apr	May	Jun	Jul	Aug	Sep
1				1.47								
2				0.01								
3				1.60		0.26	0.03					
4				0.54		0.26						
5			0.19	0.15		0.80						
6			0.46					0.30				
7				0.58	0.49							
8		0.05	0.20	3.05								
9				4.00								
10				3.70				0.20				
11				1.94	1.28							
12					1.50	0.02						
13		0.02										
14												
15												
16												
17	0.87											
18	0.11				1.33							
19	0.27				3.00	0.18						
20	3.28				1.54	0.10						0.02
21	0.51	0.26			2.96							0.18
22					2.00							
23					1.26	2.29						
24							0.04					
25												
26	0.05			0.02	0.08							
27	2.14		0.10									
28	0.06	0.10	3.16			0.02	1.26					
29			1.77	0.54		0.03		0.02				
30			0.62									
31			0.36									
Totals	7.29	0.43	6.86	17.60	15.44	3.96	1.33	0.52	0.00	0.00	0.00	0.20
											Water Year Total:	53.63

NOTE: All Values are in units of inches, unless otherwise specified.

LEGEND: A - Acculated Total

E - Estimated

T - Trace, unmeasurable amount of rain

Data Revised: July 2011

PRECIPITATION

DAILY RAINFALL SUMMARY

238 Hollywood Dam

Gage Type: Standard 8 inch diameter

Observation Time: 800

Latitude 34-07-04

Longitude: 118-19-55

Elevation: 750 Feet

Water Year from 10/01/2004 to 09/30/2005

Day	Oct	Nov	Dec	Jan	Feb	Mar	Apr	May	Jun	Jul	Aug	Sep
1				1.16								
2												
3				1.71		0.24						
4				0.23		0.28						
5			0.20	0.14		0.95						
6			0.45					0.13				
7				0.15								
8		0.02	0.06	2.20								
9				3.80				T				
10				3.87								
11				1.65	1.00							
12					1.27	0.02						
13						0.01						
14												
15									T			
16									0.01			
17	0.98											
18	0.15				1.02							
19	0.20				1.61	0.11						
20	3.58				3.16	0.05						0.10
21	0.17	0.17			2.98							0.20
22					1.10							
23					1.42	2.00						
24							0.03					
25												
26				0.01								
27	1.72		0.03	0.02	0.02							
28	0.06	0.28	3.10	0.10		0.03	1.17					
29			4.35	0.43				T				
30			0.48									
31			0.28									
Totals	6.86	0.47	8.95	15.47	13.58	3.69	1.20	0.13	0.01	0.00	0.00	0.30
											Water Year Total:	50.66

NOTE: All Values are in units of inches, unless otherwise specified.

LEGEND: A - Acculated Total

E - Estimated

T - Trace, unmeasurable amount of rain

Data Revised: July 2011

PRECIPITATION

DAILY RAINFALL SUMMARY

251C La Crescenta

Gage Type: Standard 8 inch diameter (DPW)

Observation Time: 800

Latitude 34-13-20

Longitude: 118-14-40

Elevation: 1440 Feet

Water Year from 10/01/2004 to 09/30/2005

Day	Oct	Nov	Dec	Jan	Feb	Mar	Apr	May	Jun	Jul	Aug	Sep
1												
2						T						
3				1.70		0.25	T					
4				0.43		0.95	T					
5			0.38			0.01		0.27				
6					0.03			0.11				
7		T	T	0.86								
8		T	0.05									
9		T	T	5.87				0.02				
10				4.50								
11				1.37	2.00							
12					0.53							
13						0.04						
14											0.09	
15												
16					T							
17	1.04				0.15							
18	0.33				1.09	0.15						
19	0.35					A						
20	5.13					0.18A						0.36
21	0.01	0.34			6.63							
22					0.32	0.65						
23					1.08	0.90						
24					0.01	T						
25					0.01							
26	T			0.07								T
27	3.38	0.25		0.03		0.01						
28	0.18		4.40	0.37		0.02	0.82					
29			4.82				T					
30												
31			1.22									
Totals	10.42	0.59	10.87	15.20	11.85	3.16	0.82	0.40	0.00	0.00	0.09	0.36
												Water Year Total: 53.76

NOTE: All Values are in units of inches, unless otherwise specified.

LEGEND: A - Acculated Total

E - Estimated

T - Trace, unmeasurable amount of rain

Data Revised: July 2011

PRECIPITATION

DAILY RAINFALL SUMMARY

252C **Castaic Lake**

Gage Type: Standard 8 inch diameter

Observation Time: 800

Latitude 34-29-53

Longitude: 118-36-53

Elevation: 1150 Feet

Water Year from 10/01/2004 to 09/30/2005

Day	Oct	Nov	Dec	Jan	Feb	Mar	Apr	May	Jun	Jul	Aug	Sep
1				0.28		T						
2				0.02								
3				1.70		0.05						
4				0.52		0.39						
5			0.16E			0.02		0.04				
6					0.03			0.62				
7			0.23E	0.20	0.06							
8			0.04E	1.40								
9				1.93				0.03				
10				5.40								
11				1.55	1.77							
12					0.54							
13		T				0.03						
14												
15												
16					T							
17	0.52											
18	0.04				0.50							
19	0.38				2.03	0.26						
20	2.46				0.75	0.17						0.04E
21	0.06	0.06			2.18							
22					1.00							
23					0.76	1.10						
24						T						
25												
26			0.08E	0.05	0.02	0.05						
27	1.18		1.56E	0.05								
28	0.10		3.79E	0.23	0.03		1.02					
29			1.41E	0.22			0.04					
30									E			
31			0.90E							E	E	
Totals	4.74	0.06	8.17	13.55	9.67	2.07	1.06	0.69	0.00	0.00	0.00	0.04
Water Year Total:												40.05

NOTE: All Values are in units of inches, unless otherwise specified.

LEGEND: A - Acculated Total

 E - Estimated

 T - Trace, unmeasurable amount of rain

Data Revised: July 2011

PRECIPITATION

DAILY RAINFALL SUMMARY

255F **Mount San Antonio College-Spadra**

Gage Type: Standard 8 inch diameter (DPW)

Observation Time: 800

Latitude 34-02-41

Longitude: 117-50-19

Elevation: 720 Feet

Water Year from 10/01/2004 to 09/30/2005

Day	Oct	Nov	Dec	Jan	Feb	Mar	Apr	May	Jun	Jul	Aug	Sep
1				0.01								
2				0.05		0.06						
3				0.43	0.02			0.02				
4				0.07		0.92						
5			0.29					0.32				
6					0.07			0.16				
7			0.03	1.13								
8		0.29	0.04	1.24	0.02	0.02						
9				2.47								
10				1.35	0.02	0.03						
11				0.69	1.57							
12					0.18	0.04						
13						0.01						
14												
15												
16	0.10											
17	0.71				0.15			0.02				
18	0.67				0.91	0.14						
19	0.32				2.49	0.12						
20	3.60				0.46	0.01						0.43E
21	0.01	1.06	0.04		2.47							T
22					0.74	1.33						
23					0.28							
24						0.02						
25												
26	0.89			0.38		0.03	0.01					
27	1.07	0.35	0.01									
28	0.02		1.28	0.19			0.90					
29			1.37			0.01						
30			0.01						E			
31			1.18							E	E	
Totals	7.39	1.70	4.25	8.01	9.38	2.74	0.91	0.52	0.00	0.00	0.00	0.43
												Water Year Total: 35.33

NOTE: All Values are in units of inches, unless otherwise specified.

LEGEND: A - Acculated Total

 E - Estimated

 T - Trace, unmeasurable amount of rain

Data Revised: July 2011

PRECIPITATION

DAILY RAINFALL SUMMARY

269D Diamond Bar Fire Station

Gage Type: Standard 8 inch diameter

Observation Time: 800

Latitude 33-59-50

Longitude: 117-48-55

Elevation: 870 Feet

Water Year from 10/01/2004 to 09/30/2005

Day	Oct	Nov	Dec	Jan	Feb	Mar	Apr	May	Jun	Jul	Aug	Sep
1				0.01								
2												
3				0.70		0.12						
4				0.09		0.21						
5			0.36			0.01		0.02				
6			0.16		0.07			0.13				
7				1.36								
8		0.05	0.08	1.97								
9				2.61								
10				2.11								
11				1.42	1.75							
12					1.01							
13												
14												
15												
16												
17	0.90				0.11							
18	0.73				0.47	0.11						
19	0.32				4.51	0.14						
20	3.57				0.51	0.04						0.37
21	0.06	0.93			2.93					0.03		
22					1.04	0.11						
23					0.68	1.51						
24						0.04	0.16					
25												
26				0.36								
27	2.92	0.13										
28	0.05	0.16	1.34	0.15		0.02	1.18					
29			1.68	0.01				0.01				
30												
31			1.13									
Totals	8.55	1.27	4.75	10.79	13.08	2.31	1.34	0.16	0.00	0.03	0.00	0.37
												Water Year Total: 42.65

NOTE: All Values are in units of inches, unless otherwise specified.

LEGEND: A - Acculated Total

E - Estimated

T - Trace, unmeasurable amount of rain

Data Revised: July 2011

PRECIPITATION

DAILY RAINFALL SUMMARY

287B Glendora-City Hall

Gage Type: Standard 8 inch diameter (DPW)

Observation Time: 800

Latitude 34-08-09

Longitude: 117-51-52

Elevation: 785 Feet

Water Year from 10/01/2004 to 09/30/2005

Day	Oct	Nov	Dec	Jan	Feb	Mar	Apr	May	Jun	Jul	Aug	Sep
1												
2												
3				0.31		0.31						
4			0.34	0.04		0.04		0.02				
5					0.18	0.42		1.62	0.02			
6			0.09	0.74				0.02				
7		0.01		0.12	0.21							
8		0.10		5.00								
9				5.32								
10				2.99	0.88							
11					1.04							
12					0.78							
13						0.07						
14												
15	0.60											
16	0.60											
17	0.35				0.22							
18	4.55				1.50	0.13						
19	0.37				2.80	0.50	0.21					0.05
20	0.01	1.23			2.25							0.15
21					2.80							
22					1.47	1.20						
23					0.23	0.03						
24							0.06					
25												
26	2.54			0.40								
27	0.28	0.68	1.02		0.02		0.91					
28			2.23	0.34			0.01					
29			0.58									
30												
31			1.44									
Totals	9.30	2.02	5.70	15.26	14.38	2.70	1.19	1.66	0.02	0.00	0.00	0.20
												Water Year Total: 52.43

NOTE: All Values are in units of inches, unless otherwise specified.

LEGEND: A - Acculated Total
 E - Estimated
 T - Trace, unmeasurable amount of rain

Data Revised: July 2011

PRECIPITATION

DAILY RAINFALL SUMMARY

292D Encino Reservoir

Gage Type: Standard 8 inch diameter

Observation Time: 800

Latitude 34-08-56

Longitude: 118-30-57

Elevation: 1075 Feet

Water Year from 10/01/2004 to 09/30/2005

Day	Oct	Nov	Dec	Jan	Feb	Mar	Apr	May	Jun	Jul	Aug	Sep
1				0.70								
2												
3				2.45		0.08						
4				0.20		0.25						
5			0.25	0.06		0.42						
6			0.46					0.23				
7		0.05		0.88	0.05							
8		0.03	0.25	2.05								
9			0.04	3.20								
10				2.41				0.05				
11				1.55	1.80							
12		0.02			1.63							
13		0.04										
14		0.02										
15												
16												
17	0.60											
18	0.05				2.10							
19	0.16				2.05	0.20						
20	3.60				1.61	0.01						0.15
21	0.65	0.24			3.17							0.05
22					2.00							
23					1.16	1.25						
24												
25												
26					0.23							
27	2.63		0.13									
28	0.17	0.05	4.19	0.04		0.05	1.28					
29			2.38	0.43				0.02				
30			0.29									
31			1.02									
Totals	7.86	0.45	9.01	13.97	15.80	2.26	1.28	0.30	0.00	0.00	0.00	0.20
												Water Year Total: 51.13

NOTE: All Values are in units of inches, unless otherwise specified.

LEGEND: A - Acculated Total

E - Estimated

T - Trace, unmeasurable amount of rain

Data Revised: July 2011

PRECIPITATION

DAILY RAINFALL SUMMARY

293B Los Angeles Reservoir

Gage Type: Standard 8 inch diameter

Observation Time: 800

Latitude 34-17-18

Longitude: 118-28-54

Elevation: 1150 Feet

Water Year from 10/01/2004 to 09/30/2005

Day	Oct	Nov	Dec	Jan	Feb	Mar	Apr	May	Jun	Jul	Aug	Sep
1				0.19								
2				0.05								
3				1.80		0.14						
4				0.37		0.18						
5			0.07	0.02		0.20		0.01				
6			0.18					0.18				
7				0.35	0.12			1.50				
8		0.03	0.24	1.72								
9		0.06		1.92								
10				3.12								
11				1.28	1.20							
12					1.55							
13												
14						0.02						
15												
16												
17	0.88											
18	0.19				1.07							
19	0.63				1.43	0.19						
20	2.80				1.36	0.26						0.05
21	0.08	0.05			3.38							0.09
22					0.82							
23					1.04	1.35						
24					0.04							
25												
26					0.07							
27	1.78		0.07	0.21								
28	0.47		3.30	0.15		0.08	0.74					
29			1.84	0.40				0.01				
30			0.12									
31			0.83									
Totals	6.83	0.14	6.65	11.58	12.08	2.42	0.74	1.70	0.00	0.00	0.00	0.14
Water Year Total:												42.28

NOTE: All Values are in units of inches, unless otherwise specified.

LEGEND: A - Acculated Total

E - Estimated

T - Trace, unmeasurable amount of rain

Data Revised: July 2011

PRECIPITATION

DAILY RAINFALL SUMMARY

294B Sierra Madre-Mira Monte Pumping Plant

Gage Type: Standard 8 inch diameter

Observation Time: 800

Latitude 34-10-11

Longitude: 118-02-51

Elevation: 985 Feet

Water Year from 10/01/2004 to 09/30/2005

Day	Oct	Nov	Dec	Jan	Feb	Mar	Apr	May	Jun	Jul	Aug	Sep
1				0.94								
2												
3				1.11		0.32						
4				0.84		0.23	0.01					
5			0.12	0.09		0.40		0.10				
6			0.33					0.41				
7			0.01	0.12	0.12							
8		0.01	0.05	1.98	0.09							
9		0.10		6.60								
10				5.30								
11		0.02		3.96	1.31							
12		0.02			1.98							
13					0.01	0.07						
14					0.13	0.08						
15												
16												
17	0.94											
18	0.24				0.58							
19	0.45				2.89	0.45	0.01					
20	4.74				2.00	0.09	0.08					0.10
21	0.67	1.20			2.95							0.21
22					2.04							
23					1.53	1.20						
24												
25							0.05					
26				0.13								
27	2.17			0.32								
28	1.11	0.50	2.10	0.24			0.88					
29			3.25			0.13	0.08					
30			0.76									
31			0.21									
Totals	10.32	1.85	6.83	21.63	15.63	2.97	1.11	0.51	0.00	0.00	0.00	0.31
												Water Year Total: 61.16

NOTE: All Values are in units of inches, unless otherwise specified.

LEGEND: A - Acculated Total
 E - Estimated
 T - Trace, unmeasurable amount of rain

Data Revised: July 2011

PRECIPITATION

DAILY RAINFALL SUMMARY

299F Little Rock - Schwab

Gage Type: Standard 8 inch diameter (DPW)

Observation Time: 800

Latitude 34-32-12

Longitude: 117-58-43

Elevation: 2800 Feet

Water Year from 10/01/2004 to 09/30/2005

Day	Oct	Nov	Dec	Jan	Feb	Mar	Apr	May	Jun	Jul	Aug	Sep
1												
2												
3				0.04								
4				0.28		0.10						
5			T			0.15					0.02	
6			0.03					0.03			0.19	
7				0.26								
8		0.38		0.04			0.03					
9				0.80								
10				0.52								
11				0.11	1.75							
12					0.03							
13												
14												
15											0.09	
16					0.01							
17	0.03											
18					0.09	0.21						
19					1.28	0.09						
20	1.49	0.24			0.12							0.65
21		0.28			0.82							
22					0.34	0.16						
23					0.50	0.20						
24					0.04							
25												
26				0.05						0.35		0.02
27	2.14			0.30						0.02		
28	0.02	T	1.27	0.02		0.01	0.26					
29			2.25									
30			0.13									
31												
Totals	3.68	0.90	3.68	2.42	4.98	0.92	0.29	0.03	0.00	0.37	0.30	0.67
										Water Year Total:		18.24

NOTE: All Values are in units of inches, unless otherwise specified.

LEGEND: A - Acculated Total
 E - Estimated
 T - Trace, unmeasurable amount of rain

Data Revised: July 2011

PRECIPITATION

DAILY RAINFALL SUMMARY

306H Zuma Beach

Gage Type: Standard 8 inch diameter (DPW)

Observation Time: 800

Latitude 34-01-15

Longitude: 118-49-42

Elevation: 15 Feet

Water Year from 10/01/2004 to 09/30/2005

Day	Oct	Nov	Dec	Jan	Feb	Mar	Apr	May	Jun	Jul	Aug	Sep
1												
2				0.10		0.03						
3				3.75		0.10						
4				0.41		0.17						
5			0.66			0.10		0.07				
6			0.02					0.03				
7			0.03	2.07								
8			0.21	0.50								
9				2.17				0.24				
10				0.87								
11				0.41	1.27							
12				0.05	0.20							
13												
14												
15												
16												
17	0.17				0.27				0.04			
18	0.26				1.72	0.11						
19	1.42				1.79	0.18						
20					0.55							0.17
21					1.81							
22					0.58	0.71	T					
23					0.47	0.22						
24								0.02				
25	0.10											
26	0.01			0.04								
27	1.32	0.13	0.35									
28	0.09	0.15	1.97	0.54	0.03	0.06	0.74					
29			1.80									
30												
31			0.80									
Totals	3.37	0.28	5.84	10.91	8.69	1.68	0.76	0.34	0.04	0.00	0.00	0.17
												Water Year Total: 32.08

NOTE: All Values are in units of inches, unless otherwise specified.

LEGEND: A - Acculated Total

E - Estimated

T - Trace, unmeasurable amount of rain

Data Revised: July 2011

PRECIPITATION

DAILY RAINFALL SUMMARY

322 Munz Valley Ranch

Gage Type: Standard 8 inch diameter (DPW)

Observation Time: 800

Latitude 34-42-50

Longitude: 118-21-15

Elevation: 2600 Feet

Water Year from 10/01/2004 to 09/30/2005

Day	Oct	Nov	Dec	Jan	Feb	Mar	Apr	May	Jun	Jul	Aug	Sep
1												
2												
3				0.76								
4				0.44		0.27	0.08					
5			0.10			0.03		0.10				
6								0.79				
7				1.19								
8				1.11								
9				3.09				0.05				
10				1.65								
11				0.70	1.51							
12					0.10							
13												
14												
15												
16												
17	0.22				0.12							
18	0.02				0.69	0.16						
19					1.98	0.02						
20	1.82				0.24							0.80
21					1.55							
22		0.03			0.32	0.43						
23					0.53	0.43						
24												
25												
26				0.03								
27	1.20											
28			2.28	0.24			0.56					
29			1.97				0.22					
30												
31			0.62									
Totals	3.26	0.03	4.97	9.21	7.04	1.34	0.86	0.94	0.00	0.00	0.00	0.80
												Water Year Total: 28.45

NOTE: All Values are in units of inches, unless otherwise specified.

LEGEND: A - Acculated Total
 E - Estimated
 T - Trace, unmeasurable amount of rain

Data Revised: July 2011

PRECIPITATION

DAILY RAINFALL SUMMARY

334B Cogswell Dam

Gage Type: Standard 8 inch diameter (DPW)

Observation Time: 800

Latitude 34-14-37

Longitude: 117-57-35

Elevation: 2300 Feet

Water Year from 10/01/2004 to 09/30/2005

Day	Oct	Nov	Dec	Jan	Feb	Mar	Apr	May	Jun	Jul	Aug	Sep
1				1.65								
2				T								
3				1.68		0.05						
4				0.47		0.13	T					
5			0.29	T		0.42		T				
6			0.23			T		0.85				
7			0.03	0.12	0.28			T				
8		0.02	0.17	4.94								
9		0.03		7.09			T					
10				5.34				0.06				
11				4.46	1.47							
12	T	0.02			3.36							
13					T							
14						0.04						
15												
16					T							
17	0.89											
18	0.53				1.17							
19	0.88				6.54	0.44						
20	9.94				3.06	0.18						0.12
21	0.88	0.86			6.31							0.41
22	T				3.18							
23					1.62	1.61						
24					0.02	0.02	T					
25				T	0.06	0.02						
26	T			0.05	0.19							
27	4.23			0.20	T							
28	0.42	0.20	3.34	0.01		0.03	1.18					
29			5.56	0.75			0.03					
30			1.58									
31			0.52									
Totals	17.77	1.13	11.72	26.76	27.26	2.94	1.21	0.91	0.00	0.00	0.00	0.53
												Water Year Total: 90.23

NOTE: All Values are in units of inches, unless otherwise specified.

LEGEND: A - Acculated Total

E - Estimated

T - Trace, unmeasurable amount of rain

Data Revised: July 2011

PRECIPITATION

DAILY RAINFALL SUMMARY

336 Silver Lake Reservoir

Gage Type: Standard 8 inch diameter

Observation Time: 800

Latitude 34-06-08

Longitude: 118-15-54

Elevation: 445 Feet

Water Year from 10/01/2004 to 09/30/2005

Day	Oct	Nov	Dec	Jan	Feb	Mar	Apr	May	Jun	Jul	Aug	Sep
1				0.40								
2												
3				1.70		0.11						
4				0.63		0.20						
5			0.13	0.22		0.57						
6			0.37		0.01			0.07				
7				0.19								
8			0.04	1.75								
9				2.95								
10				2.48								
11				1.70	1.10							
12				0.02	1.27							
13					0.02							
14												
15												
16												
17	0.57											
18	0.05				0.56							
19	0.23				1.60	0.14						
20	2.75				3.40	0.01						0.26
21	0.07	0.21			3.04							0.15
22					2.30							
23					1.37	1.22						
24							0.03					
25												
26												
27	2.25			0.05								
28	0.15	0.23	4.29	0.38			1.17					
29			3.51	0.06				T				
30			0.13									
31			0.86									
Totals	6.07	0.44	9.33	12.53	14.67	2.25	1.20	0.07	0.00	0.00	0.00	0.41
	Water Year Total:											46.97

NOTE: All Values are in units of inches, unless otherwise specified.

LEGEND: A - Acculated Total

E - Estimated

T - Trace, unmeasurable amount of rain

Data Revised: July 2011

PRECIPITATION

DAILY RAINFALL SUMMARY

356C Spadra-Lanterman Hospital

Gage Type: Standard 8 inch diameter (DPW)

Observation Time: 800

Latitude 34-02-31

Longitude: 117-48-35

Elevation: 690 Feet

Water Year from 10/01/2004 to 09/30/2005

Day	Oct	Nov	Dec	Jan	Feb	Mar	Apr	May	Jun	Jul	Aug	Sep
1												
2						A						
3		0.30		0.46		0.08A						
4				0.13		0.95						
5			A									
6			0.34A		0.10			0.22				
7				1.04								
8		0.30										
9		0.01										
10				5.35								
11				1.45	1.69							
12												
13												
14					0.66	0.01						
15											T	
16												
17	0.99				0.07							
18					0.49	0.05						
19	0.67											
20	2.98											0.43
21	0.56	1.27				0.31						T
22					7.22							
23					1.17	1.45						
24						0.02						
25						T						
26				0.39								
27	2.11	0.39		0.02								
28	0.25		1.57	0.12		T	0.97					
29			1.68									
30			0.04									
31			1.20	0.04								
Totals	7.56	2.27	4.83	9.00	11.40	2.87	0.97	0.22	0.00	0.00	0.00	0.43
	Water Year Total:											39.55

NOTE: All Values are in units of inches, unless otherwise specified.

LEGEND: A - Acculated Total

E - Estimated

T - Trace, unmeasurable amount of rain

Data Revised: July 2011

PRECIPITATION

DAILY RAINFALL SUMMARY

372 San Francisquito Power House No.2

Gage Type: Standard 8 inch diameter

Observation Time: 800

Latitude 34-32-02

Longitude: 118-31-27

Elevation: 1580 Feet

Water Year from 10/01/2004 to 09/30/2005

Day	Oct	Nov	Dec	Jan	Feb	Mar	Apr	May	Jun	Jul	Aug	Sep
1				0.03								
2				0.12								
3				1.80		0.02						
4				0.26		0.53						
5			0.08	0.03		0.07		0.41				
6								0.47				
7			0.01	0.80				0.10				
8			0.34	1.31								
9			0.06	6.50				0.10				
10				4.05								
11				1.05	1.75							
12					0.10							
13				0.10		0.02						
14												
15												
16												
17	0.52E				0.12							
18	0.04E				1.50	0.20						
19	0.38E				2.48	0.35						
20	2.46E				0.41	0.15						0.19
21	0.06E	0.02			3.00							
22					0.75	0.70						
23					0.34	0.75						
24					0.01	0.02						
25												
26			T	0.10								
27	1.43E	T	0.16	T								
28	0.14E		3.10	0.49	T		0.95					
29			2.40									
30			0.06									
31			0.25									
Totals	5.03	0.02	6.46	16.64	10.46	2.81	0.95	1.08	0.00	0.00	0.00	0.19
Water Year Total:												43.64

NOTE: All Values are in units of inches, unless otherwise specified.

LEGEND: A - Acculated Total
 E - Estimated
 T - Trace, unmeasurable amount of rain

Data Revised: July 2011

PRECIPITATION

DAILY RAINFALL SUMMARY

373C Briggs Terrace

Gage Type: Standard 8 inch diameter (DPW)

Observation Time: 800

Latitude 34-14-17

Longitude: 118-13-27

Elevation: 2200 Feet

Water Year from 10/01/2004 to 09/30/2005

Day	Oct	Nov	Dec	Jan	Feb	Mar	Apr	May	Jun	Jul	Aug	Sep
1												
2				0.71		0.12						
3				1.25		0.32						
4			0.07	0.41		1.20	0.02					
5		0.02	0.38			0.02		0.62				
6			0.03		0.08			0.22				
7		0.02		1.53								
8		0.01	0.08	3.20	0.08							
9				8.59				0.30				
10				3.70								
11				1.60								
12		0.01			2.54							
13					0.42	0.09						
14						0.04						
15											0.05	
16												
17	1.06				0.30							
18	0.86				1.23	0.30						
19	1.20				2.81	0.16						
20	4.47	0.50			1.59							0.37
21					5.16							
22					0.98	0.87						
23						0.90						
24												
25												
26	1.72			0.15	0.07							
27	2.26	0.70										
28	0.16		4.96	0.42	0.03	0.09	0.97					
29			5.54					0.03				
30			0.11									
31			1.25									
Totals	11.73	1.26	12.42	21.56	15.29	4.11	0.99	1.17	0.00	0.00	0.05	0.37
												Water Year Total: 68.95

NOTE: All Values are in units of inches, unless otherwise specified.

LEGEND: A - Acculated Total

E - Estimated

T - Trace, unmeasurable amount of rain

Data Revised: July 2011

PRECIPITATION

DAILY RAINFALL SUMMARY

388D **Paramount-County Fire Department**

Gage Type: Standard 8 inch diameter (DPW)

Observation Time: 800

Latitude 33-53-50

Longitude: 118-10-02

Elevation: 80 Feet

Water Year from 10/01/2004 to 09/30/2005

Day	Oct	Nov	Dec	Jan	Feb	Mar	Apr	May	Jun	Jul	Aug	Sep
1												
2				0.91E								
3				0.70E								
4			0.70E	0.60E								
5			0.39E					0.15				
6				0.13E								
7		0.10E	0.80E	2.00E								
8		T		2.00E								
9				1.84E				0.08				
10												
11												
12												
13												
14												
15												
16	0.44E											
17	0.25E				1.70							
18	0.29E					0.51						
19	2.57E											
20		0.30E			4.00							0.30
21					1.30							
22					0.73	1.72						
23					1.25							
24							0.23					
25				0.30E		0.10						
26	1.84E			0.38E								
27	0.21E	0.30E	1.35E									
28			1.68E	0.27E		0.10	1.56					
29			0.64E									
30			0.15E									
31			0.95E									
Totals	5.60	0.70	6.66	9.13	8.98	2.43	1.79	0.23	0.00	0.00	0.00	0.30
	Water Year Total:											35.82

NOTE: All Values are in units of inches, unless otherwise specified.

LEGEND: A - Acculated Total
 E - Estimated
 T - Trace, unmeasurable amount of rain

Data Revised: July 2011

PRECIPITATION

DAILY RAINFALL SUMMARY

405B Soledad Canyon

Gage Type: Standard 8 inch diameter (DPW)

Observation Time: 800

Latitude 34-26-23

Longitude: 118-17-33

Elevation: 2150 Feet

Water Year from 10/01/2004 to 09/30/2005

Day	Oct	Nov	Dec	Jan	Feb	Mar	Apr	May	Jun	Jul	Aug	Sep
1				0.58E								
2						0.10E						
3				1.08E								
4				0.06E		0.46E						
5			0.15			0.08E		0.28				
6								0.09				
7		0.02		1.14E								
8				0.87E								
9				2.40E								
10				1.55E	2.16							
11				0.51E								
12												
13												
14												
15												
16												
17	0.35				0.38							
18	0.05				1.57	0.29E						
19	0.99				2.37	0.05E						
20	2.73				1.12							
21		0.05			1.17							0.42
22					0.53	0.88E						
23					0.31							
24												
25					0.21							
26				0.11E								
27	2.18		0.48									
28	0.06		6.13	0.55E		0.12E	0.57					
29												
30			0.02									
31												
Totals	6.36	0.07	6.78	8.85	9.82	1.98	0.57	0.37	0.00	0.00	0.00	0.42
												Water Year Total: 35.22

NOTE: All Values are in units of inches, unless otherwise specified.

LEGEND: A - Acculated Total
 E - Estimated
 T - Trace, unmeasurable amount of rain

Data Revised: July 2011

PRECIPITATION

DAILY RAINFALL SUMMARY

406C West Azusa

Gage Type: Standard 8 inch diameter (DPW)

Observation Time: 800

Latitude 34-06-53

Longitude: 117-54-56

Elevation: 505 Feet

Water Year from 10/01/2004 to 09/30/2005

Day	Oct	Nov	Dec	Jan	Feb	Mar	Apr	May	Jun	Jul	Aug	Sep
1				0.93								
2												
3				0.70		0.09						
4				0.06								
5			0.25	0.10		0.36						
6								0.54				
7				0.16	0.08							
8			0.06	1.70								
9		0.50		3.50								
10				2.28								
11				1.63	1.24							
12					1.26							
13						0.01						
14						0.02						
15												
16												
17	0.57											
18	0.58											
19	0.27				2.50	0.23	0.05					
20	3.63				1.20	0.16						0.32
21	0.39	1.22			2.70							0.38
22					1.83	0.83						
23					0.98	0.90						
24												
25												
26				0.13								
27	2.17			0.11								
28	0.54	0.53	1.35	0.28		0.02	0.95					
29			2.15			0.09						
30			0.71									
31			0.31									
Totals	8.15	2.25	4.83	11.58	11.79	2.71	1.00	0.54	0.00	0.00	0.00	0.70
												Water Year Total: 43.55

NOTE: All Values are in units of inches, unless otherwise specified.

LEGEND: A - Acculated Total
 E - Estimated
 T - Trace, unmeasurable amount of rain

Data Revised: July 2011

PRECIPITATION

DAILY RAINFALL SUMMARY

409B Pyramid Reservoir

Gage Type: Standard 8 inch diameter

Observation Time: 800

Latitude 34-40-34

Longitude: 118-46-47

Elevation: 2505 Feet

Water Year from 10/01/2004 to 09/30/2005

Day	Oct	Nov	Dec	Jan	Feb	Mar	Apr	May	Jun	Jul	Aug	Sep
1				0.02		T						
2				0.01								
3												
4				3.21		0.13						
5			0.09E			0.07						
6								0.89				
7			0.02E		T							
8		0.01		1.73			T					
9				1.87			T	T				
10				3.50								
11				0.42	1.08							
12					0.46							
13		0.03										
14												
15												
16					0.09							
17	0.68											
18	T				2.65							
19	0.01				2.70	0.10						
20	1.78				0.40	T						0.08E
21	0.02				4.58							
22					1.31							
23					0.92	0.73						
24					0.23							
25						0.05						
26				0.04	T							
27	1.56		2.10E	0.01								
28	0.05		2.99E	0.21		T	0.70					
29			0.60E	0.45			0.02					
30			0.07E						E			
31			0.73E							E	E	
Totals	4.10	0.04	6.60	11.47	14.42	1.08	0.72	0.89	0.00	0.00	0.00	0.08
											Water Year Total:	39.40

NOTE: All Values are in units of inches, unless otherwise specified.

LEGEND: A - Acculated Total

E - Estimated

T - Trace, unmeasurable amount of rain

Data Revised: July 2011

PRECIPITATION

DAILY RAINFALL SUMMARY

425B San Gabriel Dam

Gage Type: Standard 8 inch diameter (DPW)

Observation Time: 800

Latitude 34-12-19

Longitude: 117-51-38

Elevation: 1481 Feet

Water Year from 10/01/2004 to 09/30/2005

Day	Oct	Nov	Dec	Jan	Feb	Mar	Apr	May	Jun	Jul	Aug	Sep
1				1.04								
2									T			
3				0.70		0.06						
4		0.02		0.36		0.11	T					
5			0.13	T		0.83		0.02				
6			0.14					0.88				
7				0.10	0.24							
8			0.09	3.08	0.01							
9		0.01		8.94								
10				6.87								
11				5.10	1.02							
12	T				2.23							
13					T	0.03						
14						0.02						
15											0.02	
16					T							
17	1.19											
18	0.42				0.73	0.01						
19	0.63				3.40	0.39	0.05					
20	6.81				3.34	0.19						0.13
21	0.77	1.36			3.45							0.35
22		T			2.00							
23					1.38	1.11	T					
24						0.05	0.04					
25						0.02	T					
26	0.05			0.04			0.95					
27	3.18			0.30	0.06		0.31					
28	0.71	0.43	1.42			0.01						
29			2.89	0.58								
30			1.14									
31			0.42									
Totals	13.76	1.82	6.23	27.11	17.86	2.83	1.35	0.90	0.00	0.00	0.02	0.48
												Water Year Total: 72.36

NOTE: All Values are in units of inches, unless otherwise specified.

LEGEND: A - Acculated Total

E - Estimated

T - Trace, unmeasurable amount of rain

Data Revised: July 2011

PRECIPITATION

DAILY RAINFALL SUMMARY

436C Hansen Dam

Gage Type: Standard 8 inch diameter

Observation Time: 800

Latitude 34-16-08

Longitude: 118-23-59

Elevation: 1110 Feet

Water Year from 10/01/2004 to 09/30/2005

Day	Oct	Nov	Dec	Jan	Feb	Mar	Apr	May	Jun	Jul	Aug	Sep
1												
2				0.11								
3				1.57		0.14						
4				0.60		0.70						
5			0.28			0.02		0.30				
6			0.02									
7				0.69								
8		0.02	0.05	1.23								
9				4.29				0.03				
10				2.48								
11				0.63	1.96							
12					0.14							
13												
14						0.05						
15											0.01	
16												
17	0.61				0.27							
18	0.40				1.35	0.09						
19	0.04				2.18	0.09						
20	3.14				1.09	0.07						0.11
21		0.08			3.58							
22					1.08	0.77						
23					0.86	0.79						
24												
25					0.09							
26	0.13			0.03								
27	2.76	0.12	0.02	0.01								
28		0.02	3.93	0.32		0.03	1.15					
29			2.29	0.01								
30												
31			0.94									
Totals	7.08	0.24	7.53	11.97	12.60	2.75	1.15	0.33	0.00	0.00	0.01	0.11
	Water Year Total:											43.77

NOTE: All Values are in units of inches, unless otherwise specified.

LEGEND: A - Acculated Total

E - Estimated

T - Trace, unmeasurable amount of rain

Data Revised: July 2011

PRECIPITATION

DAILY RAINFALL SUMMARY

447C Carbon Canyon

Gage Type: Standard 8 inch diameter (DPW)

Observation Time: 800

Latitude 34-02-18

Longitude: 118-38-56

Elevation: 50 Feet

Water Year from 10/01/2004 to 09/30/2005

Day	Oct	Nov	Dec	Jan	Feb	Mar	Apr	May	Jun	Jul	Aug	Sep
1				0.31								
2				T								
3				1.81		0.11						
4				0.30		0.16						
5			0.01									
6								0.26				
7			0.37	0.39								
8			0.16	1.33								
9				1.73								
10				1.93				0.19				
11				1.13	1.02							
12				0.01	0.53							
13		T										
14												
15												
16												
17	0.36											
18	0.07				0.96							
19	0.08				2.15	0.09						
20	1.63				1.20	0.01						0.07E
21	0.44				1.70							
22					0.78	1.63						
23					0.64							
24												
25												
26				0.04								
27	1.42		0.12									
28	0.62	0.16	4.07			0.02	0.72					
29			1.48	0.36								
30			0.19									
31			1.05									
Totals	4.62	0.16	7.45	9.34	8.98	2.02	0.72	0.45	0.00	0.00	0.00	0.07
	Water Year Total:											33.81

NOTE: All Values are in units of inches, unless otherwise specified.

LEGEND: A - Acculated Total

E - Estimated

T - Trace, unmeasurable amount of rain

Data Revised: July 2011

PRECIPITATION

DAILY RAINFALL SUMMARY

455B **Lancaster-State Hwy Maintenance Sta.**

Gage Type: Standard 8 inch diameter (DPW)

Observation Time: 800

Latitude 34-40-57

Longitude: 118-08-02

Elevation: 2395 Feet

Water Year from 10/01/2004 to 09/30/2005

Day	Oct	Nov	Dec	Jan	Feb	Mar	Apr	May	Jun	Jul	Aug	Sep
1												
2				0.04								
3				0.30								
4						0.25						
5			0.01					0.46				
6												
7				0.79	T							
8		0.03		0.15				0.09				
9		T		1.12								
10				0.72								
11				0.13	0.76							
12					0.92							
13												
14												
15											0.05	
16												
17	0.05				0.23							
18					1.24	0.42						
19	1.11				0.66							
20					0.74							0.71
21	0.05				0.33							
22		0.19			0.33	0.32						
23					0.08	0.24				T		
24												
25												
26				T								
27	1.16											0.06
28	0.02		1.31	0.52			0.39					
29			2.05									
30												
31			0.21									
Totals	2.39	0.22	3.58	3.77	5.29	1.23	0.39	0.55	0.00	0.00	0.05	0.77
												Water Year Total: 18.24

NOTE: All Values are in units of inches, unless otherwise specified.

LEGEND: A - Acculated Total

 E - Estimated

 T - Trace, unmeasurable amount of rain

Data Revised: July 2011

PRECIPITATION

DAILY RAINFALL SUMMARY

465C Sepulveda Dam

Gage Type: Standard 8 inch diameter

Observation Time: 800

Latitude 34-10-06

Longitude: 118-28-11

Elevation: 683 Feet

Water Year from 10/01/2004 to 09/30/2005

Day	Oct	Nov	Dec	Jan	Feb	Mar	Apr	May	Jun	Jul	Aug	Sep
1												
2				0.06								
3				1.68		0.04						
4						0.42						
5			0.20			0.02		0.08				
6					0.10							
7		0.01		1.34		0.01						
8		0.05	0.25	0.55								
9				2.39				0.01				
10				1.59								
11				0.22	2.54							
12					0.32							
13		0.01										
14						0.01						
15												
16												
17	0.43				0.26							
18	0.07				1.72	0.06						
19	0.12				2.27	0.04						
20	3.14				1.01							0.10
21		0.41			4.22							
22					0.68	0.45						
23					0.53	0.66						
24												
25					0.09							
26	0.33			0.01								
27	1.85		0.05	0.01								
28			3.55	0.26		0.02	1.27					
29			2.00									
30												
31			1.14									
Totals	5.94	0.48	7.19	8.11	13.74	1.73	1.27	0.09	0.00	0.00	0.00	0.10
	Water Year Total:											38.65

NOTE: All Values are in units of inches, unless otherwise specified.

LEGEND: A - Acculated Total
 E - Estimated
 T - Trace, unmeasurable amount of rain

Data Revised: July 2011

PRECIPITATION

DAILY RAINFALL SUMMARY

482 Los Angeles-U.S.C.

Gage Type: Standard 8 inch diameter

Observation Time: 800

Latitude 34-01-14

Longitude: 118-17-15

Elevation: 208 Feet

Water Year from 10/01/2004 to 09/30/2005

Day	Oct	Nov	Dec	Jan	Feb	Mar	Apr	May	Jun	Jul	Aug	Sep
1				0.06								
2				0.39								
3				1.51		0.05						
4				0.21		0.69						
5			0.46					0.01				
6			0.02					0.01				
7				1.47								
8		0.01										
9			0.14					0.18				
10				4.69								
11				0.55	1.52							
12				0.13	0.54							
13												
14												
15												
16												
17	0.34				0.10E							
18	0.40				0.57E							
19					1.38E	0.07						
20	2.45				2.14E	0.20						0.29
21		0.07			1.75E							
22		0.01			1.49E	1.02						
23					0.65E	0.19						
24						0.01	0.01					
25												
26				0.10								0.01
27	1.65		1.31E	0.01		0.10						
28		0.17	4.58E	0.22			1.10					
29			0.58E									
30												
31			1.10									
Totals	4.84	0.26	8.19	9.34	10.14	2.33	1.11	0.20	0.00	0.00	0.00	0.30
											Water Year Total:	36.71

NOTE: All Values are in units of inches, unless otherwise specified.

LEGEND: A - Acculated Total
 E - Estimated
 T - Trace, unmeasurable amount of rain

Data Revised: July 2011

PRECIPITATION

DAILY RAINFALL SUMMARY

488B Kagel Canyon Patrol Station

Gage Type: Standard 8 inch diameter (DPW)

Observation Time: 800

Latitude 34-17-45

Longitude: 118-22-30

Elevation: 1450 Feet

Water Year from 10/01/2004 to 09/30/2005

Day	Oct	Nov	Dec	Jan	Feb	Mar	Apr	May	Jun	Jul	Aug	Sep
1				0.59								
2												
3				0.95		0.17						
4				0.75		0.60						
5			0.30	0.11		0.13		0.80				
6			0.20					0.30				
7				0.16	0.02							
8			0.10									
9				1.12								
10								0.10				
11				2.00	0.75							
12				1.92	1.05							
13												
14											0.05	
15												
16												
17	0.52E											
18	0.07E				0.80							
19	0.45E				2.00	0.26						
20	3.21E				1.02							0.10
21	0.04E	0.15			2.02							
22					1.54							0.10
23					1.12	1.35						
24												
25												
26				0.01	0.04							
27	2.31E		0.05									
28	0.15E	2.00	2.00	0.50		0.05	1.60					
29			2.00	0.14								
30			0.30									
31												
Totals	6.75	2.15	4.95	8.25	10.36	2.56	1.60	1.20	0.00	0.00	0.05	0.20
												Water Year Total: 38.07

NOTE: All Values are in units of inches, unless otherwise specified.

LEGEND: A - Acculated Total
 E - Estimated
 T - Trace, unmeasurable amount of rain

Data Revised: July 2011

PRECIPITATION

DAILY RAINFALL SUMMARY

497 **Claremont-Slaughter**

Gage Type: Standard 8 inch diameter (DPW)

Observation Time: 800

Latitude 34-07-35

Longitude: 117-43-55

Elevation: 1350 Feet

Water Year from 10/01/2004 to 09/30/2005

Day	Oct	Nov	Dec	Jan	Feb	Mar	Apr	May	Jun	Jul	Aug	Sep
1												
2				0.02					0.01			
3				0.54		0.18						
4				0.14		0.24						
5			0.22	0.01		0.02		0.06				
6			0.04		0.02			1.06				
7				0.67	0.03							
8		0.08	0.05	2.05	0.04							
9		0.01	0.02	4.00								
10				2.35								
11				1.63	3.70							
12					0.55							
13						0.06						
14												
15												
16	1.03											
17	0.38				0.20							
18	0.27				0.57	0.18						
19	0.46				2.88	0.55	0.17					
20	2.79				0.74							0.25
21	1.21	0.87			2.08							
22					1.80	0.81						
23					0.82	0.37						
24							0.30					
25				0.03								
26				0.35	0.07							
27	2.64	0.30		0.16								
28	0.13	0.09	1.64	0.38			0.94					
29			2.14				0.02					
30			0.29									
31			0.74									
Totals	8.91	1.35	5.14	12.33	13.50	2.41	1.43	1.12	0.01	0.00	0.00	0.25
												Water Year Total: 46.45

NOTE: All Values are in units of inches, unless otherwise specified.

LEGEND: A - Acculated Total

 E - Estimated

 T - Trace, unmeasurable amount of rain

Data Revised: July 2011

PRECIPITATION

DAILY RAINFALL SUMMARY

542 Fairmont

Gage Type: Standard 8 inch diameter

Observation Time: 800

Latitude 34-42-15

Longitude: 118-25-40

Elevation: 3050 Feet

Water Year from 10/01/2004 to 09/30/2005

Day	Oct	Nov	Dec	Jan	Feb	Mar	Apr	May	Jun	Jul	Aug	Sep
1				0.50		0.02						
2				0.01								
3				1.22								
4				0.53		0.17	0.03					
5			0.14	0.05		0.19						
6			T			0.02		0.90				
7				0.28	T							
8			0.03	2.14								
9		0.01		3.45			0.04	0.03				
10				3.85				0.04				
11				1.07	0.78							
12				0.02	0.91							
13		0.03		0.01								
14												
15											0.17	
16					T							
17	0.34											
18	0.05				0.55	0.02						
19	0.24				2.53	0.20						
20	2.56				0.93	0.10						0.80
21	0.15				1.92							
22		0.02			1.07							
23					0.51	1.07	0.01					
24					0.10	0.11						
25												
26				0.02								
27	1.65		0.10	0.02								
28	0.14	0.02	2.41			0.02	0.73					
29			2.60	0.27		T	0.29					
30			0.18									
31			0.70									
Totals	5.13	0.08	6.16	13.44	9.30	1.92	1.10	0.97	0.00	0.00	0.17	0.80
											Water Year Total:	39.07

NOTE: All Values are in units of inches, unless otherwise specified.

LEGEND: A - Acculated Total

E - Estimated

T - Trace, unmeasurable amount of rain

Data Revised: July 2011

PRECIPITATION

DAILY RAINFALL SUMMARY

564C Llano

Gage Type: Standard 8 inch diameter (DPW)

Observation Time: 800

Latitude 34-29-13

Longitude: 117-50-02

Elevation: 3390 Feet

Water Year from 10/01/2004 to 09/30/2005

Day	Oct	Nov	Dec	Jan	Feb	Mar	Apr	May	Jun	Jul	Aug	Sep
1												
2												
3				0.15								
4				0.34		0.02						
5						0.42						
6			0.08					0.06				
7				0.14								
8		0.28									0.17	
9				0.62								
10				0.56								
11				0.15	0.92							
12					0.94							
13												
14												
15											0.11	
16												
17	0.02											
18					0.10							
19					1.35	0.30						
20	1.52				0.49							0.16
21	0.06				1.31							0.45
22		0.89			0.97							
23					0.51	0.24						
24					0.02					0.39		
25				0.02								
26				0.02								
27	1.79											
28	0.02		1.25				0.20					
29			2.20									
30												
31			0.11									
Totals	3.41	1.17	3.64	2.00	6.61	0.98	0.20	0.06	0.00	0.39	0.28	0.61
										Water Year Total:		19.35

NOTE: All Values are in units of inches, unless otherwise specified.

LEGEND: A - Acculated Total
 E - Estimated
 T - Trace, unmeasurable amount of rain

Data Revised: July 2011

PRECIPITATION

DAILY RAINFALL SUMMARY

591B Santa Anita Reservoir

Gage Type: Standard 8 inch diameter

Observation Time: 800

Latitude 34-11-08

Longitude: 118-06-16

Elevation: 1205 Feet

Water Year from 10/01/2004 to 09/30/2005

Day	Oct	Nov	Dec	Jan	Feb	Mar	Apr	May	Jun	Jul	Aug	Sep
1				0.69								
2												
3				2.49		0.21						
4				0.62		0.50						
5			0.04	0.02		0.53		0.43				
6			0.43		0.08							
7			0.03	0.24	0.17							
8			0.02	2.30	0.50							
9				6.00								
10				5.00								
11				3.40	1.36							
12					1.74							
13												
14						0.24						
15											0.01	
16												
17	0.30											
18	0.60				1.11							
19	0.38				2.54	0.41						
20	6.46				1.94	0.10						0.25
21		0.87			3.29							0.22
22					1.37							
23					1.34	1.06						
24					0.02		0.70					
25						0.04						
26	0.20			0.09								
27	2.75	0.52		0.18								
28	0.12		3.47			0.05	0.85					
29			3.54	0.30		0.06	0.05					
30			0.33									
31			0.31									
Totals	10.81	1.39	8.17	21.33	15.46	3.20	1.60	0.43	0.00	0.00	0.01	0.47
												Water Year Total: 62.87

NOTE: All Values are in units of inches, unless otherwise specified.

LEGEND: A - Acculated Total

E - Estimated

T - Trace, unmeasurable amount of rain

Data Revised: July 2011

PRECIPITATION

DAILY RAINFALL SUMMARY

598D Neenach-Check 43-California D.W.R.

Gage Type: Standard 8 inch diameter

Observation Time: 800

Latitude 34-47-40

Longitude: 118-37-15

Elevation: 2965 Feet

Water Year from 10/01/2004 to 09/30/2005

Day	Oct	Nov	Dec	Jan	Feb	Mar	Apr	May	Jun	Jul	Aug	Sep
1				0.06								
2				T								
3				1.87								
4				0.14		0.25	0.05					
5				0.02		0.23		0.64E				
6			T	T		T		0.01E			0.01E	
7		T		0.86								
8		0.03		1.34								
9			0.04	1.97				0.02E				
10				0.22			0.06	0.02E				
11				0.04	1.17							
12		0.02			0.22							
13		T			0.04							
14												
15											0.07E	
16					0.04							
17	0.19				T							
18	T				0.53							
19	0.07				2.14	0.02						
20	0.81				0.30	1.00						0.40
21	T				1.88							
22					0.45	0.40						
23												
24					0.72	0.02	0.02					
25												
26				0.05								
27	1.16		0.09	0.01		0.02						
28	0.09	0.07	2.76	0.02			0.37					
29		T	1.12	0.39								
30			0.02						E			
31			0.48							E		
Totals	2.32	0.12	4.51	6.99	7.49	1.94	0.50	0.69	0.00	0.00	0.08	0.40
												Water Year Total: 25.04

NOTE: All Values are in units of inches, unless otherwise specified.

LEGEND: A - Acculated Total

E - Estimated

T - Trace, unmeasurable amount of rain

Data Revised: July 2011

PRECIPITATION

DAILY RAINFALL SUMMARY

610B Pasadena-City Hall

Gage Type: Daily Automatic

Observation Time: 2400

Latitude 34-08-54

Longitude: 118-08-36

Elevation: 864 Feet

Water Year from 10/01/2004 to 09/30/2005

Day	Oct	Nov	Dec	Jan	Feb	Mar	Apr	May	Jun	Jul	Aug	Sep
1												
2				0.26								
3				1.67		0.32						
4				0.42		1.03						
5			0.52	0.01		0.01		0.04				
6			0.08		0.10							
7		0.01		1.41								
8				1.65	0.01							
9				5.17								
10				3.59								
11				1.08	2.46							
12					0.86							
13						0.01						
14												
15											0.02	
16												
17	0.23				0.17							
18	0.27				1.08							
19	0.20				3.21	0.27						
20	5.14				1.37	0.09						0.26
21		1.21			4.15							0.09
22					1.22	0.16						
23					0.99	1.27						
24						0.04	0.04					
25						0.01						
26				0.18								
27	2.91	0.15		0.06								
28	0.02	0.23	3.90	0.38			1.39					
29			3.68	0.01								
30			0.01							E		
31			1.35									
Totals	8.77	1.60	9.54	15.89	15.62	3.21	1.43	0.04	0.00	0.00	0.02	0.35
												Water Year Total: 56.47

NOTE: All Values are in units of inches, unless otherwise specified.

LEGEND: A - Acculated Total

E - Estimated

T - Trace, unmeasurable amount of rain

Data Revised: July 2011

PRECIPITATION

DAILY RAINFALL SUMMARY

612B Pasadena-Chlorine Plant

Gage Type: Standard 8 inch diameter

Observation Time: 800

Latitude 34-12-04

Longitude: 118-09-49

Elevation: 1160 Feet

Water Year from 10/01/2004 to 09/30/2005

Day	Oct	Nov	Dec	Jan	Feb	Mar	Apr	May	Jun	Jul	Aug	Sep
1												
2												
3				1.47		0.45						
4				0.30		0.57						
5			0.16			0.32						
6			0.26		0.06							
7			0.02	0.50	0.06			0.38				
8		0.80	0.06	1.78	0.04							
9		0.04		4.80								
10				5.75								
11					1.38							
12					1.33							
13												
14						0.15						
15											0.01	
16												
17	0.35											
18	0.75				0.60							
19	0.51				3.45	0.38						
20	5.82				2.79	0.13						0.17
21		0.42			3.40							0.23
22					1.48							
23					1.33	1.20						
24							0.20					
25						0.02						
26	0.17			0.06								
27	3.00	0.30		0.15		0.03	0.02					
28	0.39		3.00			0.03	0.89					
29			4.72	0.43								
30			0.73									
31			0.95									
Totals	10.99	1.56	9.90	15.24	15.92	3.28	1.11	0.38	0.00	0.00	0.01	0.40
												Water Year Total: 58.79

NOTE: All Values are in units of inches, unless otherwise specified.

LEGEND: A - Acculated Total

E - Estimated

T - Trace, unmeasurable amount of rain

Data Revised: July 2011

PRECIPITATION

DAILY RAINFALL SUMMARY

613C Pasadena Fire Station

Gage Type: Standard 8 inch diameter

Observation Time: 800

Latitude 34-07-15

Longitude: 118-08-05

Elevation: 779 Feet

Water Year from 10/01/2004 to 09/30/2005

Day	Oct	Nov	Dec	Jan	Feb	Mar	Apr	May	Jun	Jul	Aug	Sep
1												
2												
3				3.04		0.33						
4				0.26		0.36						
5			0.11	0.07		0.32		0.04				
6			0.42		0.04							
7			0.01	0.75	0.09							
8			0.06	1.68	0.01							
9				4.85								
10				3.80								
11				2.67	1.00							
12					1.88							
13												
14						0.07						
15											0.03	
16												
17	0.27											
18	0.50				0.93							
19	0.38				2.67	0.27						
20	3.40				1.99	0.09						0.18
21					3.44							0.11
22					1.06							
23					1.29	1.27						
24							0.30					
25						0.02						
26				0.14								
27	2.24	1.19										
28	0.14		3.30			0.02	0.96					
29			3.16	0.30		0.08						
30			0.45									
31												
Totals	6.93	1.19	7.51	17.56	14.40	2.83	1.26	0.04	0.00	0.00	0.03	0.29
												Water Year Total: 52.04

NOTE: All Values are in units of inches, unless otherwise specified.

LEGEND: A - Acculated Total
 E - Estimated
 T - Trace, unmeasurable amount of rain

Data Revised: July 2011

PRECIPITATION

DAILY RAINFALL SUMMARY

627 San Gabriel Canyon-Power House

Gage Type: Standard 8 inch diameter

Observation Time: 800

Latitude 34-09-20

Longitude: 117-54-28

Elevation: 744 Feet

Water Year from 10/01/2004 to 09/30/2005

Day	Oct	Nov	Dec	Jan	Feb	Mar	Apr	May	Jun	Jul	Aug	Sep
1				0.04								
2												
3				0.78		0.34						
4				0.16		0.19						
5			0.14	0.04		0.32		0.16				
6			0.09					1.23				
7				0.12	0.13			0.08				
8				1.95	0.07							
9		0.07	0.06	4.95								
10				5.11								
11				3.04	1.18							
12					1.58							
13						0.08						
14						0.01						
15												
16												
17	0.57											
18	0.49				0.62							
19	0.25				2.68	0.30	0.33					
20	4.28				2.65	0.23						0.26
21	0.52	1.35			2.83							0.31
22					3.17							
23					1.04	1.01	0.01					
24							0.36					
25				0.01								
26				0.21	0.01	0.01						
27	2.41			0.23								
28	0.30	0.65	1.29	0.01		0.02	0.84					
29			2.35	0.31		0.01						
30			1.05									
31			1.14									
Totals	8.82	2.07	6.12	16.96	15.96	2.52	1.54	1.47	0.00	0.00	0.00	0.57
												Water Year Total: 56.03

NOTE: All Values are in units of inches, unless otherwise specified.

LEGEND: A - Acculated Total

E - Estimated

T - Trace, unmeasurable amount of rain

Data Revised: July 2011

PRECIPITATION

DAILY RAINFALL SUMMARY

634C Santa Monica

Gage Type: Standard 8 inch diameter (DPW)

Observation Time: 800

Latitude 34-00-43

Longitude: 118-29-27

Elevation: 94 Feet

Water Year from 10/01/2004 to 09/30/2005

Day	Oct	Nov	Dec	Jan	Feb	Mar	Apr	May	Jun	Jul	Aug	Sep
1												
2				0.15								
3				1.46		0.15						
4				0.02		0.13						
5			0.31					0.05				
6			0.03					0.01				
7		0.01		1.70								
8			0.21	0.50								
9				1.87				0.09				
10				1.83								
11				0.57	1.35							
12					0.32							
13												
14												
15												
16												
17	0.61				0.40							
18	0.07				1.12							
19	0.35				3.88	0.06						
20	0.79				1.07	0.04						0.20
21		0.30			2.36							
22					0.56	0.01						
23					0.60	1.10						
24					0.01	0.02	0.02					
25												
26			0.01	0.01								
27	1.26	0.02	0.08									
28	0.05	0.17	2.25	0.39	0.01	0.05	0.85					
29			1.59									
30			0.01									
31			1.54									
Totals	3.13	0.50	6.03	8.50	11.68	1.56	0.87	0.15	0.00	0.00	0.00	0.20
												Water Year Total: 32.62

NOTE: All Values are in units of inches, unless otherwise specified.

LEGEND: A - Acculated Total
 E - Estimated
 T - Trace, unmeasurable amount of rain

Data Revised: July 2011

PRECIPITATION

DAILY RAINFALL SUMMARY

680B Westwood (U.C.L.A.)

Gage Type: Standard 8 inch diameter

Observation Time: 800

Latitude 34-04-10

Longitude: 118-26-30

Elevation: 430 Feet

Water Year from 10/01/2004 to 09/30/2005

Day	Oct	Nov	Dec	Jan	Feb	Mar	Apr	May	Jun	Jul	Aug	Sep
1												
2				0.34								
3				1.51		0.22						
4				0.01		0.18						
5			0.50	T		0.01		0.11				
6			0.04		0.41			0.08				
7		0.02	T	1.76								
8			0.16	1.25								
9				4.03				0.27				
10				2.07								
11				0.93	1.74							
12	T				0.44							
13		0.01										
14												
15												
16									T		T	
17	0.94				0.13							
18	0.12				1.38	0.07						
19	0.03				1.72	0.12						
20	2.38				1.25							0.18
21		0.02			3.40							
22					0.78	0.34						
23					0.66	1.61						
24							0.03					
25	T											
26	T			0.01								
27	1.76	0.03	0.10									
28	0.01	0.16	3.23	0.49		0.03	1.29					
29			1.93					0.01				
30												
31			1.58									
Totals	5.24	0.24	7.54	12.40	11.91	2.58	1.32	0.47	0.00	0.00	0.00	0.18
												Water Year Total: 41.88

NOTE: All Values are in units of inches, unless otherwise specified.

LEGEND: A - Acculated Total
 E - Estimated
 T - Trace, unmeasurable amount of rain

Data Revised: August 2012

PRECIPITATION

DAILY RAINFALL SUMMARY

683B **Sunset Ridge**

Gage Type: Standard 8 inch diameter (DPW)

Observation Time: 800

Latitude 34-12-53

Longitude: 118-08-47

Elevation: 2110 Feet

Water Year from 10/01/2004 to 09/30/2005

Day	Oct	Nov	Dec	Jan	Feb	Mar	Apr	May	Jun	Jul	Aug	Sep
1				0.15								
2												
3				2.35		0.35						
4		0.01		0.30		0.87	T					
5			0.14	0.10		0.02		0.24				
6			0.26		0.20			0.27				
7			0.04	0.12	0.02							
8		0.02	0.06	2.10	0.04							
9		0.08		5.20								
10				5.70				0.04				
11				3.50	1.35							
12		0.01			1.58							
13					0.01	0.03						
14						0.19						
15											0.01	
16												
17	0.85											
18	0.62				0.66	0.25						
19	0.50				3.64	0.19	0.02					
20	6.01				2.64	0.15						
21		0.68			3.46							0.23
22	0.57				1.43							
23					1.27	1.01						
24						0.01	0.02					
25						0.02						
26	0.01			0.04								
27	2.87			0.22			0.02					
28	0.42	0.42	3.20	0.32		0.03	0.76					
29			4.04	0.16		0.02	0.03	0.02				
30			0.48					0.04				
31			0.72									
Totals	11.85	1.22	8.94	20.26	16.30	3.14	0.85	0.61	0.00	0.00	0.01	0.23
												Water Year Total: 63.41

NOTE: All Values are in units of inches, unless otherwise specified.

LEGEND: A - Acculated Total

 E - Estimated

 T - Trace, unmeasurable amount of rain

Data Revised: July 2011

PRECIPITATION

DAILY RAINFALL SUMMARY

695B Tujung Canyon-Vogel Flat

Gage Type: Standard 8 inch diameter (DPW)

Observation Time: 800

Latitude 34-17-12

Longitude: 118-13-32

Elevation: 1850 Feet

Water Year from 10/01/2004 to 09/30/2005

Day	Oct	Nov	Dec	Jan	Feb	Mar	Apr	May	Jun	Jul	Aug	Sep
1						0.06						
2						0.08						
3				1.67		0.53						
4		T		0.45								
5			0.41	0.06		0.81		T				
6			0.05					0.95				
7				0.21	0.02							
8		0.36	0.04	4.36								
9		0.03		5.42								
10				4.62				0.11				
11				5.06	0.86							
12		T			1.88							
13												
14												
15												
16												
17	1.18											
18	0.28				2.14							
19	0.71				1.46	0.37						0.30
20	6.38				2.84	0.21						0.14
21	0.65	0.33			4.23							
22					1.61							
23					1.60	1.55						
24												
25												
26					0.05							
27	3.19			0.39								
28	0.82	0.24	2.90			0.10	1.50					
29				0.52			0.07					
30			7.37									
31			0.90									
Totals	13.21	0.96	11.67	22.76	16.69	3.71	1.57	1.06	0.00	0.00	0.00	0.44
												Water Year Total: 72.07

NOTE: All Values are in units of inches, unless otherwise specified.

LEGEND: A - Acculated Total

E - Estimated

T - Trace, unmeasurable amount of rain

Data Revised: July 2011

PRECIPITATION

DAILY RAINFALL SUMMARY

716 Los Angeles-Ducommun St.

Gage Type: Standard 8 inch diameter

Observation Time: 800

Latitude 34-03-09

Longitude: 118-14-13

Elevation: 306 Feet

Water Year from 10/01/2004 to 09/30/2005

Day	Oct	Nov	Dec	Jan	Feb	Mar	Apr	May	Jun	Jul	Aug	Sep
1				0.14								
2				1.01								
3				0.35		0.09						
4				0.27		0.21						
5			0.58	0.27		0.07		T				
6								0.02				
7				0.13								
8			0.06	1.71								
9				2.47				T				
10				1.79				0.03				
11				1.74	1.09							
12					1.27							
13												
14												
15									T			
16												
17	0.62											
18	0.19				0.46							
19	0.29				1.13	0.17						
20	2.36				3.02							0.11
21	0.23	0.14			2.31							0.34
22		0.01			2.04							
23					1.07	1.24						
24								0.02				
25												
26				0.01								
27	2.11		0.01	0.01								
28	0.05	0.19	1.92					1.04				
29			4.50	0.21		0.02	T					
30			0.37									
31			1.02									
Totals	5.85	0.34	8.46	10.11	12.39	1.80	1.06	0.05	0.00	0.00	0.00	0.45
												Water Year Total: 40.51

NOTE: All Values are in units of inches, unless otherwise specified.

LEGEND: A - Acculated Total

E - Estimated

T - Trace, unmeasurable amount of rain

Data Revised: July 2011

PRECIPITATION

DAILY RAINFALL SUMMARY

726C Angeles Crest Guard Station

Gage Type: Standard 8 inch diameter (DPW)

Observation Time: 800

Latitude 34-14-01

Longitude: 118-11-04

Elevation: 2300 Feet

Water Year from 10/01/2004 to 09/30/2005

Day	Oct	Nov	Dec	Jan	Feb	Mar	Apr	May	Jun	Jul	Aug	Sep
1												
2				1.25								
3				1.50								
4				0.51		0.26						
5			0.37					1.03				
6								0.01				
7			0.15		0.15							
8				3.50								
9		0.10		6.00								
10												
11		T		8.00E	3.25							
12												
13						0.01						
14						0.11						
15												
16												
17	1.25											
18	1.66				0.76							
19	1.05				3.85	0.43						
20	6.02				2.34	0.26						
21		0.49			3.87							0.42
22					1.68							
23					1.35	1.59						
24												
25					0.13	0.02						
26												
27	4.21	0.28										
28	0.58		3.59	0.72	0.01		1.03					
29			7.50									
30			1.09									
31												
Totals	14.77	0.87	12.70	21.48	17.39	2.68	1.03	1.04	0.00	0.00	0.00	0.42
												Water Year Total: 72.38

NOTE: All Values are in units of inches, unless otherwise specified.

LEGEND: A - Acculated Total
 E - Estimated
 T - Trace, unmeasurable amount of rain

Data Revised: July 2011

PRECIPITATION

DAILY RAINFALL SUMMARY

749B Burbank Valley Pump Plant

Gage Type: Standard 8 inch diameter

Observation Time: 800

Latitude 34-11-11

Longitude: 118-20-54

Elevation: 655 Feet

Water Year from 10/01/2004 to 09/30/2005

Day	Oct	Nov	Dec	Jan	Feb	Mar	Apr	May	Jun	Jul	Aug	Sep
1												
2				1.38		0.22						
3				0.45		0.19						
4				0.22		0.73						
5			0.51			0.02		0.19				
6				0.09	0.01							
7		0.03	0.02	2.17	0.01							
8				1.87								
9				2.71								
10				1.63	1.09							
11					1.46							
12					0.01	0.01						
13												
14												
15												
16	0.57											
17	0.10				0.74							
18	0.34				2.40	0.11						
19	3.00				2.27							0.11
20	0.80	0.31			3.40							0.21
21					0.83							
22					1.34	1.46						
23					T	0.01	0.10					
24												
25				0.02	0.03							
26	2.25		0.03									
27	0.20	0.28	2.07			0.02	1.34					
28			3.49	0.45		T	0.03					
29			0.57									
30			0.18									
31			0.88									
Totals	7.26	0.62	7.75	10.99	13.59	2.77	1.47	0.19	0.00	0.00	0.00	0.32
Water Year Total:												44.96

NOTE: All Values are in units of inches, unless otherwise specified.

LEGEND: A - Acculated Total

E - Estimated

T - Trace, unmeasurable amount of rain

Data Revised: July 2011

PRECIPITATION

DAILY RAINFALL SUMMARY

750B Palmdale-F.A.A. Airport

Gage Type: Standard 8 inch diameter (DPW)

Observation Time: 800

Latitude 34-37-20

Longitude: 118-05-00

Elevation: 2528 Feet

Water Year from 10/01/2004 to 09/30/2005

Day	Oct	Nov	Dec	Jan	Feb	Mar	Apr	May	Jun	Jul	Aug	Sep
1												
2												
3				0.27								
4				0.30								
5												
6												
7												
8		0.17										
9								0.20				
10				2.15								
11					0.80							
12				0.62			0.13					
13												0.15
14					0.93							0.65
15											0.14	
16												
17												
18												
19												
20	1.56											
21	0.10					0.25						
22					2.15							
23					0.49	0.48						
24					0.30	0.03						
25												
26				0.05								
27	1.53											0.06
28	0.28		1.45				0.38					
29		0.34										
30			2.15									
31				0.41								
Totals	3.47	0.51	3.60	3.80	4.67	0.76	0.51	0.20	0.00	0.00	0.14	0.86
												Water Year Total: 18.52

NOTE: All Values are in units of inches, unless otherwise specified.

LEGEND: A - Acculated Total
 E - Estimated
 T - Trace, unmeasurable amount of rain

Data Revised: July 2011

PRECIPITATION

DAILY RAINFALL SUMMARY

794 Lower Franklin Reservoir

Gage Type: Standard 8 inch diameter

Observation Time: 800

Latitude 34-05-43

Longitude: 118-24-40

Elevation: 585 Feet

Water Year from 10/01/2004 to 09/30/2005

Day	Oct	Nov	Dec	Jan	Feb	Mar	Apr	May	Jun	Jul	Aug	Sep
1				0.68								
2				0.01	0.01							
3				1.84		0.19						
4				0.02		0.10						
5			0.13	0.14		0.12						
6			0.42					0.18				
7				0.14	0.08							
8		0.01	0.12	2.90								
9				2.98				0.14				
10				3.97				0.01				
11				0.96	1.25							
12				0.02	1.29							
13		0.01										
14												
15												
16												
17	0.68											
18	0.13				0.87							
19	0.14				2.45	0.13						
20	2.82				2.08	0.06						0.11
21	0.19	0.15			3.37							0.01
22					0.58							
23					0.98	1.64						
24						0.01	0.02					
25												
26				0.02								
27	1.78		0.09									
28	0.05	0.12	2.88	0.37		0.02	1.37					
29			2.30	0.11				0.01				
30			0.02									
31			0.65									
Totals	5.79	0.29	6.61	14.16	12.96	2.27	1.39	0.34	0.00	0.00	0.00	0.12
Water Year Total:												43.93

NOTE: All Values are in units of inches, unless otherwise specified.

LEGEND: A - Acculated Total

E - Estimated

T - Trace, unmeasurable amount of rain

Data Revised: July 2011

PRECIPITATION

DAILY RAINFALL SUMMARY

795 Pasadena-Jourdan

Gage Type: Standard 8 inch diameter

Observation Time: 800

Latitude 34-08-52

Longitude: 118-05-14

Elevation: 705 Feet

Water Year from 10/01/2004 to 09/30/2005

Day	Oct	Nov	Dec	Jan	Feb	Mar	Apr	May	Jun	Jul	Aug	Sep
1												
2												
3				2.29		0.20						
4				0.66		0.35						
5			0.04	0.01		0.93		0.06				
6			0.34		0.04							
7			0.01	0.73	0.12							
8			0.15	1.95								
9				4.84								
10				3.43								
11				2.86	1.35							
12					1.79							
13												
14						0.06						
15												
16												
17	0.27											
18	0.60				0.61							
19	0.42				2.89	0.28						
20	4.27				1.97	0.11						0.16
21		0.75			2.67							0.19
22					1.07							
23					1.31	1.10						
24					0.02		0.30					
25						0.02						
26				0.13								
27	2.33	0.36										
28	0.34		2.76			0.02	0.87					
29			2.58	0.22		0.02	0.01					
30			0.15									
31												
Totals	8.23	1.11	6.03	17.12	13.84	3.09	1.18	0.06	0.00	0.00	0.00	0.35
												Water Year Total: 51.01

NOTE: All Values are in units of inches, unless otherwise specified.

LEGEND: A - Acculated Total
 E - Estimated
 T - Trace, unmeasurable amount of rain

Data Revised: July 2011

PRECIPITATION

DAILY RAINFALL SUMMARY

797 De Soto Reservoir

Gage Type: Standard 8 inch diameter

Observation Time: 800

Latitude 34-16-17

Longitude: 118-35-12

Elevation: 1127 Feet

Water Year from 10/01/2004 to 09/30/2005

Day	Oct	Nov	Dec	Jan	Feb	Mar	Apr	May	Jun	Jul	Aug	Sep
1												
2				0.71		0.01						
3				0.34								
4				0.62		0.17						
5			0.35					0.11				
6												
7		0.01	0.21	1.62								
8			0.01	1.57								
9				2.91				0.09				
10				1.52								
11				0.26	1.78							
12	0.03				0.01							
13		0.01										
14												
15												
16	0.03											
17	0.85				0.26							
18	0.34				1.11	0.12						
19	1.48				1.37	0.22						
20	0.81				1.18	0.01						0.04
21		0.43			1.11							
22					1.06	0.87						
23					0.01							
24						0.01						
25												
26	1.76			0.05								
27	0.51	0.14	0.05	0.02								
28	0.04		2.68	0.46		0.06	0.39					
29			1.25									
30			0.02									
31			0.27									
Totals	5.85	0.59	4.84	10.08	7.89	1.47	0.39	0.20	0.00	0.00	0.00	0.04
												Water Year Total: 31.35

NOTE: All Values are in units of inches, unless otherwise specified.

LEGEND: A - Acculated Total

E - Estimated

T - Trace, unmeasurable amount of rain

Data Revised: July 2011

PRECIPITATION

DAILY RAINFALL SUMMARY

802C Eagle Rock Reservoir

Gage Type: Standard 8 inch diameter

Observation Time: 800

Latitude 34-08-47

Longitude: 118-11-20

Elevation: 970 Feet

Water Year from 10/01/2004 to 09/30/2005

Day	Oct	Nov	Dec	Jan	Feb	Mar	Apr	May	Jun	Jul	Aug	Sep
1												
2												
3				1.47		0.30						
4				0.50		0.51						
5			0.37	0.18		0.08						
6			0.18					0.13				
7			0.02	0.36	0.05			0.01				
8			0.05	1.36								
9				3.35								
10				3.70				T				
11				2.52	1.03							
12					1.55				T			
13						0.05						
14												
15											0.04	
16												
17	0.57											
18	0.12				0.56							
19	0.33				2.15	0.28						
20	1.82				3.10							0.36
21	0.14	0.60			2.98							0.02
22					1.16							
23					1.31	1.13E						
24						0.03	0.05					
25												
26				0.10								
27	2.40											
28	0.19	0.28	1.85	0.30		0.02	1.00					
29			4.33	0.28		0.02	0.15	T				
30			0.76									
31			1.04									
Totals	5.57	0.88	8.60	14.12	13.89	2.42	1.20	0.14	0.00	0.00	0.04	0.38
												Water Year Total: 47.24

NOTE: All Values are in units of inches, unless otherwise specified.

LEGEND: A - Acculated Total

E - Estimated

T - Trace, unmeasurable amount of rain

Data Revised: August 2012

PRECIPITATION

DAILY RAINFALL SUMMARY

807 Ascot Reservoir

Gage Type: Standard 8 inch diameter

Observation Time: 800

Latitude 34-04-46

Longitude: 118-11-14

Elevation: 620 Feet

Water Year from 10/01/2004 to 09/30/2005

Day	Oct	Nov	Dec	Jan	Feb	Mar	Apr	May	Jun	Jul	Aug	Sep
1				0.07								
2				0.51								
3				0.91		0.20						
4				0.39		0.36						
5			0.34	0.23		0.08		0.01				
6			0.18					0.11				
7			0.01	0.25	0.02							
8			0.05	1.54								
9				2.91								
10				2.75								
11				2.13	1.01							
12					1.32							
13						0.03						
14												
15												
16	0.17											
17	0.44				0.47							
18	0.28				1.84							
19	1.09				2.65	0.23						
20	0.97				2.01							0.35
21	0.13	0.35			1.98							0.03
22					1.03							
23					0.57	0.62						
24						0.02	0.03					
25												
26	0.71			0.03								
27	1.52	0.02	0.03									
28	0.03	0.19	3.50	0.07		0.01	1.09					
29			3.42	0.31		0.02						
30			0.30									
31			1.02									
Totals	5.34	0.56	8.85	12.10	12.90	1.57	1.12	0.12	0.00	0.00	0.00	0.38
Water Year Total:												42.94

NOTE: All Values are in units of inches, unless otherwise specified.

LEGEND: A - Acculated Total

E - Estimated

T - Trace, unmeasurable amount of rain

Data Revised: July 2011

PRECIPITATION

DAILY RAINFALL SUMMARY

1005B Mint Canyon Fire Station

Gage Type: Standard 8 inch diameter (DPW)

Observation Time: 800

Latitude 34-30-35

Longitude: 118-21-40

Elevation: 2300 Feet

Water Year from 10/01/2004 to 09/30/2005

Day	Oct	Nov	Dec	Jan	Feb	Mar	Apr	May	Jun	Jul	Aug	Sep
1				0.46								
2						0.04E						
3				0.74E								
4				0.08E		0.41E						
5			0.05	0.02E		0.13E						
6												
7				0.58E								
8			0.04	0.68E				0.35				
9			0.01	2.09E								
10				1.40E								
11				0.39E								
12												
13		0.01		0.01	2.01							
14		0.04				0.03E						
15											0.04E	
16												
17												
18					2.00							
19	1.00											
20	1.50				2.00	0.43E						0.31E
21	0.80	0.19			6.00	0.05E						0.02E
22												
23		0.10				1.05E						
24												
25												
26				0.08E								
27	1.34			0.01E								
28	0.30	0.02	2.58	0.50E		0.15E	0.71E					
29			2.50	0.04E			0.05E					
30									E			
31										E		
Totals	4.94	0.36	5.18	7.08	12.01	2.29	0.76	0.35	0.00	0.00	0.04	0.33
												Water Year Total: 33.34

NOTE: All Values are in units of inches, unless otherwise specified.

LEGEND: A - Acculated Total

E - Estimated

T - Trace, unmeasurable amount of rain

Data Revised: July 2011

PRECIPITATION

DAILY RAINFALL SUMMARY

1006 San Pedro-City Reservoir

Gage Type: Standard 8 inch diameter

Observation Time: 800

Latitude 33-44-37

Longitude: 118-17-47

Elevation: 150 Feet

Water Year from 10/01/2004 to 09/30/2005

Day	Oct	Nov	Dec	Jan	Feb	Mar	Apr	May	Jun	Jul	Aug	Sep
1				0.02								
2									T			
3				0.94		0.08						
4				0.28		0.03						
5			1.04					0.02				
6			0.55					0.09				
7				0.89								
8		0.05	0.40	0.42								
9				0.78								
10				2.70				0.10				
11				0.37	1.12							
12					1.17							
13					0.05							
14		0.06										
15												
16												
17	0.70											
18	0.04				0.70							
19	0.14				1.32	0.18						
20	1.63				0.02	0.03						0.33
21	0.02	0.51			1.35							0.13
22					0.34							
23					1.15	0.73						
24							0.40					
25												
26				0.02								
27	1.48			0.03								
28	0.04	0.14	2.47	0.05		0.09	1.31					
29			1.63	0.75			T					
30			0.25									
31			0.60									
Totals	4.05	0.76	6.94	7.25	7.22	1.14	1.71	0.21	0.00	0.00	0.00	0.46
Water Year Total:												29.74

NOTE: All Values are in units of inches, unless otherwise specified.

LEGEND: A - Acculated Total

E - Estimated

T - Trace, unmeasurable amount of rain

Data Revised: July 2011

PRECIPITATION

DAILY RAINFALL SUMMARY

1011B Palos Verdes Fire Station

Gage Type: Standard 8 inch diameter (DPW)

Observation Time: 800

Latitude 33-45-25

Longitude: 118-21-11

Elevation: 1275 Feet

Water Year from 10/01/2004 to 09/30/2005

Day	Oct	Nov	Dec	Jan	Feb	Mar	Apr	May	Jun	Jul	Aug	Sep
1												
2												
3				0.74								
4				0.60		0.31	0.01					
5			0.30									
6			0.62	0.02								
7				0.46				0.07E				
8												
9			0.32	2.00				0.02E				
10				2.00								
11				0.67	2.00							
12				0.10	2.00							
13					0.50							
14					1.00	0.02						
15												
16												
17												
18					1.00							
19					2.00	0.31						
20					1.00E	0.05						0.35
21					1.00E							
22					0.70	1.20						
23												
24						0.01	0.28					
25						0.01						
26							0.25					
27			0.02	0.06								
28			2.00	0.07		0.05						
29			1.35	0.60			1.05					
30									0.01E			
31			1.30									
Totals	0.00	0.00	5.91	7.32	11.20	1.96	1.59	0.09	0.01	0.00	0.00	0.35
	Water Year Total:											28.43

NOTE: All Values are in units of inches, unless otherwise specified.

LEGEND: A - Acculated Total
 E - Estimated
 T - Trace, unmeasurable amount of rain

Data Revised: July 2011

PRECIPITATION

DAILY RAINFALL SUMMARY

1037 Arcadia-Arboretum

Gage Type: Standard 8 inch diameter (DPW)

Observation Time: 800

Latitude 34-08-48

Longitude: 118-02-59

Elevation: 565 Feet

Water Year from 10/01/2004 to 09/30/2005

Day	Oct	Nov	Dec	Jan	Feb	Mar	Apr	May	Jun	Jul	Aug	Sep
1				1.40								
2												
3				0.55		0.19						
4				0.64		0.48						
5				0.12		0.02		0.12				
6								0.15				
7				0.60	0.08			0.02				
8		0.07	0.37	1.30	0.08							
9		T		5.02								
10				5.10								
11				1.52	0.95							
12					0.77							
13		T			0.95							
14						0.06						
15												
16												T
17												
18	1.10				1.18	0.15						
19	0.37				2.15	0.15	0.04					
20	3.77				2.02					T		0.31
21	0.28	0.85			2.14							
22					1.07							
23					0.85	1.01						
24							0.01					
25					T							
26	0.01			0.15								
27	2.31	0.01		0.04			0.02					
28	0.06	0.51	1.95	0.20		0.02	0.77					
29			2.92	0.01				0.03				
30												
31												
Totals	7.90	1.44	5.24	16.65	12.24	2.08	0.84	0.32	0.00	0.00	0.00	0.31
												Water Year Total: 47.02

NOTE: All Values are in units of inches, unless otherwise specified.

LEGEND: A - Acculated Total

E - Estimated

T - Trace, unmeasurable amount of rain

Data Revised: July 2011

PRECIPITATION

DAILY RAINFALL SUMMARY

1058B Palmdale

Gage Type: Standard 8 inch diameter

Observation Time: 800

Latitude 34-35-17

Longitude: 118-05-31

Elevation: 2595 Feet

Water Year from 10/01/2004 to 09/30/2005

Day	Oct	Nov	Dec	Jan	Feb	Mar	Apr	May	Jun	Jul	Aug	Sep
1				0.01								
2												
3				0.12								
4				0.21		0.04	0.01					
5			0.05			0.13						
6								0.19				
7				0.39								
8		0.12		0.14			0.01					
9				1.05			0.11	0.04				
10				1.15								
11				0.32	1.45							
12				0.05	0.30							
13												
14												
15											0.10	
16								0.02				
17	0.03				0.05							
18	0.01				0.20	0.03						
19					1.64	0.14						
20	1.62				0.03							0.69
21	0.02	0.16			0.70							
22		0.16			0.42	T						
23					0.81	0.58						
24						0.01				0.22		
25												
26				0.04								
27	1.78											0.04
28	0.07	0.02	1.63	0.32			0.81					
29			2.32	0.11			0.02					
30			0.05									
31			0.22									
Totals	3.53	0.46	4.27	3.91	5.60	0.93	0.96	0.25	0.00	0.22	0.10	0.73
										Water Year Total:		20.96

NOTE: All Values are in units of inches, unless otherwise specified.

LEGEND: A - Acculated Total
 E - Estimated
 T - Trace, unmeasurable amount of rain

Data Revised: July 2011

PRECIPITATION

DAILY RAINFALL SUMMARY

1070 Manhattan Beach

Gage Type: Standard 8 inch diameter (DPW)

Observation Time: 800

Latitude 33-53-00

Longitude: 118-23-19

Elevation: 182 Feet

Water Year from 10/01/2004 to 09/30/2005

Day	Oct	Nov	Dec	Jan	Feb	Mar	Apr	May	Jun	Jul	Aug	Sep
1				0.53								
2				0.01								
3				1.31								
4				0.17		0.09						
5			0.25	0.13								
6			0.50					0.20				
7		0.32	0.25									
8				1.00								
9				1.79								
10				0.23				0.05				
11				0.20	1.10							
12					1.06							
13												
14												
15												
16												
17	0.92											
18					0.46							
19					1.56	0.30						
20	1.71				0.24							0.19
21		0.10			1.37							
22					0.45							
23					1.11	0.75	0.09					
24												
25						0.02						
26												
27	1.54		0.03	0.01								
28		0.08	2.65	0.02			0.69					
29			1.97	0.35								
30			0.10									
31			0.09									
Totals	4.17	0.50	5.84	5.75	7.35	1.16	0.78	0.25	0.00	0.00	0.00	0.19
												Water Year Total: 25.99

NOTE: All Values are in units of inches, unless otherwise specified.

LEGEND: A - Acculated Total
 E - Estimated
 T - Trace, unmeasurable amount of rain

Data Revised: July 2011

PRECIPITATION

DAILY RAINFALL SUMMARY

1071B Descanso Gardens

Gage Type: Standard 8 inch diameter (DPW)

Observation Time: 800

Latitude 34-12-07

Longitude: 118-12-46

Elevation: 1325 Feet

Water Year from 10/01/2004 to 09/30/2005

Day	Oct	Nov	Dec	Jan	Feb	Mar	Apr	May	Jun	Jul	Aug	Sep
1												
2				0.24								
3				1.46		0.29						
4				0.41		1.08						
5			0.39			0.04		0.18				
6			0.10		0.05			0.25				
7				0.85								
8			0.05	1.77								
9				6.21				0.01				
10				4.94								
11				1.62	2.05							
12					0.66							
13						0.04						
14												
15											0.07	
16												
17	1.11				0.05							
18	0.19					1.28	0.20					
19	0.37					2.53	0.23					
20	4.81					3.60						0.39
21	0.02	0.30				1.93						0.02
22						1.48	0.09					
23						1.19	1.23					
24												
25												
26				0.10								
27	3.16	0.16		0.12								
28	0.15	0.20	4.35	0.41		0.08	0.94					
29			4.72									
30			0.15									
31			1.24									
Totals	9.81	0.66	11.00	18.13	14.82	3.28	0.94	0.44	0.00	0.00	0.07	0.41
	Water Year Total:											59.56

NOTE: All Values are in units of inches, unless otherwise specified.

LEGEND: A - Acculated Total
 E - Estimated
 T - Trace, unmeasurable amount of rain

Data Revised: July 2011

PRECIPITATION

DAILY RAINFALL SUMMARY

1081B Glendale-Gregg

Gage Type: Standard 8 inch diameter

Observation Time: 800

Latitude 34-11-45

Longitude: 118-14-30

Elevation: 1350 Feet

Water Year from 10/01/2004 to 09/30/2005

Day	Oct	Nov	Dec	Jan	Feb	Mar	Apr	May	Jun	Jul	Aug	Sep
1												
2				0.25		0.03			T			
3				1.24		0.34						
4				0.25		0.61	T					
5			0.49			0.01		0.15				
6			0.02		0.02			0.17				
7		T	T	0.81	T							
8		0.16	0.08	2.33	0.02							
9				6.31			T	0.03				
10				3.89								
11		0.01		1.26	1.99							
12	T				0.43				T			
13		T				0.03						
14												
15											T	
16					T			T				T
17	1.06				0.27			T				
18	0.44				1.09	0.30						
19	0.25				2.12	0.09	T					
20	5.09				1.78					T		0.40
21		0.31			4.36							
22					1.01	0.54	T					
23					1.00	0.91						
24						0.01	T					
25					T							
26	0.07			0.11								T
27	2.68	0.21	0.02	0.10			T					
28	0.15	0.13	4.16	0.43	T	0.04	0.87					
29			4.08					T				
30			0.08									
31			1.04									
Totals	9.74	0.82	9.97	16.98	14.09	2.91	0.87	0.35	0.00	0.00	0.00	0.40
	Water Year Total:											56.13

NOTE: All Values are in units of inches, unless otherwise specified.

LEGEND: A - Acculated Total

E - Estimated

T - Trace, unmeasurable amount of rain

Data Revised: July 2011

PRECIPITATION

DAILY RAINFALL SUMMARY

1087 Green-Verdugo Pumping Plant

Gage Type: Standard 8 inch diameter

Observation Time: 800

Latitude 34-15-25

Longitude: 118-20-11

Elevation: 1340 Feet

Water Year from 10/01/2004 to 09/30/2005

Day	Oct	Nov	Dec	Jan	Feb	Mar	Apr	May	Jun	Jul	Aug	Sep
1				0.44								
2				0.03								
3				1.34		0.19						
4				0.47		0.21						
5			0.15	0.06		0.28						
6				0.01		0.02		0.09				
7			0.16	0.20	0.02							
8		0.03	0.06	1.55	0.01			0.18				
9		0.02	0.01	2.03		0.01						
10				3.17				0.07				
11				1.27	1.17							
12				0.04	1.28							
13		0.01										
14												
15												
16						0.01						
17	0.52											
18	0.07				0.81							
19	0.45				5.62	0.29						
20	3.21				1.72	0.17						0.15
21	0.04	0.27			2.93							0.02
22					0.93							
23					1.38	1.18						
24						0.01	T					
25												
26				0.07	0.02							
27	2.31		0.02	0.06								
28	0.15	0.13	2.83			0.06	0.87					
29			3.73	0.37			0.02	0.01				
30			0.50					0.01				
31			0.41									
Totals	6.75	0.46	7.87	11.11	15.89	2.43	0.89	0.36	0.00	0.00	0.00	0.17
												Water Year Total: 45.93

NOTE: All Values are in units of inches, unless otherwise specified.

LEGEND: A - Acculated Total

E - Estimated

T - Trace, unmeasurable amount of rain

Data Revised: July 2011

PRECIPITATION

DAILY RAINFALL SUMMARY

1088B La Habra Heights-Mutual Water Co.

Gage Type: Standard 8 inch diameter (DPW)

Observation Time: 800

Latitude 33-56-55

Longitude: 117-57-51

Elevation: 445 Feet

Water Year from 10/01/2004 to 09/30/2005

Day	Oct	Nov	Dec	Jan	Feb	Mar	Apr	May	Jun	Jul	Aug	Sep
1				0.80								
2												
3				0.75		0.10						
4				0.20		0.15						
5			0.11	0.14		0.05		0.01				
6			0.46		0.01			0.35				
7			T	0.21								
8		T	0.14	2.20								
9				0.93								
10				1.90								
11				1.39	1.08							
12					1.76							
13					0.02							
14												
15												
16												
17	0.54											
18	0.16											
19	0.43				0.44	0.32	0.03					
20	2.53				2.26	0.14						0.04
21	0.81	0.45			0.98							0.28
22					3.01							
23					0.36	2.00	0.01					
24					1.12	0.02	0.01					
25							0.04					
26				T								
27	2.05			0.11			0.01					
28	0.25	0.26	0.95	0.02			1.07					
29			1.83	0.11				0.02				
30			0.06									
31			0.15									
Totals	6.77	0.71	3.70	8.76	11.04	2.78	1.17	0.38	0.00	0.00	0.00	0.32
												Water Year Total: 35.63

NOTE: All Values are in units of inches, unless otherwise specified.

LEGEND: A - Acculated Total
 E - Estimated
 T - Trace, unmeasurable amount of rain

Data Revised: July 2011

PRECIPITATION

DAILY RAINFALL SUMMARY

1114B Whittier Narrows Dam

Gage Type: Standard 8 inch diameter

Observation Time: 800

Latitude 34-01-29

Longitude: 118-05-02

Elevation: 239 Feet

Water Year from 10/01/2004 to 09/30/2005

Day	Oct	Nov	Dec	Jan	Feb	Mar	Apr	May	Jun	Jul	Aug	Sep
1												
2				0.03								
3				0.93		0.09						
4				0.14		0.53						
5			0.24					0.02				
6			0.05		0.07			0.44				
7				1.24								
8		0.01	0.04	0.98								
9				2.28								
10				1.38								
11				0.24	1.33							
12					0.55							
13												
14												
15												
16												
17	0.84											
18	0.29				0.10	0.05						
19	0.01				0.48	0.05						
20	2.70				2.36	0.01						0.28
21	0.01	0.39			0.76							
22					3.09	0.11						
23					0.65	1.18						
24					0.57	0.03	0.06					
25						0.01						
26				0.12								
27	1.92	0.11		0.02								
28	0.15	0.07	1.86	0.20			0.86					
29			1.67									
30												
31			1.10									
Totals	5.92	0.58	4.96	7.56	9.96	2.06	0.92	0.46	0.00	0.00	0.00	0.28
	Water Year Total:											32.70

NOTE: All Values are in units of inches, unless otherwise specified.

LEGEND: A - Acculated Total
 E - Estimated
 T - Trace, unmeasurable amount of rain

Data Revised: July 2011

PRECIPITATION

DAILY RAINFALL SUMMARY

1115 San Antonio Dam

Gage Type: Standard 8 inch diameter

Observation Time: 800

Latitude 34-09-24

Longitude: 117-40-20

Elevation: 2120 Feet

Water Year from 10/01/2004 to 09/30/2005

Day	Oct	Nov	Dec	Jan	Feb	Mar	Apr	May	Jun	Jul	Aug	Sep
1												
2									0.02			
3				0.48		0.17			0.10			
4				0.06		0.19						
5			0.22					0.05				
6			0.03		0.05			1.38				
7				0.61								
8		0.04	0.06	3.43	0.03							
9		0.01		6.77								
10				4.13								
11				3.23	1.42							
12					0.72							
13						0.03						
14						0.02						
15											0.04	
16												
17	1.23				0.13							
18	0.59				0.72	0.13						
19	0.77				2.10	0.32	0.17					
20	4.65				1.21	0.20						0.11
21	0.18	0.78			2.15							
22					2.14	0.13						
23					0.75	0.89						
24						0.04	0.19					
25					0.04							
26				0.07								
27	2.80	0.17		0.21								
28	0.08	0.12	1.70	0.41			0.82					
29			2.80	0.26								
30			0.36									
31			0.82									
Totals	10.30	1.12	5.99	19.66	11.46	2.12	1.18	1.43	0.12	0.00	0.04	0.11
												Water Year Total: 53.53

NOTE: All Values are in units of inches, unless otherwise specified.

LEGEND: A - Acculated Total

E - Estimated

T - Trace, unmeasurable amount of rain

Data Revised: July 2011

PRECIPITATION

DAILY RAINFALL SUMMARY

1126A Los Angeles-East Valley

Gage Type: Standard 8 inch diameter

Observation Time: 800

Latitude 34-12-30

Longitude: 118-24-35

Elevation: 780 Feet

Water Year from 10/01/2004 to 09/30/2005

Day	Oct	Nov	Dec	Jan	Feb	Mar	Apr	May	Jun	Jul	Aug	Sep
1												
2				0.47								
3				1.42		0.07						
4				0.03		0.12						
5			0.28			0.87						
6								0.23				
7			0.02	1.72								
8		0.08	0.02	1.32								
9				2.98								
10				1.99	0.01			0.07				
11				0.17								
12												
13		0.01										
14												
15												
16	0.07											
17	0.59				0.11							
18	0.25				0.66							
19	0.95				3.79	0.15						
20	1.44	0.08			3.04	0.02						0.05
21	0.01				0.73							0.12
22					0.58							
23					0.60	1.37						
24												
25					0.01							
26	1.68											
27	0.78	0.09	0.74									
28			3.03				0.72					
29			1.38			0.04						
30			0.01									
31			0.82									
Totals	5.77	0.26	6.30	10.10	9.53	2.64	0.72	0.30	0.00	0.00	0.00	0.17
												Water Year Total: 35.79

NOTE: All Values are in units of inches, unless otherwise specified.

LEGEND: A - Acculated Total
 E - Estimated
 T - Trace, unmeasurable amount of rain

Data Revised: July 2011

PRECIPITATION

DAILY RAINFALL SUMMARY

1158 **Torrance Municipal Airport**

Gage Type: Standard 8 inch diameter

Observation Time: 800

Latitude 33-47-59

Longitude: 118-20-08

Elevation: 102 Feet

Water Year from 10/01/2004 to 09/30/2005

Day	Oct	Nov	Dec	Jan	Feb	Mar	Apr	May	Jun	Jul	Aug	Sep
1												
2				T		T						
3				0.99		0.07						
4				0.10		0.06						
5			0.56			T		0.03				
6			0.09	T				0.06				
7		0.01		1.61								
8		0.10	0.23	0.62								
9			T	1.65				0.02				
10				1.26								
11				0.28	1.67							
12					1.10							
13		0.01										
14												
15												
16												0.01
17	0.57				0.09							0.59
18	0.04				0.68	0.03						0.38
19	T				3.23	0.16						
20	1.58				0.13	0.01						
21	0.04	0.22			1.37							
22					0.55	0.11						
23					1.11	0.75						
24						T	0.10					
25												
26				T								
27	1.24		T									
28	0.18	0.09	3.61	0.45		0.04	0.98					
29			1.45									
30												
31			0.68									
Totals	3.65	0.43	6.62	6.96	9.93	1.23	1.08	0.11	0.00	0.00	0.00	0.98
												Water Year Total: 30.99

NOTE: All Values are in units of inches, unless otherwise specified.

LEGEND: A - Acculated Total

 E - Estimated

 T - Trace, unmeasurable amount of rain

Data Revised: July 2011

PRECIPITATION

DAILY RAINFALL SUMMARY

1166B Mile High Ranch

Gage Type: Standard 8 inch diameter (DPW)

Observation Time: 800

Latitude 34-24-40

Longitude: 117-46-15

Elevation: 5280 Feet

Water Year from 10/01/2004 to 09/30/2005

Day	Oct	Nov	Dec	Jan	Feb	Mar	Apr	May	Jun	Jul	Aug	Sep
1												
2												
3						0.95						
4				0.63								
5												
6			0.17									
7				1.04								
8				0.63								
9				0.77								
10				1.24								
11				0.83	2.17							
12				0.85	0.23							
13				0.68								
14												
15										0.17		
16												
17	0.18											
18	A				1.22							
19	3.51A				2.36							
20	0.83				1.86	0.12						
21		1.05			3.13							
22		0.75			1.28							
23					0.26	0.74						
24												
25												
26	A											
27	2.54A											
28			4.05	0.36			0.68					
29			0.87									
30			2.12									
31			0.58									
Totals	7.06	1.80	7.79	7.03	12.51	1.81	0.68	0.00	0.00	0.00	0.17	0.00
	Water Year Total: 38.85											

NOTE: All Values are in units of inches, unless otherwise specified.

LEGEND: A - Acculated Total
 E - Estimated
 T - Trace, unmeasurable amount of rain

Data Revised: July 2011

PRECIPITATION

DAILY RAINFALL SUMMARY

1191 Bear Divide

Gage Type: Standard 8 inch diameter (DPW)

Observation Time: 800

Latitude 34-21-35

Longitude: 118-23-37

Elevation: 2700 Feet

Water Year from 10/01/2004 to 09/30/2005

Day	Oct	Nov	Dec	Jan	Feb	Mar	Apr	May	Jun	Jul	Aug	Sep
1												
2												
3				2.20		0.24						
4		0.02		0.56		0.40						
5												
6			0.47									
7				0.26	0.12	0.32						
8			0.14	1.18E								
9				3.47E								
10				5.97E								
11				4.69E	1.12							
12				1.82E	1.42E							
13						A						
14						0.14A						
15												
16					0.01							
17	1.10											
18	0.40				0.84							
19	1.00				1.50E							
20	4.87				2.19E							1.10
21	0.85				2.25E	0.73						0.10
22		0.03			1.49E							
23					1.10E	1.82						
24					0.14E							
25												
26				0.02	0.11E							
27	2.15			0.55								
28	0.55		2.10	0.05		0.10						
29			2.35	0.43								
30												
31												
Totals	10.92	0.05	5.06	21.20	12.29	3.75	0.00	0.00	0.00	0.00	0.00	1.20
	Water Year Total:											54.47

NOTE: All Values are in units of inches, unless otherwise specified.

LEGEND: A - Acculated Total
 E - Estimated
 T - Trace, unmeasurable amount of rain

Data Revised: July 2011

PRECIPITATION

DAILY RAINFALL SUMMARY

1194 Santa Ynez Reservoir

Gage Type: Standard 8 inch diameter

Observation Time: 800

Latitude 34-04-23

Longitude: 118-33-59

Elevation: 735 Feet

Water Year from 10/01/2004 to 09/30/2005

Day	Oct	Nov	Dec	Jan	Feb	Mar	Apr	May	Jun	Jul	Aug	Sep
1												
2				0.61		0.15						
3				1.46		0.03						
4				0.10		0.30						
5			0.64					0.39				
6			0.03		0.01							
7			0.13	2.08								
8			0.13	2.32								
9				5.39				0.16				
10				3.54								
11				0.49	1.85							
12					0.21							
13												
14												
15												
16	0.10											
17	0.45				0.40							
18	0.53				1.35	0.09						
19	0.18				2.58	0.11						
20	1.25	0.01			1.75							0.04
21	1.77				1.27							
22					1.66	2.61						
23					0.01							
24												
25												
26	0.40											
27	1.63	0.25	0.46									
28	0.01		3.24	0.43			0.90					
29			1.14									
30			0.01									
31			2.24									
Totals	6.32	0.26	8.02	16.42	11.09	3.29	0.90	0.55	0.00	0.00	0.00	0.04
	Water Year Total:											46.89

NOTE: All Values are in units of inches, unless otherwise specified.

LEGEND: A - Acculated Total

E - Estimated

T - Trace, unmeasurable amount of rain

Data Revised: July 2011

PRECIPITATION

DAILY RAINFALL SUMMARY

1212 Lancaster FSS/FAA

Gage Type: Standard 8 inch diameter

Observation Time: 800

Latitude 34-44-00

Longitude: 118-13-00

Elevation: 2340 Feet

Water Year from 10/01/2004 to 09/30/2005

Day	Oct	Nov	Dec	Jan	Feb	Mar	Apr	May	Jun	Jul	Aug	Sep
1												
2				0.04		T						
3		T		0.58		T						
4						0.14	0.07					
5			0.02			0.05		0.49				
6								T				
7		T	0.01	1.07	T		T					
8		0.01		0.36			0.02					
9				1.07				0.01				
10				1.56	0.01							
11				0.13	1.32							
12												
13		0.01										
14											T	
15											0.01	
16	T				T							
17	0.05				0.23							
18	0.01				0.26	0.21						
19	0.72				1.35	T						
20	0.23	0.02			0.44							0.71E
21		0.04			0.41							
22		0.07			0.26	0.19	T					
23					0.43	0.13				T		
24							T					
25												
26	0.78			0.03								
27	0.14	T	0.07									0.06E
28			2.46	0.41		T	0.48					
29			0.95									
30												
31			0.14	0.01								
Totals	1.93	0.15	3.65	5.26	4.71	0.72	0.57	0.50	0.00	0.00	0.01	0.77
											Water Year Total:	18.27

NOTE: All Values are in units of inches, unless otherwise specified.

LEGEND: A - Acculated Total

E - Estimated

T - Trace, unmeasurable amount of rain

Data Revised: July 2011

PRECIPITATION

DAILY RAINFALL SUMMARY

1216 **Rancho Palos Verdes**

Gage Type: Standard 8 inch diameter (DPW)

Observation Time: 800

Latitude 33-45-10

Longitude: 118-23-32

Elevation: 780 Feet

Water Year from 10/01/2004 to 09/30/2005

Day	Oct	Nov	Dec	Jan	Feb	Mar	Apr	May	Jun	Jul	Aug	Sep
1												
2				0.37		0.05						
3				0.49		0.04						
4			0.07	0.07								
5			0.64									
6		0.01		0.13								
7		0.64	0.10	0.76				0.07				
8		0.07		1.43								
9				1.67		0.01		0.02				
10				0.39	0.78							
11				0.01	0.77							
12												
13		0.26										
14												
15												
16	0.31											
17					0.42							
18	0.05				2.11	0.10						
19	1.37				0.05							0.21
20		0.01			0.56							0.11
21					0.01							
22					0.80	1.02	0.01					
23							0.08					
24												
25												
26				0.07			0.48					
27		0.01	0.94	0.01		0.05						
28			0.81	0.11								
29	1.02		0.01									
30									0.01			
31			0.46									
Totals	2.75	1.00	3.03	5.51	5.50	1.27	0.57	0.09	0.01	0.00	0.00	0.32
												Water Year Total: 20.05

NOTE: All Values are in units of inches, unless otherwise specified.

LEGEND: A - Acculated Total

 E - Estimated

 T - Trace, unmeasurable amount of rain

Data Revised: July 2011

PRECIPITATION

DAILY RAINFALL SUMMARY

1217 Los Angeles Country Club

Gage Type: Standard 8 inch diameter (DPW)

Observation Time: 800

Latitude 34-04-10

Longitude: 118-25-17

Elevation: 380 Feet

Water Year from 10/01/2004 to 09/30/2005

Day	Oct	Nov	Dec	Jan	Feb	Mar	Apr	May	Jun	Jul	Aug	Sep
1				1.45								
2						0.10						
3				1.45		0.10						
4						0.17	T					
5			0.31	0.48				0.06				
6			0.41	0.05	0.39							
7				0.15								
8			0.15	2.64								
9				2.94				0.25				
10				2.90	1.04							
11				1.90	1.10							
12					0.02							
13												
14		0.04										
15												
16												
17	0.60				0.77							
18	0.11				1.55							
19	0.16				2.03	0.12						
20	2.25				2.56	0.07						0.20
21	0.29	0.01			1.27							
22					0.93	1.73						
23					0.03							
24												
25					0.02							
26				0.01								0.01
27	1.77	0.20	0.10	0.02			1.48					
28	0.05		1.94	0.53								
29			2.54									
30			0.92									
31			0.10									
Totals	5.23	0.25	6.47	14.52	11.71	2.29	1.48	0.31	0.00	0.00	0.00	0.21
	Water Year Total:											42.47

NOTE: All Values are in units of inches, unless otherwise specified.

LEGEND: A - Acculated Total

E - Estimated

T - Trace, unmeasurable amount of rain

Data Revised: July 2011

PRECIPITATION

DAILY RAINFALL SUMMARY

1222 Northridge-Garland

Gage Type: Standard 8 inch diameter (DPW)

Observation Time: 800

Latitude 34-14-17

Longitude: 118-30-59

Elevation: 911 Feet

Water Year from 10/01/2004 to 09/30/2005

Day	Oct	Nov	Dec	Jan	Feb	Mar	Apr	May	Jun	Jul	Aug	Sep
1						0.15						
2				0.19								
3				1.90								
4				0.17		0.65						
5			0.50					0.08				
6												
7		0.03	0.07	1.95	0.07							
8		0.03	0.16	0.38								
9				2.57				0.16				
10				1.57								
11				0.46	2.32							
12					0.21							
13		0.02				0.02						
14												
15												
16												
17	0.94				0.50							
18	0.33					1.37	0.12					
19	0.05					1.78	0.26					
20	1.90					0.90						0.07
21		0.22				2.56						
22						0.51	0.45					
23						0.51	0.64					
24												
25						0.48						
26				0.05								
27	2.12	0.10	0.10									
28		0.08	3.26	0.49		0.07	0.57					
29			1.52									
30												
31			0.89									
Totals	5.34	0.48	6.50	9.73	11.21	2.36	0.57	0.24	0.00	0.00	0.00	0.07
												Water Year Total: 36.50

NOTE: All Values are in units of inches, unless otherwise specified.

LEGEND: A - Acculated Total
 E - Estimated
 T - Trace, unmeasurable amount of rain

Data Revised: July 2011

PRECIPITATION

DAILY RAINFALL SUMMARY

1223 Woodland Hills-Sherman

Gage Type: Standard 8 inch diameter (DPW)

Observation Time: 800

Latitude 34-10-06

Longitude: 118-38-57

Elevation: 1035 Feet

Water Year from 10/01/2004 to 09/30/2005

Day	Oct	Nov	Dec	Jan	Feb	Mar	Apr	May	Jun	Jul	Aug	Sep
1				0.01								
2				0.16		0.01						
3				2.65		0.03						
4				0.07		0.14	0.01					
5			0.57			0.03		0.12				
6			0.02		T			0.04				
7		0.02	0.08	1.50								
8			0.23	1.29								
9			0.01	3.43				0.12				
10				1.60								
11		T		0.57	A							
12	0.06				A							
13		0.02			2.90A	0.01						
14						T						
15												
16												
17	0.53				0.34							
18	0.19				2.03	0.15						
19	0.18				1.58	0.23						
20	1.78				1.13	0.03						0.08
21		0.13			4.01							
22					1.29	0.67						
23					0.35	0.24						
24												
25	0.02				T							
26	0.18			0.07								0.01
27	1.83	0.08	0.55	0.01								
28			5.50	0.59	0.03	0.06	0.78					
29			A	0.01				T				
30			A									
31			2.68A									
Totals	4.77	0.25	9.64	11.96	13.66	1.60	0.79	0.28	0.00	0.00	0.00	0.09
												Water Year Total: 43.04

NOTE: All Values are in units of inches, unless otherwise specified.

LEGEND: A - Acculated Total

E - Estimated

T - Trace, unmeasurable amount of rain

Data Revised: July 2011

PRECIPITATION

DAILY RAINFALL SUMMARY

1240 Pearblossom-Calif.D.W.R. Booster Sta.

Gage Type: Standard 8 inch diameter

Observation Time: 800

Latitude 34-30-32

Longitude: 117-55-15

Elevation: 3050 Feet

Water Year from 10/01/2004 to 09/30/2005

Day	Oct	Nov	Dec	Jan	Feb	Mar	Apr	May	Jun	Jul	Aug	Sep
1				0.06								
2												
3				0.05								
4				0.30		0.03						
5			T	T		0.33					0.02	
6			0.02					0.03			0.19	
7		T	T	0.35								
8		0.51		0.10								
9		T		0.42								
10				0.55								
11				0.10	0.86							
12					1.06							
13					0.01							
14					T							
15											0.09	
16												
17	T				0.01							
18	T				0.09							
19					1.24	0.35						
20	1.42				0.35							
21	0.03	0.06			1.03							0.64
22		0.49										
23					1.04	0.22						
24					0.03	0.03						
25					T							
26				0.05						0.35		
27	1.86			T						0.02		
28	0.05		1.42	T			0.26					
29			3.30	0.38								
30			0.22									
31			0.03									
Totals	3.36	1.06	4.99	2.36	5.72	0.96	0.26	0.03	0.00	0.37	0.30	0.64
											Water Year Total:	20.05

NOTE: All Values are in units of inches, unless otherwise specified.

LEGEND: A - Acculated Total

E - Estimated

T - Trace, unmeasurable amount of rain

Data Revised: July 2011

PRECIPITATION

DAILY RAINFALL SUMMARY

1251 Palos Verdes-Whites Point

Gage Type: Standard 8 inch diameter

Observation Time: 800

Latitude 33-42-50

Longitude: 118-19-02

Elevation: 100 Feet

Water Year from 10/01/2004 to 09/30/2005

Day	Oct	Nov	Dec	Jan	Feb	Mar	Apr	May	Jun	Jul	Aug	Sep
1				0.47								
2												
3				0.70		0.05						
4				0.15		0.08						
5			0.52	0.02				0.01				
6			0.53					0.01				
7		0.01		0.40								
8			0.30	0.94								
9				0.69								
10				0.20								
11				0.29	1.25							
12				0.07	0.84							
13		0.02										
14												
15												
16												
17	0.52											
18	0.02				0.60							
19	0.08				0.74	0.11						
20	1.55				0.02	0.03						0.27
21	0.06	0.26			0.99							0.10
22					0.53							
23					0.85	0.57						
24												
25												
26												
27	1.38			0.04								
28	0.03	0.05	2.07	0.05		0.03	1.28					
29			1.79	0.40								
30			0.01									
31			0.08									
Totals	3.64	0.34	5.30	4.42	5.82	0.87	1.28	0.02	0.00	0.00	0.00	0.37
												Water Year Total: 22.06

NOTE: All Values are in units of inches, unless otherwise specified.

LEGEND: A - Acculated Total
 E - Estimated
 T - Trace, unmeasurable amount of rain

Data Revised: July 2011

PRECIPITATION

DAILY RAINFALL SUMMARY

1252 Palos Verdes Landfill

Gage Type: Standard 8 inch diameter

Observation Time: 800

Latitude 33-45-40

Longitude: 118-20-03

Elevation: 400 Feet

Water Year from 10/01/2004 to 09/30/2005

Day	Oct	Nov	Dec	Jan	Feb	Mar	Apr	May	Jun	Jul	Aug	Sep
1												
2												
3				1.35		0.06						
4				0.52		0.07						
5				0.09								
6			0.77					0.02				
7				0.36								
8		0.06	0.34									
9		0.10	0.04					0.03				
10				3.98				0.02				
11				0.71	1.14							
12				0.05	1.96							
13												
14												
15		0.02										
16												
17												
18	0.60				0.49							
19	0.10				3.20							
20	1.33											0.19
21	0.40					0.30						0.24
22		0.32			1.83							
23					1.55	0.88						
24												
25	0.01					0.05	0.19					
26				0.01								
27	1.29		0.02	0.11								
28	0.28		1.53			0.04	0.80					
29		0.17	2.45	0.57		0.07						
30			0.12									
31												
Totals	4.01	0.67	5.27	7.75	10.17	1.47	0.99	0.07	0.00	0.00	0.00	0.43
												Water Year Total: 30.83

NOTE: All Values are in units of inches, unless otherwise specified.

LEGEND: A - Acculated Total
 E - Estimated
 T - Trace, unmeasurable amount of rain

Data Revised: July 2011

PRECIPITATION

DAILY RAINFALL SUMMARY

1253 Carson-County Sanitation

Gage Type: Standard 8 inch diameter

Observation Time: 800

Latitude 33-48-07

Longitude: 118-16-58

Elevation: 40 Feet

Water Year from 10/01/2004 to 09/30/2005

Day	Oct	Nov	Dec	Jan	Feb	Mar	Apr	May	Jun	Jul	Aug	Sep
1												
2				1.10		0.30						
3				0.14		0.30						
4			0.60	0.20		T						
5			0.41					0.20				
6				0.18	0.10			0.13				
7		0.30	0.11	1.70								
8				0.70								
9				2.17				0.10				
10												
11				0.50	1.75							
12												
13												
14												
15												
16	1.10											
17	0.50				0.28							
18	0.20					0.12						
19	1.89					0.20						0.60
20		0.70										0.21
21												
22						0.81						
23								0.90				
24								0.18				
25				0.20								
26	1.96			0.40								
27	0.60	0.11	0.64			0.20	0.81					
28			1.75	0.34			T					
29			0.50									
30			0.30									
31			0.86									
Totals	6.25	1.11	5.17	7.63	2.13	1.93	1.89	0.43	0.00	0.00	0.00	0.81
												Water Year Total: 27.35

NOTE: All Values are in units of inches, unless otherwise specified.

LEGEND: A - Acculated Total
 E - Estimated
 T - Trace, unmeasurable amount of rain

Data Revised: July 2011

PRECIPITATION

DAILY RAINFALL SUMMARY

1254 Long Beach Reclamation Plant

Gage Type: Standard 8 inch diameter

Observation Time: 800

Latitude 33-48-11

Longitude: 118-05-20

Elevation: 20 Feet

Water Year from 10/01/2004 to 09/30/2005

Day	Oct	Nov	Dec	Jan	Feb	Mar	Apr	May	Jun	Jul	Aug	Sep
1												
2				1.10		0.03						
3				0.14		0.03						
4			0.06	0.02		T						
5			0.41					0.02				
6				0.18	0.01			0.13				
7		0.03	0.11	1.07								
8				0.70								
9				2.17				0.02				
10				1.24								
11				0.05	1.75							
12												
13												
14												
15												
16	1.10											
17	0.05				0.28							
18	0.02				0.69E	0.12						
19	1.89				1.36E	0.02						0.06
20		0.70			1.15E							0.21
21					1.30E							
22					1.35E	0.81						
23					0.21E		0.09					
24							0.18					
25				0.02								
26	1.96			0.04								
27	0.06	0.11	0.64			0.02	0.81					
28			1.75	0.34			T					
29			0.50									
30			0.03									
31			0.86									
Totals	5.08	0.84	4.36	7.07	8.10	1.03	1.08	0.17	0.00	0.00	0.00	0.27
	Water Year Total:											28.00

NOTE: All Values are in units of inches, unless otherwise specified.

LEGEND: A - Acculated Total

E - Estimated

T - Trace, unmeasurable amount of rain

Data Revised: July 2011

PRECIPITATION

DAILY RAINFALL SUMMARY

1255 Los Coyotes Reclamation Plant

Gage Type: Standard 8 inch diameter

Observation Time: 800

Latitude 33-53-05

Longitude: 118-06-24

Elevation: 70 Feet

Water Year from 10/01/2004 to 09/30/2005

Day	Oct	Nov	Dec	Jan	Feb	Mar	Apr	May	Jun	Jul	Aug	Sep
1												
2				0.95		0.07						
3				0.13		0.10						
4			0.01	0.25		0.03		T				
5			0.45		0.01			0.16				
6			0.01	0.18	0.01			T				
7		0.03	0.13	1.95								
8				0.62								
9				2.02				0.01				
10				0.72								
11				0.03	1.42							
12												
13												
14												
15												
16	0.57											
17	0.03				0.30							
18	0.16				0.76E	0.09						
19	2.20				1.81E	0.19						0.10
20		0.32			1.34E							0.22
21					1.42E							
22					1.04E	1.19						
23					0.51E		0.09					
24						0.04	0.12					
25				0.06								
26	2.20			0.03								
27	0.25	0.13	1.19			0.02	0.98					
28			1.28	0.25								
29			0.25									
30			0.04									
31			0.69									
Totals	5.41	0.48	4.05	7.19	8.62	1.73	1.19	0.17	0.00	0.00	0.00	0.32
	Water Year Total:											29.16

NOTE: All Values are in units of inches, unless otherwise specified.

LEGEND: A - Acculated Total
 E - Estimated
 T - Trace, unmeasurable amount of rain

Data Revised: July 2011

PRECIPITATION

DAILY RAINFALL SUMMARY

1256 South Gate Transfer Station

Gage Type: Standard 8 inch diameter

Observation Time: 800

Latitude 33-56-40

Longitude: 118-09-56

Elevation: 100 Feet

Water Year from 10/01/2004 to 09/30/2005

Day	Oct	Nov	Dec	Jan	Feb	Mar	Apr	May	Jun	Jul	Aug	Sep
1												
2												
3				1.96		0.05						
4				0.70		0.13						
5				0.29		0.03						
6			0.48					0.03				
7				0.10								
8			0.13	1.85								
9												
10				2.54				0.03				
11				1.00	0.89							
12					1.25							
13												
14												
15												
16												
17												
18	0.68				0.38							
19	0.30				2.50	0.10						
20	1.50											0.05
21	0.95				1.98	0.05						0.20
22		0.35			1.22							
23					0.98	1.00						
24					0.94							
25						0.02	0.09					
26												
27	1.46			0.13								
28	0.36		1.05				1.23					
29		0.13	2.50	0.30			0.04					
30			0.48									
31			0.06									
Totals	5.25	0.48	4.70	8.87	10.14	1.38	1.36	0.06	0.00	0.00	0.00	0.25
	Water Year Total:											32.49

NOTE: All Values are in units of inches, unless otherwise specified.

LEGEND: A - Acculated Total
 E - Estimated
 T - Trace, unmeasurable amount of rain

Data Revised: July 2011

PRECIPITATION

DAILY RAINFALL SUMMARY

1257 San Jose Creek Reclamation Plant

Gage Type: Standard 8 inch diameter

Observation Time: 800

Latitude 34-01-55

Longitude: 118-01-16

Elevation: 275 Feet

Water Year from 10/01/2004 to 09/30/2005

Day	Oct	Nov	Dec	Jan	Feb	Mar	Apr	May	Jun	Jul	Aug	Sep
1												
2				0.91		0.10						
3				0.07		0.06						
4			0.07	0.06		0.26		T				
5			0.39					0.30				
6				0.13	0.08							
7		0.01	0.08	2.00								
8		T		2.00								
9				1.84								
10				1.18								
11					1.83							
12					0.02							
13												
14												
15												
16	0.44											
17	0.25				0.41							
18	0.29					0.14						
19	2.57				3.17E	0.07						0.10
20		0.30			0.83E							0.27
21					3.05E							
22					1.95E	1.30						
23					1.26E		0.01					
24					0.01E	0.05	T					
25				0.03								
26	1.84			0.38								
27	0.21	0.30	1.35				0.90					
28			1.68	0.27			0.02					
29			0.64									
30			0.15									
31			0.95									
Totals	5.60	0.61	5.31	8.87	12.61	1.98	0.93	0.30	0.00	0.00	0.00	0.37
	Water Year Total:											36.58

NOTE: All Values are in units of inches, unless otherwise specified.

LEGEND: A - Acculated Total

E - Estimated

T - Trace, unmeasurable amount of rain

Data Revised: July 2011

PRECIPITATION

DAILY RAINFALL SUMMARY

1258 Puente Hills Landfill

Gage Type: Standard 8 inch diameter

Observation Time: 800

Latitude 34-01-35

Longitude: 118-01-49

Elevation: 300 Feet

Water Year from 10/01/2004 to 09/30/2005

Day	Oct	Nov	Dec	Jan	Feb	Mar	Apr	May	Jun	Jul	Aug	Sep
1												
2												
3				2.12		0.09						
4				0.18		0.08						
5				0.06		0.24						
6			0.48					0.22				
7			0.01	0.13	0.05							
8		0.01	0.08	2.42								
9												
10				4.53								
11				1.32	1.11							
12					2.05							
13												
14												
15												
16												
17												
18	0.57				0.45							
19	0.24				3.18	0.16						
20	2.47											0.09
21	0.49				3.87	0.05						0.32
22		0.36			2.02							
23					1.31	1.43						
24					0.01							
25						0.08	0.07					
26				0.04								
27	2.07			0.33								
28	0.21		1.16			0.01	0.87					
29		0.22	1.77	0.27		0.01	0.04					
30			0.73									
31			0.03									
Totals	6.05	0.59	4.26	11.40	14.05	2.15	0.98	0.22	0.00	0.00	0.00	0.41
	Water Year Total:											40.11

NOTE: All Values are in units of inches, unless otherwise specified.

LEGEND: A - Acculated Total
 E - Estimated
 T - Trace, unmeasurable amount of rain

Data Revised: July 2011

PRECIPITATION

DAILY RAINFALL SUMMARY

1259 Whittier Narrows Reclamation Plant

Gage Type: Standard 8 inch diameter

Observation Time: 800

Latitude 34-03-59

Longitude: 118-03-54

Elevation: 225 Feet

Water Year from 10/01/2004 to 09/30/2005

Day	Oct	Nov	Dec	Jan	Feb	Mar	Apr	May	Jun	Jul	Aug	Sep
1												
2				0.88		0.12						
3				0.11		0.06	T					
4			0.02	0.08		0.48						
5			0.39		0.01			0.59				
6			0.01	0.12	0.07							
7		0.02	0.05	1.77	0.01							
8		0.01		2.00								
9				1.59								
10				0.85								
11				0.01	1.19							
12					0.01							
13												
14												
15												
16	0.65											
17	0.17				0.20E							
18	0.25				0.56E	0.12						
19	1.50				2.85E	0.07						0.10
20		0.33			0.90E							0.17
21					2.78E							
22					1.12E	1.33						
23					0.79E		0.03					
24						0.07						
25				0.05								
26	1.67			0.25								
27	0.34	0.28	1.34			T	0.81					
28			1.75	0.27			0.04					
29			0.24									
30			0.11									
31			1.03									
Totals	4.58	0.64	4.94	7.98	10.49	2.25	0.88	0.59	0.00	0.00	0.00	0.27
Water Year Total:												32.62

NOTE: All Values are in units of inches, unless otherwise specified.

LEGEND: A - Acculated Total

E - Estimated

T - Trace, unmeasurable amount of rain

Data Revised: July 2011

PRECIPITATION

DAILY RAINFALL SUMMARY

1260 Spadra Landfill

Gage Type: Standard 8 inch diameter

Observation Time: 800

Latitude 34-02-36

Longitude: 117-49-50

Elevation: 700 Feet

Water Year from 10/01/2004 to 09/30/2005

Day	Oct	Nov	Dec	Jan	Feb	Mar	Apr	May	Jun	Jul	Aug	Sep
1												
2												
3				1.68		0.10						
4				0.30		0.07	0.10					
5			0.34	0.03		1.20		0.07				
6								0.14				
7				0.17	0.08							
8			0.09									
9												
10		0.26		5.41								
11				1.44	0.89							
12					1.18							
13												
14												
15												
16												
17												
18	0.95				0.31							
19	0.55				3.41							
20	2.80											0.10
21	1.04					0.31						0.22
22		1.01			4.00							
23					1.05	1.45						
24												
25						0.01	0.01					
26				0.01								
27	1.88			0.52								
28	0.23		0.72			0.05	0.91					
29		0.37	2.10	0.18			0.05					
30			0.14									
31												
Totals	7.45	1.64	3.39	9.74	10.92	3.19	1.07	0.21	0.00	0.00	0.00	0.32
												Water Year Total: 37.93

NOTE: All Values are in units of inches, unless otherwise specified.

LEGEND: A - Acculated Total
 E - Estimated
 T - Trace, unmeasurable amount of rain

Data Revised: July 2011

PRECIPITATION

DAILY RAINFALL SUMMARY

1261 La Canada Reclamation Plant

Gage Type: Standard 8 inch diameter

Observation Time: 800

Latitude 34-13-00

Longitude: 118-11-14

Elevation: 1800 Feet

Water Year from 10/01/2004 to 09/30/2005

Day	Oct	Nov	Dec	Jan	Feb	Mar	Apr	May	Jun	Jul	Aug	Sep
1												
2				0.50		0.52						
3				0.30		0.45						
4			0.16	0.12		0.55						
5			0.23		0.04			0.53				
6			0.02	0.10	0.09							
7		0.03	0.08	3.75	0.02							
8		0.03		3.75								
9				5.05				0.01				
10				3.53								
11				0.01	0.85							
12					0.85							
13						0.09						
14												
15												
16	0.65											
17	0.52				0.01E							
18	0.63				0.75E	0.24				0.02		
19	4.91				2.71E	0.24						0.04
20		0.35			2.75E							0.29
21					2.79E							
22					1.35E	1.26						
23					1.21E							
24						0.05						
25				0.02								
26	2.97			0.18								
27	0.42	0.37	2.60				0.83					
28			5.31	0.42			0.03					
29			1.81									
30			0.22									
31			0.85									
Totals	10.10	0.78	11.28	17.73	13.42	3.40	0.86	0.54	0.00	0.00	0.02	0.33
												Water Year Total: 58.46

NOTE: All Values are in units of inches, unless otherwise specified.

LEGEND: A - Acculated Total

E - Estimated

T - Trace, unmeasurable amount of rain

Data Revised: July 2011

PRECIPITATION

DAILY RAINFALL SUMMARY

1262 Saugus Reclamation Plant

Gage Type: Standard 8 inch diameter

Observation Time: 800

Latitude 34-24-48

Longitude: 118-32-23

Elevation: 1150 Feet

Water Year from 10/01/2004 to 09/30/2005

Day	Oct	Nov	Dec	Jan	Feb	Mar	Apr	May	Jun	Jul	Aug	Sep
1												
2				1.49		0.15						
3				0.67		0.11						
4			0.08			0.10						
5			0.04					0.24				
6				0.17	T							
7		0.01	0.12	1.42								
8				1.40								
9				3.10				0.05				
10				1.30								
11					1.98							
12												
13						T						
14												
15												
16	0.34											
17	0.09				0.71							
18	0.09				1.71E	0.21					0.03	
19	2.43				1.51E	0.13						0.02
20		0.03			1.55E							0.07
21					1.98E							
22					0.84E	1.18						
23					0.36E							
24												
25				0.05	0.31E							
26	1.52		0.11	0.04	0.01E							
27	0.19	0.09	3.15			0.09	0.58					
28			2.78	0.32								
29			0.22									
30			0.30									
31			0.56									
Totals	4.66	0.13	7.36	9.96	10.96	1.97	0.58	0.29	0.00	0.00	0.03	0.09
	Water Year Total:											36.03

NOTE: All Values are in units of inches, unless otherwise specified.

LEGEND: A - Acculated Total

E - Estimated

T - Trace, unmeasurable amount of rain

Data Revised: July 2011

PRECIPITATION

DAILY RAINFALL SUMMARY

1263 **Valencia Reclamation Plant**

Gage Type: Standard 8 inch diameter

Observation Time: 800

Latitude 34-25-55

Longitude: 118-37-13

Elevation: 1000 Feet

Water Year from 10/01/2004 to 09/30/2005

Day	Oct	Nov	Dec	Jan	Feb	Mar	Apr	May	Jun	Jul	Aug	Sep
1												
2				1.78		0.13						
3				0.64		0.08						
4			0.14	T		0.07		T				
5			0.04		0.01			0.15				
6			T	0.14	T							
7		0.02	0.19	0.98								
8				0.93								
9				4.00								
10				1.85								
11					2.20							
12												
13						T						
14												
15												
16	0.42											
17	0.05				0.55							
18	0.13				2.09E	0.20					T	
19	2.20				1.28E	0.04						0.05
20		0.06			1.85E							0.06
21					1.73E							
22					0.87E	1.02						
23					0.37E	0.05						
24						T						
25				0.03	0.39E							
26	1.16		0.13	0.03	0.02E							0.02
27	0.08	0.04	3.45			0.07	0.54					
28			1.90	0.34			T					
29			0.23									
30			0.39									
31			0.46									
Totals	4.04	0.12	6.93	10.72	11.36	1.66	0.54	0.15	0.00	0.00	0.00	0.13
												Water Year Total: 35.65

NOTE: All Values are in units of inches, unless otherwise specified.

LEGEND: A - Acculated Total

 E - Estimated

 T - Trace, unmeasurable amount of rain

Data Revised: July 2011

PRECIPITATION

DAILY RAINFALL SUMMARY

1264 Calabasas Landfill

Gage Type: Standard 8 inch diameter

Observation Time: 800

Latitude 34-08-25

Longitude: 118-42-35

Elevation: 800 Feet

Water Year from 10/01/2004 to 09/30/2005

Day	Oct	Nov	Dec	Jan	Feb	Mar	Apr	May	Jun	Jul	Aug	Sep
1						0.07						
2												
3				2.99		0.08						
4				0.33		0.12	0.01					
5				0.06								
6			0.70					0.25				
7				0.34								
8			0.26	2.00								
9												
10				6.15				0.08				
11				2.04	1.50							
12					1.20							
13	0.04											
14												
15												
16												
17												
18	1.06				0.62							
19	0.18				2.10	0.20						
20	2.75											0.02
21	0.05				4.17	0.10						0.01
22		0.10			0.92							
23					0.55	1.04						
24												
25												
26				0.02								
27	2.01		0.21	0.14								0.03
28	0.11		3.91			0.05	1.00					
29		0.06	1.77	0.52								
30			0.22									
31			0.55									
Totals	6.20	0.16	7.62	14.59	11.06	1.66	1.01	0.33	0.00	0.00	0.00	0.06
											Water Year Total:	42.69

NOTE: All Values are in units of inches, unless otherwise specified.

LEGEND: A - Acculated Total

E - Estimated

T - Trace, unmeasurable amount of rain

Data Revised: July 2011

PRECIPITATION

DAILY RAINFALL SUMMARY

1265 Scholl Canyon Landfill

Gage Type: Standard 8 inch diameter

Observation Time: 800

Latitude 34-08-38

Longitude: 118-11-07

Elevation: 1000 Feet

Water Year from 10/01/2004 to 09/30/2005

Day	Oct	Nov	Dec	Jan	Feb	Mar	Apr	May	Jun	Jul	Aug	Sep
1												
2												
3				2.24		0.32						
4				0.20		0.40						
5				0.20		0.27		0.05				
6			0.56					0.20				
7				0.07	0.05							
8			0.08	1.61								
9												
10				7.10								
11				2.88	1.10							
12					1.61							
13												
14						0.08						
15											0.03	
16												
17												
18	0.74				0.56							
19	0.30				1.95	0.33						
20	4.20											0.02
21	0.43				7.76	0.05						0.26
22		0.70			1.45							
23					1.55	1.13						
24					0.02							
25						0.04	0.08					
26												
27	2.65			0.10								
28	0.27		2.43				1.05					
29		0.28	5.38	0.40		0.03	0.05					
30			1.17									
31			0.14									
Totals	8.59	0.98	9.76	14.80	16.05	2.65	1.18	0.25	0.00	0.00	0.03	0.28
												Water Year Total: 54.57

NOTE: All Values are in units of inches, unless otherwise specified.

LEGEND: A - Acculated Total

E - Estimated

T - Trace, unmeasurable amount of rain

Data Revised: July 2011

PRECIPITATION

DAILY RAINFALL SUMMARY

1266 Mission Canyon Landfill

Gage Type: Standard 8 inch diameter

Observation Time: 800

Latitude 34-08-40

Longitude: 118-28-45

Elevation: 1150 Feet

Water Year from 10/01/2004 to 09/30/2005

Day	Oct	Nov	Dec	Jan	Feb	Mar	Apr	May	Jun	Jul	Aug	Sep
1												
2												
3				3.38		0.18						
4				0.54		0.31						
5				0.02		0.88						
6			0.59					0.16				
7				0.24	0.12							
8		0.02	0.17									
9												
10				6.70				0.09				
11				1.65	1.16							
12					1.26							
13												
14						0.02						
15												
16												
17												
18	0.60				0.84							
19	0.17											
20	2.55											0.08
21	0.73					0.24						0.12
22		0.11			6.38							
23					1.18	1.64						
24					0.03							
25	0.02						0.03					
26				0.02								
27	1.54		0.13									0.02
28	0.09	0.04	2.41	0.01	0.12	0.14	1.34					
29			1.55	0.28								
30			0.28									
31												
Totals	5.70	0.17	5.13	12.84	11.09	3.41	1.37	0.25	0.00	0.00	0.00	0.22
												Water Year Total: 40.18

NOTE: All Values are in units of inches, unless otherwise specified.

LEGEND: A - Acculated Total
 E - Estimated
 T - Trace, unmeasurable amount of rain

Data Revised: July 2011

PRECIPITATION

DAILY RAINFALL SUMMARY

1267 **Lancaster Reclamation Plant**

Gage Type: Standard 8 inch diameter

Observation Time: 800

Latitude 34-46-38

Longitude: 118-09-11

Elevation: 2302 Feet

Water Year from 10/01/2004 to 09/30/2005

Day	Oct	Nov	Dec	Jan	Feb	Mar	Apr	May	Jun	Jul	Aug	Sep
1												
2				0.10								
3				0.25			0.02					
4						0.05						
5								0.40				
6				0.10								
7		0.30		0.95								
8				0.20								
9				1.80				0.02				
10				1.40								
11				0.06	0.65							
12												
13												
14												
15												
16												
17					0.20							
18					0.45E	0.22					0.02	
19	0.63				1.31E							0.28
20					0.30E							0.50
21		0.18			0.22E							
22					0.20E	0.35						
23					0.35E							
24												
25				0.10								
26	0.86											
27	0.10		0.47				0.30					
28			2.20	0.42			0.10					
29			0.04									
30												
31			0.06									
Totals	1.59	0.48	2.77	5.38	3.68	0.62	0.42	0.42	0.00	0.00	0.02	0.78
											Water Year Total:	16.16

NOTE: All Values are in units of inches, unless otherwise specified.

LEGEND: A - Acculated Total

 E - Estimated

 T - Trace, unmeasurable amount of rain

Data Revised: July 2011

PRECIPITATION

DAILY RAINFALL SUMMARY

1268 Palmdale Reclamation Plant

Gage Type: Standard 8 inch diameter

Observation Time: 800

Latitude 34-35-30

Longitude: 118-05-10

Elevation: 2565 Feet

Water Year from 10/01/2004 to 09/30/2005

Day	Oct	Nov	Dec	Jan	Feb	Mar	Apr	May	Jun	Jul	Aug	Sep
1												
2				0.03								
3				0.28			0.04					
4			0.03	0.01		0.11						
5								0.15				
6				0.05				0.05				
7		0.17		0.39								
8				0.30			0.05	0.05				
9				1.15								
10				0.70								
11				0.03	0.88							
12												
13												
14												
15												
16	0.02											
17	0.01				0.13							
18	1.58				0.11E	0.23					0.05	
19					1.55E							0.08
20		0.12			0.03E							0.64
21		0.15			0.66E							
22					0.43E	0.50	0.02					
23					0.68E	0.02				T		
24										0.15		
25				0.05								
26	1.50			0.01								0.03
27	0.30		0.66				0.30					
28			2.29	0.38			0.05					
29			0.14									
30			0.01									
31			0.21									
Totals	3.41	0.44	3.34	3.38	4.47	0.86	0.46	0.25	0.00	0.15	0.05	0.75
	Water Year Total:											17.56

NOTE: All Values are in units of inches, unless otherwise specified.

LEGEND: A - Acculated Total

E - Estimated

T - Trace, unmeasurable amount of rain

Data Revised: July 2011

PRECIPITATION

DAILY RAINFALL SUMMARY

1271 Pomona Waste Reclamation Plant

Gage Type: Standard 8 inch diameter

Observation Time: 800

Latitude 34-03-18

Longitude: 117-47-34

Elevation: 786 Feet

Water Year from 10/01/2004 to 09/30/2005

Day	Oct	Nov	Dec	Jan	Feb	Mar	Apr	May	Jun	Jul	Aug	Sep
1												
2				0.22		0.05						
3				0.48								
4			0.06	0.06		0.42		0.07				
5			0.23					0.11				
6				0.16	0.06							
7			0.11	1.76								
8		0.23		1.99								
9				2.19								
10				1.88								
11					1.38							
12					1.01E							
13												
14												
15												
16	0.55											
17	0.38				0.07E							
18	0.55				0.47E	0.21				0.01		
19	2.45				3.15E	0.18						0.22
20		1.29			0.35E							0.45
21					0.76E							
22					3.13E	1.34						
23					1.19E							
24					0.03E							
25				0.01								
26	2.33			0.20								
27	0.39	0.45	0.78				0.88					
28			2.27	0.16			0.06					
29			0.22									
30			0.14									
31			1.04									
Totals	6.65	1.97	4.85	9.11	11.60	2.20	0.94	0.18	0.00	0.00	0.01	0.67
	Water Year Total:											38.18

NOTE: All Values are in units of inches, unless otherwise specified.

LEGEND: A - Acculated Total
 E - Estimated
 T - Trace, unmeasurable amount of rain

Data Revised: July 2011

PRECIPITATION

DAILY RAINFALL SUMMARY

1274 Whittier - Valna Drive

Gage Type: Standard 8 inch diameter (DPW)

Observation Time: 800

Latitude 33-57-39

Longitude: 118-01-10

Elevation: 255 Feet

Water Year from 10/01/2004 to 09/30/2005

Day	Oct	Nov	Dec	Jan	Feb	Mar	Apr	May	Jun	Jul	Aug	Sep
1				0.93								
2												
3				0.95		0.12						
4				0.07		0.22						
5			0.11	0.26		0.12						
6			0.46					0.10				
7			T	0.22	0.02							
8		0.05	0.12	1.88								
9				1.39								
10				2.33								
11				0.98	0.88							
12					1.83							
13												
14												
15												
16												
17	0.54											
18	0.68				0.42							
19	0.33				4.05	0.19	0.02					
20	3.08				0.52	0.09						0.11
21	1.12	0.50			2.37							0.42
22					1.94							
23					1.10	2.23						
24						0.02	0.02					
25							0.03					
26				0.03				T				
27	2.38			0.02								
28	0.67	0.19	1.22	0.01		0.03	1.18					
29			1.83	0.14			0.12					
30			0.43									
31			0.05									
Totals	8.80	0.74	4.22	9.21	13.13	3.02	1.37	0.10	0.00	0.00	0.00	0.53
												Water Year Total: 41.12

NOTE: All Values are in units of inches, unless otherwise specified.

LEGEND: A - Acculated Total

E - Estimated

T - Trace, unmeasurable amount of rain

Data Revised: July 2011

APPENDIX B

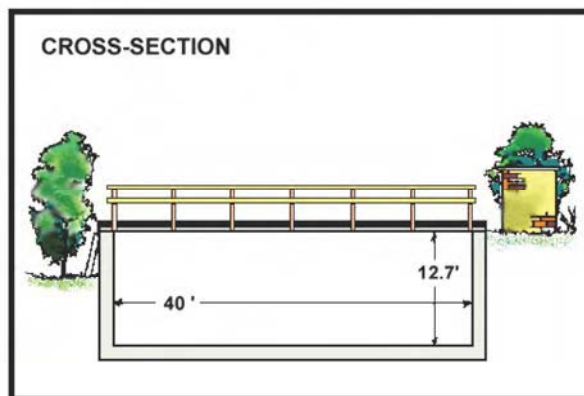
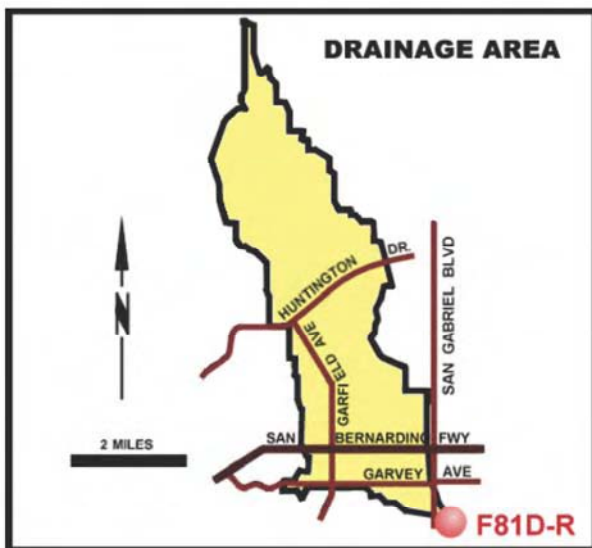
HYDROLOGIC REPORT 2004 – 2005

RUNOFF - STREAM GAGING STATION INFORMATION

RUNOFF - STREAM GAGING STATION INFORMATION

ALHAMBRA WASH

above Klingerman Street
STATION NO. F81D-R



RECORDER 5 min. interval data logger.

METHOD OF MEASUREMENT wading or from footbridge.

DRAINAGE AREA 15.20 square miles.

LOCATION 250 feet *above* Klingerman Street and 2650 feet *below* Garvey Avenue, South San Gabriel

REGULATION none.

DIVERSION none.

CHANNEL concrete, rectangular in section, 40.0 feet wide by 12.7 feet deep.

CONTROL channel forms control.

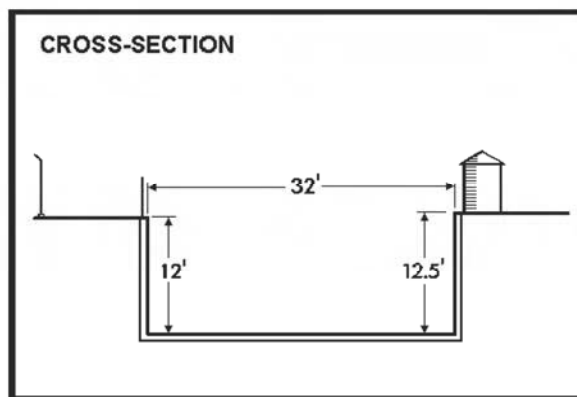
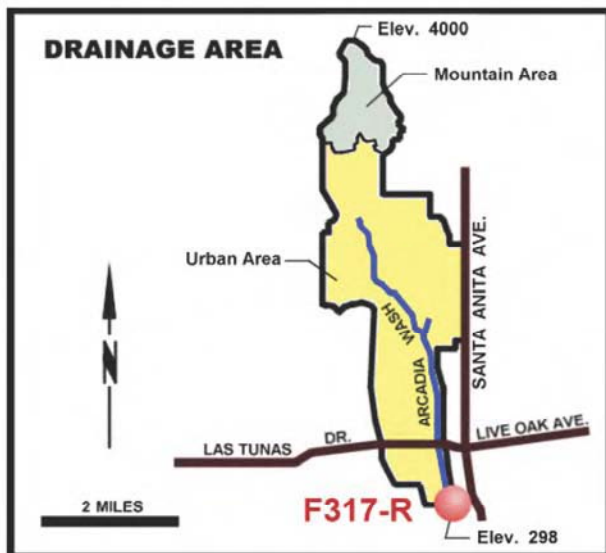
LENGTH OF RECORD at Station F81-R, January 14, 1930 to September 30, 1934; at Station F81B-R, October 1, 1934 to February 25, 1935; at Station F81C-R February 25, 1935 to April 27, 1936; at Station F81B-R April 27, 1936 to May 22, 1936; at Station F81D-R, September 2, 1936 to date.

RUNOFF - STREAM GAGING STATION INFORMATION

ARCADIA WASH

below Grand Avenue

STATION NO. F317-R



RECORDER 5 min. interval data logger.

METHOD OF MEASUREMENT low flows measured by wading. High flows measured from upstream side of Grand Avenue bridge.

DRAINAGE AREA 8.50 square miles.

LOCATION on the west wall of Arcadia Wash about 75 feet downstream from centerline of Grand Avenue.

REGULATION several debris basins located upstream.

DIVERSION none.

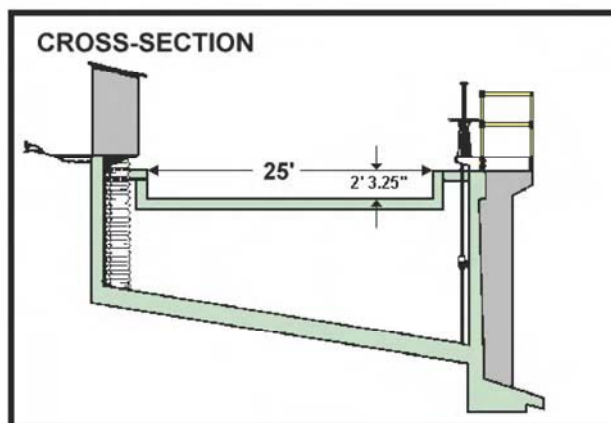
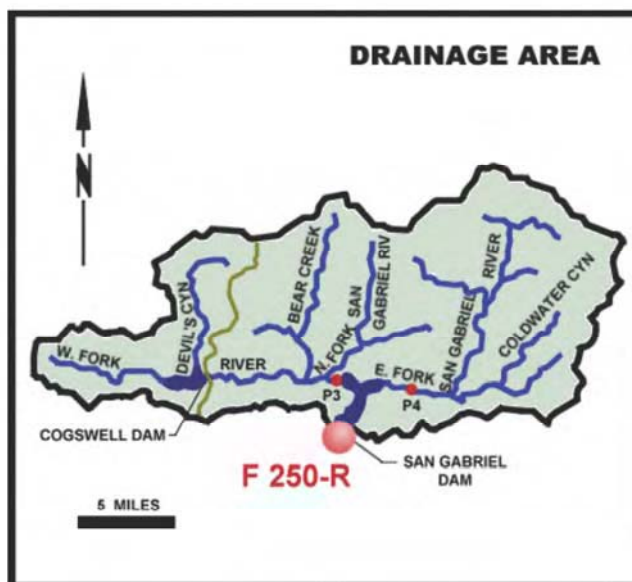
CHANNEL concrete, rectangular section.

CONTROL LENGTH OF RECORD December 12, 1955 to date.

RUNOFF - STREAM GAGING STATION INFORMATION

AZUSA CONDUIT

(Sandbox 20' weir)
STATION NO. F250-R



RECORDER 5 min. interval data logger.

METHOD OF MEASUREMENT weir formula with gage height observation.

DRAINAGE AREA 202.70 square miles.

LOCATION on the concrete conduit which diverts from San Gabriel Dam, 160 feet below the dam.

REGULATION regulated in section.

DIVERSION none.

CHANNEL 25-foot concrete weir.

CONTROL channel forms control.

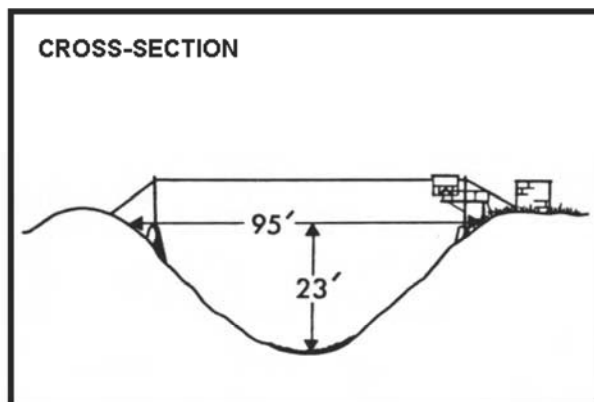
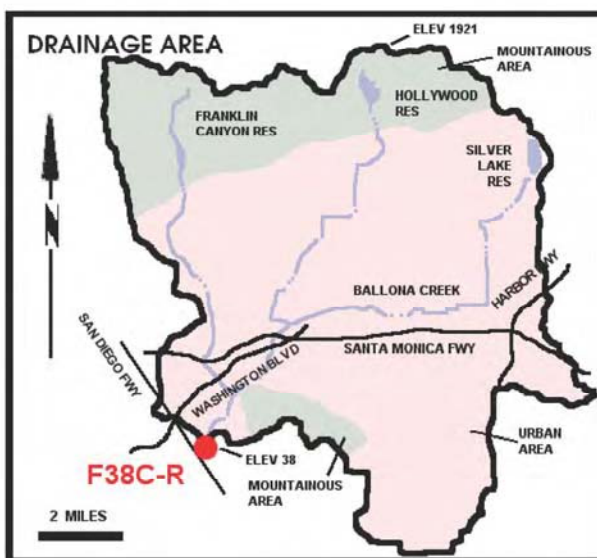
LENGTH OF RECORD February 26, 1933 to date.

REMARKS approximate capacity 95 second-feet.

RUNOFF - STREAM GAGING STATION INFORMATION

BALLONA CREEK

above Sawtelle Blvd.
STATION NO. F38C-R



RECORDER continuous water stage.

METHOD OF MEASUREMENT wading or from cable car.

DRAINAGE AREA 88.60 square miles.

LOCATION 530.0 feet above Sawtelle Boulevard, 1.5 miles southwest of Culver City.

REGULATION Stone Canyon Reservoir prior to January, 1951. Upper and Lower Franklin Canyon Reservoir, Hollywood Reservoir, and Silverlake Reservoir.

DIVERSION none.

CHANNEL concrete rubble, trapezoidal in section.

CONTROL channel forms control.

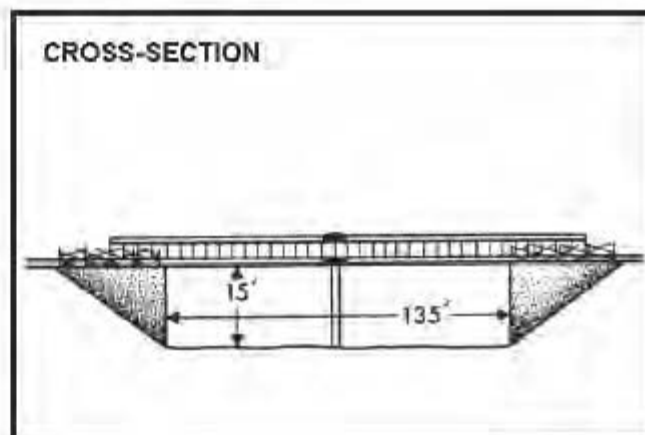
LENGTH OF RECORD at station F38-R, February 27, 1928 to April 27, 1936; at Station F38B-R, May 14, 1936 to August 10, 1967; at Station F38C-R, August 10, 1967 to date.

RUNOFF - STREAM GAGING STATION INFORMATION

BOUQUET CANYON CREEK

@ Urbandale Avenue

STATION NO. F377-R



RECORDER continuous water stage.

METHOD OF MEASUREMENT wading or from bridge.

DRAINAGE AREA 51.90 square miles.

LOCATION Bouquet Canyon Creek @ Urbandale Avenue, 3.5 miles northeast of Saugus.

REGULATION Bouquet Reservoir.

DIVERSION none.

CHANNEL concrete sides with natural bottom, trapezoidal in section.

CONTROL concrete stabilizer.

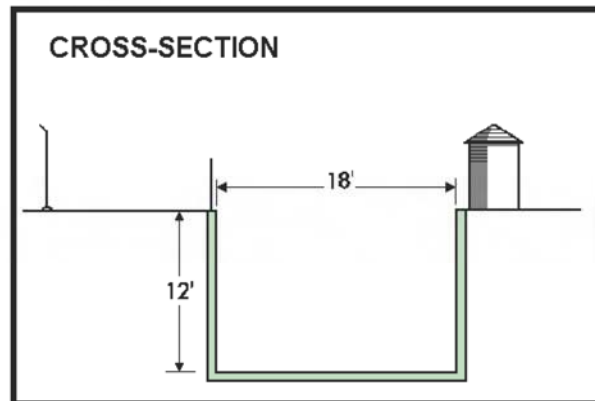
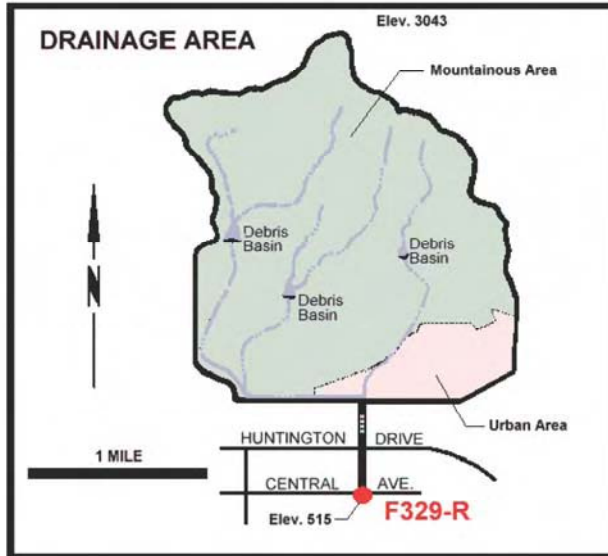
LENGTH OF RECORD October 11, 1967 to date.

RUNOFF - STREAM GAGING STATION INFORMATION

BRADBURY CHANNEL

below Central Avenue

STATION NO. F329-R



RECORDER 5 min. interval data logger.

METHOD OF MEASUREMENT low flows measured by wading. High flows measured from footbridge four feet downstream from recorder.

DRAINAGE AREA 3.30 square miles.

LOCATION on the east wall of Bradbury Channel, 200 feet downstream from the centerline of Central Avenue, one mile east of Duarte.

REGULATION two debris basins located upstream.

DIVERSION none.

CHANNEL rectangular concrete, 18 feet wide, 12 feet deep.

CONTROL channel forms control.

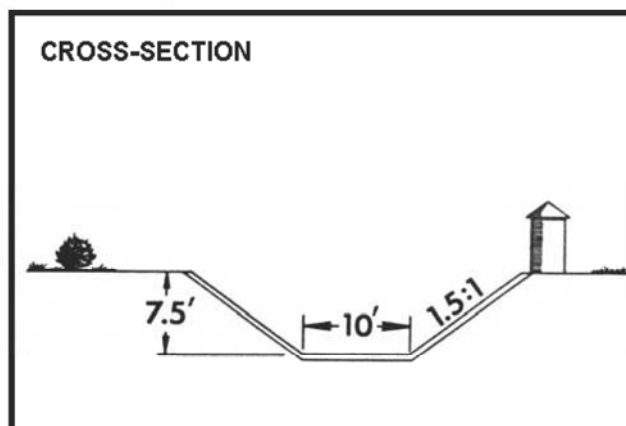
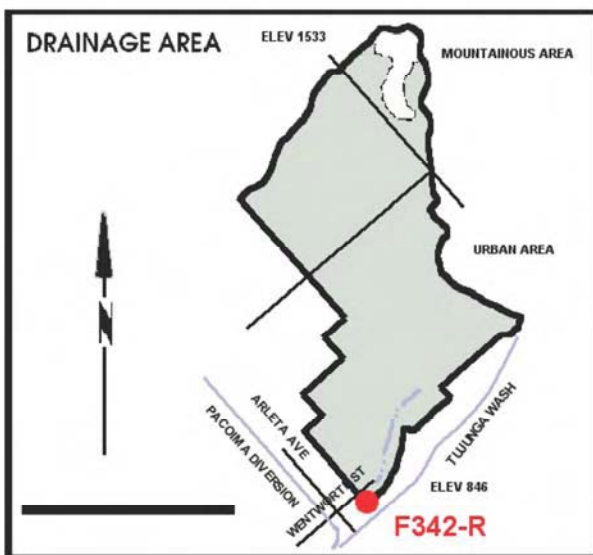
LENGTH OF RECORD June 14, 1957 to date.

RUNOFF - STREAM GAGING STATION INFORMATION

BRANFORD STREET CHANNEL

below Sharp Avenue

STATION NO. F342-R



RECORDER 15 min. punch tape.

METHOD OF MEASUREMENT low flows measured by wading. High flows measured by floats.

DRAINAGE AREA 5.01 square miles.

LOCATION on the south bank of channel, 125 feet downstream from Sharp Avenue, about 3.6 miles south of San Fernando.

REGULATION flow from Lopez Creek is diverted to Hansen Dam at the mouth of Lopez Canyon.

DIVERSION none.

CHANNEL trapezoidal, 10 feet wide at bottom and 7.5 feet deep with 1.5 to 1 side slopes.

CONTROL channel forms control.

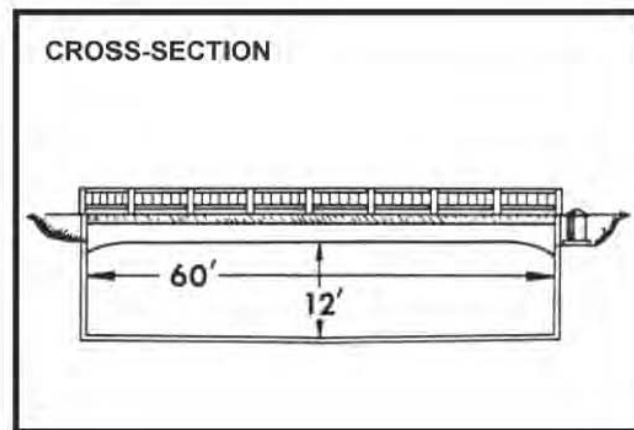
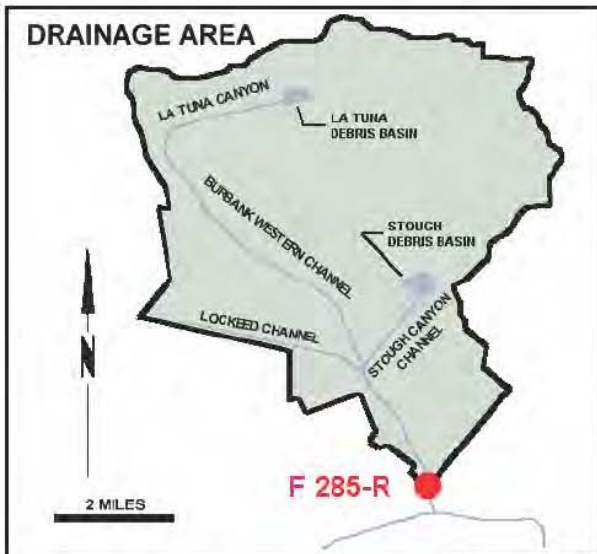
LENGTH OF RECORD January 12, 1962 to date.

RUNOFF - STREAM GAGING STATION INFORMATION

BURBANK WESTERN STORM DRAIN

@ Riverside Drive

STATION NO. E285-R



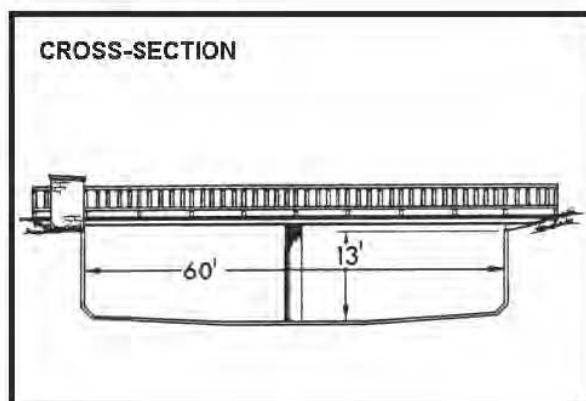
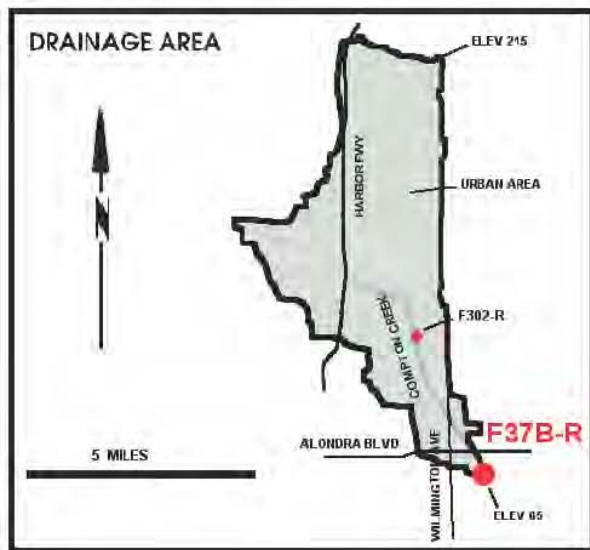
RECORDER continuous water stage.
METHOD OF MEASUREMENT wading or from bridge.
DRAINAGE AREA 25 square miles.
LOCATION 20 feet upstream from Riverside Drive, Glendale.
REGULATION several debris basins on tributaries.
DIVERSION none.
CHANNEL concrete, rectangular section.
CONTROL channel forms control.
LENGTH OF RECORD October 1, 1949 to date.
REMARKS operated in cooperation with the USCE.

RUNOFF - STREAM GAGING STATION INFORMATION

COMPTON CREEK

near Greenleaf Drive

STATION NO. F37B-R



RECORDER continuous water stage.

METHOD OF MEASUREMENT wading or from bridge.

DRAINAGE AREA 22.60 square miles.

LOCATION 120.0 feet above Greenleaf Boulevard, 1.5 miles south west of Compton.

REGULATION none.

DIVERSION none.

CHANNEL concrete, rectangular in section, 60 feet wide by 13 feet deep.

CONTROL channel forms control.

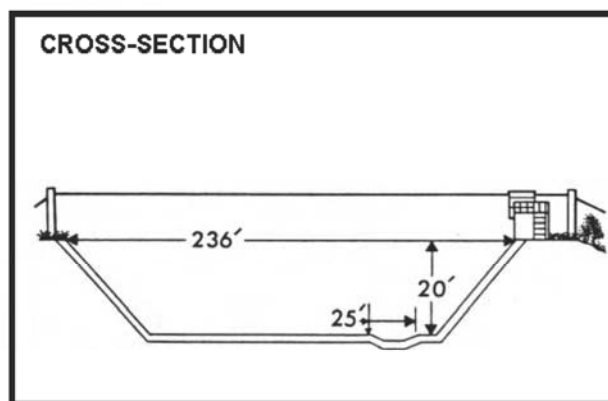
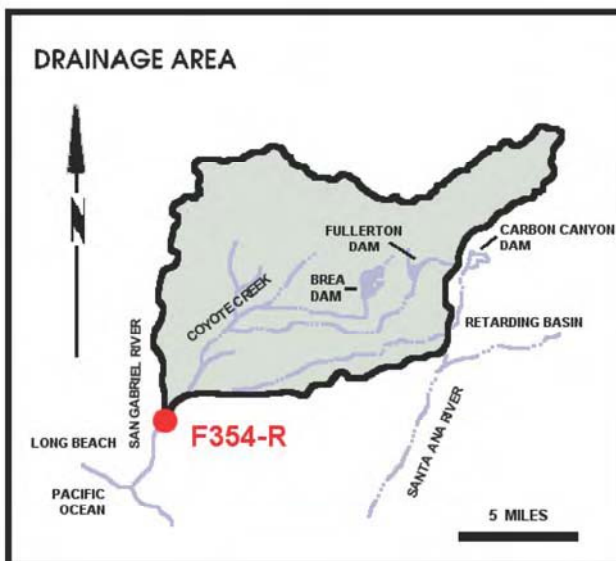
LENGTH OF RECORD at Station F37-R, January 22, 1928 to June 9, 1938; at Station F37B-R, October 3, 1938 to date.

RUNOFF - STREAM GAGING STATION INFORMATION

COYOTE CREEK

below Spring Street

STATION NO. F354-R



RECORDER continuous water stage.

METHOD OF MEASUREMENT wading or from cable car.

DRAINAGE AREA 185 square miles.

LOCATION 241 feet below Spring Street, 5.7 miles northeast of Long Beach.

REGULATION partially regulated by Fullerton Dam, Brea Dam, and Carbon Canyon Dam.

DIVERSION none.

CHANNEL concrete, trapezoidal in section.

CONTROL channel forms control.

LENGTH OF RECORD December 19, 1936 to date.

REMARKS previous gaging station for record correlation: Station F41-S, December 1, 1928 to January 14, 1930;

Station F41-R, January 14, 1930 to October 30, 1936; Station F41B-R, October 30, 1936 to February 17, 1937;

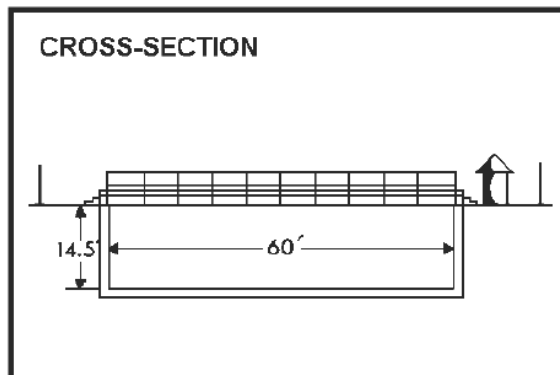
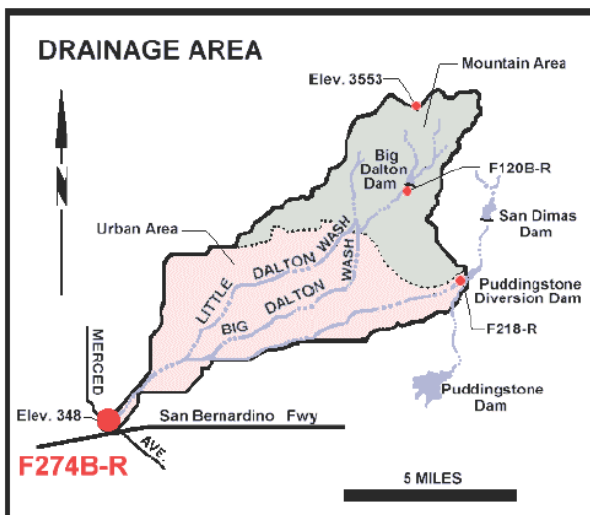
Station F41C-R, February 18, 1937 to February 8, 1956; Station F320-R, February 9, 1956 to July 2, 1965.

RUNOFF - STREAM GAGING STATION INFORMATION

DALTON WASH

@ Merced Avenue

STATION NO. F274B-R



RECORDER 5 min. interval data logger.

METHOD OF MEASUREMENT low flows measured by wading. High flows measured from footbridge 100 feet from station.

DRAINAGE AREA 35.95 square miles.

LOCATION on the west bank and upstream of Merced Avenue about 150 feet, about one-half miles above the junction with Walnut Wash and about one mile south of Baldwin Park.

REGULATION partly regulated by Big Dalton Dam, San Dimas Dam, Puddingstone Diversion Dam, Big Dalton Spreading Grounds, Little Dalton Spreading Grounds, Big Dalton Debris Basin, Little Debris Basin and Irwindale Spreading Grounds.

DIVERSION none.

CHANNEL concrete, rectangular section.

CONTROL channel forms control.

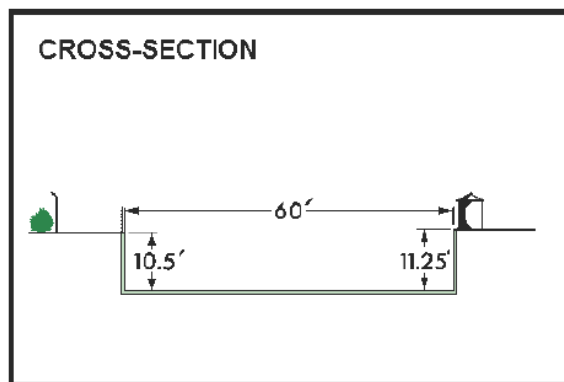
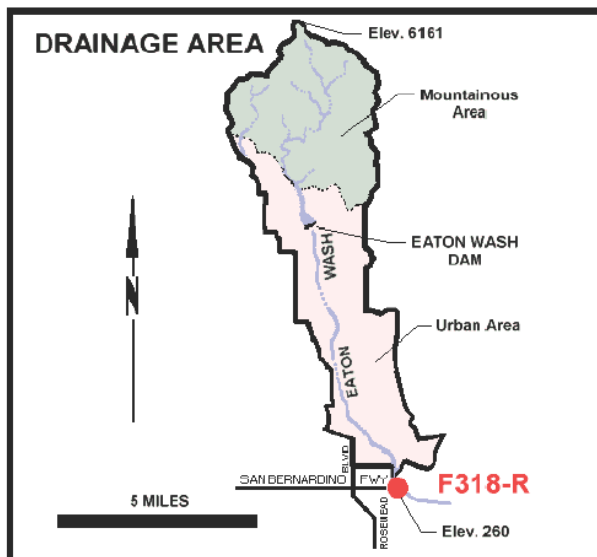
LENGTH OF RECORD REMARKS flow may include imported water originating at San Dimas.

RUNOFF - STREAM GAGING STATION INFORMATION

EATON WASH

@ Loftus Drive

STATION NO. F318-R



RECORDER 5 min. interval data logger.

METHOD OF MEASUREMENT low flows measured by wading. High flows measured from upstream side of East Loftus Drive bridge.

DRAINAGE AREA 22.80 square miles.

LOCATION on the west wall of the channel 52 feet above the centerline of East Loftus Drive bridge, 1.3 miles west of El Monte.

REGULATION partly regulated by Eaton Dam.

DIVERSION the Pasadena Water Department diverts some water just above the mouth of Eaton Canyon. The Flood Control District Diverts water to spreading grounds below Eaton Dam and below Huntington Drive.

CHANNEL rectangular concrete, 60 feet wide, 11.3 feet.

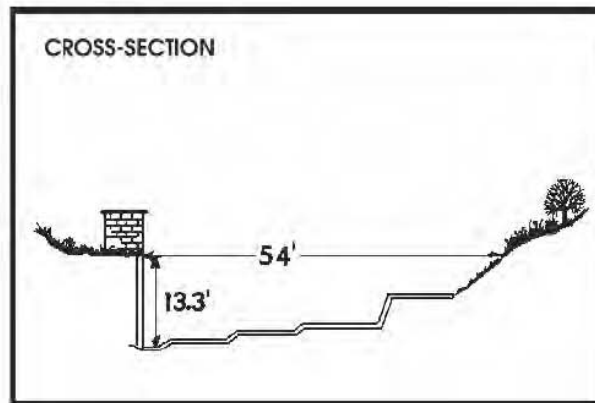
CONTROL channel forms control.

LENGTH OF RECORD 1956 to date.

RUNOFF - STREAM GAGING STATION INFORMATION

FISH CREEK

above Mouth of Canyon
STATION NO. U7-R



RECORDER 5 min. interval data logger.

METHOD OF MEASUREMENT wading.

DRAINAGE AREA 6.36 square miles.

LOCATION 0.8 miles upstream of Mouth of Canyon and 3.0 miles northeast of Duarte.

REGULATION none.

DIVERSION none.

CHANNEL natural, rock and gravel.

CONTROL concrete control.

LENGTH OF RECORD July to September 1916; July 1917 to date.

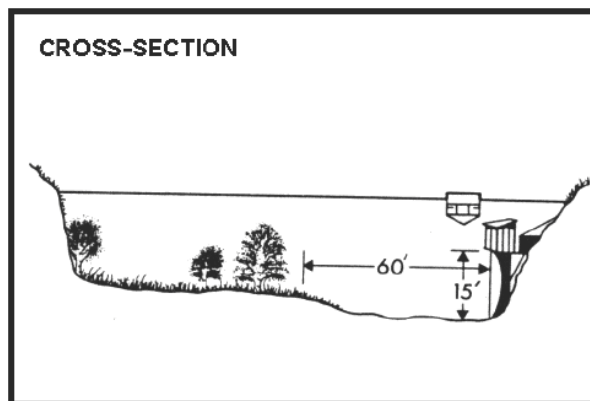
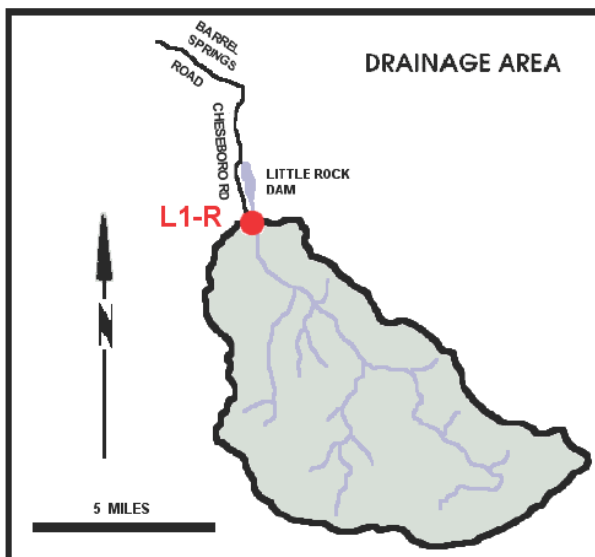
REMARKS operated and maintained by USGS until October 1, 1971.

RUNOFF - STREAM GAGING STATION INFORMATION

LITTLE ROCK CREEK

above Little Rock Dam

STATION NO. L1-R



RECORDER continuous water stage.

METHOD OF MEASUREMENT wading or from cable car.

DRAINAGE AREA 49.20 square miles.

LOCATION 2.0 miles above Little Rock Dam, 5.0 miles south of Little Rock.

REGULATION none.

DIVERSION none.

CHANNEL Sand, gravel, and boulder, natural in section.

CONTROL channel forms control.

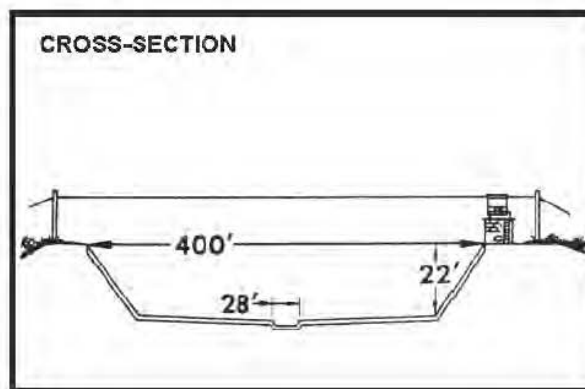
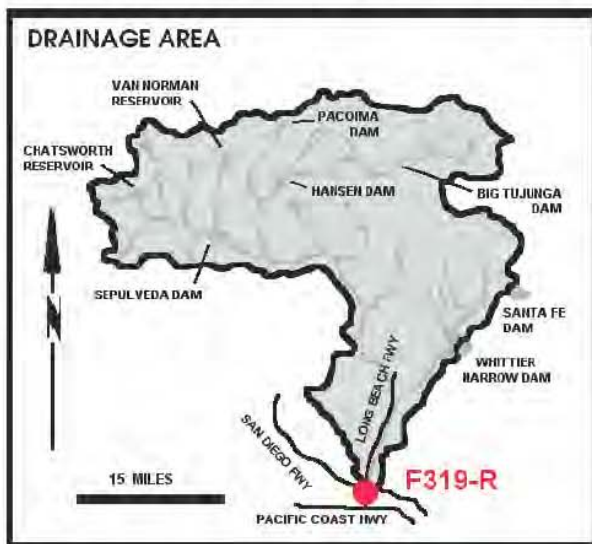
LENGTH OF RECORD October 1, 1930 to date.

RUNOFF - STREAM GAGING STATION INFORMATION

LOS ANGELES RIVER

below Wardlow River Road

STATION NO. F319-R



RECORDER continuous water stage.

METHOD OF MEASUREMENT wading or from cable car.

DRAINAGE AREA 815.00 square miles.

LOCATION 900.0 feet below Wardlow Road, Long Beach.

REGULATION flow is subject to the same regulation as Station F34D-R and P45B-R.

DIVERSION flows diverted to Dominguez Gap Spreading Grounds.

CHANNEL trapezoidal, concrete, 302.0 feet wide at bottom with 2.25:1 side slopes. Low flow channel 28.0 feet wide by 1.0 foot deep in center of channel.

CONTROL channel forms control.

LENGTH OF RECORD at Station F180-R, October 31, 1931 to January 13, 1956; at Station F319-R, January 13, 1956 to date.

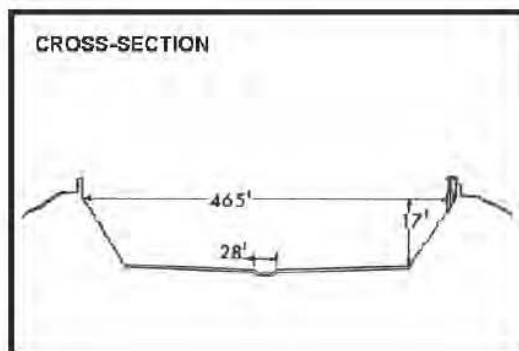
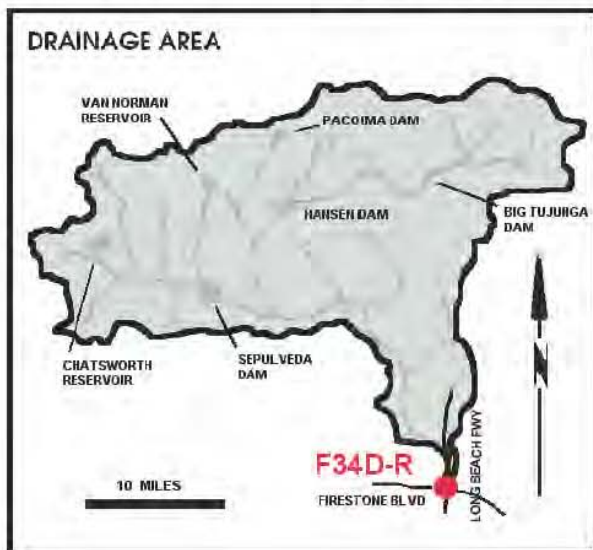
REMARKS prior to 1931, see Station F36-R.

RUNOFF - STREAM GAGING STATION INFORMATION

LOS ANGELES RIVER

below Firestone Blvd.

STATION NO. F34D-R



RECORDER continuous water stage.

METHOD OF MEASUREMENT wading or from bridge.

DRAINAGE AREA 596.00 square miles.

LOCATION 472.0 feet downstream of Firestone Boulevard, 3.0 miles west of Downey.

REGULATION partially regulated by Sepulveda, Pacoima, Big Tujunga, Hansen, and Devil's Gate Dam; and by several spreading grounds, reservoirs, and debris basins.

DIVERSION none.

CHANNEL concrete, with rip-rap side slopes, trapezoidal in section, with trapezoidal low flow channel.

CONTROL channel forms control.

LENGTH OF RECORD at Station F34-R, March 1, 1928 to April 11, 1938; at Station F34B-r, April 11, 1938 to November 3, 1949; at Station F34C-R, November 4, 1949 to December 11, 1956; at Station F34D-R, December 11, 1956 to date.

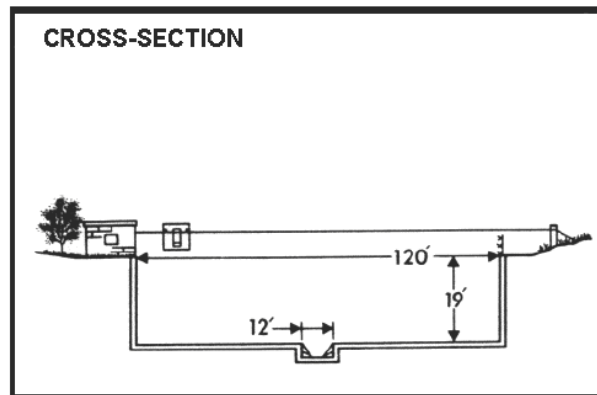
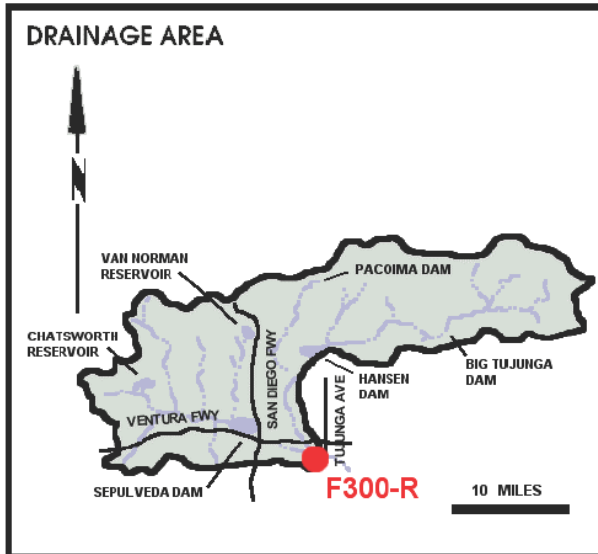
REMARKS subject to diversion from Big Tujunga Creek, Arroyo Seco, and other domestic irrigation diversions.

RUNOFF - STREAM GAGING STATION INFORMATION

LOS ANGELES RIVER

@ Tujunga Avenue

STATION NO. F300-R



RECORDER continuous water stage.

METHOD OF MEASUREMENT wading or from cable car.

DRAINAGE AREA 401 square miles.

LOCATION 200 feet above Tujunga Avenue bridge, Studio City.

REGULATION flow regulated by Sepulveda, Big Tujunga, Hansen, Pacoima Dams, Lopez Debris Dam, and Project No. 85 Diversion.

DIVERSION none.

CHANNEL concrete, rectangular section, 120 feet wide by 19 feet deep.

CONTROL channel forms control.

LENGTH OF RECORD from May 8, 1950 to date.

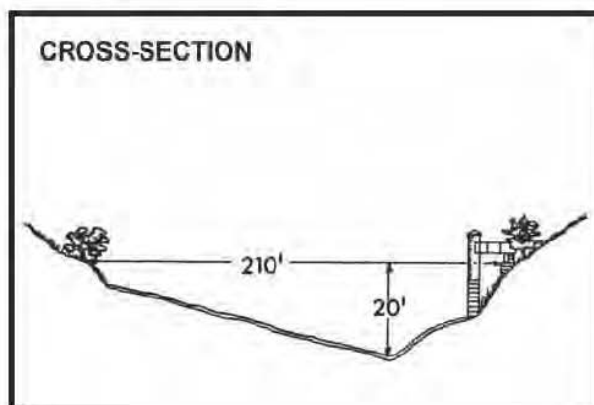
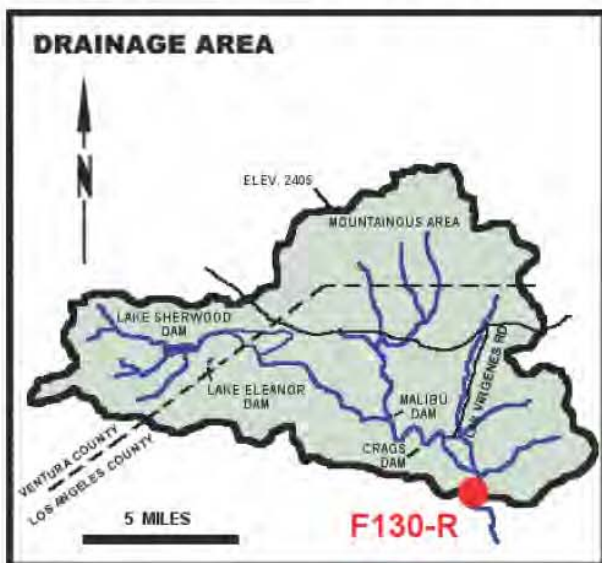
REMARKS subject to diversions at mouth of Big Tujunga and Pacoima Canyons for irrigation, at Big Tujunga, Branford, Hansen, and Pacoima Spreading Grounds.

RUNOFF - STREAM GAGING STATION INFORMATION

MALIBU CREEK

below Cold Creek

STATION NO. F130-R



RECORDER continuous water stage.

METHOD OF MEASUREMENT wading or from cable car.

DRAINAGE AREA 104.96 square miles.

LOCATION 0.2 mile downstream of Cold Creek, 6.0 miles southwest of Calabasas.

REGULATION Lake Sherwood Dam, Lake Eleanor Dam, Malibu Lake Dam and Crag's Dam. Other small recreational dams affect low summer flows.

DIVERSION none.

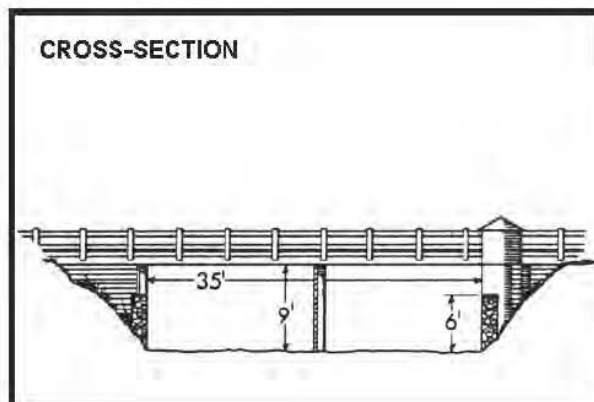
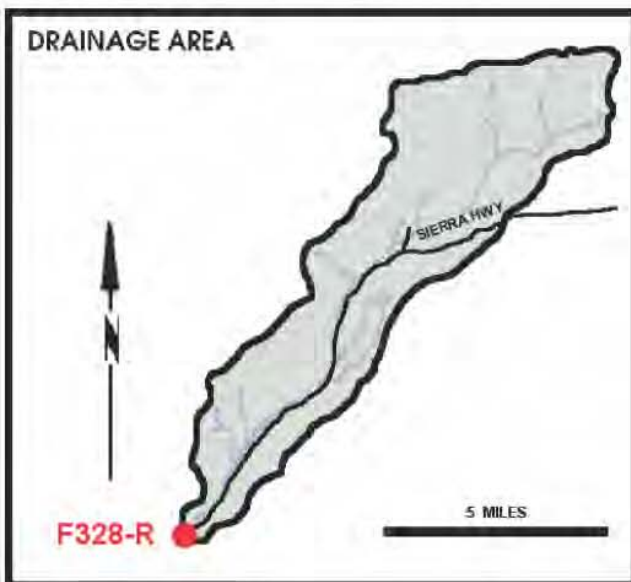
CHANNEL coarse sand and gravel, lined with trees and brush, natural in section.

CONTROL concrete stabilizer.

LENGTH OF RECORD January 17, 1931 to date.

REMARKS cableway washed out on January 25, 1969; no high flow measurements since that date.

RUNOFF - STREAM GAGING STATION INFORMATION

MINT CANYON CREEK**@ Fitch Avenue****STATION NO. F328-R**

RECORDER continuous water stage.

METHOD OF MEASUREMENT wading or from cable car.

DRAINAGE AREA 26.90 square miles.

LOCATION 8.5 miles northeast of Saugus on west end of Fitch Avenue bridge.

REGULATION none.

DIVERSION none.

CHANNEL natural, sand and gravel.

CONTROL concrete control at downstream end of bridge.

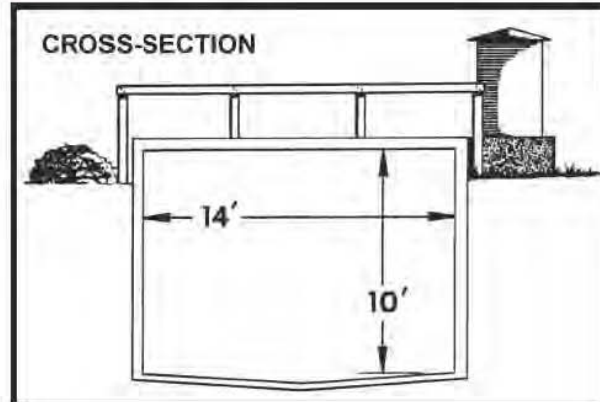
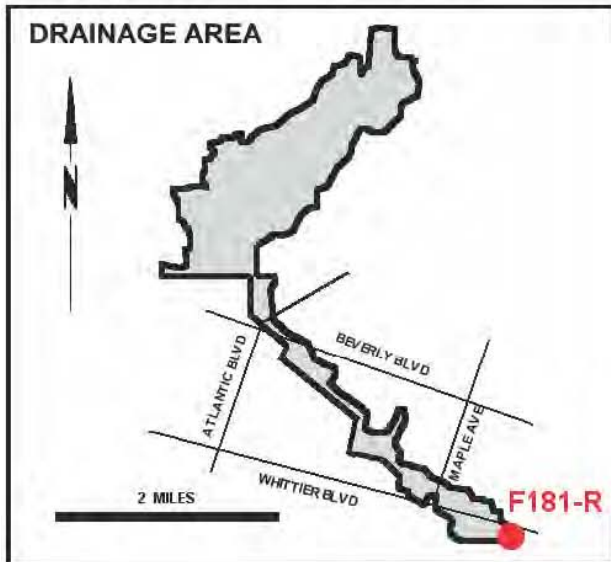
LENGTH OF RECORD October 26, 1956 to date.

RUNOFF - STREAM GAGING STATION INFORMATION

MONTEBELLO STORM DRAIN

outlet to Rio Hondo

STATION NO. F181-R



RECORDER continuous water stage.

METHOD OF MEASUREMENT wading or from footbridge.

DRAINAGE AREA 9.60 square miles.

LOCATION 150.0 feet east of Mines Avenue and 500.0 feet west of Rio Hondo.

REGULATION none.

DIVERSION none.

CHANNEL 14.0 foot by 10.0 foot concrete, box section.

CONTROL channel forms control.

LENGTH OF RECORD January 12, 1932 to date.

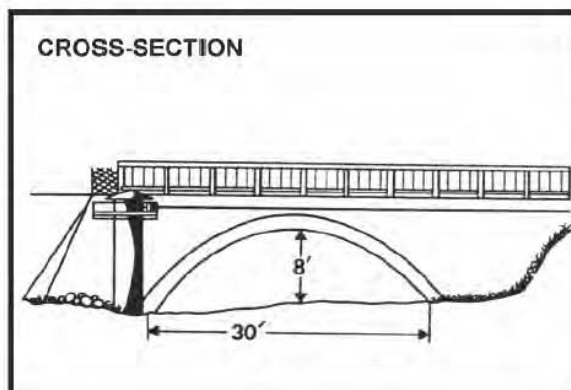
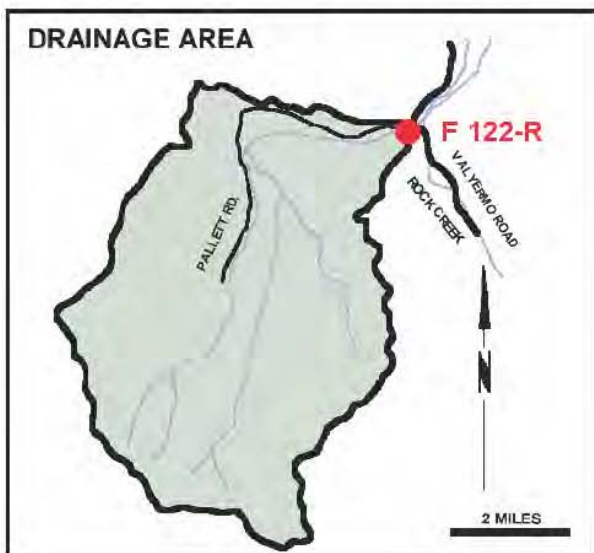
REMARKS may be affected by backwater during flood flows.

RUNOFF - STREAM GAGING STATION INFORMATION

PALLETT CREEK

@ Valyermo Highway

STATION NO. F122-R



RECORDER continuous water stage.

METHOD OF MEASUREMENT wading or from bridge.

DRAINAGE AREA 15.80 square miles.

LOCATION upstream side of Valyermo Highway bridge, 5.0 miles southeast of Pearblossom.

REGULATION none.

DIVERSION none.

CHANNEL sand and gravel, natural section.

CONTROL channel forms control for low flows; bridge form control for high flows.

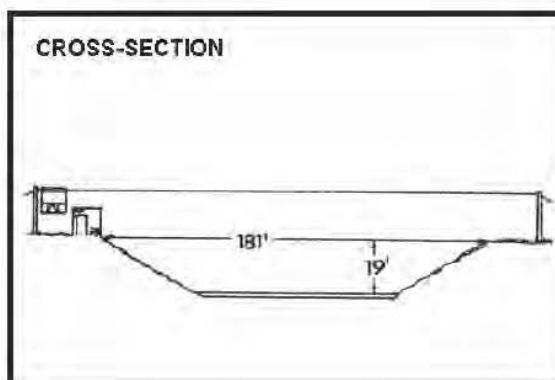
LENGTH OF RECORD at Station F122-S, December 29, 1930 to October 31, 1961; at Station F122-R, October 31, 1961 to date.

RUNOFF - STREAM GAGING STATION INFORMATION

RIO HONDO

above Stuart and Gray Road

STATION NO. F45B-R



RECORDER continuous water stage.

METHOD OF MEASUREMENT wading or from cable car.

DRAINAGE AREA 140 square miles.

LOCATION 0.6 mile upstream of the confluence of Rio Hondo and Los Angeles River, 1.5 miles west of Downey.

REGULATION partially regulated by Sierra Madre, Santa Anita, Sawpit, Eaton, Santa Fe, and Whittier Narrows Dams, several debris basins, and spreading grounds.

DIVERSION none.

CHANNEL concrete with rip-rap side slopes, trapezoidal in section.

CONTROL channel forms control.

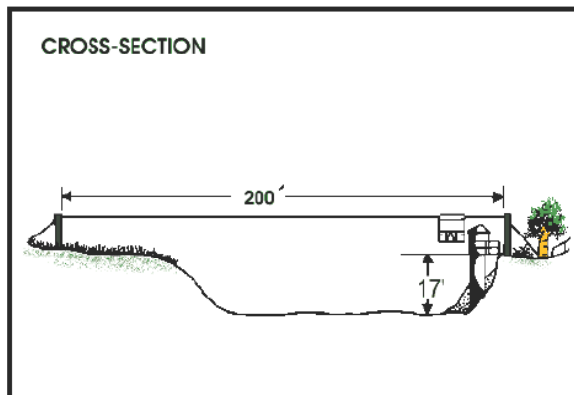
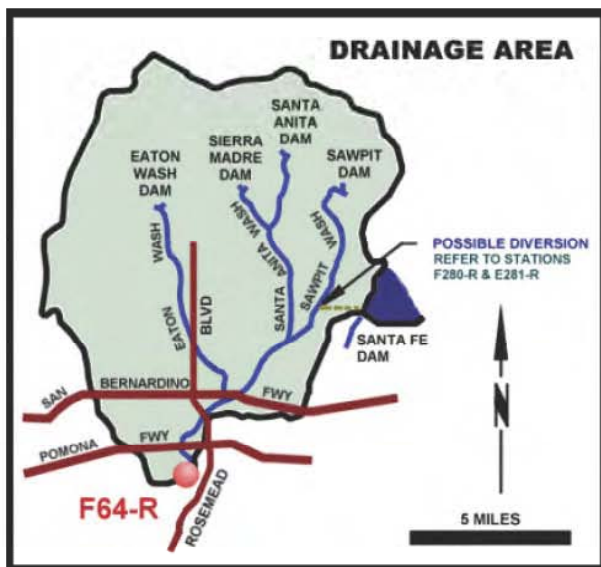
LENGTH OF RECORD at Station F45-R, March 1, 1928 to April 18, 1951; at Station F45B-R, October 31, 1951 to date.

REMARKS subject to diversions from Eaton Creek, Monrovia Creek, Sawpit Creek, Little Santa Anita Canyon, and other locations for irrigation and spreading. High flows from San Gabriel River may flow into Rio Hondo above Whittier Narrows Dam.

RUNOFF - STREAM GAGING STATION INFORMATION

RIO HONDO

above Mission Bridge
STATION NO. F64-R



RECORDER 5 min. interval data logger.

METHOD OF MEASUREMENT wading or from cable car.

DRAINAGE AREA 115 square miles.

LOCATION 1,000 feet above San Gabriel Boulevard, west of Rosemead Boulevard, 2.0 miles northeast of Montebello.

REGULATION partially regulated by Sierra Madre, Santa Anita, Sawpit, Eaton, and Santa Fe Dams and several debris basins.

DIVERSION none.

CHANNEL sand and silt, natural in section.

CONTROL none.

LENGTH OF RECORD July 1, 1928 to date.

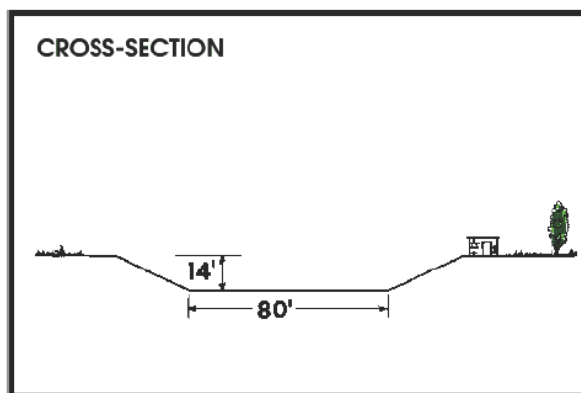
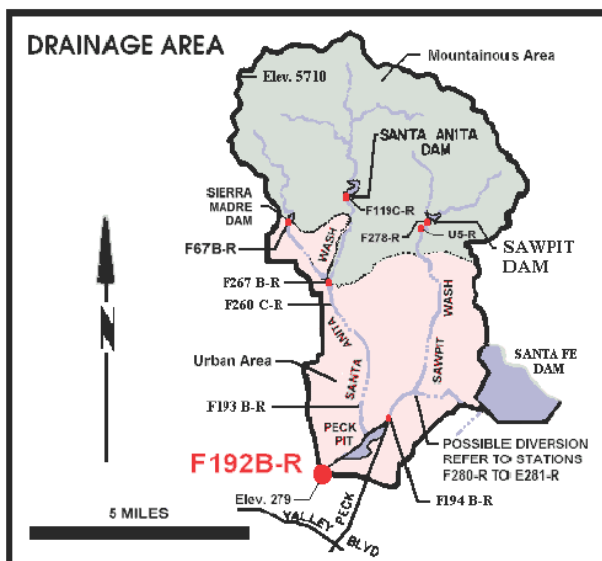
REMARKS subject to diversion; water purchased from the MWD passes this station for spreading in the coastal basin.

RUNOFF - STREAM GAGING STATION INFORMATION

RIO HONDO

below Lower Azusa Avenue

STATION NO. F192B-R



RECORDER 5 min. interval data logger.

METHOD OF MEASUREMENT wading.

DRAINAGE AREA 40.90 square miles.

LOCATION 300 feet downstream from Lower Azusa Road, 1.5 miles north of El Monte.

REGULATION partially regulated by Sierra Madre Dam, Santa Anita Dam, Sawpit Dam, Santa Fe Dam, Peck Pit, Buena Vista Pit, and several debris basins.

DIVERSION none.

CHANNEL concrete, trapezoidal section.

CONTROL channel forms control.

LENGTH OF RECORD at Station F192-R, February 22, 1932 to May 7, 1958; at Station F192B-R, May 7, 1958 to date.

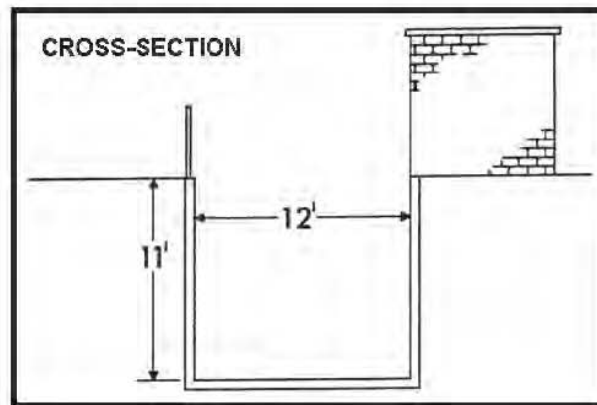
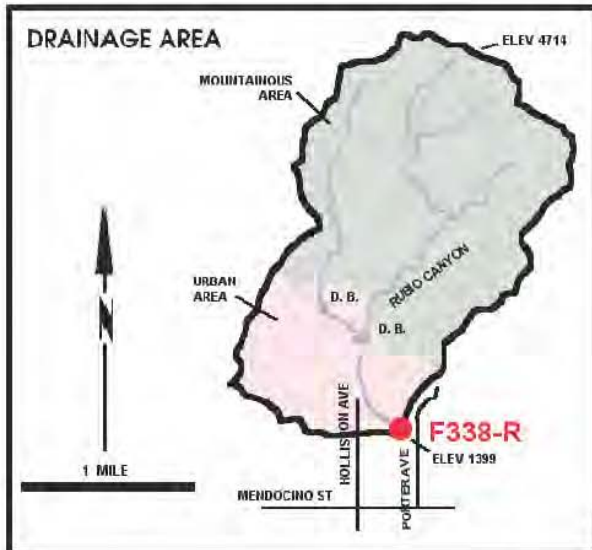
REMARKS subject to diversions from Monrovia, Sawpit, and Little Santa Anita Creeks. Also from the San Gabriel River below Santa Fe Dam; and from irrigation and spreading.

RUNOFF - STREAM GAGING STATION INFORMATION

RUBIO DIVERSION CHANNEL

below Gooseberry Inlet

STATION NO. F338-R



RECORDER 15 min. punch tape.

METHOD OF MEASUREMENT low flows measured by wading. High flows measured from steel footbridge 27 feet above station.

DRAINAGE AREA 2.10 square miles.

LOCATION on the north bank, 375 feet upstream of Crest Drive, 3.5 miles northeast of Pasadena.

REGULATION flow partially regulated by Rubio and Goosebury Debris Basins.

DIVERSION none.

CHANNEL rectangular concrete, 12 feet wide and 11 feet deep.

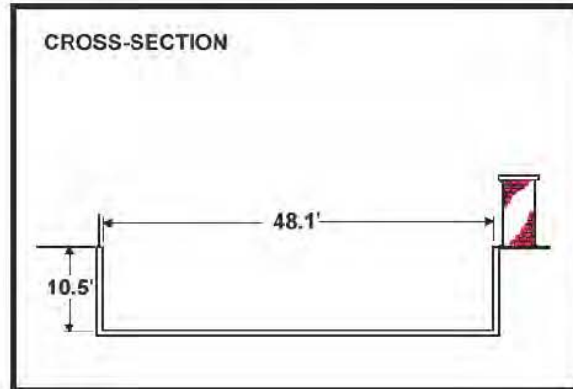
CONTROL channel forms control.

LENGTH OF RECORD December 16, 1959 to date.

RUNOFF - STREAM GAGING STATION INFORMATION

RUBIO WASH

@ Glendon Way
STATION NO. F82C-R



RECORDER 5 min. interval data logger.

METHOD OF MEASUREMENT low flows measured by wading. High flows measured from footbridge at station.

DRAINAGE AREA 10.90 square miles.

LOCATION on the east side of channel, 10 feet south of the westerly extension of Glendon Way, Rosemead.

REGULATION partly regulated by Las Flores and Rubio debris basins.

DIVERSION none.

CHANNEL rectangular concrete.

CONTROL channel forms control.

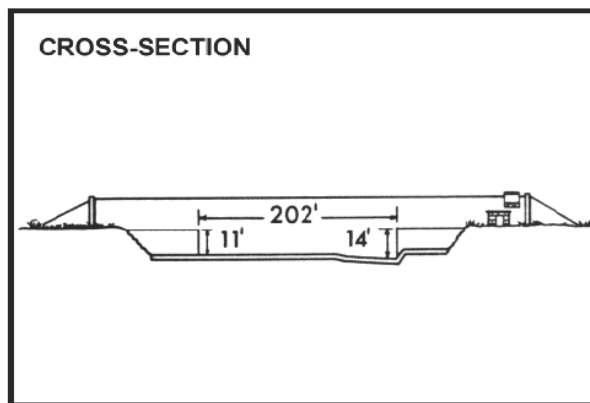
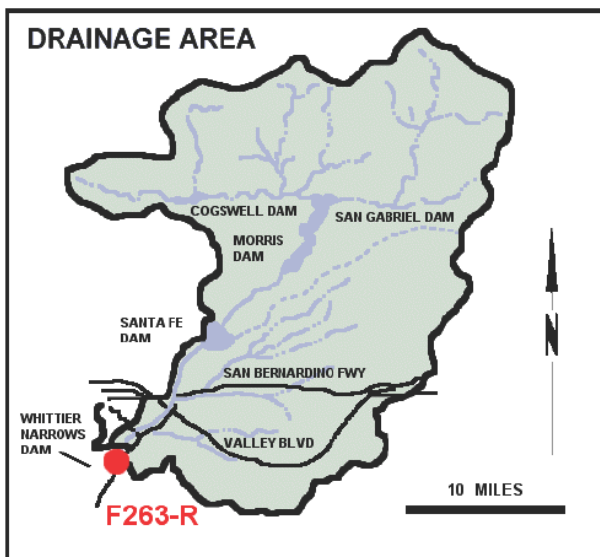
LENGTH OF RECORD see station summary.

RUNOFF - STREAM GAGING STATION INFORMATION

SAN GABRIEL RIVER

below San Gabriel River Parkway

STATION NO. F263C-R



RECORDER continuous water stage.

METHOD OF MEASUREMENT wading or from cable car.

DRAINAGE AREA 206.30 square miles.

LOCATION 462 feet below San Gabriel River Parkway, 1.4 miles northeast of Pico Rivera.

REGULATION partially regulated by Santa Fe, Big Dalton, Puddingstone Diversion, Puddingstone, and Thompson Creek Dams. Flows may include imported water from several Metropolitan Water District outlets. Waters at times diverted to the Zone one ditch, upstream of Whittier Narrows Dam.

DIVERSION none.

CHANNEL rip-rap slopes with sand bottom trapezoidal section.

CONTROL concrete stabilizer.

LENGTH OF RECORD at Station F263-R, February 4, 1937 to March 6, 1952; at Station F263B-R, March 6, 1952 to August 9, 1968; at Station F263C-R, August 9, 1968 to date.

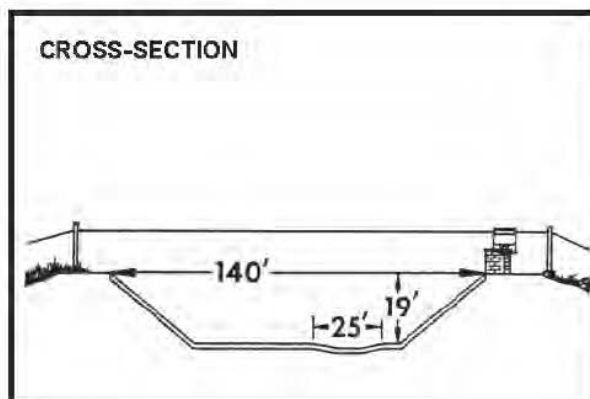
REMARKS

RUNOFF - STREAM GAGING STATION INFORMATION

SAN GABRIEL RIVER

above Spring Street

STATION NO. F42B-R



RECORDER continuous water stage.

METHOD OF MEASUREMENT wading or from cable car.

DRAINAGE AREA 231 square miles.

LOCATION 455 feet north of Spring Street, 4.0 miles east of Signal Hill, Long Beach.

REGULATION partially regulated by Cogswell, San Gabriel, Morris, Santa Fe, Big Dalton, San Dimas, Puddingstone Diversion, Puddingstone, Live Oak, Thompson Creek, and Whittier Narrows Dams, Several debris basins, MWD outlet, and several spreading grounds.

DIVERSION none.

CHANNEL concrete, trapezoidal section with low flow channel.

CONTROL channel forms control.

LENGTH OF RECORD at Station F42-R, February 6, 1928 to May 26, 1964; at Station F42B-R, November 16, 1964 to date.

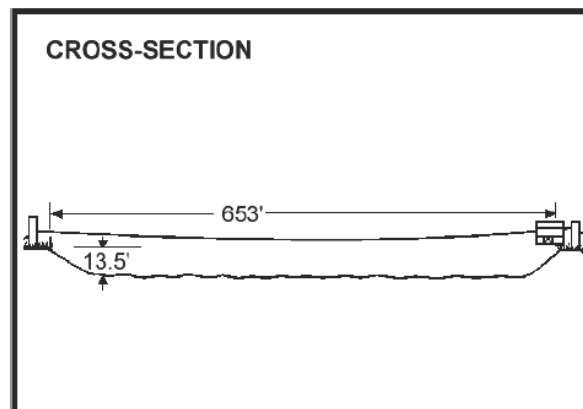
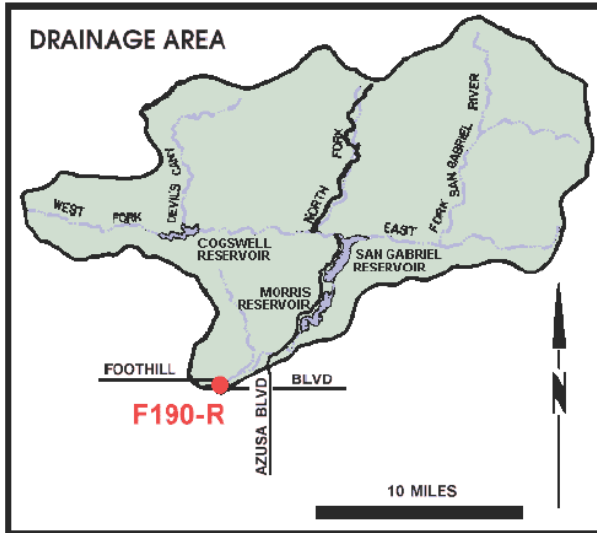
REMARKS high flows into Whittier Narrows Reservoir are partially diverted to the Rio Hondo.

RUNOFF - STREAM GAGING STATION INFORMATION

SAN GABRIEL RIVER

@ Foothill Blvd.

STATION NO. F190-R



RECORDER 5 min. interval data logger.

METHOD OF MEASUREMENT wading or from cable car.

DRAINAGE AREA 230 square miles.

LOCATION downstream side of Foothill Boulevard bridge, 2 miles west of Azusa.

REGULATION partially regulated by Cogswell, San Gabriel, and Morris Dams.

DIVERSION none.

CHANNEL sand, gravel and rock, trapezoidal section with soft bottom.

CONTROL gunited rock stabilizers.

LENGTH OF RECORD February 22, 1932 to date.

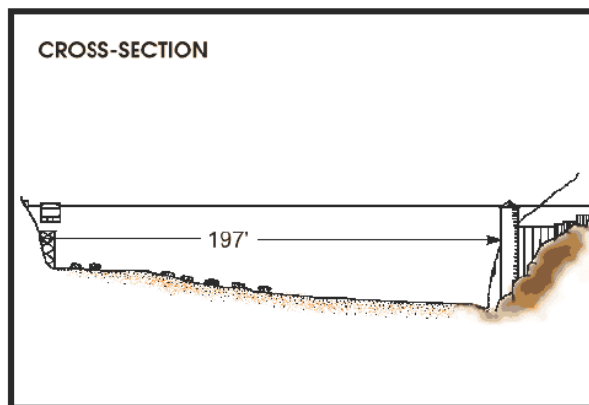
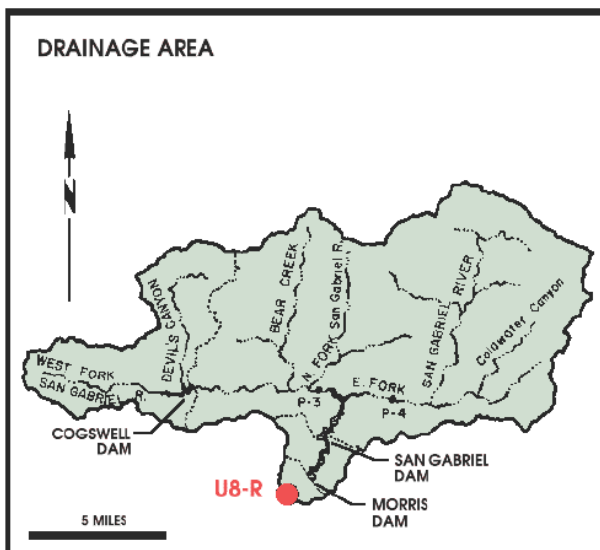
REMARKS flows may include imported originating at the Metropolitan Water District outlet below Morris Dam.

RUNOFF - STREAM GAGING STATION INFORMATION

SAN GABRIEL RIVER

below Morris Dam

STATION NO. U8-R



RECORDER 5 min. interval data logger.

METHOD OF MEASUREMENT wading or from cable car.

DRAINAGE AREA 212.4 square miles.

LOCATION 1.1 miles downstream of Morris Dam, 27 miles northeast of Azusa.

REGULATION all flows regulated by Cogswell Dam, 27 miles northeast of Azusa.

DIVERSION none.

CHANNEL gravel and boulder, natural section.

CONTROL concrete control.

LENGTH OF RECORD May 1894 to date.

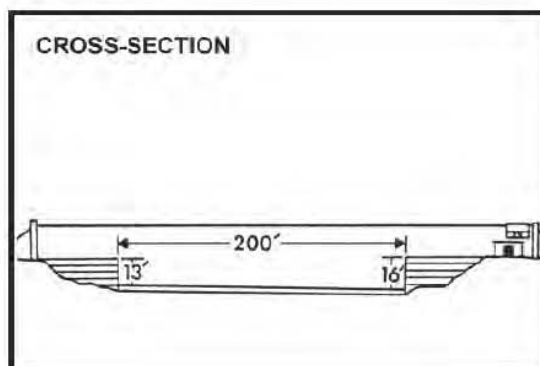
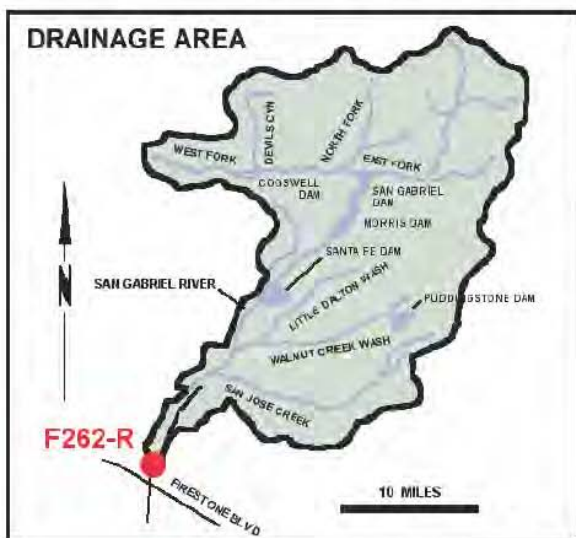
REMARKS flows up to 90 cfs are at times diverted past the station through the Azusa Conduit, flows at station may include imported water from the MWD outlet below Morris Dam.

RUNOFF - STREAM GAGING STATION INFORMATION

SAN GABRIEL RIVER

above Florence Avenue

STATION NO. F262C-R



RECORDER continuous water stage.

METHOD OF MEASUREMENT wading or from cable car.

DRAINAGE AREA 215.80 square miles.

LOCATION 1,400 feet above Florence Avenue, 2 miles east of Downey.

REGULATION partially regulated by Cogswell, San Gabriel, Morris, Santa Fe, Big Dalton, San Dimas, Puddingstone Diversion, Puddingstone, Live Oak, Thompson Creek, and Whittier Narrows Dams, Several debris basin, MWD outlets, and several spreading grounds.

DIVERSION none.

CHANNEL sand bottom with rip-rap slopes, trapezoidal section.

CONTROL concrete stabilizer.

LENGTH OF RECORD at Station F267-R, February 27, 1937 to September 30, 1967; at Station F262B-R, August 6, 1968 to date.

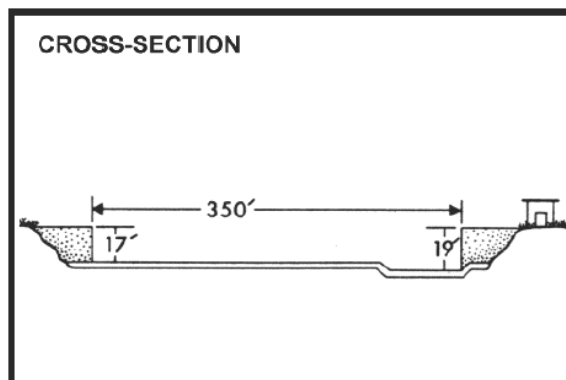
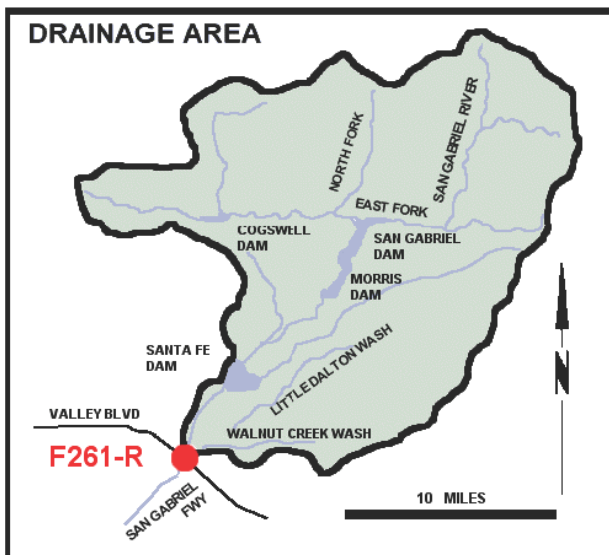
REMARKS no recording during 1967-1968 season due to channel construction.

RUNOFF - STREAM GAGING STATION INFORMATION

SAN GABRIEL RIVER

below Valley Blvd.

STATION NO. F261C-R



RECORDER continuous water stage.

METHOD OF MEASUREMENT wading.

DRAINAGE AREA 118.00 square miles.

LOCATION 1,150.0 feet below Valley Boulevard, 2.5 miles east of El Monte.

REGULATION partially regulated by Santa Fe, Big Dalton, Puddingstone Diversion, and Puddingstone Dams.

DIVERSION none.

CHANNEL sand and gravel bottom with rip-rap side slopes; trapezoidal section.

CONTROL concrete stabilizer with low-flow notch.

LENGTH OF RECORD at Station F261-R, March 11, 1937 to September 30, 1941; at Station F361B-R, October 1, 1941 to April 23, 1946; at Station F261C-R, November 29, 1960 to date.

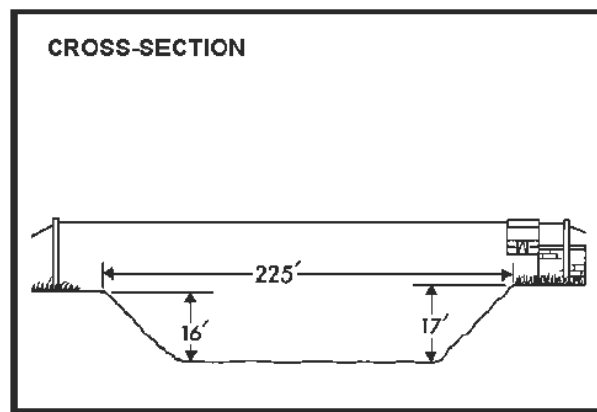
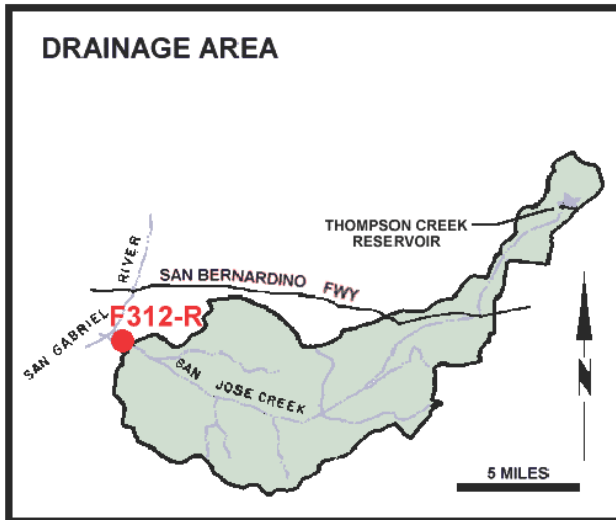
REMARKS flows may include imported water originating at Metropolitan Water District outlets at San Dimas Canyon and below San Bernardino Road.

RUNOFF - STREAM GAGING STATION INFORMATION

SAN JOSE CHANNEL

below Seventh Avenue

STATION NO. F312B-R



RECORDER 5 min. interval data logger.

METHOD OF MEASUREMENT wading or from cable car.

DRAINAGE AREA 83.4 square miles.

LOCATION 1,650 feet above Workman Mill Road, 3 miles southeast of El Monte.

REGULATION partially regulated by Thompson Creek Dam and Pomona Sewage Treatment Plant.

DIVERSION none.

CHANNEL grouted rip-rap side slopes with natural bottom, trapezoidal section.

CONTROL rock stabilizer.

LENGTH OF RECORD September 13, 1955 to date.

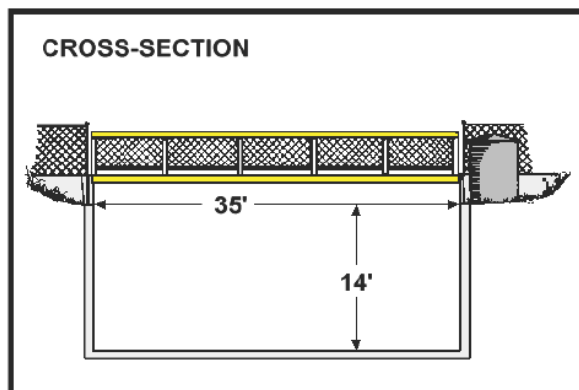
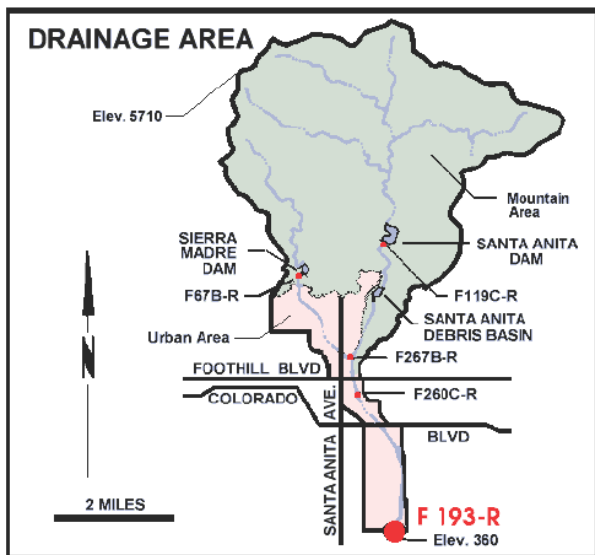
REMARKS

RUNOFF - STREAM GAGING STATION INFORMATION

SANTA ANITA WASH

@ Longden Avenue

STATION NO. F193B-R



RECORDER 5 min. interval data logger.

METHOD OF MEASUREMENT wading or from bridge.

DRAINAGE AREA 18.80 square miles.

LOCATION 30.0 feet above Longden Avenue, 1.5 miles south of Arcadia.

REGULATION regulated by Santa Anita and Sierra Madre Dams, and Santa Anita Debris Basin.

DIVERSION none.

CHANNEL concrete, rectangular section.

CONTROL channel forms control.

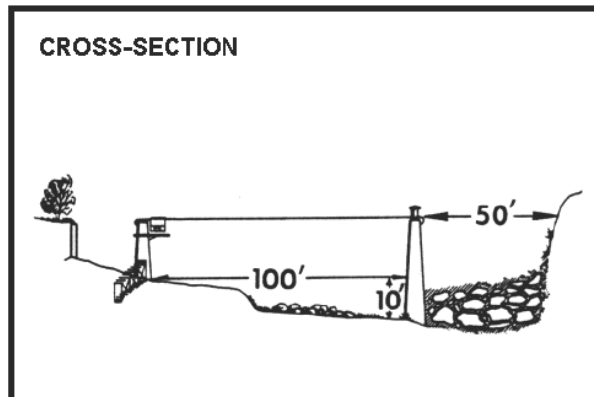
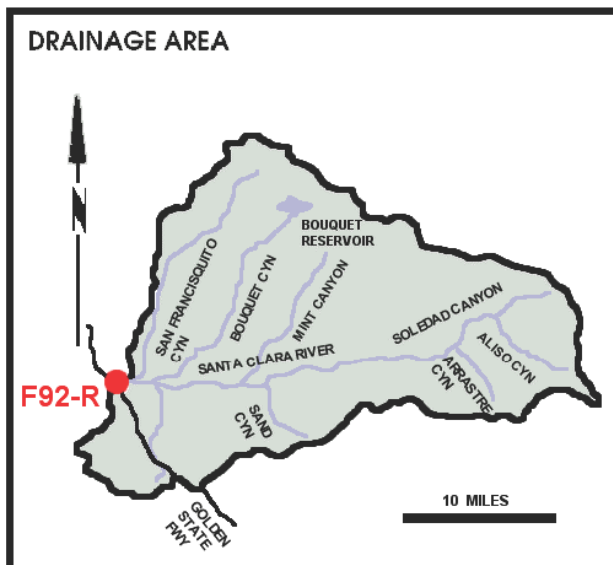
LENGTH OF RECORD at Station F193-R, April 25, 1932 to March 1, 1938; at Station F193B-R, January 5, 1960 to date.

RUNOFF - STREAM GAGING STATION INFORMATION

SANTA CLARA RIVER

@ Old Road Bridge

STATION NO. F92C-R



RECORDER continuous water stage.

METHOD OF MEASUREMENT wading or from cable car.

DRAINAGE AREA 410.40 square miles.

LOCATION downstream side of Old Highway bridge, 3 miles west of Saugus.

REGULATION partially regulated by Bouquet Canyon and Dry Canyon Reservoirs.

DIVERSION none.

CHANNEL sand and gravel with brush, natural section.

CONTROL none.

LENGTH OF RECORD at Station F92-R, January 18, 1930 to March 28, 1938, and September 24, 1956 to date; at Station F92B-R, October 1, 1938 to September 24, 1956.

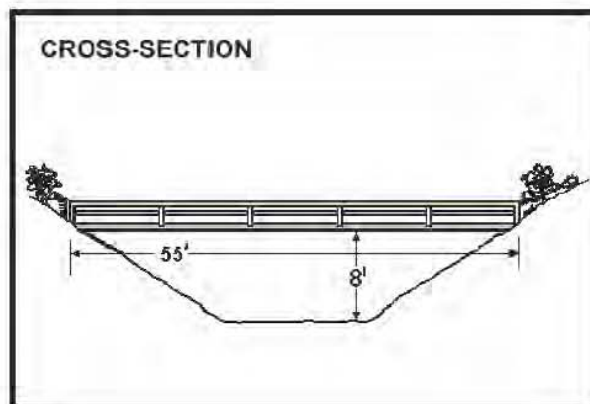
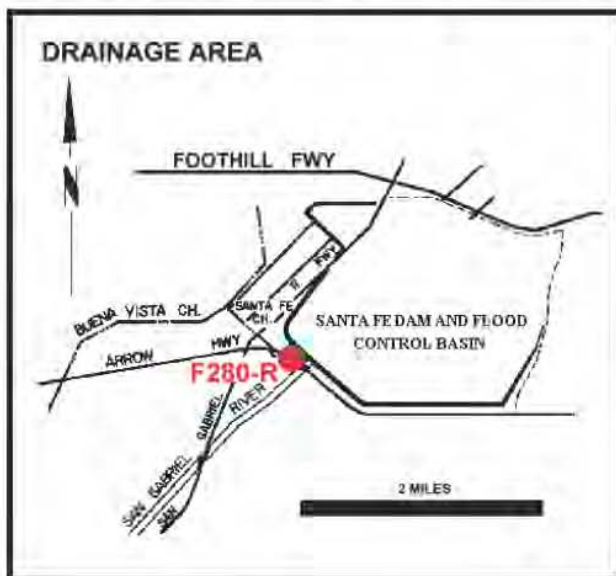
REMARKS subject to diversions for irrigation.

RUNOFF - STREAM GAGING STATION INFORMATION

SANTA FE DIVERSION CHANNEL

below Santa Fe Dam

STATION NO. F280-R



RECORDER 5 min. interval data logger.

METHOD OF MEASUREMENT wading or from footbridge.

DRAINAGE AREA Controlled square miles.

LOCATION 400 feet downstream of Santa Fe Dam outlet and 1.5 miles north of Baldwin Park.

REGULATION flow regulated by five gates of stilling basin outlet of Santa Fe Dam.

DIVERSION none.

CHANNEL sand and gravel, natural section.

CONTROL concrete stabilizer.

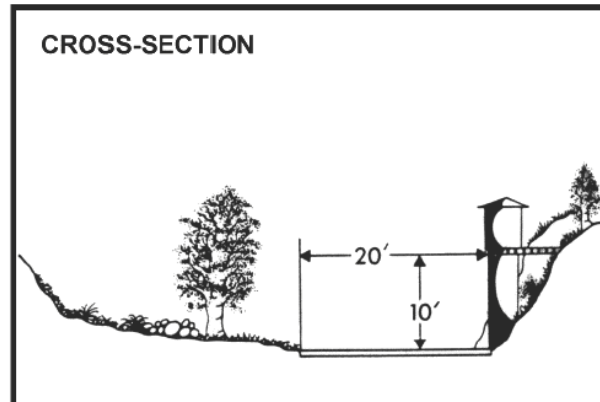
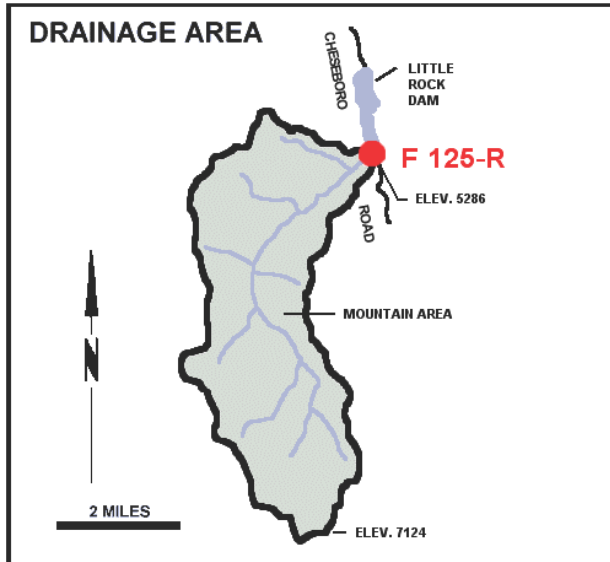
LENGTH OF RECORD at Station F280-S, October 1, 1942 to May 12, 1944; at Station F280-R, May 12, 1944 to date.

REMARKS

RUNOFF - STREAM GAGING STATION INFORMATION

SANTIAGO CREEK

above Little Rock Creek
STATION NO. F125-R



RECORDER continuous water stage.

METHOD OF MEASUREMENT wading.

DRAINAGE AREA 11.20 square miles.

LOCATION 1,000 feet above Little Creek and 4.5 miles south of Little Rock.

REGULATION none.

DIVERSION none.

CHANNEL sand, gravel and boulders.

CONTROL concrete and rubble wall.

LENGTH OF RECORD September 29, 1953 to date.

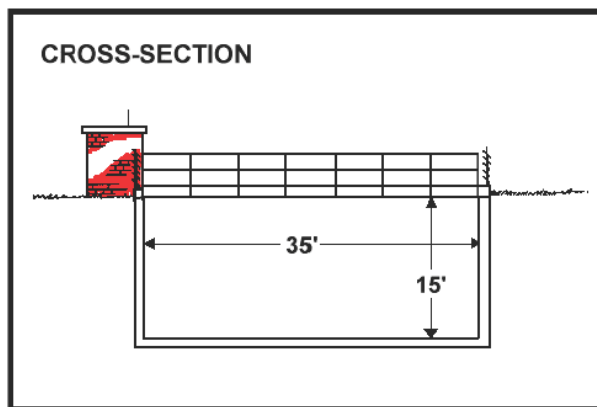
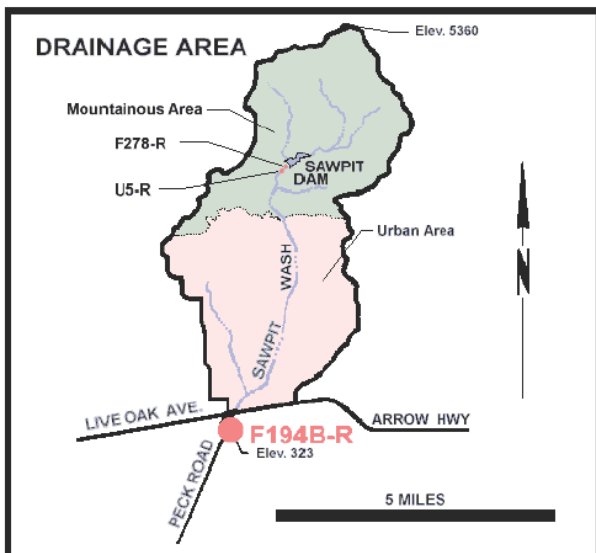
REMARKS no high flow measurements.

RUNOFF - STREAM GAGING STATION INFORMATION

SAWPIT WASH

below Live Oak Avenue

STATION NO. F194B-R



RECORDER 5 min. interval data logger.

METHOD OF MEASUREMENT wading from footbridge.

DRAINAGE AREA 16.10 square miles.

LOCATION 1,500 feet below Arrow Highway, 3.0 miles south of Monrovia.

REGULATION partially regulated by Sawpit and Santa Fe Dams, and several debris basins.

DIVERSION none.

CHANNEL concrete, rectangular section.

CONTROL channel forms control.

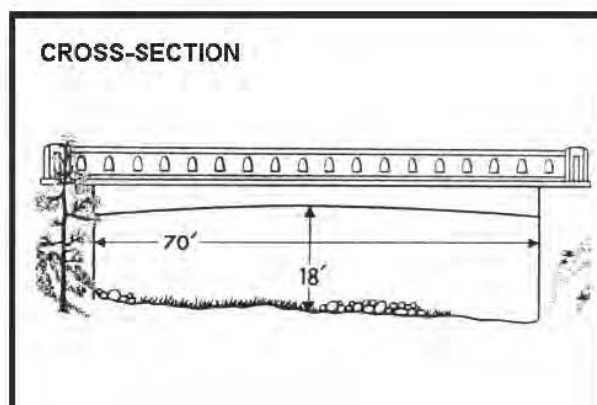
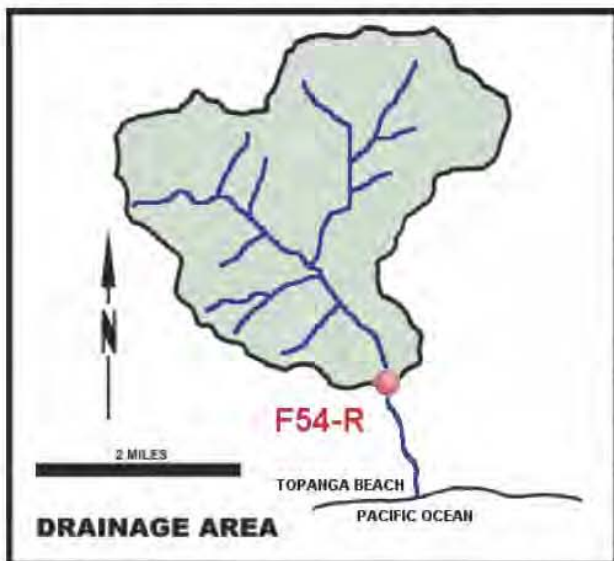
LENGTH OF RECORD at Station F194-R, February 22, 1932 to September 1, 1935; at Station F194B-R, December 5, 1960 to date.

RUNOFF - STREAM GAGING STATION INFORMATION

TOPANGA CREEK

above Mouth of Canyon

STATION NO. F54C-R



RECORDER continuous water stage.

METHOD OF MEASUREMENT wading.

DRAINAGE AREA 18.00 square miles.

LOCATION downstream side to Topanga Canyon Road bridge, 2.0 miles north of Topanga Beach.

REGULATION none.

DIVERSION none.

CHANNEL rock and gravel, natural section.

CONTROL none.

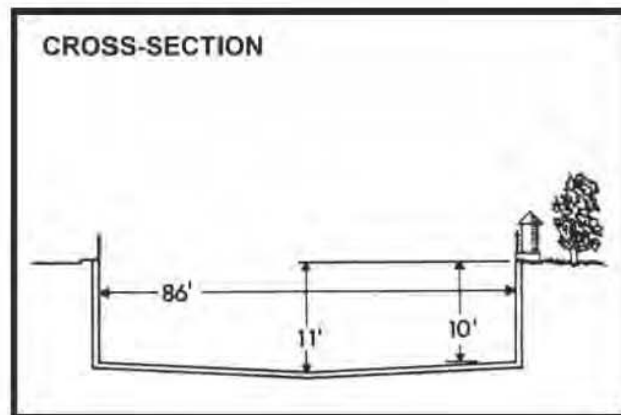
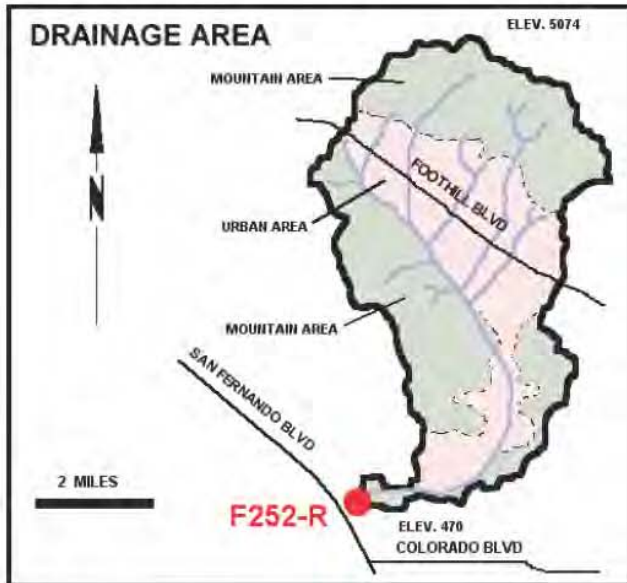
LENGTH OF RECORD at Station F54-R, January 1, 1930 to June 4, 1940; at Station F54B-R, June 5, 1940 to January 31, 1990; at Station 54C-R, October 1, 1997 to date.

RUNOFF - STREAM GAGING STATION INFORMATION

VERDUGO WASH

@ Estelle Avenue

STATION NO. F252-R



RECORDER continuous water stage.

METHOD OF MEASUREMENT wading or from Concord Street bridge.

DRAINAGE AREA 26.80 square miles.

LOCATION 800 feet east of San Fernando Road, 2.0 miles northwest of Glendale.

REGULATION partially regulated by several debris basins.

DIVERSION none.

CHANNEL concrete, rectangular section.

CONTROL channel forms control.

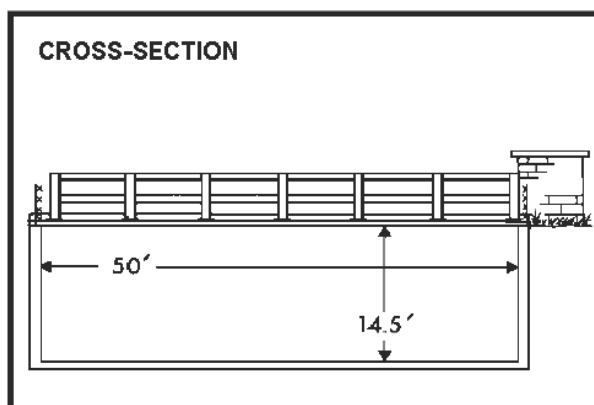
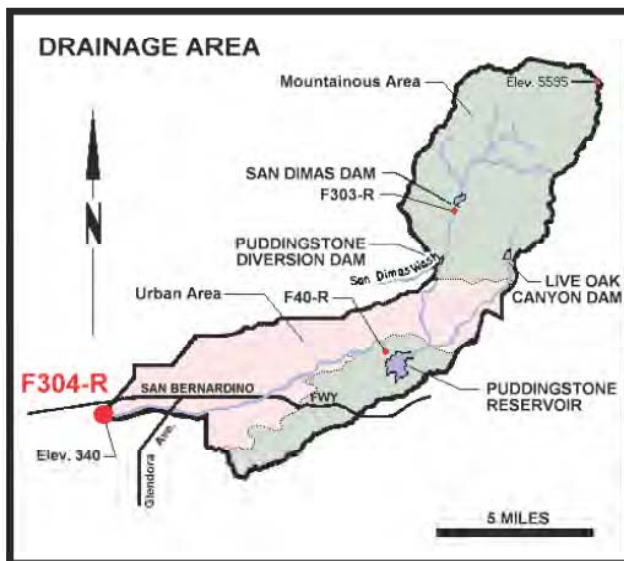
LENGTH OF RECORD December 2, 1935 to date.

RUNOFF - STREAM GAGING STATION INFORMATION

WALNUT CREEK

above Puente Avenue

STATION NO. F304-R



RECORDER 5 min. interval data logger.

METHOD OF MEASUREMENT wading or from footbridge.

DRAINAGE AREA 57.60 square miles.

LOCATION 845.0 feet upstream of Puente Avenue bridge, Baldwin park.

REGULATION partially regulated by San Dimas, Puddingstone Diversion, Puddingstone, and Live Oak Dams.

DIVERSION none.

CHANNEL concrete, rectangular section.

CONTROL channel forms control.

LENGTH OF RECORD October 14, 1952 to April 11, 1961, January 3, 1962 to date.

REMARKS no record during April 11, 1961 to January 3, 1962 due to channel construction.

APPENDIX C

HYDROLOGIC REPORT 2004 – 2005

RUNOFF – DAILY DISCHARGE

RUNOFF - DAILY DISCHARGE

Los Angeles County Dept of Public Works

USDAY V43 Output 06/14/2006

Summary Report

Site: F81D Alhambra Wash Near Klingerman Street
 USGS #:
 Beginning Date: 10/01/2004
 Ending Date: 09/30/2005

Daily Mean Discharge in Cubic feet/second Water Year Oct 2004 to Sep 2005

Day	OCT	NOV	DEC	JAN	FEB	MAR	APR	MAY	JUN	JUL	AUG	SEP
1	1.2	.52	.30	9.0	.75	1.2	4.5	.67	1.3	2.3	1.0	.35
2	1.1	.82	.29	178	.85	7.4	4.7	.72	1.2	2.6	.90	.33
3	1.2	.40	.23	174	.72	.19	4.7	.76	1.0	2.5	.91	.32
4	1.2	.42	.19	42	.84	89	4.7	1.4	1.0	2.5	.95	.34
5	1.2	.36	.42	8.7	.84	4.3	5.7	.11	1.0	2.1	1.1	.39
6	1.3	.36	1.0	4.3	9.8	2.5	9.6	8.8	1.0	2.9	.94	.43
7	1.3	.36	.22	342	1.6	2.2	7.6	.93	1.0	2.6	.92	.40
8	1.3	.36	.29	524	1.0	1.1	.11	.67	1.0	2.5	1.1	.39
9	1.5	.36	.15	982	.93	1.0	.11	.78	1.0	2.6	1.4	.35
10	1.4	.57	.13	696	1.4	1.0	.11	.83	1.0	2.4	1.5	.32
11	1.6	.36	.12	137	436	1.1	9.6	.74	1.1	2.6	1.1	.32
12	1.7	.36	.11	7.0	.56	.92	7.4	.73	1.0	2.8	1.0	.32
13	1.9	.37	.13	3.1	1.6	1.1	1.6	.84	1.1	2.7	.88	.85
14	1.9	.36	.10	2.0	.98	1.1	1.1	.84	1.2	2.7	.84	1.3
15	2.0	.62	.08	1.8	.85	.82	1.0	.84	1.2	3.0	2.0	1.3
16	12	.43	.08	1.5	.84	.79	1.0	1.0	1.2	1.4	.87	1.4
17	99	.44	.08	1.5	.48	.76	1.0	1.0	1.4	1.0	.79	1.4
18	70	.36	.04	1.5	152	.22	1.0	1.0	1.3	1.3	.76	1.5
19	214	.39	.05	1.5	754	3.5	1.0	.99	1.0	1.4	.81	1.5
20	513	.35	.07	1.4	439	4.3	1.0	1.0	1.3	2.0	1.0	.25
21	4.7	.54	.10	1.3	519	1.0	1.0	1.0	1.3	1.7	1.1	4.1
22	.38	.58	.11	1.2	222	229	1.1	1.0	1.4	1.0	1.0	2.0
23	.32	.40	.17	1.2	130	6.9	1.0	1.0	1.6	1.0	1.2	1.5
24	.31	.38	.30	1.2	2.8	.70	1.4	1.2	1.6	.92	1.3	1.2
25	.33	.36	.57	1.0	1.5	.45	1.6	1.2	1.6	.91	1.3	1.2
26	222	.36	1.2	.63	1.0	.39	1.5	1.0	1.5	.95	1.4	1.2
27	150	.40	.28	1.8	.84	.36	1.5	1.0	1.5	1.3	1.4	1.2
28	5.8	7.9	850	.40	.98	3.2	146	1.1	1.7	.96	1.5	1.2
29	.50	3.3	362	1.7	-----	.47	1.3	1.0	1.9	.88	1.6	1.2
30	.51	1.5	.17	.74	-----	.39	.69	.93	2.2	.90	1.6	1.2
31	.54	-----	284	.68	-----	1.7	-----	1.1	-----	1.0	1.4	-----
Total	1315.19	152.00	1589.11	3232.12	2786.12	409.65	257.29	47.07	38.6	57.42	35.57	54.51
Mean	42.4	5.07	51.3	104	99.5	13.2	8.58	1.52	1.29	1.85	1.15	1.82
Max	513	54	850	982	754	229	146	11	2.2	3.0	2.0	.25
Min	.31	.36	.04	.68	.72	.36	.69	.67	1.0	.88	.76	.32
Acre-Ft	2610	301	3150	6410	5530	813	510	93	77	114	71	108
Wtr Year 2005	Total	9974.65	Mean	27.3	Max	982	Min	.04	Acre-Ft	19780		
Cal Year 2004	Total	6193.01	Mean	16.9	Max	850	Min	.04	Acre-Ft	12280		

RUNOFF - DAILY DISCHARGE

Los Angeles County Dept of Public Works

USDAY V43 Output 06/14/2006

Summary Report

Site: F317 Arcadia Wash Below Grand Avenue
 USGS #:
 Beginning Date: 10/01/2004
 Ending Date: 09/30/2005

Daily Mean Discharge in Cubic feet/second Water Year Oct 2004 to Sep 2005

Day	OCT	NOV	DEC	JAN	FEB	MAR	APR	MAY	JUN	JUL	AUG	SEP
1	1.3	.35	.31	.91	2.8	5.6	1.1	.65	.65	1.0	.61	.92
2	1.2	.35	.34	.58	.94	14	.99	.68	.65	1.0	.55	.88
3	1.1	.34	.40	120	1.1	17	.98	.66	.62	.95	.57	.89
4	1.1	.51	.36	18	.92	83	1.1	.66	.63	.94	.67	.85
5	1.0	.50	.51	.94	.89	4.4	1.0	.16	.71	.73	.62	1.3
6	1.4	.40	.70	.69	11	3.8	1.1	4.4	.62	.67	.64	1.8
7	1.5	.38	.61	133	3.0	3.1	.94	.70	.59	.78	.59	1.1
8	1.5	5.8	1.2	331	1.2	3.8	.99	.85	.62	1.2	.56	1.6
9	1.3	.57	.60	558	.92	2.4	.83	.69	.67	.95	.62	1.0
10	1.3	.66	.59	414	2.0	2.3	.80	.70	.67	.92	.61	.96
11	1.2	.61	.58	131	259	2.3	.85	.70	.66	1.1	.61	.98
12	1.1	.58	.58	41	44	2.0	.80	.66	.70	.90	.58	.98
13	1.2	.56	.61	24	1.1	2.7	.81	.70	.67	1.1	.61	.93
14	1.1	.57	.60	21	.91	1.9	.78	.68	.61	.75	.65	1.0
15	1.1	.61	.57	20	.86	1.8	.74	.68	.62	.75	.79	.99
16	14	.59	.61	18	.86	1.8	.75	.80	.63	.91	.87	.96
17	94	.57	.59	17	41	1.8	.76	.72	.63	.96	1.1	.95
18	48	.57	.64	16	146	38	.77	.72	.62	.96	.97	.91
19	77	.57	.63	16	351	6.8	3.5	.68	.57	.82	.90	1.2
20	303	.31	.62	16	193	7.9	.73	.72	.77	.73	.88	30
21	1.1	.38	.61	15	264	1.2	.75	.63	.73	.74	.89	1.1
22	.63	.71	.61	15	256	.89	.76	.63	.63	.74	.92	.81
23	.48	.67	.59	15	94	5.6	.76	.66	.67	.86	1.0	.78
24	.53	.68	.60	15	18	1.5	1.2	.70	.67	.84	.88	.82
25	.54	.62	.57	15	14	1.2	.75	.63	.60	.79	.99	.76
26	118	.50	.58	37	11	1.2	.84	.62	.62	.70	.92	.90
27	87	.52	.22	31	7.9	1.1	.75	.70	.65	.67	1.0	.85
28	3.2	1.1	288	46	6.5	2.1	.80	.65	.62	.61	.98	.94
29	.49	.33	218	1.7	-----	.99	.72	.65	.72	.58	1.1	.83
30	.38	.29	1.2	1.5	-----	.92	.66	.66	.68	.68	1.0	.83
31	.33	-----	.98	1.4	-----	.88	-----	.78	-----	.75	.96	-----
Total	767.08	140.99	692.90	2148.14	1733.90	312.09	107.51	40.36	19.50	26.08	24.64	58.82
Mean	24.7	4.70	22.4	69.3	61.9	10.1	3.58	1.30	.65	.84	.79	1.96
Max	303	52	288	558	351	89	80	16	.77	1.2	1.1	30
Min	.33	.29	.31	.69	.86	.88	.66	.62	.57	.58	.55	.76
Acre-Ft	1520	280	1370	4260	3440	619	213	80	39	52	49	117
Wtr Year 2005	Total	6072.01	Mean	16.6	Max	558	Min	.29	Acre-Ft	12040		
Cal Year 2004	Total	2880.60	Mean	7.87	Max	320	Min	.29	Acre-Ft	5710		

RUNOFF - DAILY DISCHARGE

Los Angeles County Dept of Public Works

USDAY V43 Output 06/14/2006

Summary Report

Site: F277 Arroyo Seco Below Devil's Gate Dam
 USGS #:
 Beginning Date: 10/01/2004
 Ending Date: 09/30/2005

Daily Mean Discharge in Cubic feet/second Water Year Oct 2004 to Sep 2005

Day	OCT	NOV	DEC	JAN	FEB	MAR	APR	MAY	JUN	JUL	AUG	SEP
1	1.3	.93	1.8	164	64	557	8.7	60	10	30	26	13
2	1.2	.92	2.0	139	44	551	8.5	60	10	26	22	13
3	1.3	1.1	2.2	377	36	637	8.5	60	10	25	22	11
4	1.2	1.1	2.3	171	131	750	8.3	60	10	27	22	10
5	1.2	1.0	2.5	74	33	540	8.3	60	10	24	25	9.7
6	1.4	1.2	2.5	385	30	500	8.3	45	10	26	27	11
7	1.3	1.2	2.6	804	31	473	8.3	45	10	29	24	9.9
8	1.2	1.4	2.8	1010	15	457	8.3	30	10	27	21	9.6
9	1.1	1.5	2.7	8150	72	464	8.3	30	10	27	23	8.4
10	1.1	1.5	2.8	8280	44	385	8.3	30	10	31	20	8.7
11	1.1	1.7	2.9	5140	401	360	8.3	30	10	37	19	9.3
12	1.4	1.6	2.9	1220	662	373	8.3	30	10	40	17	8.8
13	1.6	1.8	3.1	1020	168	297	8.3	30	10	52	16	8.9
14	1.2	1.7	3.0	826	83	306	8.3	30	10	39	14	8.8
15	1.2	1.8	3.0	611	96	201	8.3	30	10	38	14	9.0
16	.94	1.9	2.9	347	87	180	8.3	30	27	55	14	9.1
17	.99	2.0	2.9	292	139	169	8.3	30	21	59	13	9.0
18	65	2.1	2.8	247	399	212	8.3	10	30	57	12	9.0
19	154	2.2	2.9	198	915	185	8.3	10	32	72	12	9.4
20	821	2.6	3.0	201	1820	194	8.3	10	36	51	13	43
21	230	2.1	3.2	200	3090	186	8.3	10	42	68	13	10
22	1.4	2.0	2.9	196	1960	387	8.3	10	36	66	13	10
23	1.2	2.0	2.6	191	1640	325	8.3	10	30	57	13	10
24	1.3	2.2	2.6	186	1600	138	8.3	10	26	41	12	9.0
25	1.3	2.2	2.7	183	1420	148	186	10	21	74	14	8.3
26	239	2.4	2.9	185	1050	155	60	10	21	34	15	9.0
27	.98	2.5	3.4	171	888	166	60	10	21	36	15	9.2
28	1.1	2.1	.13	130	790	153	60	10	27	33	17	8.8
29	.99	1.8	1820	104	-----	152	60	10	25	34	16	9.2
30	.99	1.8	413	79	-----	125	60	10	28	28	16	9.5
31	1.0	-----	381	68	-----	69	-----	10	-----	29	14	-----
Total	1735.02	52.35	2700.9	31349	17708	9795	686.0	830	573	1272	534	321.6
Mean	56.0	1.75	87.1	1011	632	316	22.9	26.8	19.1	41.0	17.2	10.7
Max	821	2.6	1820	8280	3090	750	186	60	42	74	27	43
Min	.94	.92	1.8	68	15	69	8.3	10	10	24	12	8.3
Acre-Ft	3440	104	5360	62180	35120	19430	1360	1650	1140	2520	1060	638
Wtr Year 2005	Total	67556.87	Mean	185	Max	8280	Min	.92	Acre-Ft	134000		
Cal Year 2004	Total	4552.47	Mean	35.6	Max	1820	Min	.92	Acre-Ft	9030		

RUNOFF - DAILY DISCHARGE

Los Angeles County Dept of Public Works

USDAY V43 Output 06/14/2006

Summary Report

Site: F220B San Gabriel - Azusa Conduit 10 Ft. Weir Below S.G. Dam
 USGS #:
 Beginning Date: 10/01/2004
 Ending Date: 09/30/2005

Daily Mean Discharge in Cubic feet/second Water Year Oct 2004 to Sep 2005

Day	OCT	NOV	DEC	JAN	FEB	MAR	APR	MAY	JUN	JUL	AUG	SEP
1	0	0	0	0	23	24	33	56	0	0	0	0
2	0	0	0	0	22	24	33	56	0	0	0	0
3	0	0	0	0	23	25	33	56	0	0	0	0
4	0	3.7	0	0	23	24	39	56	0	0	0	0
5	0	0	0	0	23	24	44	54	0	0	0	0
6	0	0	0	0	23	24	45	54	0	0	0	0
7	0	0	0	0	23	24	44	53	0	0	0	0
8	0	0	0	0	23	21	44	54	0	0	0	0
9	0	0	0	0	23	29	44	54	0	0	0	0
10	0	0	0	0	23	39	45	54	0	0	0	0
11	0	0	0	0	22	40	44	55	0	0	0	0
12	0	0	.31	0	22	41	45	55	0	0	0	0
13	0	0	.36	0	22	40	49	55	0	0	0	0
14	0	0	.20	0	22	40	55	55	0	0	0	0
15	0	0	0	0	22	40	55	55	0	0	0	0
16	0	0	0	0	22	41	55	57	0	0	0	0
17	0	0	0	0	21	41	55	57	0	0	0	0
18	0	0	0	0	21	32	54	56	0	0	0	0
19	0	0	0	2.0	21	26	54	17	0	0	0	0
20	0	0	0	11	12	25	54	0	0	0	0	0
21	0	0	0	25	11	21	55	0	0	0	0	0
22	0	0	0	25	5.4	20	55	0	0	0	0	0
23	0	0	0	24	.63	20	49	0	0	0	0	0
24	0	0	0	24	.63	20	56	0	0	0	0	0
25	0	0	0	24	14	29	52	0	0	0	0	0
26	0	0	0	22	25	33	49	0	0	0	0	0
27	0	0	0	21	25	33	54	0	0	0	0	0
28	0	0	0	21	24	33	49	0	0	0	0	0
29	0	0	0	21	-----	33	50	0	0	0	0	0
30	0	0	0	22	-----	11	56	0	0	0	0	0
31	0	-----	0	23	-----	19	-----	0	-----	0	-----	0
Total	0	3.7	0.87	265.0	541.66	896	1449	1009	0	0	0	0
Mean	0	.12	.028	8.55	19.3	28.9	48.3	32.5	0	0	0	0
Max	0	3.7	.36	25	25	41	56	57	0	0	0	0
Min	0	0	0	0	.63	11	33	0	0	0	0	0
Acre-Ft	0	7.3	1.7	526	1070	1780	2870	2000	0	0	0	0
Wtr Year 2005	Total	4165.23	Mean	11.4	Max	57	Min	0	Acre-Ft	8260		
Cal Year 2004	Total	5065.31	Mean	13.8	Max	38	Min	0	Acre-Ft	10050		

RUNOFF - DAILY DISCHARGE

Los Angeles County Dept of Public Works

USDAY V43 Output 06/14/2006

Summary Report

Site: F250 San Gabriel River - Azusa Cond. 25 Ft. Weir Below Dam
 USGS #:
 Beginning Date: 10/01/2004
 Ending Date: 09/30/2005

Daily Mean Discharge in Cubic feet/second Water Year Oct 2004 to Sep 2005

Day	OCT	NOV	DEC	JAN	FEB	MAR	APR	MAY	JUN	JUL	AUG	SEP
1	12	77	71	0	69	69	33	78	0	0	0	0
2	11	79	72	0	67	65	33	78	0	0	0	0
3	12	83	70	0	69	32	32	71	0	0	0	0
4	12	81	67	0	70	32	53	70	0	0	0	0
5	11	80	65	27	72	31	63	63	0	0	0	0
6	11	80	67	77	76	31	66	55	0	0	0	0
7	11	80	70	79	72	33	72	68	0	0	0	0
8	11	82	72	29	77	27	71	79	0	0	0	0
9	11	81	71	0	79	36	70	80	0	0	0	0
10	11	78	70	0	79	42	70	78	0	0	0	0
11	11	74	69	0	51	41	71	73	0	0	0	0
12	11	73	79	0	34	41	73	73	0	0	0	0
13	11	73	81	0	34	40	72	75	0	0	0	0
14	11	76	80	23	34	39	73	72	0	0	0	0
15	11	74	79	57	34	39	73	69	0	0	0	0
16	11	70	28	61	34	38	74	72	0	0	0	0
17	11	76	0	65	34	37	73	70	0	0	0	0
18	11	72	0	68	34	29	74	69	0	0	0	0
19	41	73	0	67	32	22	69	20	0	0	0	0
20	54	71	0	69	20	21	66	0	0	0	0	0
21	50	69	0	72	20	19	67	0	0	0	0	0
22	49	75	0	74	16	19	61	0	0	0	0	0
23	50	78	0	72	18	19	49	0	0	0	0	0
24	48	80	0	70	23	22	56	0	0	0	0	0
25	63	79	0	67	26	27	56	0	0	0	0	0
26	75	77	0	67	29	29	54	0	0	0	0	0
27	74	76	0	65	28	29	60	0	0	0	0	0
28	69	74	0	49	54	31	55	0	0	0	0	0
29	72	74	0	22	-----	31	64	0	0	0	0	0
30	76	74	0	50	-----	32	74	0	0	0	0	0
31	76	-----	0	69	-----	32	-----	0	-----	0	-----	-----
Total	998	2289	1111	1299	1285	1035	1877	1313	0	0	0	0
Mean	32.2	76.3	35.8	41.9	45.9	33.4	62.6	42.4	0	0	0	0
Max	76	83	81	79	79	69	74	80	0	0	0	0
Min	11	69	0	0	16	19	32	0	0	0	0	0
Acre-Ft	1980	4540	2200	2580	2550	2050	3720	2600	0	0	0	0
Wtr Year 2005	Total	11207	Mean	30.7	Max	83	Min	0	Acre-Ft	22230		
Cal Year 2004	Total	11750.63	Mean	32.1	Max	84	Min	0	Acre-Ft	23310		

RUNOFF - DAILY DISCHARGE

Los Angeles County Dept of Public Works

USDAY V43 Output 06/14/2006

Summary Report

Site: F38C Ballona Creek Above Sawtelle Boulevard
 USGS #:
 Beginning Date: 10/01/2004
 Ending Date: 09/30/2005

Daily Mean Discharge in Cubic feet/second Water Year Oct 2004 to Sep 2005

Day	OCT	NOV	DEC	JAN	FEB	MAR	APR	MAY	JUN	JUL	AUG	SEP
1	16	16	22	43	69	112	55	33	40	59	55	37
2	16	16	20	818	47	135	53	34	40	54	49	41
3	16	16	23	1610	47	137	54	34	41	52	47	37
4	16	16	24	262	47	443	56	34	40	53	48	41
5	18	16	577	44	47	102	59	59	42	52	56	39
6	21	17	38	32	78	97	60	37	47	47	84	42
7	18	17	24	2010	48	86	59	33	48	40	82	41
8	16	19	74	1640	48	72	56	34	49	38	67	41
9	17	16	29	4390	47	69	53	131	49	37	47	43
10	17	17	31	2660	45	69	52	37	51	39	41	42
11	18	17	33	825	2370	68	54	35	52	41	38	44
12	18	17	36	137	357	66	55	34	53	41	39	46
13	18	18	38	100	50	64	59	34	61	40	38	51
14	17	18	41	79	50	68	63	30	58	41	38	43
15	20	18	44	66	44	67	69	30	59	43	37	43
16	36	18	46	61	40	73	97	32	60	44	36	46
17	573	21	49	55	447	76	84	32	62	48	42	42
18	109	20	51	57	732	160	94	34	60	52	47	40
19	756	21	54	61	3360	89	101	33	63	61	47	42
20	1810	19	56	59	3240	64	107	39	61	54	46	207
21	22	101	54	58	3370	60	117	40	58	55	44	35
22	21	17	56	58	1500	1530	126	41	60	54	45	33
23	20	17	59	55	803	107	134	47	61	52	46	33
24	18	17	61	58	191	58	158	43	64	55	44	33
25	21	19	68	69	159	54	158	35	61	54	43	34
26	890	19	88	127	140	51	165	35	62	52	46	37
27	934	155	505	89	123	50	173	36	63	54	48	35
28	24	28	5230	459	117	81	1230	37	57	54	42	35
29	17	19	2210	78	-----	55	38	37	57	56	43	35
30	17	18	53	73	-----	51	37	37	59	56	41	35
31	16	-----	1460	73	-----	52	-----	39	-----	53	44	-----
Total	5546	763	11154	16206	17616	4266	3676	1226	1638	1531	1470	1353
Mean	179	25.4	360	523	629	138	123	39.5	54.6	49.4	47.4	45.1
Max	1810	155	5230	4390	3370	1530	1230	131	64	61	84	207
Min	16	16	20	32	40	50	37	30	40	37	36	33
Acre-Ft	11000	1510	22120	32140	34940	8460	7290	2430	3250	3040	2920	2680
Wtr Year 2005	Total	66445	Mean	182	Max	5230	Min	16	Acre-Ft	131800		
Cal Year 2004	Total	31613.9	Mean	86.4	Max	5230	Min	8.2	Acre-Ft	62710		

RUNOFF - DAILY DISCHARGE

Los Angeles County Dept of Public Works

USDAY V43 Output 06/14/2006

Summary Report

Site: F120B Big Dalton Creek Below Big Dalton Dam
 USGS #:
 Beginning Date: 10/01/2004
 Ending Date: 09/30/2005

Daily Mean Discharge in Cubic feet/second Water Year Oct 2004 to Sep 2005

Day	OCT	NOV	DEC	JAN	FEB	MAR	APR	MAY	JUN	JUL	AUG	SEP
1	.60	1.3	.79	.80	8.2	34	4.2	5.1	1.4	1.3	8.6	2.9
2	.60	5.0	.78	.69	8.1	32	4.6	5.3	1.4	1.3	8.6	.74
3	.74	6.6	.70	.79	8.0	17	5.4	5.3	1.4	1.3	8.6	.70
4	.81	2.6	.71	.68	7.9	1.6	4.9	5.6	1.5	1.3	8.6	.68
5	.88	2.3	.75	.69	7.8	9.2	4.3	8.1	1.4	1.3	8.5	.60
6	.84	2.1	.70	.73	7.8	31	4.1	12	1.5	1.2	8.5	.60
7	.84	2.0	.70	.86	7.7	21	4.0	5.7	1.6	1.1	8.7	.60
8	.73	1.9	.60	4.9	7.7	18	3.9	5.4	1.5	1.0	8.9	.60
9	.70	1.7	.47	393	7.6	8.5	3.9	5.4	1.5	1.4	9.1	.60
10	.69	1.7	.48	327	7.5	2.2	4.2	5.3	1.5	1.2	9.3	.60
11	.60	1.6	.48	467	9.0	1.0	3.6	4.8	1.5	1.3	9.5	.60
12	.60	1.5	.47	51	14	1.0	3.7	4.9	1.4	1.5	9.6	.60
13	.60	1.5	.24	51	30	1.1	3.7	5.0	1.4	1.5	9.7	.60
14	.60	1.4	.07	37	39	1.1	4.0	5.3	1.4	3.1	9.8	.60
15	.53	1.3	.07	24	39	1.0	4.2	5.3	1.4	5.5	9.8	.60
16	.50	1.3	.06	21	22	1.0	4.4	5.5	1.3	5.3	9.7	.60
17	.96	1.2	.06	20	9.5	1.0	4.7	5.3	1.3	5.3	9.4	.60
18	.87	1.2	.06	19	11	1.0	5.2	5.9	1.3	5.3	8.9	.60
19	1.1	1.2	.06	18	18	1.0	5.2	5.1	1.3	4.6	8.4	.60
20	2.6	1.3	.06	14	67	.97	4.8	4.6	1.3	5.7	8.0	.68
21	1.1	1.3	.06	9.5	140	.91	5.0	23	1.3	6.1	7.6	.70
22	1.0	1.2	.06	9.4	172	1.1	5.0	33	1.3	4.5	7.4	.64
23	.98	1.2	.06	9.3	135	.95	5.0	32	1.3	3.8	7.3	.60
24	.90	1.1	.06	9.3	67	.90	5.6	10	1.3	3.8	7.4	.60
25	.90	.81	.06	9.1	51	2.7	5.8	1.2	1.3	8.9	7.3	.60
26	1.2	.80	.07	9.0	39	6.2	4.9	1.2	1.4	9.9	7.2	.60
27	2.2	.77	.06	9.0	39	5.9	5.1	1.2	1.4	9.2	7.1	.60
28	1.8	.72	.58	8.9	39	6.2	7.2	1.3	1.4	9.1	7.0	.58
29	1.7	.62	1.6	8.8	-----	5.4	5.3	1.3	1.5	9.0	6.9	.53
30	1.5	.71	.76	8.7	-----	5.3	5.0	1.4	1.5	9.0	6.6	.46
31	1.4	-----	.96	8.4	-----	4.8	-----	1.4	-----	8.8	6.5	-----
Total	31.07	49.93	12.64	1551.54	1018.8	225.03	140.9	221.9	42.0	133.6	258.5	20.61
Mean	1.00	1.66	.41	50.0	36.4	7.26	4.70	7.16	1.40	4.31	8.34	.69
Max	2.6	6.6	1.6	467	172	34	7.2	33	1.6	9.9	9.8	2.9
Min	.50	.62	.06	.68	7.5	.90	3.6	1.2	1.3	1.0	6.5	.46
Acre-Ft	62	99	25	3080	2020	446	279	440	83	265	513	41
Wtr Year 2005	Total	3706.52	Mean	10.2	Max	467	Min	.06	Acre-Ft	7350		
Cal Year 2004	Total	362.79	Mean	.99	Max	16	Min	0	Acre-Ft	720		

RUNOFF - DAILY DISCHARGE

Los Angeles County Dept of Public Works

USDAY V43 Output 06/14/2006

Summary Report

Site: F394 Big Rock Creek Upstream from Pallett Creek
 USGS #:
 Beginning Date: 10/01/2004
 Ending Date: 09/30/2005

Daily Mean Discharge in Cubic feet/second Water Year Oct 2004 to Sep 2005

Day	OCT	NOV	DEC	JAN	FEB	MAR	APR	MAY	JUN	JUL	AUG	SEP
1		4.0*	9.7	50*	194	170*	94	89	106	39*	25	18
2	2.2	3.8*	9.7	40*	170*	165*	92	98	106	39*	25	16
3	2.2	3.7*	9.8	32*	140*	153	91	106	102	38*	24	14
4	2.2	3.8	9.9	30*	125*	147	95	114	98	38*	24	14
5	2.2	3.8	11	29	110*	153	91	120	95	38*	32	14
6	2.2	3.8	10	29	100*	147	88	132	91	39*	39	14
7	2.2	4.2	9.0	85	85*	140	96	113	87	38	36	14
8	2.2	4.2	9.0	404	84*	143	97	109	78	33	29	13
9	2.0	4.2	9.0	1500*	82*	145	93	111	73	26	25	12
10	2.0	4.2	8.8	1600*	80*	148	83	103	69	26	24	12
11	2.2	4.2	9.0	1300*	383	150	78	90	65	26	23	12
12	2.2	4.2	9.1	615*	291	157	80	84	59	26	22	12
13	2.2	4.5	9.5	475*	235	162	86	85	56	26	22	12
14	2.2	5.9	7.4	430*	160	160	85	91	55	27	22	12
15	2.2	9.1	5.1	425*	119	147	83	106	52	28	25	11
16	2.2	10	4.8	367	99	137	81	114	49	29	23	11
17	2.2	8.2	4.8	383	109	135	89	114	44	30	21	10
18	2.2	8.9	4.8	420	326	133	98	105	42	31	20	10
19	2.2	9.5	4.9	407	471	125	100	106	40	29	20	11
20	292	10	4.8	381	450	123	94	114	39	30	19	15
21	75*	11	4.8	346	572	118	88	120	38	30	18	14
22	10*	8.2	4.8	342	420*	137	93	122	38	29	18	12
23	3.1*	7.8	4.8	321	355*	138	93	123	39	31	18	12
24	2.4	8.2	5.5	306	290*	122	88	125	39	32	18	11
25	2.2	9.1	6.0	286	250*	113	90	120	40	31	18	10
26	2.3	9.4	6.0	272	230*	109	95	113	40*	28	18	11
27	110	9.8	6.0	263	200*	108	100	109	40*	28	18	11
28	50*	9.8	207	267	180*	102	114	111	40*	27	19	11
29	30*	9.8	250*	248	-----	94	94	110	39*	27	18	10
30	15*	9.7	75*	218	-----	96	89	110	39*	27	18	10
31	5.0*	-----	60*	200	-----	93	-----	107	-----	27	18	-----
Total	636.2	207.0	790.0	12071	6310	4170	2738	3374	1798	953	699	369
Mean	21.2	6.90	25.5	389	225	135	91.3	109	59.9	30.7	22.5	12.3
Max	292	11	250	1600	572	170	114	132	106	39	39	18
Min	2.0	3.7	4.8	29	80	93	78	84	38	26	18	10
Acre-Ft	1260	411	1570	23940	12520	8270	5430	6690	3570	1890	1390	732
Wtr Year 2005	Total	34115.2	Mean	93.7	Max	1600	Min	2.0	Acre-Ft	67670		
Cal Year 2004	Total	3092.7	Mean	8.47	Max	292	Min	1.4	Acre-Ft	6130		

RUNOFF - DAILY DISCHARGE

Los Angeles County Dept of Public Works

USDAY V43 Output 06/14/2006

Summary Report

Site: F168 Big Tujunga Creek Below Big Tujunga Dam
 USGS #:
 Beginning Date: 10/01/2004
 Ending Date: 09/30/2005

Daily Mean Discharge in Cubic feet/second Water Year Oct 2004 to Sep 2005

Day	OCT	NOV	DEC	JAN	FEB	MAR	APR	MAY	JUN	JUL	AUG	SEP
1	.10	36	48	637	119	566	170	94	95	40	46	7.7
2	.10	55	48	615	113	581	161	102	105	26	46	7.6
3	.10	80	48	538	111	631	149	101	104	25	46	6.9
4	.10	84	48	379	108	621	122	102	104	25	46	6.6
5	.09	75	48	374	105	523	105	103	104	49	46	6.4
6	.09	114	48	367	104	359	99	84	103	62	46	4.8
7	.09	112	48	366	103	360	153	100	102	62	46	1.5
8	.09	108	48	1090	99	360	142	101	77	62	46	.94
9	.09	72	48	3660	99	358	136	110	75	61	46	.88
10	.10	46	48	3720	95	357	135	118	75	61	44	.88
11	.11	46	48	3200	127	363	109	102	75	61	43	.82
12	.10	45	48	1230	420	363	109	56	75	60	44	.78
13	.10	45	48	866	449	360	123	26	75	61	44	.79
14	.10	46	48	843	276	357	109	25	97	54	44	.80
15	.11	46	48	814	254	353	115	25	95	51	41	.79
16	.15	47	48	777	178	348	114	25	88	51	38	10
17	.37	47	48	731	161	343	113	25	123	51	38	25
18	.26	47	48	408	183	339	113	25	121	46	37	25
19	.88	47	48	255	545	333	113	25	121	45	37	9.7
20	103	47	49	295	781	327	110	40	118	45	38	1.6
21	166	48	50	356	2230	320	110	49	117	45	38	1.2
22	41	48	50	341	1990	314	108	49	115	45	37	1.0
23	40	48	50	322	1530	311	109	57	114	45	37	.92
24	38	48	50	193	1120	305	109	69	112	45	33	.93
25	37	48	50	88	914	297	106	66	110	45	27	.92
26	33	48	50	154	760	287	104	69	108	45	22	.89
27	31	49	51	209	655	266	103	69	75	45	19	.91
28	30	47	158	199	571	243	103	69	61	45	16	.85
29	29	47	1420	154	-----	161	126	69	61	45	14	.94
30	29	48	888	132	-----	145	117	69	61	45	11	.97
31	29	-----	494	123	-----	147	-----	69	-----	45	8.8	-----
Total	609.13	1724	4272	23436	14200	10998	3595	2093	2866	1493	1124.8	129.01
Mean	19.6	57.5	138	756	507	355	120	67.5	95.5	48.2	36.3	4.30
Max	166	114	1420	3720	2230	631	170	118	123	62	46	25
Min	.09	36	48	88	95	145	99	25	61	25	8.8	.78
Acre-Ft	1210	3420	8470	46480	28170	21810	7130	4150	5680	2960	2230	256
Wtr Year 2005	Total	66539.94	Mean	182	Max	3720	Min	.09	Acre-Ft	132000		
Cal Year 2004	Total	7467.08	Mean	20.4	Max	1420	Min	0	Acre-Ft	14810		

RUNOFF - DAILY DISCHARGE

Los Angeles County Dept of Public Works

USDAY V43 Output 06/14/2006

Summary Report

Site: F377 Bouquet Creek Near Saugus
 USGS #:
 Beginning Date: 10/01/2004
 Ending Date: 09/30/2005

Daily Mean Discharge in Cubic feet/second Water Year Oct 2004 to Sep 2005

Day	OCT	NOV	DEC	JAN	FEB	MAR	APR	MAY	JUN	JUL	AUG	SEP
1		0	0	0	0	16	.09	0	0	0	0	0
2	0	0	0	.07	.06	13	1.4	0	0	0	0	0
3	0	0	0	93	.05	6.1	.17	0	0	0	0	0
4	0	0	0	2.2	.11	15	0	0	0	0	0	.01
5	0	0	0	0	0	.71	0	.24	0	0	0	.01
6	0	0	0	.13	0	.18	0	.16	0	0	0	0
7	0	0	0	47	.85	.14	.34	0	0	0	0	0
8	0	0	0	71	0	.08	.40	0	0	0	0	0
9	0	0	0	939	0	.06	.18	0	0	0	0	0
10	0	0	0	1050	0	.35	.15	0	0	0	0	.08
11	0	0	0	380	108	.10	.04	0	0	0	0	.05
12	0	0	0	21	.86	.08	.05	0	0	0	0	0
13	0	0	0	2.3	0	.18	.02	0	0	0	0	0
14	0	0	0	.24	0	.25	.01	0	0	0	0	.05
15	0	0	0	.15	0	.16	0	0	0	0	.01	.05
16	0	0	0	.12*	0	.06	.05	0	0	0	0	0
17	2.3	0	0	.05*	7.0	.07	0	0	0	0	0	0
18	0	0	0	.02*	142	4.0	0	0	0	0	0	0
19	40	0	0	.10*	163	2.0	.06	0	0	0	0	0
20	50	0	0	0	104	.01	.06	0	0	0	0	0
21	0	0	0	0	347	0	.04	0	0	0	0	.05
22	0	0	0	.08	150	42	.03	0	0	0	0	0
23	0	0	0	.01	83	17	.16	0	0	0	0	.01
24	0	0	0	.03	24	2.1	.07	0	.05	0	0	0
25	0	0	0	.01	39	.78	.12	0	0	0	0	0
26	35	0	0	.29	31	.03	0	0	0	0	0	0
27	11	.44	7.3	.06	22	.11	0	0	0	0	0	0
28	0	0	167	2.5	13	2.2	8.3	0	.05	0	0	0
29	0	0	111	0	-----	.07	0	0	0	0	.01	0
30	0	0	.11	0	-----	.07	0	0	0	0	0	0
31	0	-----	12	0	-----	0	-----	0	-----	0	0	-----
Total	138.3	0.44	297.41	2609.36	1234.93	122.89	11.74	0.40	0.10	0	0.02	0.31
Mean	4.61	.015	9.59	84.2	44.1	3.96	.39	.013	.003	0	.001	.010
Max	50	.44	167	1050	347	42	8.3	.24	.05	0	.01	.08
Min	0	0	0	0	0	0	0	0	0	0	0	0
Acre-Ft	274	.9	590	5180	2450	244	23	.8	.2	0	.04	.6
Wtr Year 2005	Total	4415.90	Mean	12.1	Max	1050	Min	0	Acre-Ft	8760		
Cal Year 2004	Total	590.24	Mean	1.62	Max	167	Min	0	Acre-Ft	1170		

RUNOFF - DAILY DISCHARGE

Los Angeles County Dept of Public Works

USDAY V43 Output 06/14/2006

Summary Report

Site: F329 Bradbury Channel Below Central Avenue
 USGS #:
 Beginning Date: 10/01/2004
 Ending Date: 09/30/2005

Daily Mean Discharge in Cubic feet/second Water Year Oct 2004 to Sep 2005

Day	OCT	NOV	DEC	JAN	FEB	MAR	APR	MAY	JUN	JUL	AUG	SEP
1	.02	.08	.07	.83	.09	61	.36	.07	.07	.21	.05	.07
2	.02	.08	.07	2.9	.08	61	.31	.09	.07	.21	.15	.37
3	.03	.08	.07	6.6	.07	61	.32	.09	.04	.17	.14	.16
4	.05	.18	.07	2.6	.09	40	.33	.09	.07	.23	.45	.17
5	.03	.20	.60	1.5	.19	3.1	.37	2.7	.07	.24	.74	.25
6	.02	.07	.08	.81	.21	3.0	.32	1.9	.06	.36	2.1	.30
7	.01	.07	.07	.17	.11	2.9	.33	.10	.07	.25	1.3	.36
8	.02	.79	.07	.74	.10	2.8	.38	.07	.07	.22	.05	.25
9	.03	.08	.07	135	.10	2.6	.38	.09	.11	.36	.15	.32
10	.04	.10	.07	.97	.23	2.5	.31	.09	.14	.24	.17	.45
11	.05	.08	.07	1.5	.23	2.4	.34	.10	.15	.26	.10	.46
12	.04	.07	.07	.63	2.1	2.3	.33	.10	.14	.32	.11	.58
13	.06	.07	.08	.59	.33	2.2	.33	.11	.63	.48	.26	.88
14	.08	.07	.07	.59	.40	2.1	.33	.10	.92	.62	.08	1.6
15	.04	.07	.07	.59	.36	2.0	.25	.10	.20	.46	.35	.84
16	.33	.08	.08	.59	.20	1.9	.25	.12	.17	.55	.49	.67
17	5.4	.10	.07	.31	.52	1.8	.26	.14	.16	.53	.12	.36
18	.85	.07	.07	.30	9.8	1.7	.34	.14	.11	.75	.09	.36
19	5.2	.07	.07	.30	.59	1.6	.49	.16	.08	1.7	.07	.25
20	.39	4.6	.07	.30	.39	1.4	.12	.26	.12	.08	.03	1.2
21	.13	4.8	.10	.30	100	1.3	.11	.23	.13	.16	.10	.16
22	.11	.08	.07	.30	.76	1.3	.12	.34	.14	.07	.58	.37
23	.07	.07	.07	.30	.65	2.3	.11	.36	.16	.21	.46	.07
24	.07	.07	.07	.30	.63	2.2	.26	.51	.16	.12	.16	.05
25	.07	.07	.07	.18	.63	2.1	.13	.23	.15	.06	.05	.04
26	.19	.11	.07	.49	.63	1.9	.14	.09	.09	.06	.01	.06
27	8.6	2.6	.51	.75	.62	1.8	.17	.09	.16	.05	.01	.18
28	.19	.08	.27	.40	.61	1.7	7.7	.11	.21	.26	0	.10
29	.11	.08	.28	.09	-----	1.6	.08	.11	.20	.05	.06	.04
30	.07	.07	1.6	.09	-----	.83	.08	.05	.19	.06	.08	.06
31	.07	-----	.13	.09	-----	.32	-----	.06	-----	.02	.06	-----
Total	79.81	15.04	72.52	347.23	688.98	276.65	15.35	8.80	5.04	9.36	8.57	11.03
Mean	2.57	.50	2.34	11.2	24.6	8.92	.51	.28	.17	.30	.28	.37
Max	.39	4.8	.28	135	100	61	7.7	2.7	.92	1.7	2.1	1.6
Min	.01	.07	.07	.09	.07	.32	.08	.05	.04	.02	0	.04
Acre-Ft	158	30	144	689	1370	549	30	17	10	19	17	22
Wtr Year 2005	Total	1538.38	Mean	4.21	Max	135	Min	0	Acre-Ft	3050		
Cal Year 2004	Total	288.78	Mean	.79	Max	39	Min	0	Acre-Ft	573		

RUNOFF - DAILY DISCHARGE

Los Angeles County Dept of Public Works

USDAY V43 Output 06/14/2006

Summary Report

Site: F342 Branford Street Channel Below Sharp Avenue
 USGS #:
 Beginning Date: 10/01/2004
 Ending Date: 09/30/2005

Daily Mean Discharge in Cubic feet/second Water Year Oct 2004 to Sep 2005

Day	OCT	NOV	DEC	JAN	FEB	MAR	APR	MAY	JUN	JUL	AUG	SEP
1	.30	.28	.20	2.5	.48	.55	.49	.95	.87	.91	.21	.19
2	.35	.27	.20	12	.45	3.4	.48	.89	.90	.91	.19	.19
3	.24	.21	.20	67	.44	3.8	.54	.80	.85	.90	.18	.17
4	.48	.22	.20	3.4	.49	21	.50	.74	.79	.90	.18	.16
5	.33	.23	3.0	.77	.49	1.0	.72	6.0	.74	.90	.19	.16
6	.27	.43	.36	.58	.82	.49	.64	1.0	.75	.94	.17	.15
7	.23	.24	.48	52	.52	.48	.55	.88	.74	.90	.17	.15
8	.53	.59	.81	46	.48	.47	.55	.72	.82	.93	.18	.15
9	.45	.26	.25	161	.49	.46	.51	2.7	.74	.91	.16	.17
10	.38	.24	.21	88	.47	.45	.56	.81	.86	.92	.16	.17
11	.33	.26	.21	14	84	.47	.56	.81	.74	.92	.16	.16
12	.28	.24	.25	1.3	3.4	.56	.62	.77	.70	.91	.16	.16
13	.22	.24	.23	1.1	.53	1.2	.54	.71	.73	.95	.16	.15
14	.20	.22	.34	1.1	.58	.72	.63	.69	.69	.90	.15	.16
15	.20	.22	.23	.95	.47	.47	.74	.65	.69	.99	2.0	.15
16	2.0	.25	.19	.90	.47	.50	.64	.73	.71	.90	.16	.15
17	15	.29	.24	.77	20	.45	.63	.66	.77	.90	.16	.15
18	14	.24	.23	.46	42	3.5	.69	.72	.69	1.3	.15	.15
19	40	.23	.21	.46	91	6.0	.67	.70	.61	1.1	.16	.15
20	45	4.3	.23	.49	86	2.1	.73	.70	.66	1.3	.15	1.2
21	.30	.63*	.24	.49	79	.51	.65	.61	.65	.67	.15	.16
22	.24	.38*	.23	.50	45	.45	.69	.69	.69	.20	.16	.15
23	.21	.35*	.22	.60	26	1.7	.77	.73	.74	.20	.15	.16
24	.22	.33*	.24	.57	1.1	1.0	.76	.73	.74	.20	.15	.15
25	.21	.31*	.22	.72	2.4	.74	.76	.77	.73	.20	.15	.15
26	50	.29*	.24	3.0	.81	.64	.93	.74	.70	.20	.15	.15
27	19	.26*	.27	1.1	.65	.57	.90	.77	.74	.20	.15	.15
28	.65	.24*	116	11	.61	1.5	31	.69	1.4	.20	.15	.14
29	.28	.22*	64	.66	-----	.55	1.2	.76	.92	.20	.15	.15
30	.29	.20*	2.9	.64	-----	.48	1.0	.69	.93	.19	.17	.15
31	.31	-----	34	.67	-----	.47	-----	.95	-----	.20	.19	-----
Total	192.50	12.67	253.56	474.73	489.15	101.23	50.65	30.76	23.29	21.95	6.92	5.75
Mean	6.21	.42	8.18	15.3	17.5	3.27	1.69	.99	.78	.71	.22	.19
Max	50	4.3	116	161	91	45	31	6.0	1.4	1.3	2.0	1.2
Min	.20	.20	.19	.46	.44	.45	.48	.61	.61	.19	.15	.14
Acre-Ft	382	25	503	942	970	201	100	61	46	44	14	11
Wtr Year 2005	Total	1663.16	Mean	4.56	Max	161	Min	.14	Acre-Ft	3300		
Cal Year 2004	Total	715.42	Mean	1.95	Max	116	Min	.16	Acre-Ft	1420		

RUNOFF - DAILY DISCHARGE

Los Angeles County Dept of Public Works

USDAY V43 Output 06/14/2006

Summary Report

Site: E285 Burbank-Western Storm Drain
 USGS #:
 Beginning Date: 10/01/2004
 Ending Date: 09/30/2005

Daily Mean Discharge in Cubic feet/second Water Year Oct 2004 to Sep 2005

Day	OCT	NOV	DEC	JAN	FEB	MAR	APR	MAY	JUN	JUL	AUG	SEP
1	17	13	16	43	39	45	20	12	18	39	23	18
2	17	12	14	58	32	38	20	13	19	34	17	17
3	17	12	14	290	27	39	20	13	18	35	17	16
4	17	12	15	99	24	139	19	13	19	31	17	16
5	15	12	24	43	23	66	18	27	18	29	14	16
6	15	13	21	39	23	33	18	13	20	29	16	18
7	16	14	15	192	20	24	18	13	20	30	18	18
8	15	15	14	262	19	21	17	13	20	28	18	18
9	15	13	13	725	18	19	17	14	21	28	18	18
10	16	13	14	467	18	18	17	13	20	30	18	20
11	16	12	14	204	324	17	16	13	22	29	18	21
12	16	13	14	157	99	17	15	13	25	20	20	18
13	16	14	14	119	41	17	15	12	25	17	19	19
14	16	15	14	92	24	17	14	12	33	17	15	19
15	16	16	13	80	20	16	14	12	32	17	17	19
16	18	11	12	68	20	15	14	12	31	18	16	21
17	71	8.4	12	59	76	15	14	12	31	18	15	20
18	51	7.9	12	43	566	15	14	12	32	17	16	20
19	254	7.6	11	37	554	15	13	12	33	16	17	20
20	363	18	11	36	546	15	14	13	33	14	17	34
21	22	74	11	35	627	14	13	12	35	16	18	15
22	14	19	11	29	303	204	13	12	37	16	18	14
23	13	14	12	26	289	105	13	14	37	16	18	14
24	13	13	14	25	167	65	13	14	33	15	18	14
25	13	13	14	25	111	44	13	14	33	14	17	13
26	288	14	12	25	65	28	13	14	35	15	16	14
27	166	16	83	25	48	25	13	14	33	14	16	13
28	31	16	765	90	47	24	183	14	32	14	17	13
29	15	15	442	85	-----	23	13	15	31	14	18	13
30	13	16	97	54	-----	22	13	15	35	13	18	13
31	13	-----	207	44	-----	21	-----	16	-----	19	18	-----
Total	1598	461.9	1955	3576	4170	1176	627	421	831	662	538	522
Mean	51.5	15.4	63.1	115	149	37.9	20.9	13.6	27.7	21.4	17.4	17.4
Max	363	74	765	725	627	204	183	27	37	39	23	34
Min	13	7.6	11	25	18	14	13	12	18	13	14	13
Acre-Ft	3170	916	3880	7090	8270	2330	1240	835	1650	1310	1070	1040
Wtr Year 2005	Total	16537.9	Mean	45.3	Max	765	Min	7.6	Acre-Ft	32800		
Cal Year 2004	Total	7601.7	Mean	20.8	Max	765	Min	1.6	Acre-Ft	15080		

RUNOFF - DAILY DISCHARGE

Los Angeles County Dept of Public Works

USDAY V43 Output 06/14/2006

Summary Report

Site: F37B Compton Creek near Greenleaf Drive
 USGS #:
 Beginning Date: 10/01/2004
 Ending Date: 09/30/2005

Daily Mean Discharge in Cubic feet/second Water Year Oct 2004 to Sep 2005

Day	OCT	NOV	DEC	JAN	FEB	MAR	APR	MAY	JUN	JUL	AUG	SEP
1	2.7	1.4	.84	4.1	0	3.1	1.7	.75	.84	1.5	1.2	1.2
2	2.2	2.0	.81	141	.58	2.0	1.7	.70	.79	1.3	.93	1.0
3	2.2	1.4	1.0	340	0	5.1	1.7	.80	.81	1.4	1.4	.98
4	2.3	1.1	1.1	33	0	20	1.8	1.0	.70	2.7	1.6	1.1
5	2.4	1.1	.96	3.5	0	2.6	1.4	1.8	.75	1.6	1.0	1.3
6	2.2	.99	5.6	2.4	0	1.9	2.1	.41	.62	1.4	1.1	1.4
7	2.3	1.9	2.5	417	0	2.0	.51	.84	.70	1.8	1.3	1.5
8	2.7	5.3	.17	165	0	1.7	.48	.54	.49	1.0	.95	1.2
9	2.6	1.7	2.1	605	0	1.6	.43	4.9	.95	.88	.94	1.3
10	2.3	1.1	1.7	312	0	1.6	.52	1.0	.92	.89	1.0	1.1
11	2.8	1.0	1.9	53	442	1.7	.66	.65	.85	.90	1.0	1.3
12	2.4	1.2	1.7	.86	103	1.7	.75	.41	.85	.86	1.2	1.0
13	2.3	1.3	1.7	.34	.50	1.6	.60	.42	.56	.84	1.1	.79
14	2.7	1.1	1.8	.04	.04	1.7	.62	.58	.63	1.1	1.7	1.1
15	2.5	1.4	1.8	.12	1.2	1.6	.42	.70	1.5	1.1	1.3	1.7
16	2.4	1.5	1.4	0	1.7	1.4	.57	1.5	.85	1.2	.88	1.1
17	202	1.2	1.2	.25	48	1.4	.72	.90	1.4	.97	.79	.92
18	36	1.2	1.1	.45	68	.19	.82	.07	1.1	1.7	1.2	1.6
19	38	1.4	1.1	.23	1010	6.3	.52	.38	1.1	1.7	.98	1.7
20	524	1.4	1.3	.33	259	4.7	.54	.19	1.2	1.0	.88	.74
21	3.8	.45	1.7	.03	587	1.8	.61	.28	1.0	1.4	1.7	2.0
22	2.8	1.8	1.7	0	281	246	.63	.78	1.0	1.8	2.3	.82
23	3.2	1.6	1.1	.01	128	.13	.58	1.6	1.3	1.6	1.4	.71
24	3.1	1.2	1.2	.21	3.9	2.9	.11	.40	1.1	1.4	1.1	.98
25	2.1	1.2	1.1	.02	2.3	2.3	.61	.30	1.4	1.1	1.3	.71
26	165	1.3	1.4	3.8	1.6	1.8	.71	.16	1.3	1.4	1.3	1.0
27	216	9.6	.28	.34	1.2	1.5	.61	.24	1.3	1.3	1.3	.88
28	8.5	3.8	1320	28	2.1	4.1	240	.46	1.2	.99	1.6	.79
29	2.3	.87	369	.41	-----	2.7	1.6	.43	1.3	1.1	1.4	1.1
30	2.0	.46	4.6	0	-----	1.8	.88	.49	1.4	1.2	1.2	2.4
31	1.9	-----	317	0	-----	1.8	-----	.79	-----	1.1	1.1	-----
Total	1249.7	97.52	2190.45	2111.44	2941.12	362.4	275.79	65.06	29.91	40.23	38.15	108.68
Mean	40.3	3.25	70.7	68.1	105	11.7	9.19	2.10	1.0	1.30	1.23	3.62
Max	524	.45	1320	605	1010	246	240	.41	1.5	2.7	2.3	.74
Min	1.9	.46	.81	0	0	1.4	.42	.07	.49	.84	.79	.71
Acre-Ft	2480	193	4340	4190	5830	719	547	129	59	80	76	216
Wtr Year 2005	Total	9510.45	Mean	26.1	Max	1320	Min	0	Acre-Ft	18860		
Cal Year 2004	Total	5641.07	Mean	15.4	Max	1320	Min	.36	Acre-Ft	11190		

RUNOFF - DAILY DISCHARGE

Los Angeles County Dept of Public Works

USDAY V43 Output 06/14/2006

Summary Report

Site: F354 Coyote Creek Below Spring Street
 USGS #:
 Beginning Date: 10/01/2004
 Ending Date: 09/30/2005

Daily Mean Discharge in Cubic feet/second Water Year Oct 2004 to Sep 2005

Day	OCT	NOV	DEC	JAN	FEB	MAR	APR	MAY	JUN	JUL	AUG	SEP
1	41	114	55	1570	73	251	134	120	108	132	63	64
2	37	39	22	1350	85	293	115	129	104	118	55	64
3	36	34	21	3160	85	352	218	107	173	107	142	63
4	34	86	26	1930	78	1370	152	97	66	100	249	62
5	43	137	624	1310	75	547	166	94	52	94	274	59
6	40	146	94	749	106	457	217	602	39	82	218	55
7	41	146	46	4950	123	274	228	146	38	80	124	52
8	40	127	130	4640	109	264	220	126	32	73	53	53
9	41	84	48	8220	82	324	217	165	26	72	35	53
10	41	54	49	5590	115	298	218	158	28	63	40	51
11	39	45	57	2680	3150	239	208	152	25	53	41	51
12	36	72	65	339	2200	295	215	202	23	50	55	51
13	35	67	88	192	213	311	172	462	35	42	53	55
14	34	68	124	169	228	191	153	183	39	37	47	53
15	37	47	110	86	194	257	185	191	55	37	49	50
16	39	31	161	62	187	279	184	303	44	31	56	51
17	1280	30	161	90	540	306	183	197	38	30	51	51
18	226	27	188	26	1670	403	187	344	34	44	49	50
19	257	28	202	20	6860	401	187	367	82	57	52	53
20	3980	32	222	8.7	2470	475	196	363	93	123	51	109
21	144	620	235	15	8730	201	196	455	103	151	52	71
22	90	82	243	15	3110	2320	196	385	121	127	57	28
23	86	66	320	14	3390	1040	197	332	122	78	67	29
24	67	66	541	15	526	217	878	413	136	40	65	29
25	92	60	673	24	452	181	163	301	145	44	65	28
26	1000	81	746	74	343	146	148	434	162	47	59	17
27	2530	429	793	58	275	150	170	267	180	96	59	30
28	216	277	6980	296	710	199	1750	211	194	26	61	27
29	159	56	7070	63	-----	209	155	266	212	114	60	26
30	150	61	1500	60	-----	219	57	196	229	211	63	32
31	155	-----	4210	63	-----	241	-----	145	-----	90	68	-----
Total	11046	3212	25804	37838.7	36179	12710	7665	7913	2738	2449	2433	1467
Mean	356	107	832	1221	1292	410	256	255	91.3	79.0	78.5	48.9
Max	3980	620	7070	8220	8730	2320	1750	602	229	211	274	109
Min	34	27	21	8.7	73	146	57	94	23	26	35	17
Acre-Ft	21910	6370	51180	75050	71760	25210	15200	15700	5430	4860	4830	2910
Wtr Year 2005	Total	151454.7	Mean	415	Max	8730	Min	8.7	Acre-Ft	300400		
Cal Year 2004	Total	58749	Mean	161	Max	7070	Min	15	Acre-Ft	116500		

RUNOFF - DAILY DISCHARGE

Los Angeles County Dept of Public Works

USDAY V43 Output 06/14/2006

Summary Report

Site: F274B Dalton Wash at Merced Avenue
 USGS #:
 Beginning Date: 10/01/2004
 Ending Date: 09/30/2005

Daily Mean Discharge in Cubic feet/second Water Year Oct 2004 to Sep 2005

Day	OCT	NOV	DEC	JAN	FEB	MAR	APR	MAY	JUN	JUL	AUG	SEP
1	.47	21	155	.46	.16	208	.16	2.7	.14	1.2	.37	.08
2	.45	21	276	.11	.25	197	.15	2.9	.14	1.2	.16	.08
3	.39	14	277	.46	.24	191	.14	2.6	.15	1.2	.19	.08
4	.66	5.1	277	.17	.18	185	.14	1.8	.16	1.2	.17	.08
5	.45	5.9	285	7.5	.10	83	.22	2.9	.19	1.1	.14	.08
6	.35	5.7	276	6.1	1.1	65	.13	132	.21	.57	.15	.11
7	.34	5.6	182	.87	.60	32	.15	15	.24	.13	.16	.12
8	.36	51	72	757	.23	.35	.18	13	.24	.12	.16	.08
9	.32	6.0	150	3430	.20	.28	.26	12	.22	.13	.24	.11
10	.32	4.6	146	2210	4.3	.17	.30	12	.25	.14	.14	.11
11	.31	5.7	152	1730	275	.37	.27	11	.28	.21	.14	.10
12	.76	6.7	157	169	50	.24	.26	11	.32	.16	.15	.12
13	.30	6.7	187	9.1	.38	.32	.18	11	.36	.20	.15	.11
14	.35	7.1	237	4.5	.38	.19	.16	7.1	.36	.16	.15	.11
15	.48	6.1	234	3.8	.18	1.9	.14	.41	.33	.19	.22	.10
16	.62	3.9	233	3.8	.27	3.8	.14	.41	.37	.14	.15	.09
17	176	.39	243	3.8	.48	8.7	.14	.41	.41	.14	.17	.09
18	.67	.50	246	3.8	.175	.26	.14	.41	.46	.22	.15	.10
19	.44	1.1	248	3.8	1310	.28	.69	.32	.51	.14	.17	.20
20	990*	.64	255	3.8	1040	.18	.17	.30	.57	.14	.17	.47
21	.38	162	249	3.8	2260	6.0	.49	.26	.63	.16	.17	1.2
22	.32	.21	245	3.8	968	152	.21	.22	.72	.21	.19	.15
23	.29	.19	248	3.8	843	.11	.15	.22	.76	.17	.16	.17
24	.27	.34	255	3.8	352	.45	.16	.22	.84	.30	.17	.15
25	.24	.15	259	3.8	314	.48	.15	.22	.82	.25	.14	.16
26	344	.16	265	7.4	286	.32	.15	.19	.79	.19	.16	.16
27	161	.31	82	.20	268	.30	.42	.15	.86	.16	.17	.25
28	.29	1.6	389	.25	230	2.0	133	.15	.94	.15	.18	.15
29	.28	.92	284	.18	-----	.17	3.7	.15	1.0	.20	.21	.17
30	.24	.78	7.6	.34	-----	.14	2.9	.15	1.1	.28	.31	.18
31	.23	-----	287	.16	-----	.14	-----	.14	-----	.17	.09	-----
Total	2042.93	439.44	6858.6	8579.54	8472.12	1222.32	145.45	241.33	14.37	10.93	5.45	51.69
Mean	65.9	14.6	221	277	303	39.4	4.85	7.78	.48	.35	.18	1.72
Max	990	162	389	3430	2260	208	133	132	1.1	1.2	.37	.47
Min	.30	.15	7.6	.16	.10	.14	.13	.14	.14	.12	.09	.08
Acre-Ft	4050	872	13600	17020	16800	2420	288	479	29	22	11	103
Wtr Year 2005	Total	28084.17	Mean	76.9	Max	3430	Min	.08	Acre-Ft	55700		
Cal Year 2004	Total	18979.61	Mean	51.9	Max	990	Min	.09	Acre-Ft	37650		

RUNOFF - DAILY DISCHARGE

Los Angeles County Dept of Public Works

USDAY V43 Output 06/14/2006

Summary Report

Site: F271 Eaton Wash Below Eaton Wash Dam
 USGS #:
 Beginning Date: 10/01/2004
 Ending Date: 09/30/2005

Daily Mean Discharge in Cubic feet/second Water Year Oct 2004 to Sep 2005

Day	OCT	NOV	DEC	JAN	FEB	MAR	APR	MAY	JUN	JUL	AUG	SEP
1	0	.05	.01	43	26	82	28	9.7	4.3	1.5	.21	.05
2	0	.02	0	42	19	68	31	26	4.1	1.5	.18	.01
3	0	0	0	41	5.4	55	28	33	4.0	1.5	.17	.01
4	0	0	0	36	.26	55	28	28	3.9	1.4	.16	0
5	0	0	.36	36	.16	50	28	25	3.8	1.4	.14	0
6	0	0	.16	41	.06	59	27	18	3.1	1.6	.14	0
7	0	0	.10	45	.01	73	26	15	3.7	.80	.14	0
8	0	.05	.11	63	6.5	73	24	12	4.0	.10	.14	0
9	0	0	.12	19	12	74	22	10	4.6	.21	.13	0
10	0	0	.08	.91	14	70	22	9.7	5.2	.30	.11	0
11	0	0	.04	.14	5.3	71	21	8.9	4.9	.71	.02	0
12	0	0	.02	.02	.57	70	21	8.1	4.3	.95	.02	0
13	0	0	0	9.4	1.3	69	21	7.3	3.6	.68	0	0
14	0	0	.04	48	34	62	20	6.7	2.9	.30	0	0
15	0	0	.06	47	65	49	20	5.8	2.5	.30	0	0
16	.13	0	.06	39	64	45	20	5.7	2.2	.30	0	0
17	.25	0	.06	20	65	43	20	5.6	1.8	.28	0	0
18	0	0	.05	.07	66	44	20	5.5	1.5	.28	0	0
19	.26	0	.01	19	96	44	28	5.4	1.2	.28	0	0
20	43	.01	.01	41	103	44	32	5.4	1.0	.28	0	.35
21	35	.13	0	48	131	44	30	5.2	.99	.26	0	0
22	33	.16	.01	55	46	41	29	5.1	1.0	.25	0	0
23	29	.17	0	60	36	41	30	5.1	1.1	.25	0	0
24	27	3.5	.01	43	86	41	28	5.0	1.1	.23	0	0
25	26	.07	0	37	156	39	33	4.9	1.2	.22	0	.03
26	22	0	.02	37	154	34	33	4.8	1.2	.25	0	.03
27	56	.41	.40	36	151	34	31	4.7	1.3	.24	0	.02
28	51	.10	1.2	36	121	30	28	4.6	1.4	.23	0	0
29	30	.02	.38	35	-----	23	19	4.5	1.4	.23	0	0
30	.70	0	.24	34	-----	23	11	4.5	1.5	.23	0	0
31	.21	-----	.29	31	-----	23	-----	4.4	-----	.22	.90	-----
Total	353.55	4.69	32.55	1042.54	1464.56	1573	759	303.6	78.79	17.28	2.46	0.50
Mean	11.4	.16	1.05	33.6	52.3	50.7	25.3	9.79	2.63	.56	.079	.017
Max	56	3.5	.29	63	156	82	33	33	5.2	1.6	.90	.35
Min	0	0	0	.02	.01	23	11	4.4	.99	.10	0	0
Acre-Ft	701	9.3	65	2070	2900	3120	1510	602	156	34	4.9	1
Wtr Year 2005	Total	5632.52	Mean	15.4	Max	156	Min	0	Acre-Ft	11170		
Cal Year 2004	Total	531.70	Mean	1.45	Max	56	Min	0	Acre-Ft	1050		

RUNOFF - DAILY DISCHARGE

Los Angeles County Dept of Public Works

USDAY V43 Output 06/14/2006

Summary Report

Site: F318 Eaton Wash at Loftus Drive
 USGS #:
 Beginning Date: 10/01/2004
 Ending Date: 09/30/2005

Daily Mean Discharge in Cubic feet/second Water Year Oct 2004 to Sep 2005

Day	OCT	NOV	DEC	JAN	FEB	MAR	APR	MAY	JUN	JUL	AUG	SEP
1	.53	2.0	1.4	109	.08	31	.11	.05	.22	.20	.26	.22
2	.46	2.0	1.4	230	.06	10	.22	.08	.27	.21	.22	.23
3	.46	2.0	1.4	249	.08	11	.03	.08	.28	.21	.21	.22
4	.49	2.0	1.4	53	.04	105	.06	.08	.22	.20	.23	.19
5	.47	2.2	.33	31	.08	34	.05	6.5	.22	.23	.24	.20
6	.57	1.9	1.9	28	5.1	49	.14	6.0	.28	.19	.22	.23
7	.65	1.7	1.6	244	.29	44	.09	.06	.20	.24	.19	.24
8	.48	2.0	2.1	536	.26	19	.07	.07	.16	.23	.21	.23
9	.49	1.7	1.6	1420	.22	4.3	.04	.12	.20	.23	.22	.22
10	.51	2.0	1.4	1070	.77	27	.13	.19	.20	.24	.45	.26
11	.47	2.0	1.4	708	385	38	.45	.22	.22	.26	.25	.22
12	.52	1.1	1.4	377	.38	38	.04	.19	.24	.61	.24	.25
13	.49	.97	1.4	311	.10	38	.07	.24	.21	.27	.24	.25
14	.54	.98	1.4	238	.24	32	.06	.25	.29	.29	.25	.20
15	.58	1.2	1.4	100	.41	21	.07	.23	.33	.26	.25	.21
16	.55	1.6	1.3	70	.25	18	.09	.20	.23	.22	.24	.20
17	.12	.71	1.2	32	.58	16	.07	.24	.23	.20	.20	.21
18	.50	1.3	1.2	.20	220	31	.06	.20	.21	.25	.22	.23
19	110	1.6	1.2	1.8	644	18	.50	.21	.21	.21	.20	.44
20	526	.34	1.2	5.0	492	17	.37	.20	.19	.25	.24	.16
21	.46	.47	.58	30	697	6.8	.06	.23	.22	.28	.21	.32
22	.44	1.5	.10	46	576	152	.28	.28	.20	.23	.25	.27
23	.41	1.6	.09	55	471	1.2	.10	.21	.21	.22	.23	.24
24	.39	1.4	.10	32	267	.31	.16	.20	.19	.21	.26	.25
25	.38	1.4	.10	13	143	.47	.10	.20	.20	.25	.24	.24
26	237	1.4	.10	36	137	.02	.11	.18	.20	.21	.23	.24
27	228	.35	.12	6.7	128	.03	.15	.19	.22	.25	.25	.23
28	.63	2.1	407	34	88	1.1	106	.20	.19	.24	.25	.23
29	.31	1.7	229	5.7	-----	.06	.10	.20	.29	.20	.28	.25
30	2.3	1.7	.97	5.3	-----	.07	.04	.18	.21	.21	.25	.26
31	2.0	-----	219	2.4	-----	.04	-----	.32	-----	.21	.27	-----
Total	1477.56	159.76	929.34	6079.10	4351.98	763.40	109.82	17.80	6.74	7.51	7.50	22.98
Mean	47.7	5.33	30.0	196	155	24.6	3.66	.57	.22	.24	.24	.77
Max	526	.47	407	1420	697	152	106	6.5	.33	.61	.45	.16
Min	.46	.71	.09	.20	.04	.02	.03	.05	.16	.19	.19	.19
Acre-Ft	2930	317	1840	12060	8630	1510	218	35	13	15	15	46
Wtr Year 2005	Total	13933.49	Mean	38.2	Max	1420	Min	.02	Acre-Ft	27640		
Cal Year 2004	Total	3971.99	Mean	10.9	Max	526	Min	.09	Acre-Ft	7880		

RUNOFF - DAILY DISCHARGE

Los Angeles County Dept of Public Works

USDAY V43 Output 06/14/2006

Summary Report

Site: U7 Fish Creek
 USGS #:
 Beginning Date: 10/01/2004
 Ending Date: 09/30/2005

Daily Mean Discharge in Cubic feet/second Water Year Oct 2004 to Sep 2005

Day	OCT	NOV	DEC	JAN	FEB	MAR	APR	MAY	JUN	JUL	AUG	SEP
1	0	6.8	4.7	37	21	46	16	12	9.6	7.5	4.8	9.9
2	0	5.5	4.6	26	20	42	16	11	9.1	7.4	4.8	9.9
3	0	6.5	4.5	31	19	39	16	11	9.0	7.3	5.9	9.9
4	0	5.4	4.4	26	18	41	16	11	9.0	7.3	5.9	9.9
5	0	5.1	4.5	21	17	37	15	13	8.9	7.2	6.0	9.9
6	0	4.9	4.6	18	16	34	15	12	8.8	7.2	6.1	9.9
7	0	4.8	4.6	28	14	32	15	11	8.8	7.1	6.2	9.9
8	0	4.7	4.6	485	14	31	15	11	8.7	7.1	6.4	9.9
9	0	4.7	4.5	1240	13	29	15	11	8.7	7.0	6.5	9.9
10	0	4.7	4.4	975	13	28	14	11	8.6	7.0	6.6	9.9
11	0	4.7	4.3	594	29	27	14	11	8.6	6.9	6.8	9.9
12	0	4.7	4.1	174	34	26	14	10	8.5	6.9	6.9	9.9
13	0	4.6	4.1	96	24	26	13	10	8.4	6.8	7.1	9.9
14	0	4.5	4.1	68	21	24	13	10	8.4	6.7	7.2	9.9
15	0	4.4	4.1	53	20	23	13	10	8.3	6.7	7.4	9.9
16	0	4.3	4.0	45	19	23	13	10	8.3	6.6	7.5	9.9
17	0	4.3	3.9	41	18	22	13	10	8.2	6.6	7.6	9.9
18	0	4.1	3.9	39	34	23	13	10	8.2	6.5	7.8	9.9
19	0	4.1	3.9	38	178	23	13	10	8.1	6.5	7.9	9.9
20	140	4.1	3.9	38	200	21	13	10	8.0	6.4	8.1	9.9
21	20	8.7	3.9	38	427	21	12	10	8.0	6.4	8.2	9.9
22	9.0	5.3	3.9	37	255	23	12	10	7.9	6.3	8.4	9.9
23	6.6	4.9	3.9	35	165	24	12	10	7.9	6.3	8.5	9.9
24	5.9	4.7	3.8	32	107	21	12	10	7.8	6.2	8.7	9.9
25	5.4	4.7	3.8	31	83	20	12	10	7.8	6.2	8.8	9.9
26	13	4.6	3.8	29	68	19	12	10	7.7	6.1	9.0	9.9
27	64	5.1	3.9	27	58	18	12	10	7.7	6.1	9.1	9.9
28	19	5.4	20	26	48	18	16	10	7.6	6.0	9.3	9.9
29	12	4.7	110	25	-----	18	13	10	7.6	6.0	9.4	9.9
30	9.5	4.7	43	23	-----	17	12	10	7.5	5.9	9.6	9.9
31	8.1	-----	54	22	-----	17	-----	10	-----	5.9	9.8	-----
Total	312.5	149.7	339.7	4398	1953	813	410	325	249.7	206.1	232.3	297.0
Mean	10.1	4.99	11.0	142	69.8	26.2	13.7	10.5	8.32	6.65	7.49	9.90
Max	140	8.7	110	1240	427	46	16	13	9.6	7.5	9.8	9.9
Min	0	4.1	3.8	18	13	17	12	10	7.5	5.9	4.8	9.9
Acre-Ft	620	297	674	8720	3870	1610	813	645	495	409	461	589
Wtr Year 2005	Total	9686.0	Mean	26.5	Max	1240	Min	0	Acre-Ft	19210		
Cal Year 2004	Total	1219.96	Mean	3.33	Max	140	Min	0	Acre-Ft	2420		

RUNOFF - DAILY DISCHARGE

Los Angeles County Dept of Public Works

USDAY V43 Output 06/14/2006

Summary Report

Site: F251 San Gabriel River - West Fork at Toe of COGSWELL Dam
 USGS #:
 Beginning Date: 10/01/2004
 Ending Date: 09/30/2005

Daily Mean Discharge in Cubic feet/second Water Year Oct 2004 to Sep 2005

Day	OCT	NOV	DEC	JAN	FEB	MAR	APR	MAY	JUN	JUL	AUG	SEP
1	1.3	7.7	4.1	21	18	15	23	24	26	30	24	21
2	1.3	7.6	4.0	23	18	16	23	24	26	29	24	21
3	1.3	7.5	3.9	25	17	16	23	24	26	28	24	21
4	1.3	7.0	3.9	23	17	17	23	24	27	30	23	20
5	1.3	6.3	4.2	22	17	17	23	24	27	30	23	20
6	1.2	6.5	5.1	22	16	17	23	25	27	30	23	20
7	1.1	6.5	5.2	22	16	17	24	25	27	30	23	20
8	1.1	6.3	5.2	27	16	18	24	25	27	29	23	20
9	1.1	5.7	5.3	32	15	18	24	25	27	28	23	20
10	1.1	5.1	5.3	34	15	18	24	25	27	28	23	20
11	1.1	5.2	5.4	34	16	19	24	25	28	28	22	20
12	1.1	5.1	5.4	33	17	19	24	25	28	27	22	20
13	1.1	5.0	5.2	33	17	19	24	25	29	26	21	20
14	1.1	4.9	5.1	33	17	20	24	25	29	26	21	20
15	1.1	4.6	5.1	32	17	20	24	25	31	26	21	20
16	1.1	4.7	5.1	31	17	20	24	25	30	26	21	20
17	1.0	5.1	5.1	31	17	20	24	25	30	26	21	20
18	1.1	5.1	5.1	31	18	20	24	25	30	26	21	20
19	1.2	5.1	5.1	27	20	21	24	26	31	26	21	20
20	1.0	5.2	5.0	21	19	21	24	26	31	26	21	20
21	7.6	5.1	5.0	20	24	21	24	26	31	25	21	20
22	7.5	5.0	5.0	20	20	21	24	26	31	25	21	20
23	7.5	5.0	4.9	20	18	21	24	26	31	25	21	20
24	7.4	4.8	4.9	20	17	21	24	26	31	25	21	19
25	6.8	4.6	4.9	20	16	21	24	26	30	25	21	19
26	6.4	4.6	5.0	20	16	21	24	26	30	25	21	19
27	7.8	4.4	5.0	20	15	21	24	26	30	25	21	19
28	8.1	4.3	5.9	20	15	22	24	26	30	25	21	19
29	8.0	4.2	11	19	-----	22	24	26	30	25	21	19
30	7.8	4.1	15	19	-----	23	24	26	30	24	21	19
31	7.8	-----	19	19	-----	23	-----	26	-----	24	21	-----
Total	114.7	162.3	183.4	774	481	605	714	783	868	828	676	596
Mean	3.70	5.41	5.92	25.0	17.2	19.5	23.8	25.3	28.9	26.7	21.8	19.9
Max	10	7.7	19	34	24	23	24	26	31	30	24	21
Min	1.0	4.1	3.9	19	15	15	23	24	26	24	21	19
Acre-Ft	228	322	364	1540	954	1200	1420	1550	1720	1640	1340	1180
Wtr Year 2005	Total	6785.4	Mean	18.6	Max	34	Min	1.0	Acre-Ft	13460		
Cal Year 2004	Total	1219.65	Mean	3.33	Max	19	Min	.53	Acre-Ft	2420		

RUNOFF - DAILY DISCHARGE

Los Angeles County Dept of Public Works

USDAY V43 Output 06/14/2006

Summary Report

Site: L1 Little Rock Creek Above Little Rock Dam
 USGS #:
 Beginning Date: 10/01/2004
 Ending Date: 09/30/2005

Daily Mean Discharge in Cubic feet/second Water Year Oct 2004 to Sep 2005

Day	OCT	NOV	DEC	JAN	FEB	MAR	APR	MAY	JUN	JUL	AUG	SEP
1		23	7.9	79	77	180	82	91	34	9.0	3.2	.84
2	0	19	7.6	58	71	172	86	94	32	8.3	2.7	.85
3	0	17	7.4	54	66	169	87	101	30	8.0	2.4	.81
4	0	16	7.2	47	62	181	88	105	28	7.4	2.3	.78
5	0	14	7.3	40	59	193	83	108	26	7.0	2.3	.74
6	0	13	7.1	37	56	181	89	142	25	6.7	3.4	.76
7	0	12	6.6	44	52	179	99	113	24	6.5	7.2	.77
8	0	11	6.8	533	49	179	94	106	23	6.3	6.8	.76
9	0	10	7.4	2440	48	195	90	106	23	5.9	4.4	.78
10	0	9.5	7.3	2050	48	208	85	96	22	5.7	3.7	.89
11	0	8.9	7.6	1530	503	227	83	88	21	5.4	3.3	1.1
12	0	8.4	8.1	513	446	234	87	85	20	4.9	2.8	1.2
13	0	8.1	8.6	304	245	227	94	87	19	4.4	2.5	1.3
14	0	7.4	8.2	227	185	204	96	92	18	3.8	2.3	1.5
15	0	7.1	7.7	184	153	169	94	99	18	3.4	2.4	1.5
16	0	6.7	7.1	161	136	148	92	104	17	3.1	2.8	1.4
17	0	6.6	6.8	148	129	136	101	98	17	2.7	2.6	1.3
18	0	6.5	6.5	142	296	128	104	89	18	2.4	2.2	1.3
19	0	6.2	6.3	137	604	123	100	95	17	2.2	2.1	1.3
20	404	6.0	6.2	133	613	127	91	94	16	2.0	2.0	2.0
21	97	7.2	5.9	124	1210	118	87	88	15	2.1	1.8	4.8
22	32	8.4	5.6	124	642	121	89	82	14	2.0	1.5	4.2
23	20	7.2	5.5	124	437	139	87	79	13	5.1	1.3	2.8
24	18*	7.1	5.3	118	331	117	82	74	12	11	1.2	2.2
25	12	7.2	5.3	117	274	104	80	66	12	11	1.2	1.9
26	10	8.2	5.2	118	234	96	86	59	12	6.2	1.3	1.8
27	171	9.4	5.0	113	208	92	88	53	12	4.9	1.3	1.7
28	63	11	225	113	193	95	102	48	11	4.4	1.2	1.6
29	37	9.4	592	109	-----	89	94	45	11	3.8	1.0	1.4
30	29	8.4	197	94	-----	88	91	41	9.9	3.4	.96	1.3
31	26	-----	116	85	-----	85	-----	37	-----	3.2	.89	-----
Total	919	299.9	1313.5	10100	7427	4704	2711	2665	569.9	162.2	77.05	45.58
Mean	30.6	10.0	42.4	326	265	152	90.4	86.0	19.0	5.23	2.49	1.52
Max	404	23	592	2440	1210	234	104	142	34	11	7.2	4.8
Min	0	6.0	5.0	37	48	85	80	37	9.9	2.0	.89	.74
Acre-Ft	1820	595	2610	20030	14730	9330	5380	5290	1130	322	153	90
Wtr Year 2005	Total	30994.13	Mean	85.1	Max	2440	Min	0	Acre-Ft	61480		
Cal Year 2004	Total	4090.94	Mean	11.2	Max	592	Min	0	Acre-Ft	8110		

RUNOFF - DAILY DISCHARGE

Los Angeles County Dept of Public Works

USDAY V43 Output 06/14/2006

Summary Report

Site: F356 Live Oak Creek Below Live Oak Dam
 USGS #:
 Beginning Date: 10/01/2004
 Ending Date: 09/30/2005

Daily Mean Discharge in Cubic feet/second Water Year Oct 2004 to Sep 2005

Day	OCT	NOV	DEC	JAN	FEB	MAR	APR	MAY	JUN	JUL	AUG	SEP
1	.16	0	0	8.7	1.5	8.7	6.8	4.6	2.0	.90	.88	.82
2	.22	0	0	7.3	1.5	8.6	6.1	3.2	2.0	.88	.83	.82
3	.23	0	0	6.7	1.5	8.6	5.4	2.1	2.0	.85	.78	.76
4	.22	0	0	6.4	1.5	8.6	4.3	2.1	2.0	.83	.78	.60
5	.18	0	0	5.1	1.5	8.6	4.6	2.1	2.0	.81	.78	.50
6	.12	0	0	5.4	1.5	8.5	4.5	3.1	1.9	.79	.78	.44
7	.11	0	0	5.8	1.5	8.0	4.5	2.1	1.9	.76	.78	.39
8	.08	0	0	20	1.5	8.0	4.7	2.1	1.9	.74	.77	.35
9	.11	0	0	156	1.4	8.0	4.8	2.1	1.9	.72	.63	.26
10	.09	0	0	104	1.4	7.8	5.0	2.1	1.9	.70	.64	.26
11	.02	0	0	82	4.5	7.7	5.1	2.1	1.8	.67	.65	.35
12	0	0	0	20	34	7.7	5.3	2.1	1.8	.65	.64	.26
13	0	0	0	20	9.6	7.7	5.3	2.1	1.8	.63	.77	.26
14	0	0	0	14	5.1	7.7	5.3	2.1	1.8	.61	.65	.27
15	0	0	0	10	3.6	9.5	5.3	2.1	1.7	.58	.65	.39
16	0	0	0	9.2	2.6	8.2	5.3	2.1	1.6	.56	.65	.39
17	.01	0	0	9.2	2.3	3.1	5.3	2.1	1.5	.54	.66	.39
18	.02	0	0	6.9	2.5	10	5.3	2.1	1.5	.84	.76	.39
19	0	0	0	2.9	37	0	5.3	2.1	1.5	.91	.77	.43
20	.10	0	0	2.9	33	0	5.3	2.1	1.5	.91	.78	.52
21	0	.11	0	2.7	59	7.4	5.3	2.1	1.4	.91	.78	.44
22	0	.07	0	2.4	43	8.5	5.3	2.1	1.4	.91	.78	.57
23	0	0	0	2.1	46	12	5.3	2.1	1.4	.91	.78	.74
24	0	0	0	2.1	21	9.0	5.3	2.1	1.4	.91	.90	.61
25	0	0	0	2.0	13	7.7	5.3	2.1	1.4	.91	.91	1.2
26	.01	0	0	1.9	10	7.7	5.3	2.1	1.3	.91	.89	.63
27	.04	.03	0	1.9	9.1	7.7	5.3	2.1	1.3	.91	.69	.66
28	0	.20	.60	1.7	8.9	7.7	5.3	2.1	1.1	.91	.77	.59
29	0	.07	5.9	1.5	-----	7.3	5.3	2.1	.91	.91	.78	.57
30	0	0	11	1.5	-----	7.2	5.3	2.1	.91	.91	.78	.51
31	0	-----	9.8	1.5	-----	7.2	-----	2.1	-----	.91	.78	-----
Total	1.72	0.48	27.30	523.8	359.0	224.50	156.5	69.7	48.52	24.89	23.47	15.37
Mean	.055	.016	.88	16.9	12.8	7.24	5.22	2.25	1.62	.80	.76	.51
Max	.23	.20	11	156	59	12	6.8	4.6	2.0	.91	.91	1.2
Min	0	0	0	1.5	1.4	0	4.3	2.1	.91	.54	.63	.26
Acre-Ft	3.4	1	54	1040	712	445	310	138	96	49	47	30
Wtr Year 2005	Total	1475.25	Mean	4.04	Max	156	Min	0	Acre-Ft	2930		
Cal Year 2004	Total	144.72	Mean	.40	Max	14	Min	0	Acre-Ft	287		

RUNOFF - DAILY DISCHARGE

Los Angeles County Dept of Public Works

USDAY V43 Output 06/14/2006

Summary Report

Site: F300 Los Angeles River at Tujunga Avenue
 USGS #:
 Beginning Date: 10/01/2004
 Ending Date: 09/30/2005

Daily Mean Discharge in Cubic feet/second Water Year Oct 2004 to Sep 2005

Day	OCT	NOV	DEC	JAN	FEB	MAR	APR	MAY	JUN	JUL	AUG	SEP
1	57	82	94	512	187	665	162	131	64	91	62	83
2	56	82	92	758	174	728	151	113	67	91	62	83
3	56	85	90	5460	164	958	145	102	70	90	58	83
4	56	88	88	620	156	1330	141	93	73	90	85	83
5	56	93	592	497	153	954	136	162	76	90	86	83
6	55	89	105	529	152	897	133	160	107	90	87	83
7	58	93	137	3940	155	810	132	79	149	77	87	83
8	50	130	207	3450	152	633	131	68	150	72	84	82
9	54	98	86	14400	149	562	130	110	146	73	86	83
10	50	99	84	15800	145	552	128	84	142	74	87	82
11	54	94	81	9060	4840	571	128	55	138	76	85	82
12	55	91	82	3560	825	568	128	43	133	79	85	82
13	63	90	87	1830	612	568	127	38	129	81	85	82
14	78	91	74	1310	608	568	116	40	127	72	85	81
15	79	92	80	1180	594	568	101	42	125	71	108	80
16	90	35	82	1020	584	568	101	43	174	73	82	81
17	935	178	79	940	1080	568	101	46	174	74	79	80
18	377	308	77	722	4130	621	94*	48	134	66	75	80
19	1840	305	76	576	7300	675	109	49	120	60	69	80
20	2890	402	82	548	6860	571	188	48	113	61	76	277
21	100	520	83	519	12300	562	231	48	108	61	80	79
22	95	290	81	522	7390	2230	209	48	107	61	79	71
23	75	172	75	531	4840	681	183	47	115	61	85	73
24	77	100	81	528	2700	570	171	47	112	62	83	70
25	83	90	76	492	2430	568	159	47	107	62	84	69
26	2400	86	77	456	1820	568	145	42	104	62	81	74
27	1530	161	975	417	1680	568	131	43	101	62	82	69
28	187	111	8350	804	1200	541	2340	46	98	62	83	61
29	94	100	4090	457	-----	343	371	50	95	62	83	62
30	81	97	1030	266	-----	234	160	54	93	62	84	63
31	78	-----	3070	204	-----	187	-----	59	-----	62	83	-----
Total	11809	4352	20363	71908	63380	20987	6682	2085	3451	2230	2520	2524
Mean	381	145	657	2320	2264	677	223	67.3	115	71.9	81.3	84.1
Max	2890	520	8350	15800	12300	2230	2340	162	174	91	108	277
Min	50	35	74	204	145	187	94	38	64	60	58	61
Acre-Ft	23420	8630	40390	142600	125700	41630	13250	4140	6840	4420	5000	5010
Wtr Year 2005	Total	212291	Mean	582	Max	15800	Min	35	Acre-Ft	421100		
Cal Year 2004	Total	66916	Mean	183	Max	8350	Min	35	Acre-Ft	132700		

RUNOFF - DAILY DISCHARGE

Los Angeles County Dept of Public Works

USDAY V43 Output 06/14/2006

Summary Report

Site: F319 Los Angeles River Below Wardlow Road
 USGS #:
 Beginning Date: 10/01/2004
 Ending Date: 09/30/2005

Daily Mean Discharge in Cubic feet/second Water Year Oct 2004 to Sep 2005

Day	OCT	NOV	DEC	JAN	FEB	MAR	APR	MAY	JUN	JUL	AUG	SEP
1	88	143	163	721	240	774	208	202	175	172	167	157
2	88	185	166	1270	227	817	205	197	181	168	163	159
3	88	188	164	9250	222	1090	201	202	184	168	157	154
4	88	188	162	1450	232	2460	203	210	179	167	152	154
5	88	188	1150	514	215	1120	198	247	183	170	156	153
6	88	187	382	671	224	1050	200	586	181	166	155	155
7	88	186	173	7740	237	1030	200	212	185	168	155	151
8	86	192	338	10500	207	1080	204	213	188	156	151	154
9	86	193	175	45500	198	1180	226	257	185	162	151	153
10	86	179	166	42400	217	1060	199	240	188	163	154	154
11	86	176	163	31900	10100	694	206	199	186	164	151	153
12	86	175	163	10800	3200	773	209	197	187	167	151	156
13	86	168	164	6260	504	779	207	192	185	168	163	159
14	94	171	167	4820	383	808	208	196	184	165	170	157
15	100	176	156	2830	382	947	197	195	189	158	198	157
16	103	175	162	2380	261	1140	198	196	208	165	168	157
17	1830	172	158	1460	1070	1010	198	207	206	169	160	160
18	438	169	159	1070	5730	1020	197	194	181	167	159	156
19	659	174	160	772	23800	1430	200	190	181	164	157	160
20	13200	170	160	678	18600	1250	188	185	180	164	154	628
21	182	1000	166	599	38500	713	183	179	180	158	155	195
22	112	172	167	614	18500	5040	180	179	177	160	153	151
23	112	165	169	439	13000	2500	179	177	188	156	162	151
24	109	166	163	429	5640	590	208	178	177	160	162	151
25	111	172	163	350	4200	523	186	177	176	165	162	151
26	2760	164	159	468	2830	479	220	174	175	160	157	151
27	5080	228	582	283	2470	485	206	170	180	162	161	152
28	258	336	17200	1130	1750	483	3930	175	178	161	161	150
29	117	162	12400	306	-----	251	226	174	177	155	160	147
30	108	163	1310	233	-----	241	203	175	175	157	160	147
31	107	-----	7550	238	-----	230	-----	176	-----	161	162	-----
Total	26612	6283	44680	188075	153139	33047	9773	6451	5499	5066	4947	5133
Mean	858	209	1441	6067	5469	1066	326	208	183	163	160	171
Max	13200	1000	17200	45500	38500	5040	3930	586	208	172	198	628
Min	86	143	156	233	198	230	179	170	175	155	151	147
Acre-Ft	52780	12460	88620	373000	303700	65550	19380	12800	10910	10050	9810	10180
Wtr Year 2005	Total	488705	Mean	1339	Max	45500	Min	86	Acre-Ft	969300		
Cal Year 2004	Total	131783	Mean	360	Max	17200	Min	86	Acre-Ft	261400		

RUNOFF - DAILY DISCHARGE

Los Angeles County Dept of Public Works

USDAY V43 Output 06/14/2006

Summary Report

Site: F34D Los Angeles River Below Firestone Boulevard
 USGS #:
 Beginning Date: 10/01/2004
 Ending Date: 09/30/2005

Daily Mean Discharge in Cubic feet/second Water Year Oct 2004 to Sep 2005

Day	OCT	NOV	DEC	JAN	FEB	MAR	APR	MAY	JUN	JUL	AUG	SEP
1	127	130	133	173	158	179*	136	147	133	133	133	133
2	127	130	130	237	156	189	136	143	133	133	133	133
3	127	130	130	923	153	205	136	141	133	133	133	133
4	126	130	130	198	151	335	136	137	133	133	133	133
5	124	130	191	170	151	201	136	139	133	133	133	133
6	124	130	161	175	151	192	136	154	133	133	133	133
7	124	130	145	715	151*	190	136	136	133	133	133	133
8	124	133	154	814	223*	177	136	136	133	133	133	133
9	124	133	151	3080	491*	171	136	143	133	133	133	133
10	124	133	141	2780	1010*	170	136	144	133	133	133	133
11	124	133	137	1520	1260*	170	136	136	133	133	133	133
12	124	136	132	584	352*	170	136	136	133	133	133	133
13	124	136	130	342	180*	170	136	134	133	133	133	133
14	124	136	130	256	174*	170	136	133	133	133	133	133
15	124	136	130	237	210*	170	136	133	133	131	135	133
16	126	136	130	213	255*	170	136	133	133	130	135	135
17	274	136	130	206	423*	170	136	133	133	130	133	136
18	203	136	130	190	1270*	175	136	133	133	130	133	136
19	419	136	130	170	1470*	178	136	133	133	130	133	136
20	1070	139	130	170	1740*	171	136	133	133	130	133	156
21	162	196	130	170	976*	170	136	133	133	130	133	142
22	146	152	130	170	918*	500	136	133	133	130	133	136
23	137	142	130	170	1340*	215	136	133	133	130	133	133
24	131	139	130	170	946*	167	136	133	133	130	133	133
25	129	137	130	168	697*	166	136	133	133	130	133	133
26	512	135	130	170	497*	163	136	133	133	130	133	133
27	519	140	197	166	303*	161	136	133	133	130	133	133
28	164	160	1840	206	199*	149	421	133	133	130	133	133
29	149	143	986	168	-----	137	160	133	133	130	133	133
30	137	136	213	162	-----	136	154	133	133	132	133	133
31	132	-----	656	158	-----	136	-----	133	-----	133	-----	-----
Total	6281	4149	7447	15031	16005	5823	4407	4220	3990	4078	4127	4036
Mean	203	138	240	485	572	188	147	136	133	132	133	135
Max	1070	196	1840	3080	1740	500	421	154	133	133	135	156
Min	124	130	130	158	151	136	136	133	133	130	133	133
Acre-Ft	12460	8230	14770	29810	31750	11550	8740	8370	7910	8090	8190	8010
Wtr Year 2005	Total	79594	Mean	218	Max	3080	Min	124	Acre-Ft	157900		
Cal Year 2004	Total	55830	Mean	153	Max	1840	Min	124	Acre-Ft	110700		

RUNOFF - DAILY DISCHARGE

Los Angeles County Dept of Public Works

USDAY V43 Output 06/14/2006

Summary Report

Site: F57C Los Angeles River Above Arroyo Seco
 USGS #:
 Beginning Date: 10/01/2004
 Ending Date: 09/30/2005

Daily Mean Discharge in Cubic feet/second Water Year Oct 2004 to Sep 2005

Day	OCT	NOV	DEC	JAN	FEB	MAR	APR	MAY	JUN	JUL	AUG	SEP
1	117	90	102	493	232	863	407	104	120	131	98	92
2	116	92	105	990	224	791	383	105	128	140	92	92
3	116	95	104	6240	222	1010	359	110	125	147	84	89
4	121	97	103	688	221	2170	337	108	122	136	88	90
5	122	102	780	381	214	1070	316	249	122	128	86	91
6	123	104	146	386	231	1030	296	156	119	123	88	89
7	133	107	103	3950	169	964	277	104	130	105	87	89
8	123	130	259	4710	164	880	259	109	111	117	84	87
9	124	114	106	17500	143	815	242	194	124	121	83	87
10	117	113	106	16500	144	811	226	107	129	123	82	86
11	113	112	103	9560	5780	663	212	102	133	120	83	84
12	115	112	106	3700	931	635	198	93	131	121	89	79
13	113	110	108	2470	382	633	185	100	130	113	94	78
14	138	112	105	1570	363	646	173	103	137	106	97	79
15	143	112	107	1400	301	639	161	105	137	118	121	80
16	144	112	114	1210	200	639	150	107	209	114	81	83
17	1310	114	115	1100	1000	639	140	118	132	115	80	81
18	603	112	111	1110	4360	678	122	106	125	116	81	82
19	2210	120	112	1090	8500	715	124	108	128	122	78	82
20	5210	158	118	1090	8310	654	117	105	130	118	85	200
21	122	540	127	1040	14700	645	115	105	145	122	91	79
22	99	101	126	405	7420	2980	116	110	160	123	92	74
23	91	100	126	451	5490	813	116	115	168	127	97	73
24	89	104	129	433	3600	528	126	116	157	132	100	74
25	91	105	125	381	3000	502	119	128	161	121	102	73
26	2830	96	125	396	2430	471	119	117	157	119	103	77
27	2670	219	910	412	2210	441	114	131	141	120	105	77
28	180	138	11000	1070	1570	427	2110	130	135	116	103	78
29	104	103	6080	442	-----	425	117	134	130	113	103	75
30	92	103	984	433	-----	420	106	127	129	107	101	81
31	89	-----	3620	368	-----	420	-----	130	-----	102	96	-----
Total	17768	3827	26365	81969	72511	25017	7842	3736	4105	3736	2854	2581
Mean	573	128	850	2644	2590	807	261	121	137	121	92.1	86.0
Max	5210	540	11000	17500	14700	2980	2110	249	209	147	121	200
Min	89	90	102	368	143	420	106	93	111	102	78	73
Acre-Ft	35240	7590	52290	162600	143800	49620	15550	7410	8140	7410	5660	5120
Wtr Year 2005	Total	252311	Mean	691	Max	17500	Min	73	Acre-Ft	500500		
Cal Year 2004	Total	98746	Mean	270	Max	11000	Min	89	Acre-Ft	195900		

RUNOFF - DAILY DISCHARGE

Los Angeles County Dept of Public Works

USDAY V43 Output 06/14/2006

Summary Report

Site: F130 Malibu Creek Below Cold Creek
 USGS #:
 Beginning Date: 10/01/2004
 Ending Date: 09/30/2005

Daily Mean Discharge in Cubic feet/second Water Year Oct 2004 to Sep 2005

Day	OCT	NOV	DEC	JAN	FEB	MAR	APR	MAY	JUN	JUL	AUG	SEP
1	1.8	7.8	8.1	264	36	215	93	59	18	11	5.8	5.6
2	1.8	7.4	8.3	131	33	190	93	50	17	11	5.8	5.6
3	1.7	6.3	6.4	2520	30	175	96	43	17	11	5.6	5.6
4	1.6	3.7	7.1	420	27	166	100	41	17	10	5.6	5.6
5	1.8	3.5	26	186	26	176	102	44	17	9.7	5.6	5.3
6	1.7	3.5	24	124	27	152	98	61	16	9.5	5.6	5.1
7	1.7	3.5	14	895	26	131	94	63	16	9.3	5.4	4.4
8	1.5	3.5	17	1390	25	119	91	61	15	9.5	5.3	3.7
9	1.3	3.6	14	7330	25	111	89	61	15	9.5	5.2	3.8
10	1.4	3.7	12	3780	25	102	90	66	15	9.3	5.1	3.8
11	1.5	3.5	8.4	1690	508	98	82	65	15	9.1	5.1	3.7
12	1.4	3.7	11	606	270	92	78	63	15	9.0	5.3	3.7
13	1.5	3.8	8.9	406	154	89	72	60	15	13	5.3	3.7
14	1.4	3.5	11	315	102	86	67	60	15	16	5.3	3.7
15	1.4	3.3	8.0	227	76	81	59	60	14	13	5.3	3.7
16	1.5	7.0	10	172	63	76	55	61	14	11	5.5	3.7
17	20	7.7	6.2	144	59	75	51	62	14	9.4	5.6	3.7
18	10	5.7	7.1	119	1060	77	49	52	14	8.5	5.6	3.7
19	61	6.1	10	102	1980	89	47	44	14	8.0	5.7	3.7
20	396	8.6	6.4	90	1570	94	46	37	13	7.6	5.8	3.7
21	21	8.3	7.8	80	4860	89	44	35	12	7.2	6.0	3.7
22	12	9.5	9.2	68	1630	348	43	38	12	7.0	6.1	3.7
23	8.7	8.5	8.2	62	1120	392	42	38	12	6.8	6.1	3.7
24	8.1	8.2	8.0	56	596	219	42	36	11	6.6	6.1	3.7
25	7.0	8.3	11	52	454	159	42	33	11	6.4	5.9	3.7
26	99	8.4	8.1	49	359	133	43	30	12	6.3	5.8	3.7
27	202	7.9	28	50	276	115	43	29	12	6.3	5.8	3.7
28	21	12	1890	62	235	111	266	27	12	6.1	5.6	3.6
29	12	7.0	1230	76	-----	111	130	25	12	6.1	5.6	3.5
30	9.5	7.5	212	54	-----	102	77	22	12	6.0	5.6	3.5
31	9.0	-----	1080	43	-----	96	-----	20	-----	5.8	5.6	-----
Total	921.3	185.0	4716.2	21563	15652	4269	2324	1446	424	275.0	173.7	122.0
Mean	29.7	6.17	152	696	559	138	77.5	46.6	14.1	8.87	5.60	4.07
Max	396	12	1890	7330	4860	392	266	66	18	16	6.1	5.6
Min	1.3	3.3	6.2	43	25	75	42	20	11	5.8	5.1	3.5
Acre-Ft	1830	367	9350	42770	31050	8470	4610	2870	841	545	345	242
Wtr Year 2005	Total	52071.2	Mean	143	Max	7330	Min	1.3	Acre-Ft	103300		
Cal Year 2004	Total	9795.2	Mean	26.8	Max	1890	Min	1.2	Acre-Ft	19430		

RUNOFF - DAILY DISCHARGE

Los Angeles County Dept of Public Works

USDAY V43 Output 06/14/2006

Summary Report

Site: F395 Mescal Creek near Pinon Hills
 USGS #:
 Beginning Date: 10/01/2004
 Ending Date: 09/30/2005

Daily Mean Discharge in Cubic feet/second Water Year Oct 2004 to Sep 2005

Day	OCT	NOV	DEC	JAN	FEB	MAR	APR	MAY	JUN	JUL	AUG	SEP
1		.09*	.40*	1.8	8.6*	22	15	13*	7.2	3.3	1.6	.85
2	0	.07*	.26*	1.5	8.4*	21	15	12*	7.0	3.3	1.7	.83
3	0	.37	.25*	1.4	8.0*	20	16	11*	6.8	3.2	1.7	.84
4	0	.52	.23*	1.2	7.8*	20	16	11	6.7	3.2*	1.7	.81
5	0	1.4	.21*	1.1	7.2	21	16	13	6.3	3.1*	1.6	.80
6	0	2.0	.20*	1.1	7.0	20	17	16	6.3	3.0*	2.3	.78
7	0	2.7	.18*	1.3	6.6	19	18	15	6.3	2.9*	1.6	.76
8	0	1.8	.16*	1.5	6.6	20	18	16	6.1	2.8	1.4*	.75
9	0	.37	.14*	115	6.5	20	18	15	6.1	2.5	1.4*	.79
10	0	.37	.12*	209	6.3	22	17*	15	5.8	2.3	1.3*	.79
11	0	.37	.10*	136	11	23	17*	14	5.7	2.0	1.3*	.78
12	0	.35	.08*	45*	11	25	17*	14*	5.6	1.9	1.3*	.80
13	0	.34	.10*	23*	10*	26	17*	13*	5.5	1.7	1.2*	.82
14	0	.32*	.21	21*	9.0*	25*	17*	14*	5.4	1.5	1.2*	.80
15	0	.30*	.23	19	8.0*	24*	18	14*	5.2	1.3	1.2*	.71
16	0	.30*	.25	17	7.6*	23*	18	13*	5.0	1.2	1.1*	.53
17	0	.28*	.20	15	7.1*	22	19	13*	4.9	.75*	1.1*	.49
18	0	.26*	.15	15	13	21	20	13*	4.9	.53*	1.1*	.46
19	0	.24*	.25	14	17	21	19	12*	4.8	.53*	1.1*	.45
20	15*	.25*	.23	13	19	21	18	12	4.6	.52*	1.0*	1.0
21	.25*	1.0*	.25	12	28	21	17	11	4.4	.51*	1.0*	.80
22	.10*	1.4	.12	11	27	20	17	11	4.4	.51*	1.0*	.66
23	0*	1.2	.06	11	27	20	17	10	4.3	1.5	1.1	.62
24	0*	.82	.06	11	26	19	17	9.9	4.2	2.1	1.1	.59
25	0*	.78	.07	11	24	19	17	9.6	4.1	1.9	1.1	.60
26	.20*	.91	.10	11	23	17	16*	9.2	3.9	1.6	1.1	.60
27	1.9*	.35	.12	11	23	17	16*	8.8	3.8	1.5	1.0	.53
28	.43	.32*	3.5	10*	22	16	18*	8.6	3.7	1.5	.98	.56
29	.30*	.31*	6.7	10*	-----	16	16*	8.2	3.7	1.5	.95	.53
30	.20*	.30*	2.8	9.5*	-----	15	14*	7.8	3.6	1.5	.92	.52
31	.11*	-----	2.4	9.0*	-----	15	-----	7.6	-----	1.6	.87	-----
Total	18.49	20.09	20.13	782.9	385.7	631	511	370.7	156.3	57.25	39.02	20.85
Mean	.62	.67	.65	25.3	13.8	20.4	17.0	12.0	5.21	1.85	1.26	.70
Max	15	2.7	6.7	209	28	26	20	16	7.2	3.3	2.3	1.0
Min	0	.07	.06	1.1	6.3	15	14	7.6	3.6	.51	.87	.45
Acre-Ft	37	40	40	1550	765	1250	1010	735	310	114	77	41
Wtr Year 2005	Total	3013.43	Mean	8.28	Max	209	Min	0	Acre-Ft	5980		
Cal Year 2004	Total	93.79	Mean	.26	Max	15	Min	0	Acre-Ft	186		

RUNOFF - DAILY DISCHARGE

Los Angeles County Dept of Public Works

USDAY V43 Output 06/14/2006

Summary Report

Site: F328 Mint Canyon Creek at Fitch
 USGS #:
 Beginning Date: 10/01/2004
 Ending Date: 09/30/2005

Daily Mean Discharge in Cubic feet/second Water Year Oct 2004 to Sep 2005

Day	OCT	NOV	DEC	JAN	FEB	MAR	APR	MAY	JUN	JUL	AUG	SEP
1		0	0	0	0*	0	0	0	0	0	0	0
2	0	0	0	0	0	0	0	0	0	0	0	0
3	0	0	0	12	0	0	0	0	0	0	0	0
4	0	0	0	.20	0	.01	0	0	0	0	0	0
5	0	0	0	.03	0	0	0	0	0	0	0	0
6	0	0	0	0	0	0	0	0	0	0	0	0
7	0	0	0	13	0	0	0	0	0	0	0	0
8	0	0	0	31	0	0	0	0	0	0	0	0
9	0	0	0	160	0	0	0	0	0	0	0	0
10	0	0	0	229	0	0	0	0	0	0	0	0
11	0	0	0	125	6.9	0	0	0	0	0	0	0
12	0	0	0	.60	0	0	0	0	0	0	0	0
13	.01	0	0	0	0	0	0	0	0	0	0	0
14	0	0	0	0	0	0	0	0	0	0	0	0
15	0	0	0	0	0	0	0	0	0	0	0	0
16	0	.02	0	0	0	0	0	0	0	0	0	0
17	.01	0	0	0	0	0	0	0	0	0	0	0
18	0	0	0	0	14	0	0	0	0	0	0	0
19	1.1	0	0	0	80	0	0	0	0	0	0	0
20	19	0	0	0	27	0	0	0	0	0	0	0
21	.05	0	0	0	103	0	0	0	0	0	0	0
22	.04	0	0	0	63	6.6	0	0	0	0	0	0
23	0	0	0	0	31	.73	0	0	0	0	0	0
24	0	0	0	0	2.8	0	0	0	0	0	0	0
25	0	0	0	0	1.1	0	0	0	0	0	0	0
26	6.0	0	0	0	0	0	0	0	0	0	0	0
27	5.4	0	.10	0	0	0	0	0	0	0	0	0
28	.29	0	16	0	0	0	.12	0	0	0	0	0
29	0	0	18	0*	-----	0	0	0	0	0	0	0
30	0	0	0	0*	-----	0	0	0	0	0	0	0
31	0	-----	2.2	0*	-----	0	-----	0	-----	0	0	-----
Total	31.90	0.02	36.30	570.83	328.8	7.34	0.12	0	0	0	0	0
Mean	1.06	.001	1.17	18.4	11.7	.24	.004	0	0	0	0	0
Max	19	.02	18	229	103	6.6	.12	0	0	0	0	0
Min	0	0	0	0	0	0	0	0	0	0	0	0
Acre-Ft	63	.04	72	1130	652	15	.2	0	0	0	0	0
Wtr Year 2005	Total	975.31	Mean	2.68	Max	229	Min	0	Acre-Ft	1930		
Cal Year 2004	Total	72.48	Mean	.20	Max	19	Min	0	Acre-Ft	144		

RUNOFF - DAILY DISCHARGE

Los Angeles County Dept of Public Works

USDAY V43 Output 06/14/2006

Summary Report

Site: F181 Montebello Storm Drain Above Rio Hondo
 USGS #:
 Beginning Date: 10/01/2004
 Ending Date: 09/30/2005

Daily Mean Discharge in Cubic feet/second Water Year Oct 2004 to Sep 2005

Day	OCT	NOV	DEC	JAN	FEB	MAR	APR	MAY	JUN	JUL	AUG	SEP
1	.09	.15	.18	.14	.12	.16	.15	.15	.12	.12	.12	.15
2	.09	.15	.18	.77	.12	.16	.15	.15	.12	.12	.12	.15
3	.09	.15	.18	1.0	.12	.24	.15	.15	.12	.12	.12	.15
4	.09	.12	.15	.41	.12	.72	.15	.15	.12	.12	.12	.15
5	.09	.12	.39	.15	.12	.20	.15	.15	.12	.12	.12	.14
6	.09	.12	.14	.12	.25	.18	.15	.35	.12	.12	.12	.12
7	.09	.12	.09	3.3	.20	.18	.15	.18	.12	.12	.21	.12
8	.09	.12	.09	2.3	.15	.16	.15	.15	.12	.12	.22	.12
9	.09	.12	.09	82	.14	.15	.15	.15	.12	.12	.22	.12
10	.09	.12	.09	67	.13	.15	.15	.15	.12	.12	.19	.12
11	.09	.12	.08	51	3.1	.15	.15	.15	.12	.12	.18	.12
12	.09	.10	.07	1.2	.63	.15	.15	.15	.12	.12	.18	.12
13	.09	.09	.07	.16	.16	.15	.15	.15	.12	.12	.18	.12
14	.09	.09	.07	.15	.15	.15	.15	.15	.12	.12	.18	.12
15	.09	.09	.07	.13	.15	.15	.13	.15	.12	.12	.16	.12
16	.17	.09	.07	.12	.15	.15	.12	.15	.12	.12	.15	.12
17	1.3	.09	.07	.12	.36	.15	.12	.15	.12	.12	.15	.12
18	.79	.09	.07	.12	.94	.18	.12	.15	.12	.12	.15	.12
19	1.2	.09	.07	.12	.28	.23	.12	.15	.12	.12	.15	.12
20	.12	.10	.07	.12	7.9	.19	.12	.15	.12	.12	.15	.27
21	.32	.62	.07	.12	.17	.18	.12	.15	.12	.12	.15	.22
22	.28	.24	.07	.12	6.8	4.0	.12	.15	.12	.12	.15	.20
23	.25	.19	.07	.12	1.5	.21	.12	.15	.12	.12	.15	.18
24	.22	.18	.07	.12	.22	.18	.12	.15	.12	.12	.15	.18
25	.22	.15	.07	.10	.22	.18	.12	.15	.12	.12	.15	.18
26	2.4	.15	.07	.20	.20	.16	.12	.15	.12	.12	.15	.16
27	2.7	.29	.15	.15	.18	.15	.12	.15	.12	.12	.15	.15
28	.37	.29	4.9	.41	.18	.15	1.4	.15	.12	.12	.15	.15
29	.24	.24	3.2	.18	-----	.15	.18	.15	.12	.12	.15	.15
30	.21	.22	.16	.15	-----	.15	.16	.13	.12	.12	.15	.15
31	.18	-----	4.2	.13	-----	.15	-----	.12	-----	.12	.15	-----
Total	24.20	4.81	15.32	212.23	69.31	9.61	5.41	4.83	3.60	3.72	4.84	4.41
Mean	.78	.16	.49	6.85	2.48	.31	.18	.16	.12	.12	.16	.15
Max	.12	.62	4.9	.82	.28	4.0	1.4	.35	.12	.12	.22	.27
Min	.09	.09	.07	.10	.12	.15	.12	.12	.12	.12	.12	.12
Acre-Ft	48	9.5	30	421	137	19	11	9.6	7.1	7.4	9.6	8.7
Wtr Year 2005	Total	362.29	Mean	.99	Max	82	Min	.07	Acre-Ft	719		
Cal Year 2004	Total	301.46	Mean	.82	Max	65	Min	0	Acre-Ft	598		

RUNOFF - DAILY DISCHARGE

Los Angeles County Dept of Public Works

USDAY V43 Output 06/14/2006

Summary Report

Site: F118B Pacoima Creek Flume below Pacoima Dam
 USGS #:
 Beginning Date: 10/01/2004
 Ending Date: 09/30/2005

Daily Mean Discharge in Cubic feet/second Water Year Oct 2004 to Sep 2005

Day	OCT	NOV	DEC	JAN	FEB	MAR	APR	MAY	JUN	JUL	AUG	SEP
1	0	0	0	141	76	156	80	0	165	0	0	0
2	0	15	0	140	94	162	0	0	19	0	0	0
3	0	24	0	140	103	131	0	0	0	0	0	0
4	0	24	0	139	35	116	93	0	.64	0	0	0
5	0	24	0	139	0	116	128	0	5.8	3.4	0	0
6	0	23	0	138	0	117	126	216	29	2.7	0	0
7	0	23	0	137	75	117	47	245	33	.25	0	0
8	0	23	0	387	112	118	0	0	29	0	0	0
9	0	23	0		111	117	0	0	14	0	0	0
10	0	14	0	0	109	105	0	0	6.4	0	0	0
11	0	0	0	0	37	90	89	0	4.7	0	0	0
12	0	0	0	0	0	90	64	0	3.0	214	0	0
13	0	0	0	0	0	90	0	0	1.3	94	0	0
14	0	0	0	0	120	90	0	0	161	0	0	0
15	0	0	0	0	159	87	0	0	55	0	0	0
16	0	0	0	0	97	86	0	0	2.1	0	0	0
17	0	0	0	0	61	86	0	263	4.3	0	0	0
18	0	0	0	0	0	86	0	203	6.7	.84	0	0
19	1.3	0	0	0	441*	86	0	0	9.3	0	0	0
20	0	0	0	0	641*	85	0	0	12	0	0	0
21	0	0	0	161	786*	86	0	0	14	0	0	0
22	0	0	0	243	856*	86	0	0	17	0	0	0
23	0	0	0	240	687*	86	0	0	20	0	0	0
24	0	0	0	236	607*	85	0	0	23	0	0	0
25	0	0	0	232	559	84	0	0	26	0	0	0
26	0	0	0	129	413	84	0	0	29	192	0	0
27	0	0	0	78	414	84	0	0	31	74	0	0
28	0	0	0	78	259	83	.02	0	34	0	0	0
29	0	0	9.1	77	-----	78	0	0	38	0	0	0
30	0	0	35	77	-----	135	0	0	20	0	0	0
31	0	-----	74	76	-----	162	-----	174	-----	0	0	-----
Total	1.3	193	118.1	2988	6852	3184	627.02	1101	813.24	581.19	0	0
Mean	.042	6.43	3.81	99.6	245	103	20.9	35.5	27.1	18.7	0	0
Max	1.3	24	74	387	856	162	128	263	165	214	0	0
Min	0	0	0	0	0	78	0	0	0	0	0	0
Acre-Ft	2.6	383	234	5930	13590	6320	1240	2180	1610	1150	0	0
Wtr Year 2005	Total	16458.85	Mean	45.2	Max	856	Min	0	Acre-Ft	32650		
Cal Year 2004	Total	761.75	Mean	2.08	Max	76	Min	0	Acre-Ft	1510		

RUNOFF - DAILY DISCHARGE

Los Angeles County Dept of Public Works

USDAY V43 Output 06/14/2006

Summary Report

Site: F305 Pacoima Diversion at Branford Street
 USGS #:
 Beginning Date: 10/01/2004
 Ending Date: 09/30/2005

Daily Mean Discharge in Cubic feet/second Water Year Oct 2004 to Sep 2005

Day	OCT	NOV	DEC	JAN	FEB	MAR	APR	MAY	JUN	JUL	AUG	SEP
1	.37	.31	.27	13	.73	46	23	4.1	1.4	3.7	2.9	2.1
2	.38	.58	.24	73	1.5	1.8	8.8	4.1	3.5	3.2	2.7	2.2
3	.38	.59	.16	281	3.0	53	7.9	4.2	3.4	3.3	2.7	2.1
4	.38	.68	.22	29	5.1	120	3.1	4.1	3.4	3.1	2.7	2.0
5	.36	1.2	8.2	28	7.9	56	.94	18	3.6	3.6	2.7	2.0
6	.36	.58	.41	27	11	39	.93	6.2	3.5	3.5	2.8	2.2
7	.35	.68	2.5	269	4.5	37	4.4	3.0	3.3	3.2	2.8	1.9
8	.36	1.4	3.8	313	1.5	15	7.1	5.1	3.4	2.9	2.8	1.9
9	.38	.68	.27	2240	1.5	5.7	6.5	12	4.0	2.8	2.6	2.0
10	.41	1.1	.22	3440	1.5	12	6.0	4.4	3.4	2.9	2.7	2.1
11	.37	.34	.22	2300	355	4.2	5.3	3.8	3.4	3.0	2.7	2.0
12	.33	.31	.25	708	27	5.5	6.4	4.0	3.4	7.7	2.7	2.0
13	.35	.34	.27	331	8.8	4.4	6.2	3.6	3.2	3.7	2.8	2.0
14	.33	.29	.26	227	4.1	1.6	7.6	3.6	4.8	3.1	2.9	2.0
15	.38	.25	.24	193	1.4	1.4	5.6	3.7	4.4	3.5	20	2.0
16	3.4	.25	.22	102	1.5	1.4	5.5	3.9	3.8	3.5	2.2	2.0
17	62	.28	.27	51	57	1.5	5.3	3.3	4.0	3.2	2.2	2.0
18	9.9	.45	.26	32	77	8.5	5.5	7.5	3.6	3.2	2.3	1.9
19	259	1.0	.20	27	515	24	5.4	4.2	3.2	3.2	2.4	1.9
20	132	8.6	.30	36	1070	5.0	5.0	3.5	3.2	3.4	2.3	13
21	.76	.76	.31	56	1440	3.2	5.1	3.3	3.2	3.4	2.3	2.2
22	.79	.41	.35	72	1080	171	4.9	3.3	3.2	3.1	2.4	2.1
23	.75	.28	.21	76	657	13	4.9	3.4	3.8	3.1	2.3	2.3
24	.67	.30	.23	74	471	1.6	4.9	3.5	3.8	3.0	1.9	2.3
25	.60	.33	.26	76	417	3.3	4.5	3.4	3.8	3.1	2.1	2.3
26	99	.31	.32	54	329	4.6	4.4	3.3	3.9	5.8	2.0	2.3
27	8.4	7.7	.39	07	306	3.3	4.3	3.3	3.8	4.1	2.1	2.2
28	23	.32	148	6.1	246	7.1	93	3.2	3.8	2.9	2.0	1.9
29	.40	.13	185	.11	-----	2.7	4.8	3.3	3.3	3.2	1.9	2.1
30	.40	.13	.21	.27	-----	1.2	4.2	3.3	3.4	3.0	2.0	2.2
31	.38	-----	132	.42	-----	.94	-----	2.1	-----	2.9	2.0	-----
Total	606.94	30.58	524.67	11134.97	7101.03	654.94	261.47	141.7	105.9	107.3	92.9	73.2
Mean	19.6	1.02	16.9	359	254	21.1	8.72	4.57	3.53	3.46	3.00	2.44
Max	259	8.6	185	3440	1440	171	93	18	4.8	7.7	20	13
Min	.33	.13	.16	.07	.73	.94	.93	2.1	1.4	2.8	1.9	1.9
Acre-Ft	1200	61	1040	22090	14080	1300	519	281	210	213	184	145
Wtr Year 2005	Total	20835.60	Mean	57.1	Max	3440	Min	.07	Acre-Ft	41330		
Cal Year 2004	Total	1890.64	Mean	5.19	Max	259	Min	.13	Acre-Ft	3750		

RUNOFF - DAILY DISCHARGE

Los Angeles County Dept of Public Works

USDAY V43 Output 06/14/2006

Summary Report

Site: F122 Pallet Creek at Big Rock Creek Near Valyermo
 USGS #:
 Beginning Date: 10/01/2004
 Ending Date: 09/30/2005

Daily Mean Discharge in Cubic feet/second Water Year Oct 2004 to Sep 2005

Day	OCT	NOV	DEC	JAN	FEB	MAR	APR	MAY	JUN	JUL	AUG	SEP
1		0	0	3.0*	8.2*	35*	15	12	7.0*	4.1	2.5	1.6
2	0	0	0	1.5*	8.0*	32*	14	13	6.9*	4.1	2.6	1.6
3	0	0	0	.80*	7.8*	29*	14	13	6.8*	4.1	2.7	1.6
4	0	0	0	.50*	7.6*	30*	14	13	6.7*	4.0	2.7	1.5
5	0	0	.02	.70*	7.5*	32*	14	14	6.6*	3.9	2.8	1.5
6	0	0	.04	.72	7.1*	28*	14	16	6.5*	3.8	2.7	1.5
7	0	0	.03	1.1	7.0*	25*	15	14	6.4*	3.8	2.4	1.5
8	0	0	.04	.20	7.0	25	15	13	6.3*	3.8	2.3	1.5
9	0	0	.05	280*	7.0	25	14	13	6.2*	3.8	2.2	1.5
10	0	0	.07	300*	7.0	27	13	13	6.1*	3.8	2.2	1.5
11	0	0	.09	245*	123	28	13	12	6.0*	3.8	2.2	1.7
12	0	0	.09	55*	148	29	13	12	5.9*	3.6	2.1	1.7
13	0	0	.09	40*	53*	31	14	12	5.8*	3.6	2.1	1.7
14	0	0	.10	25*	36*	29	14	12	5.7*	3.5	2.1	1.7
15	0	0	.12	16*	25*	25	14	12	5.6*	3.5	2.5	1.7
16	0	0	.13	13*	20*	23	13	12	5.5*	3.4	2.3	1.7
17	0	0	.17	12*	30*	21	14	12	5.4*	3.2	2.1	1.7
18	0	0	.17	11*	68*	21	15	11	5.3*	3.2	2.0	1.7
19	0	0	.19	10*	110*	19	14	11	5.2*	3.2	2.0	1.7
20	4.2	0	.19	10*	105*	18	14	11	5.1*	3.2	1.9	2.1
21	0	0	.17	9.7*	190*	18	13	11*	5.0	3.0	1.9	1.9
22	0	0	.18	9.3*	130*	21	13	11*	4.8	2.9	1.9	1.8
23	0	0	.20	8.6*	95*	20	13	10*	4.7	3.0	1.8	1.7
24	0	0	.20	8.2*	91	18	13	10*	4.6	3.0	1.8	1.6
25	0	0	.20	7.9*	67	17*	13	10*	4.6	2.8	1.8	1.6
26	0	0	.20	7.4*	60	16*	13	10*	4.5	2.7	1.8	1.6
27	10	0	.22	7.0*	54	16*	13	9.5*	4.4	2.7	1.7	1.6
28	0	0	.13	9.5*	45*	15*	17	9.0*	4.4	2.5	1.7	1.6
29	0	0	.38	9.0*	-----	15*	14	8.5*	4.4	2.6	1.7	1.5
30	0	0	.10*	8.8*	-----	14*	13	8.0*	4.2	2.6	1.7	1.5
31	0	-----	5.0*	8.5*	-----	14*	-----	7.5*	-----	2.7	1.6	-----
Total	14.2	0	68.96	1139.22	1524.2	716	415	355.5	166.6	103.9	65.8	49.1
Mean	.47	0	2.22	36.7	54.4	23.1	13.8	11.5	5.55	3.35	2.12	1.64
Max	10	0	38	300	190	35	17	16	7.0	4.1	2.8	2.1
Min	0	0	0	.50	7.0	14	13	7.5	4.2	2.5	1.6	1.5
Acre-Ft	28	0	137	2260	3020	1420	823	705	330	206	131	97
Wtr Year 2005	Total	4618.48	Mean	12.7	Max	300	Min	0	Acre-Ft	9160		
Cal Year 2004	Total	123.61	Mean	.34	Max	38	Min	0	Acre-Ft	245		

RUNOFF - DAILY DISCHARGE

Los Angeles County Dept of Public Works

USDAY V43 Output 06/14/2006

Summary Report

Site: F192B Rio Hondo Below Lower Azusa Road
 USGS #:
 Beginning Date: 10/01/2004
 Ending Date: 09/30/2005

Daily Mean Discharge in Cubic feet/second Water Year Oct 2004 to Sep 2005

Day	OCT	NOV	DEC	JAN	FEB	MAR	APR	MAY	JUN	JUL	AUG	SEP
1	0	0	0	0	0	174	0	216	0	24	0	0
2	0	0	0	0	0	250	.61	217	0	22	0	0
3	0	0	0	0	0	202	0	216	362	16	0	0
4	0	0	0	0	0	491	0	113	380	10	0	0
5	0	.16	5.2	0	0	428	0	2.7	384	6.5	0	0
6	0	.27	.30	0	39	389	0	7.0	392	4.5	0	0
7	0	.38	.12	0	27	479	0	101	397	2.3	0	0
8	0	.50	.60	0	6.3	822	0	117	321	.74	0	0
9	0	0	.04	0	0	1020	0	344	154	.56	0	0
10	0	0	.07	0	8.0	932	.29	256	200	.08	.06	0
11	0	0	.02	0	232	642	.44	344	201	1.3	0	0
12	0	0	.10	0	70	638	.40	297	201	1.5	0	0
13	0	0	.18	0	111	642	.08	94	188	1.5	0	0
14	0	0	0	0	20	688	88	89	125	1.8	.08	0
15	0	0	0	0	0	733	161	74	120	1.3	.07	0
16	0	0	0	0	0	654	160	149	116	.51	0	0
17	15	0	0	0	29	664	154	251	106	.10	0	0
18	5.2	0	0	0	203	873	157	302	78	0	0	0
19	3.9	0	0	0	1090	780	155	315	75	0	0	.01
20	55	6.2	0	0	912	572	155	105	97	.05	0	2.8
21	.48	6.2	0	0	1310	526	157	89	94	0	0	.39
22	.06	.01	0	0	1020	316	161	35	88	0	0	.04
23	.02	0	0	0	758	45	161	26	108	0	0	0
24	0	0	0	0	497	8.9	159	14	129	0	0	0
25	0	.04	0	0	446	.63	154	.76	123	0	0	0
26	25	.05	0	0	469	0	144	0	118	0	0	0
27	14	5.5	0	0	360	0	163	0	110	0	0	0
28	.28	.42	0	0	224	.05	122	0	122	.02	0	0
29	0	0	0	0	-----	0	.20	0	76	0	0	0
30	0	0	0	0	-----	0	163	0	38	0	0	0
31	0	-----	0	0	-----	0	-----	.03	-----	0	0	-----
Total	118.94	19.73	6.63	0	7831.3	12969.58	2416.02	3774.49	4903	94.76	0.21	3.24
Mean	3.84	.66	.21	0	280	418	80.5	122	163	3.06	.007	.11
Max	55	6.2	5.2	0	1310	1020	163	344	397	24	.08	2.8
Min	0	0	0	0	0	0	0	0	0	0	0	0
Acre-Ft	236	39	13	0	15530	25720	4790	7490	9720	188	.4	6.4
Wtr Year 2005	Total	32137.90	Mean	88.0	Max	1310	Min	0	Acre-Ft	63740		
Cal Year 2004	Total	581.69	Mean	1.59	Max	62	Min	0	Acre-Ft	1150		

RUNOFF - DAILY DISCHARGE

Los Angeles County Dept of Public Works

USDAY V43 Output 06/14/2006

Summary Report

Site: F45B Rio Hondo Above Steward and Gray Road
 USGS #:
 Beginning Date: 10/01/2004
 Ending Date: 09/30/2005

Daily Mean Discharge in Cubic feet/second Water Year Oct 2004 to Sep 2005

Day	OCT	NOV	DEC	JAN	FEB	MAR	APR	MAY	JUN	JUL	AUG	SEP
1	.58	.09	.02	16	.12	.37	2.6	.14	.35	.06	.06	.05
2	.13	.05	.02	205	.28	1.5	2.3	.12	.38	.06	.06	.05
3	.32	.06	.02	678	5.1	7.1	2.3	.13	.18	.05	.07	.05
4	.89	.05	.02	71	1.9	.93	2.0	.12	.15	.05	.07	.04
5	1.0	.04	.37	45	2.9	139	2.1	.18	.16	.05	.06	.04
6	.88	.05	2.2	149	16	200	2.1	.39	.14	.05	.06	.05
7	.86	.08	.17	1260	7.6	245	2.2	.39	.13	.05	.08	.05
8	1.1	.45	6.5	3720	9.0	485	2.2	.16	.11	.05	.06	.04
9	.12	.18	.13	22400	11	704	.46	.14	.11	.05	.19	.04
10	.07	.06	.06	20900	14	652	2.3	.13	.27	.05	.06	.05
11	.56	.06	.11	17500	2280	345	5.3	.08	.14	.06	.05	.04
12	.69	.06	.11	4160	973	414	11	.08	.12	.06	.05	.04
13	.75	.12	.07	2160	78	400	8.8	.08	.11	.06	.05	.04
14	.42	.09	.06	1490	37	423	6.6	.08	.08	.05	.05	.04
15	.06	.12	.21	310	42	554	2.8	.07	.07	.05	.05	.03
16	1.7	.08	.05	259	48	662	2.1	.08	.07	.05	.05	.04
17	268	.05	.04	12	152	473	1.7	.13	.10	.08	.05	.04
18	89	.07	.09	14	930	384	1.5	.07	.07	.06	.05	.04
19	2.2	.06	.06	3.4	11600	736	1.2	.07	.06	.05	.05	.04
20	3770	.11	.04	.29	10400	535	1.3	.07	.06	.07	.06	12
21	4.7	.72	.06	.05	16700	186	.67	.07	.06	.06	.06	1.9
22	.24	.21	.04	.21	7790	1780	.53	.07	.06	.06	.06	.05
23	.08	.04	.03	.19	4650	497	.53	.06	.06	.06	.16	.09
24	.14	.04	.02	.12	1450	83	.98	.38	.06	.05	.05	.05
25	.12	.09	.02	.13	545	85	.33	1.3	.06	.07	.05	.04
26	196	.12	.03	1.2	241	60	.22	.50	.06	.06	.05	.04
27	525	.12	8.5	.19	167	91	.19	.77	.06	.06	.05	.05
28	26	1.2	882	20	.20	63	401	.53	.06	.08	.05	.05
29	.67	.29	2350	.38	-----	3.5	.92	.11	.06	.07	.05	.05
30	.15	.03	3.5	4.4	-----	2.8	.18	.07	.06	.05	.05	.05
31	.21	-----	1900	.34	-----	2.7	-----	.14	-----	.05	.05	-----
Total	4892.64	87.95	5191.18	75379.90	58151.10	10306.97	513.95	45.32	3.46	1.78	1.96	15.18
Mean	158	2.93	167	2432	2077	332	17.1	1.46	.12	.057	.063	.51
Max	3770	.72	2350	22400	16700	1780	401	.39	.38	.08	.19	12
Min	.06	.03	.02	.05	.12	.37	.18	.06	.06	.05	.05	.03
Acre-Ft	9700	174	10300	149500	115300	20440	1020	90	6.9	3.5	3.9	30
Wtr Year 2005	Total	154591.39	Mean	424	Max	22400	Min	.02	Acre-Ft	306600		
Cal Year 2004	Total	16057.85	Mean	43.9	Max	4760	Min	.02	Acre-Ft	31850		

RUNOFF - DAILY DISCHARGE

Los Angeles County Dept of Public Works

USDAY V43 Output 06/14/2006

Summary Report

Site: F313B Rio Hondo Bypass Channel Above Whittier Narrows
 USGS #:
 Beginning Date: 10/01/2004
 Ending Date: 09/30/2005

Daily Mean Discharge in Cubic feet/second Water Year Oct 2004 to Sep 2005

Day	OCT	NOV	DEC	JAN	FEB	MAR	APR	MAY	JUN	JUL	AUG	SEP
1	0	50	131	0	0	0	124	0	0	0	0	0
2	0	32	150	0	0	0	123	0	0	0	0	0
3	0	34	148	0	0	0	124	0	0	0	0	0
4	0	45	147	0	0	0	59	0	0	0	0	0
5	0	124	106	0	0	0	0	0	0	0	0	0
6	0	124	99	0	0	0	0	0	0	0	0	0
7	0	124	167	0	0	0	0	0	0	0	0	0
8	0	103	165	0	33	0	0	0	0	0	0	0
9	0	114	180	0	89	0	0	0	0	0	0	0
10	0	140	173	0	92	0	0	0	0	0	0	0
11	0	136	192	0	18	0	0	0	0	0	0	0
12	0	136	191	0	0	0	0	0	0	0	0	0
13	0	136	188	0	0	0	0	0	0	0	0	0
14	16	131	188	0	0	0	0	0	0	0	0	0
15	22	134	184	0	0	0	0	0	0	0	0	0
16	21	139	178	0	0	0	0	0	0	0	0	0
17	2.9	139	173	0	0	0	0	0	0	0	0	0
18	36	135	34	0	0	0	0	0	0	0	0	0
19	0	134	0	0	0	0	0	0	0	0	0	0
20	0	132	103	0	0	0	0	0	0	0	0	0
21	0	21	185	0	.27	0	0	0	0	0	0	0
22	0	24	174	0	0	0	0	0	0	0	0	0
23	0	141	174	0	0	0	0	0	0	0	0	0
24	0	139	179	0	0	40	0	0	0	0	0	0
25	44	136	169	0	0	146	0	0	0	0	0	0
26	105	125	163	0	0	118	0	0	0	0	0	0
27	.54	121	109	0	0	111	0	0	0	0	0	0
28	100	76	.21	27	0	132	0	0	0	0	0	0
29	57	70	0	81	-----	160	0	0	0	0	0	0
30	55	114	0	0	-----	146	0	0	0	0	0	0
31	51	-----	0	0	-----	136	-----	0	-----	0	-----	0
Total	510.44	3209	4050.21	108	232.27	989	430	0	0	0	0	0
Mean	16.5	107	131	3.48	8.30	31.9	14.3	0	0	0	0	0
Max	105	141	192	81	92	160	124	0	0	0	0	0
Min	0	21	0	0	0	0	0	0	0	0	0	0
Acre-Ft	1010	6360	8030	214	461	1960	853	0	0	0	0	0
Wtr Year 2005	Total	9528.92	Mean	26.1	Max	192	Min	0	Acre-Ft	18900		
Cal Year 2004	Total	19972.53	Mean	54.6	Max	192	Min	0	Acre-Ft	39610		

RUNOFF - DAILY DISCHARGE

Los Angeles County Dept of Public Works

USDAY V43 Output 06/14/2006

Summary Report

Site: F338 Rubio Diversion Channel Below Gooseberry Canyon Inlet
 USGS #:
 Beginning Date: 10/01/2004
 Ending Date: 09/30/2005

Daily Mean Discharge in Cubic feet/second Water Year Oct 2004 to Sep 2005

Day	OCT	NOV	DEC	JAN	FEB	MAR	APR	MAY	JUN	JUL	AUG	SEP
1	.09	.75	1.7	.71	1.5	0	6.7	1.7	1.6	.40	1.3	.47
2	0	.14	1.6	.58	1.5	0	5.3	3.5	1.6	.40	1.3	.47
3	0	.24	1.5	.27	1.5	0	4.3	1.1	1.6	.40	1.2	.46
4	.10	.33	1.4	.64	1.5	0	2.8	1.4	1.6	.40	1.1	.46
5	.10	.43	1.3	.82	1.5	0	1.7	1.5	1.6	.40	.89	.45
6	.01	.53	.99	.58	1.5	0	1.4	1.7	1.6	.40	.80	.44
7	.02	.62	.88	.32	1.5	0	1.4	1.6	1.6	.40	.74	.44
8	0	.93	.77	.16	1.5	2.2	1.4	1.6	1.6	.40	.67	.43
9	0	1.2	.66	.68	1.5	4.6	1.4	1.6	1.5	.40	.61	.43
10	0	1.3	.55	9.3	1.6	4.0	1.4	1.6	1.5	.40	.59	.42
11	0	1.4	.43	3.1	1.6	3.4	1.4	1.6	1.4	.40	.59	.42
12	.03	1.5	.32	2.1	1.6	2.8	1.4	1.6	1.2	.40	.58	.41
13	0	1.6	.22	1.9	1.6	2.3	1.4	1.6	1.0	.48	.58	.41
14	0	1.7	.20	1.7	1.7	1.9	1.4	1.6	.97	.60	.57	.40
15	0	1.6	.20	1.7	1.6	1.8	1.4	1.6	.90	.60	.57	.39
16	.16	1.5	.20	1.7	1.6	1.8	1.4	1.6	.83	1.7	.56	.38
17	1.0	1.4	.20	1.7	1.6	1.8	1.4	1.6	.75	.60	.56	.37
18	.73	1.3	.20	1.7	1.6	1.6	1.4	1.6	.68	.60	.55	.36
19	10	1.2	.20	1.7	.75	1.7	1.4	1.6	.61	.64	.54	.35
20	13	1.2	.20	1.7	.01	1.7	1.4	1.6	.54	.60	.54	.34
21	2.3	1.1	.20	1.5	.41	1.8	1.4	1.6	.46	.60	.53	.33
22	1.6	.97	.20	1.4	.20	2.7	1.4	1.6	.41	.74	.53	.32
23	1.6	.88	.20	1.4	.20	4.3	1.4	1.6	.40	.80	.52	.31
24	1.6	.79	.20	1.4	.19	4.8	1.4	1.6	.40	.80	.52	.30
25	1.6	.70	.16	1.4	0	7.4	1.4	1.6	.40	.65	.51	.29
26	3.7	.61	0	1.4	0	7.4	1.4	2.1	.40	.54	.51	.28
27	2.4	.66	.16	1.4	0	7.4	1.4	1.6	.40	.97	.50	.27
28	1.7	.63	3.1	1.4	0	7.4	1.8	1.6	.40	1.6	.49	.26
29	1.5	.54	5.2	1.4	-----	8.1	1.8	1.6	.40	1.5	.49	.25
30	1.4	1.1	1.2	1.4	-----	7.9	1.8	1.6	.40	1.5	.48	.24
31	1.4	-----	.43	1.5	-----	7.4	-----	1.6	-----	1.4	.48	-----
Total	46.04	28.85	24.77	131.82	29.76	98.2	57.0	51.4	28.75	21.72	20.40	11.15
Mean	1.49	.96	.80	4.25	1.06	3.17	1.90	1.66	.96	.70	.66	.37
Max	13	1.7	5.2	.68	1.7	8.1	6.7	3.5	1.6	1.7	1.3	.47
Min	0	.14	0	.27	0	0	1.4	1.1	.40	.40	.48	.24
Acre-Ft	91	57	49	261	59	195	113	102	57	43	40	22
Wtr Year 2005	Total	549.86	Mean	1.51	Max	68	Min	0	Acre-Ft	1090		
Cal Year 2004	Total	129.45	Mean	.35	Max	13	Min	0	Acre-Ft	257		

RUNOFF - DAILY DISCHARGE

Los Angeles County Dept of Public Works

USDAY V43 Output 06/14/2006

Summary Report

Site: F82C Rubio Wash at Glendon Way
 USGS #:
 Beginning Date: 10/01/2004
 Ending Date: 09/30/2005

Daily Mean Discharge in Cubic feet/second Water Year Oct 2004 to Sep 2005

Day	OCT	NOV	DEC	JAN	FEB	MAR	APR	MAY	JUN	JUL	AUG	SEP
1	.72	.34	1.8	2.0	1.0	1.3	.17	.30	.63	.50	.68	.73
2	.97	.24	1.8	53	.19	2.5	.18	.40	.77	.54	.65	.69
3	.71	.25	1.6	54	.16	2.9	.21	.35	.56	.45	.68	.67
4	.78	.57	1.5	9.3	.14	48	1.1	.41	.57	.58	.69	.59
5	.73	.43	11	1.9	.55	.36	1.0	4.4	.57	.55	.72	.59
6	.74	.31	1.9	1.8	1.7	.09	.32	1.6	.45	.50	.66	.60
7	.74	.24	2.1	104	.79	.24	.36	.58	.50	.54	.59	.53
8	.90	.66	2.0	219	.73	.48	.37	.38	.50	.54	.53	.67
9	.72	.45	1.9	466	.32	.24	.34	.37	.58	.61	.56	.59
10	.64	.48	1.8	290	.60	.33	.31	.61	.58	.60	.47	.63
11	.70	.46	1.8	38	156	.35	.41	.36	.52	.67	.62	.59
12	.76	.42	1.8	2.4	9.6	.26	.40	.38	.59	.63	.63	.72
13	.72	.38	2.3	1.9	.38	.59	.41	.34	.58	.67	.74	.96
14	.72	.29	2.1	1.8	.27	.56	.42	.48	.63	.75	.66	.90
15	.74	.44	2.0	1.8	.18	.27	.44	.69	.52	.77	.98	.74
16	6.1	.50	1.9	1.8	.27	.24	.42	.53	.53	.78	.82	.58
17	44	1.5	1.9	1.7	11	.35	.56	.63	.54	.61	.84	.30
18	25	2.6	1.8	2.0	54	5.4	1.2	.56	.50	.70	.94	.30
19	156	2.0	1.8	1.8	330	.80	1.1	.61	.50	.68	.86	.62
20	302	.24	1.9	1.6	136	.99	.46	.50	.50	.64	.82	5.8
21	.87	.20	2.4	.22	189	.38	.39	.48	.44	.57	.72	1.7
22	.59	2.1	2.7	.30	78	.74	.54	.39	.50	.56	.58	.66
23	.32	2.0	2.0	.24	49	.77	.60	.57	.50	.53	.78	.35
24	1.0	2.2	2.0	.75	.57	.54	.71	.59	.50	.61	.62	.33
25	.66	2.1	2.0	.29	.38	.26	.49	.72	.52	.60	.69	.39
26	136	2.0	2.0	11	.34	.17	.53	.64	.49	.74	.56	.30
27	64	.12	8.1	.65	.19	.08	.45	.64	.45	.64	.67	.34
28	1.4	2.0	354	8.5	.61	1.3	.56	.59	.53	.74	.80	.34
29	.50	1.8	147	.34	-----	.22	.36	.78	.61	.64	.80	.25
30	.30	1.8	2.0	.13	-----	.26	.41	.53	.57	.66	.71	.33
31	.21	-----	.97	1.4	-----	.21	-----	.65	-----	.64	.78	-----
Total	750.24	84.56	667.9	1279.62	1021.97	144.44	70.66	21.06	16.23	19.24	21.85	22.79
Mean	24.2	2.82	21.5	41.3	36.5	4.66	2.36	.68	.54	.62	.70	.76
Max	302	24	354	466	330	74	56	4.4	.77	.78	.98	5.8
Min	.21	.24	1.5	.13	.14	.08	.17	.30	.44	.45	.47	.25
Acre-Ft	1490	168	1320	2540	2030	286	140	42	32	38	43	45
Wtr Year 2005	Total	4120.56	Mean	11.3	Max	466	Min	.08	Acre-Ft	8170		
Cal Year 2004	Total	2641.10	Mean	7.22	Max	354	Min	.21	Acre-Ft	5240		

RUNOFF - DAILY DISCHARGE

Los Angeles County Dept of Public Works

USDAY V43 Output 06/14/2006

Summary Report

Site: F303 San Dimas Creek Below San Dimas Dam
 USGS #:
 Beginning Date: 10/01/2004
 Ending Date: 09/30/2005

Daily Mean Discharge in Cubic feet/second Water Year Oct 2004 to Sep 2005

Day	OCT	NOV	DEC	JAN	FEB	MAR	APR	MAY	JUN	JUL	AUG	SEP
1	.53	.16	.12	.49	36	66	22	31	23	9.8	5.7	.91
2	.53	.19	.10	.40	35	30	22	27	15	9.8	4.0	.86
3	.53	.20	.08	.59	35	27	21	24	12	9.8	1.7	.81
4	.48	.20	.05	.53	35	59	21	24	12	9.8	1.1	.77
5	.49	.17	.04	.43	34	89	21	24	12	9.9	1.2	.72
6	.55	.16	.02	.81	29	81	20	24	12	10	1.4	16
7	.64	.12	.0	117	25	59	20	23	11	10	1.5	25
8	.68	.12	.08	133	22	43	20	23	11	10	1.4	19
9	.71	.11	.16	1110	19	40	20	23	12	10	1.7	16
10	.81	.08	.13	715	19	41	19	23	9.9	9.9	1.9	16
11	.70	.11	.12	898	20	41	19	23	8.7	9.8	1.7	15
12	.58	.24	.12	322	19	42	18	23	8.6	9.8	1.6	14
13	.37	.21	.12	174	34	42	17	23	9.1	9.8	.06	14
14	.42	.19	.12	216	54	42	16	23	9.8	9.8	.0	14
15	.31	.16	.12	246	44	23	16	23	9.8	9.8	.84	14
16	.31	.12	.12	175	38	13	15	23	9.8	9.8	1.1	13
17	1.1	.12	.12	86	37	15	15	23	9.8	9.8	.31	13
18	1.2	.09	.12	63	37	32	15	11	9.8	9.8	.0	13
19	.65	.08	.12	62	169	44	33	6.1	9.8	13	.0	13
20	.83	.08	.12	61	405	42	32	7.9	9.8	14	.02	13
21	.24	.55	.17	61	562	41	34	8.7	9.8	14	.04	12
22	.20	.39	.20	49	454	36	36	8.7	9.8	14	.25	12
23	.15	.36	.20	41	431	47	35	8.7	9.8	14	.42	12
24	.12	.31	.20	39	307	56	35	18	9.8	14	.47	12
25	.10	.28	.18	39	195	36	35	23	9.8	14	.54	12
26	.34	.25	.16	39	157	4.1	34	23	9.8	14	.61	11
27	.60	.24	.15	39	131	3.8	34	23	9.8	13	.69	11
28	.29	.22	.99	37	118	3.3	33	23	9.8	11	.76	11
29	.21	.19	1.3	37	-----	10	33	23	9.8	6.7	.82	11
30	.18	.15	.57	37	-----	22	32	23	9.8	6.7	.89	11
31	.16	-----	.80	36	-----	23	-----	23	-----	6.7	.93	-----
Total	15.01	5.85	6.90	4915.44	3501	1117.2	743	637.1	322.9	332.5	33.65	347.07
Mean	.48	.20	.22	159	125	37.2	24.8	20.6	10.8	10.7	1.09	11.6
Max	1.2	.55	1.3	1110	562	89	36	31	23	14	5.7	25
Min	.10	.08	.0	.40	.19	3.3	15	6.1	8.6	6.7	.0	.72
Acre-Ft	30	12	14	9750	6940	2220	1470	1260	640	660	67	688
Wtr Year 2005	Total	11977.62	Mean	32.9	Max	1110	Min	0	Acre-Ft	23760		
Cal Year 2004	Total	677.11	Mean	1.85	Max	25	Min	0	Acre-Ft	1340		

RUNOFF - DAILY DISCHARGE

Los Angeles County Dept of Public Works

USDAY V43 Output 06/14/2006

Summary Report

Site: F218 San Dimas Wash Below Puddingstone Diversion Dam
 USGS #:
 Beginning Date: 10/01/2004
 Ending Date: 09/30/2005

Daily Mean Discharge in Cubic feet/second Water Year Oct 2004 to Sep 2005

Day	OCT	NOV	DEC	JAN	FEB	MAR	APR	MAY	JUN	JUL	AUG	SEP
1	0	0	.21	0	0	8.5	20	27	19	4.0	3.8	0
2	0	12	.11	0	0	21	21	27	15	4.2	.83	0
3	0	16	.11	0	0	21	21	27	10	5.4	.51	0
4	0	2.8	.11	0	0	21	21	26	10	7.1	.37	0
5	0	.72	.11	0	0	22	25	25	9.9	6.9	.29	0
6	0	.52	.11	0	0	22	27	25	9.7	6.8	.16	0
7	0	.32	.11	0	4.6	21	26	24	9.5	6.7	.11	6.0
8	0	.09	.06	0	7.9	21	25	23	9.3	6.6	.11	10
9	0	0	0	0	7.9	22	25	23	5.9	6.6	.04	10
10	0	0	0	0	7.9	22	24	22	.15	6.6	0	10
11	0	0	0	0	8.1	22	23	21	.12	6.6	0	10
12	0	0	0	0	.24	22	14	20	.09	6.8	0	10
13	0	0	0	0	0	22	18	20	.06	6.7	0	10
14	0	0	0	0	0	22	25	19	.02	6.4	0	10
15	0	0	0	0	0	22	24	18	5.1	4.1	0	10
16	0	0	0	0	0	22	21	19	7.5	.11	0	10
17	0	0	0	0	0	21	18	19	7.5	.10	0	9.9
18	0	0	0	0	0	8.2	18	15	7.2	6.8	0	9.7
19	0	0	0	0	.08	0	22	.94	6.8	10	0	9.6
20	.16	0	0	0	.04	0	26	.59	6.1	8.5	0	9.4
21	.01	1.3	0	0	.09	0	28	.55	5.7	7.9	0	9.2
22	0	.33	0	0	.02	0	28	1.1	5.4	7.9	0	9.1
23	0	.31	0	0	.02	0	29	1.2	5.1	8.1	0	8.9
24	0	.24	0	0	0	10	28	16	3.3	8.1	0	8.7
25	0	.11	0	0	0	24	27	19	3.0	8.1	0	8.5
26	0	.11	0	0	0	21	27	19	2.9	8.1	0	8.4
27	.04	.11	0	0	0	13	27	19	2.8	8.3	0	8.3
28	0	.21	0	0	0	3.4	27	19	2.8	8.3	0	8.2
29	0	.22	0	0	-----	7.4	27	19	3.1	7.9	0	8.1
30	0	.22	0	0	-----	16	27	19	3.7	7.4	0	8.1
31	0	-----	0	0	-----	18	-----	19	-----	6.4	0	-----
Total	0.21	35.61	0.93	0	36.89	475.5	719	553.38	176.74	203.51	6.22	220.1
Mean	.007	1.19	.030	0	1.32	15.3	24.0	17.9	5.89	6.56	.20	7.34
Max	.16	16	.21	0	8.1	24	29	27	19	10	3.8	10
Min	0	0	0	0	0	0	14	.55	.10	.10	0	0
Acre-Ft	.4	71	1.8	0	73	943	1430	1100	351	404	12	437
Wtr Year 2005	Total	2428.09	Mean	6.65	Max	29	Min	0	Acre-Ft	4820		
Cal Year 2004	Total	533.45	Mean	1.46	Max	23	Min	0	Acre-Ft	1060		

RUNOFF - DAILY DISCHARGE

Los Angeles County Dept of Public Works

USDAY V43 Output 06/14/2006

Summary Report

Site: F190 San Gabriel River at Foothill Boulevard
 USGS #:
 Beginning Date: 10/01/2004
 Ending Date: 09/30/2005

Daily Mean Discharge in Cubic feet/second Water Year Oct 2004 to Sep 2005

Day	OCT	NOV	DEC	JAN	FEB	MAR	APR	MAY	JUN	JUL	AUG	SEP
1	0	79	33	49	1150	742	652	577	152	266	50	110
2	0	75	44	39	1130	739	659	558	426	83	49	59
3	0	76	46	42	1020	784	659	589	390	11	50	60
4	0	70	51	37	873	876	668	266	383	17	51	61
5	0	73	51	104	846	869	470	330	358	288	229	61
6	0	77	53	204	850	891	712	495	354	410	299	95
7	0	81	30	283	844	1030	616	568	356	191	302	110
8	0	85	18	3050	854	1040	613	568	354	65	312	110
9	0	88	56	11300	852	1030	710	563	350	65	304	110
10	0	88	10	15300	830	1010	721	628	355	64	296	110
11	0	56	21	13700	870	1020	423	676	355	63	301	110
12	0	41	38	7250	879	1010	92	610	351	67	299	109
13	0	43	40	7880	911	1020	431	518	261	64	297	106
14	0	42	60	6360	937	689	717	512	168	61	298	106
15	0	41	87	4040	973	936	728	508	173	61	149	106
16	0	42	88	2650	957	756	736	598	172	61	64	134
17	0	45	89	2580	955	711	723	647	264	65	18	169
18	0	24	93	2370	1100	1160	717	664	167	66	112	169
19	0	12	91	1730	2150	1440	718	626	162	66	182	138
20	145	14	91	1340	6340	934	721	537	164	65	192	119
21	22	21	100	934	10600	662	721	502	167	60	193	47
22	17	52	101	968	8930	716	721	492	165	61	182	90
23	20	60	84	950	7220	773	714	492	165	58	175	166
24	16	56	81	937	6300	825	704	414	165	58	115	228
25	16	57	82	962	3260	758	693	341	165	53	235	225
26	30	50	69	927	2070	667	717	341	166	53	274	377
27	102	55	31	1230	1840	667	917	338	165	52	264	450
28	48	47	45	1470	1250	667	484	335	164	52	265	450
29	40	54	123	1440	-----	667	639	342	243	52	253	440
30	22	35	65	1330	-----	668	744	341	276	52	248	466
31	31	-----	74	1150	-----	666	-----	101	-----	50	250	-----
Total	509	1639	1927.18	92606	66791	26423	19540	15077	7556	2700	6308	5091
Mean	16.4	54.6	62.2	2987	2385	852	651	486	252	87.1	203	170
Max	145	88	123	15300	10600	1440	917	676	426	410	312	466
Min	0	12	18	37	830	662	92	101	152	11	18	47
Acre-Ft	1010	3250	3820	183700	132500	52410	38760	29900	14990	5360	12510	10100
Wtr Year 2005	Total	246167.18	Mean	674	Max	15300	Min	0	Acre-Ft	488300		
Cal Year 2004	Total	14542.61	Mean	39.7	Max	351	Min	0	Acre-Ft	28840		

RUNOFF - DAILY DISCHARGE

Los Angeles County Dept of Public Works

USDAY V43 Output 06/14/2006

Summary Report

Site: F209 San Gabriel River - West Fork Below Cogswell Dam
 USGS #:
 Beginning Date: 10/01/2004
 Ending Date: 09/30/2005

Daily Mean Discharge in Cubic feet/second Water Year Oct 2004 to Sep 2005

Day	OCT	NOV	DEC	JAN	FEB	MAR	APR	MAY	JUN	JUL	AUG	SEP
1	2.1	10	9.3	95	123	144	82	57	34	34	90	27
2	2.0	10	9.3	301	118	147	82	55	34	34	91	27
3	2.0	10	9.3	415	116	152	82	55	34	34	91	27
4	2.0	10	9.3	406	115	155	82	54	34	34	90	27
5	2.0	9.8	9.6	394	114	158	48	60	34	34	49	27
6	2.0	9.6	10	378	113	160	32	76	34	34	31	27
7	2.0	9.6	10	369	78	162	32	69	34	34	31	26
8	1.9	9.6	11	1050	93	164	32	61	34	33	75	26
9	1.8	9.5	11	3220	93	141	32	56	34	33	95	26
10	1.8	9.3	11	3210	92	101	32	52	34	33	97	26
11	1.6	9.3	12	3070	94	101	32	49	34	31	97	26
12	1.6	9.3	12	1220	98	102	32	47	34	29	51	26
13	1.6	9.3	12	865	214	78	34	45	34	30	31	26
14	1.6	9.3	12	798	330	66	42	45	34	30	30	25
15	1.6	9.0	12	779	325	66	44	43	34	30	30	24
16	1.6	9.0	12	581	319	66	65	43	34	30	29	24
17	1.7	9.3	12	425	313	67	69	43	34	30	29	24
18	1.6	9.3	12	418	320	115	65	42	34	30	29	24
19	3.4	9.3	12	408	1470	121	58	67	34	30	29	24
20	16	9.5	12	397	1970	87	65	49	34	30	29	24
21	9.3	9.9	12	215	2980	90	60	39	34	30	29	24
22	9.0	9.9	12	125	2510	102	51	38	34	30	29	24
23	9.3	9.9	11	125	1500	158	52	38	34	31	29	24
24	9.1	9.9	11	125	1010	144	54	37	34	31	29	24
25	8.5	9.9	11	125	775	87	54	36	34	31	28	23
26	9.1	9.9	11	125	662	87	52	36	34	31	28	23
27	12	9.7	11	125	533	87	55	39	34	31	28	23
28	11	9.6	17	124	301	87	81	34	34	69	28	23
29	11	9.4	32	123	-----	87	71	34	34	89	27	23
30	10	9.3	26	121	-----	87	62	34	34	90	27	23
31	10	-----	31	121	-----	85	-----	34	-----	90	27	-----
Total	160.2	287.4	404.8	20253	16779	3454	1634	1467	1020	1190	1433	747
Mean	5.17	9.58	13.1	653	599	111	54.5	47.3	34.0	38.4	46.2	24.9
Max	16	10	32	3220	2980	164	82	76	34	90	97	27
Min	1.6	9.0	9.3	95	78	66	32	34	34	29	27	23
Acre-Ft	318	570	803	40170	33280	6850	3240	2910	2020	2360	2840	1480
Wtr Year 2005	Total	48829.4	Mean	134	Max	3220	Min	1.6	Acre-Ft	96850		
Cal Year 2004	Total	3210.62	Mean	8.77	Max	34	Min	.76	Acre-Ft	6370		

RUNOFF - DAILY DISCHARGE

Los Angeles County Dept of Public Works

USDAY V43 Output 06/14/2006

Summary Report

Site: F262C San Gabriel River Above Firestone Ave.
 USGS #:
 Beginning Date: 10/01/2004
 Ending Date: 09/30/2005

Daily Mean Discharge in Cubic feet/second Water Year Oct 2004 to Sep 2005

Day	OCT	NOV	DEC	JAN	FEB	MAR	APR	MAY	JUN	JUL	AUG	SEP
1	0	0	0	24	53	85	0	0	0	0	0	0
2	0	0	0	35	40	3.2	0	0	.01	0	0	0
3	0	0	0	75	29	2.5	0	0	.02	0	0	0
4	0	0	0	28	23	3.5	0	1.0	.02	0	0	0
5	0	0	0	1.9	43	22	0	.01	.03	0	0	0
6	0	0	0	1.8	62	27	0	.71	.04	0	0	0
7	0	0	0	358	51	25	0	0	.04	0	0	0
8	0	0	0	639	35	22	0	0	.05	0	0	0
9	0	0	0	2020	8.3	2.2	0	0	.06	0	0	0
10	0	0	0	4360	2.0	0	0	0	.06	0	0	0
11	0	0	0	4340	19	0	23	0	.07	0	0	0
12	0	0	0	4110	149	0	15	0	.02	0	0	0
13	0	0	0	3620	100	0	2.5	0	0	0	0	0
14	0	0	0	4100	80	0	5.2	0	0	0	0	0
15	0	0	0	3290	78	0	2.7	0	0	0	0	0
16	0	0	0	3040	84	0	2.2	0	0	0	0	0
17	19	0	0	2890	68	0	2.2	0	0	0	0	0
18	62	0	0	2650	100	0	2.2	0	0	0	0	0
19	0	0	0	2150	535	0	2.2	0	0	0	0	0
20	117	0	1.8	643	1430	0	2.2	0	0	0	0	0
21	0	0	0	36	5940	.60	15	0	0	0	0	0
22	0	0	0	2.0	5180	15	.11	0	0	0	0	0
23	0	0	0	2.0	4790	42	0	0	0	0	0	0
24	0	0	0	2.0	4460	47	0	0	0	0	0	0
25	0	0	0	2.0	3670	92	0	0	0	0	0	0
26	0	0	.01	2.0	2350	69	0	0	0	0	0	0
27	192	0	.03	2.0	1830	11	0	0	0	0	0	0
28	.20	0	161	2.0	1230	0	0	0	0	0	0	0
29	.06	0	481	2.0	-----	0	0	0	0	0	0	0
30	0	0	26	19	-----	0	0	0	0	0	0	0
31	0	-----	124	74	-----	0	-----	0	-----	0	0	-----
Total	390.26	0	793.84	38520.7	32439.3	469.00	74.51	1.72	0.42	0	0	0
Mean	12.6	0	25.6	1243	1159	15.1	2.48	.055	.014	0	0	0
Max	192	0	481	4360	5940	92	23	1.0	.07	0	0	0
Min	0	0	0	1.8	2.0	0	0	0	0	0	0	0
Acre-Ft	774	0	1570	76400	64340	930	148	3.4	.8	0	0	0
Wtr Year 2005	Total	72689.75	Mean	199	Max	5940	Min	0	Acre-Ft	144200		
Cal Year 2004	Total	1375.10	Mean	3.77	Max	481	Min	0	Acre-Ft	2730		

RUNOFF - DAILY DISCHARGE

Los Angeles County Dept of Public Works

USDAY V43 Output 06/14/2006

Summary Report

Site: F42B San Gabriel River Above Spring Street
 USGS #:
 Beginning Date: 10/01/2004
 Ending Date: 09/30/2005

Daily Mean Discharge in Cubic feet/second Water Year Oct 2004 to Sep 2005

Day	OCT	NOV	DEC	JAN	FEB	MAR	APR	MAY	JUN	JUL	AUG	SEP
1	44	105	178	141	271	146	244	49	74	76	56	138
2	48	103	204	173	245	110	262	44	73	78	56	146
3	49	102	210	378	192	122	275	45	70	68	33	136
4	54	91	226	184	239	163	302	46	74	72	73	130
5	68	108	283	108	260	177	325	47	68	68	79	129
6	73	96	193	109	266	135	348	56	68	75	86	130
7	78	90	178	920	236	141	371	51	69	76	98	136
8	78	99	194	680	234	151	386	52	66	74	83	146
9	78	93	169	3470	180	134	411	51	68	76	83	162
10	81	100	160	4250	199	154	403	58	69	71	85	171
11	84	104	203	4100	861	191	404	58	79	71	82	166
12	89	98	196	3620	740	226	372	57	80	73	90	160
13	84	99	191	2920	410	239	289	63	300	67	92	146
14	100	102	189	3960	389	266	271	74	194	71	91	149
15	89	97	181	2200	391	289	250	76	192	70	95	152
16	91	101	191	1810	436	299	216	77	189	74	130	147
17	162	98	174	1580	315	331	179	73	205	70	127	167
18	148	105	182	1540	620	376	145	66	224	67	137	160
19	73	112	189	966	2320	396	158	56	202	67	143	136
20	139	119	176	636	2380	394	158	55	208	70	141	179
21	32	188	186	106	6230	402	173	56	135	56	127	111
22	32	120	196	99	4380	1010	147	48	21	46	123	137
23	41	124	215	98	4070	458	142	43	30	43	121	152
24	53	133	217	95	3570	438	132	42	40	54	120	152
25	126	157	202	94	2900	614	125	37	49	57	123	146
26	147	145	209	96	2030	324	126	36	51	77	125	122
27	919	183	203	98	1880	283	124	36	48	94	134	109
28	125	185	637	121	1110	298	342	39	35	101	130	109
29	107	191	957	93	-----	297	131	38	29	101	137	105
30	112	178	184	234	-----	283	103	42	22	56	141	116
31	107	-----	458	314	-----	279	-----	40	-----	56	135	-----
Total	3511	3626	7531	35193	37354	9126	7314	1611	3032	2175	3276	4245
Mean	113	121	243	1135	1334	294	244	52.0	101	70.2	106	142
Max	919	191	957	4250	6230	1010	411	77	300	101	143	179
Min	32	90	160	93	180	110	103	36	21	43	33	105
Acre-Ft	6960	7190	14940	69800	74090	18100	14510	3200	6010	4310	6500	8420
Wtr Year 2005	Total	117994	Mean	323	Max	6230	Min	21	Acre-Ft	234000		
Cal Year 2004	Total	64961	Mean	177	Max	1600	Min	32	Acre-Ft	128800		

RUNOFF - DAILY DISCHARGE

Los Angeles County Dept of Public Works

USDAY V43 Output 06/14/2006

Summary Report

Site: U8 San Gabriel River Below Morris Dam
 USGS #:
 Beginning Date: 10/01/2004
 Ending Date: 09/30/2005

Daily Mean Discharge in Cubic feet/second Water Year Oct 2004 to Sep 2005

Day	OCT	NOV	DEC	JAN	FEB	MAR	APR	MAY	JUN	JUL	AUG	SEP
1	38	127	60	31	1240	712	694	693	167	356	93	196
2	38	127	67	31	1250	711	702	688	503	128	92	125
3	38	127	68	31	1110	785	702	708	498	21	92	125
4	38	128	91	31	962	912	700	310	499	22	94	125
5	38	133	92	125	928	912	495	385	465	361	324	125
6	33	138	92	238	928	928	760	593	460	526	431	170
7	35	140	67	270	934	1090	663	695	460	262	426	194
8	35	142	28	2770	934	1110	669	690	460	103	425	194
9	35	144	80	11400	934	1100	785	683	460	103	422	194
10	36	145	28	15900	934	1100	780	763	460	101	420	194
11	36	111	28	15700	934	1100	465	815	460	101	415	194
12	36	88	28	7830	934	1090	86	743	460	101	412	194
13	36	89	28	8170	991	1070	453	617	343	100	412	194
14	35	91	52	6910	1030	721	786	613	231	100	413	194
15	32	91	89	4400	1040	1000	799	610	231	100	236	194
16	32	91	89	2920	1040	792	795	720	231	100	121	192
17	33	92	89	2810	1040	764	788	776	346	100	77	192
18	32	67	89	2550	1050	1270	781	797	225	101	174	192
19	33	42	89	1870	2080	1560	776	751	225	101	260	192
20	42	26	89	1450	6660	1000	787	641	224	101	261	192
21	33	27	89	1000	11200	701	798	604	222	101	260	113
22	81	66	90	1000	9500	761	796	582	222	101	259	153
23	125	88	91	1000	7710	849	787	582	222	101	259	247
24	125	89	91	1000	5790	914	780	496	222	101	189	320
25	125	89	91	998	3390	807	773	401	222	94	331	318
26	89	90	91	998	2170	714	792	403	222	91	374	489
27	70	91	54	1300	1890	712	1000	399	222	92	347	569
28	68	89	32	1590	1230	712	525	396	222	92	348	567
29	106	91	37	1580	-----	713	700	399	316	92	346	567
30	127	70	33	1430	-----	714	821	398	359	92	347	565
31	127	-----	34	1230	-----	712	-----	105	-----	92	349	-----
Total	1787	2929	2076	98563	69833	28036	21238	18056	9859	4037	9009	7480
Mean	57.6	97.6	67.0	3179	2494	904	708	582	329	130	291	249
Max	127	145	92	15900	11200	1560	1000	815	503	526	431	569
Min	32	26	28	31	928	701	86	105	167	21	77	113
Acre-Ft	3540	5810	4120	195500	138500	55610	42120	35810	19560	8010	17870	14840
Wtr Year 2005	Total	272903	Mean	748	Max	15900	Min	21	Acre-Ft	541300		
Cal Year 2004	Total	25199.5	Mean	68.9	Max	459	Min	1.9	Acre-Ft	49980		

RUNOFF - DAILY DISCHARGE

Los Angeles County Dept of Public Works

USDAY V43 Output 06/14/2006

Summary Report

Site: F263C San Gabriel River Below San Gabriel River Parkway
 USGS #:
 Beginning Date: 10/01/2004
 Ending Date: 09/30/2005

Daily Mean Discharge in Cubic feet/second Water Year Oct 2004 to Sep 2005

Day	OCT	NOV	DEC	JAN	FEB	MAR	APR	MAY	JUN	JUL	AUG	SEP
1	46	0	11	195	221	94	74	67	47	61	85	83
2	39	0	193	201	204	134	72	72	39	60	77	74
3	24	0	188	296	161	135	69	69	41	68	84	42
4	23	0	188	201	200	136	129	68	47	72	86	36
5	27	0	364	59	201	138	175	74	47	76	84	35
6	25	0	348	171	199	124	170	204	45	76	84	31
7	23	3.2	153	897	177	129	130	46	41	76	63	19
8	23	71	21	771	174	106	112	38	36	78	84	9.4
9	22	51	81	3950	30	83	132	59	36	84	93	11
10	24	0	81	5020	12	72	162	57	41	85	129	14
11	25	0	54	5020	672	71	164	87	46	93	130	15
12	24	0	61	4480	405	61	92	69	47	93	134	16
13	23	0	78	3820	273	57	95	68	42	68	151	22
14	7.5	0	110	4820	270	59	211	68	37	47	150	23
15	0	0	117	2790	265	58	89	71	37	47	153	19
16	0	0	123	2710	211	57	93	70	47	45	117	22
17	510	0	128	2370	214	59	95	66	40	44	98	17
18	655	0	185	2120	589	88	94	63	44	46	96	18
19	227	0	183	1440	1550	195	89	63	50	45	103	32
20	1310	0	154	863	2880	192	86	61	43	44	101	163
21	151	193	126	108	5800	173	77	61	40	65	104	64
22	41	15	134	66	5110	264	75	59	48	69	102	20
23	25	.02	116	44	4870	241	75	62	42	72	98	16
24	27	0	114	37	4420	409	102	62	42	69	97	17
25	14	0	122	47	3570	527	71	62	43	74	96	18
26	382	0	124	248	2710	129	68	62	45	68	97	19
27	1250	28	122	129	2540	110	68	62	41	70	101	15
28	75	99	856	170	1310	102	407	59	38	67	91	11
29	.56	47	790	300	-----	82	79	60	44	65	78	12
30	0	26	234	306	-----	54	75	60	52	81	78	11
31	0	-----	300	284	-----	54	-----	58	-----	74	80	-----
Total	5023.06	533.22	5859	43933	39238	4193	3430	2107	1288	2082	3124	904.4
Mean	162	17.8	189	1417	1401	135	114	68.0	42.9	67.2	101	30.1
Max	1310	193	856	5020	5800	527	407	204	52	93	153	163
Min	0	0	11	37	12	54	68	38	36	44	63	9.4
Acre-Ft	9960	1060	11620	87140	77830	8320	6800	4180	2550	4130	6200	1790
Wtr Year 2005	Total	111714.68	Mean	306	Max	5800	Min	0	Acre-Ft	221600		
Cal Year 2004	Total	20980.89	Mean	57.3	Max	1310	Min	0	Acre-Ft	41610		

RUNOFF - DAILY DISCHARGE

Los Angeles County Dept of Public Works

USDAY V43 Output 06/14/2006

Summary Report

Site: F312B San Jose Channel Above Workman Mill Road
 USGS #:
 Beginning Date: 10/01/2004
 Ending Date: 09/30/2005

Daily Mean Discharge in Cubic feet/second Water Year Oct 2004 to Sep 2005

Day	OCT	NOV	DEC	JAN	FEB	MAR	APR	MAY	JUN	JUL	AUG	SEP
1	12	18	114	97	26	89	32	30	18	33	19	68
2	12	13	113	139	21	69	30	31	20	29	18	54
3	16	14	110	278	21	65	30	29	21	35	17	27
4	15	37	113	47	26	169	33	31	22	36	16	23
5	17	122	268	29	26	46	34	43	23	36	17	21
6	12	124	120	23	46	42	36	170	28	32	16	23
7	14	126	121	817	32	41	36	34	28	25	17	22
8	11	144	141	1100	27	41	33	34	25	26	17	17
9	15	122	122	2060	29	42	35	33	25	24	37	19
10	15	125	123	1200	39	43	36	33	29	23	62	19
11	14	127	125	790	1240	43	44	30	24	24	63	26
12	10	126	132	143	304	45	37	29	29	24	70	24
13	16	130	132	62	39	41	37	28	26	24	88	21
14	13	129	133	40	35	45	38	29	25	24	88	22
15	11	130	136	37	35	41	38	31	29	23	89	22
16	9.2	132	139	34	31	44	42	32	26	22	86	24
17	326	127	140	32	85	43	40	30	25	23	85	21
18	219	127	142	29	395	92	41	28	27	21	89	28
19	131	125	144	28	2390	107	40	28	28	21	90	23
20	1660	130	150	29	510	51	42	27	29	23	88	161
21	36	300	153	29	2140	37	40	27	29	22	89	22
22	18	35	157	27	774	736	42	31	30	25	88	20
23	20	118	157	29	603	87	43	30	31	22	88	18
24	17	114	158	28	451	46	78	26	32	22	88	20
25	14	115	167	31	356	32	45	26	33	21	88	20
26	402	114	168	157	267	32	43	26	34	20	88	21
27	619	216	126	29	195	31	44	27	29	19	90	18
28	58	116	1270	89	132	30	715	25	30	19	78	15
29	19	114	1070	29	-----	32	33	23	30	18	67	18
30	20	117	73	26	-----	32	34	27	31	19	66	15
31	19	-----	807	25	-----	31	-----	20	-----	19	67	-----
Total	3790.2	3487	7024	7513	10275	2325	1851	1048	816	754	1969	852
Mean	122	116	227	242	367	75.0	61.7	33.8	27.2	24.3	63.5	28.4
Max	1660	300	1270	2060	2390	736	715	170	34	36	90	161
Min	9.2	13	73	23	21	30	30	20	18	18	16	15
Acre-Ft	7520	6920	13930	14900	20380	4610	3670	2080	1620	1500	3910	1690
Wtr Year 2005	Total	41704.2	Mean	114	Max	2390	Min	9.2	Acre-Ft	82720		
Cal Year 2004	Total	30763.0	Mean	84.1	Max	1840	Min	1.9	Acre-Ft	61020		

RUNOFF - DAILY DISCHARGE

Los Angeles County Dept of Public Works

USDAY V43 Output 06/14/2006

Summary Report

Site: F193B Santa Anita Wash at Longden Avenue
 USGS #:
 Beginning Date: 10/01/2004
 Ending Date: 09/30/2005

Daily Mean Discharge in Cubic feet/second Water Year Oct 2004 to Sep 2005

Day	OCT	NOV	DEC	JAN	FEB	MAR	APR	MAY	JUN	JUL	AUG	SEP
1	1.1	.31	.11	86	11	172	14	1.1	.85	4.6	.78	.39
2	1.0	.36	.10	64	7.4	155	12	1.0	1.1	7.8	.67	.45
3	.93	.50	1.4	68	4.6	118	8.5	1.1	1.2	8.4	.76	.33
4	1.1	.50	14	43	2.7	170	6.5	1.0	.73	7.4	.64	.82
5	1.1	.50	6.6	40	1.7	200	4.8	4.1	.55	3.1	.83	.89
6	.83	.50	.46	74	1.0	200	3.4	3.7	.40	0	.52	.62
7	.79	.50	.38	77	.40	200	2.5	3.4	.62	0	.64	1.0
8	.97	.50	.77	299	.68	195	2.0	2.3	.73	.08	.63	1.3
9	.66	.50	.08	1650	1.1	182	1.5	2.1	.85	0	1.3	1.4
10	.79	.50	.17	1410	1.6	168	1.1	1.5	1.1	0	1.3	1.6
11	.93	.50	.12	941	4.1	155	.66	1.4	1.4	0	1.2	.72
12	.77	.50	.11	504	10	143	.34	1.1	.77	.21	1.2	.95
13	.77	.50	.27	407	13	133	.25	1.1	1.0	.35	1.5	1.8
14	.79	.50	.34	395	15	122	.25	.77	.69	.54	1.7	2.0
15	.70	.50	.30	355	31	112	.25	.51	.91	.38	1.4	2.0
16	4.4	.48	.33	276	30	103	.25	1.1	1.3	.48	1.6	2.0
17	.26	.35	.39	194	39	93	.25	1.1	.31	.70	1.6	2.1
18	.12	.49	.54	119	81	84	.65	1.2	.11	.56	1.4	2.2
19	.21	.56	.41	110	240	76	2.6	.69	.17	.62	.50	1.9
20	178	.11	.47	108	278	67	2.0	.61	.03	.67	.33	8.7
21	1.4	.14	.27	105	391	59	2.3	.57	.47	.65	.13	1.7
22	.96	.98	.31	94	424	57	2.0	.44	1.2	.10	.16	.60
23	.75	.19	.14	81	372	48	1.9	.23	1.1	0	.42	.71
24	.57	.34	.17	81	315	40	1.7	.27	0	.02	.21	.95
25	.50	.33	.26	81	298	34	1.6	.34	0	.02	.18	.68
26	.98	.32	.14	80	321	29	1.5	.55	.56	0	.17	.90
27	.69	.12	4.5	76	263	24	1.4	.52	0	.04	.15	.67
28	.50	1.2	.74	56	201	19	1.3	.50	.52	.03	.50	.70
29	.50	.43	130	38	-----	16	1.3	.39	.48	1.3	.68	.52
30	.50	.03	.61	31	-----	15	1.2	.26	.53	0	.26	.66
31	.48	-----	.71	19	-----	15	-----	.43	-----	.01	.22	-----
Total	427.79	49.87	369.14	7962	3358.28	3204	80.00	35.38	19.68	38.06	23.58	41.26
Mean	13.8	1.66	11.9	257	120	103	2.67	1.14	.66	1.23	.76	1.38
Max	178	14	130	1650	424	200	14	4.1	1.4	8.4	1.7	8.7
Min	.48	.03	.08	19	.40	15	.25	.23	0	0	.13	.33
Acre-Ft	849	99	732	15790	6660	6360	159	70	39	75	47	82
Wtr Year 2005	Total	15609.04	Mean	42.8	Max	1650	Min	0	Acre-Ft	30960		
Cal Year 2004	Total	1362.45	Mean	3.72	Max	178	Min	.03	Acre-Ft	2700		

RUNOFF - DAILY DISCHARGE

Los Angeles County Dept of Public Works

USDAY V43 Output 06/14/2006

Summary Report

Site: F260C Santa Anita Wash Below Foothill Boulevard
 USGS #:
 Beginning Date: 10/01/2004
 Ending Date: 09/30/2005

Daily Mean Discharge in Cubic feet/second Water Year Oct 2004 to Sep 2005

Day	OCT	NOV	DEC	JAN	FEB	MAR	APR	MAY	JUN	JUL	AUG	SEP
1	.23	1.4	.70	32	1.4	63	16	1.6	1.2	.79	.15	.48
2	.23	1.4	.70	26	1.5	52	15	1.5	1.3	.68	0	.50
3	.23	1.3	1.4	26	.70	39	16	1.3	1.5	.72	0	.48
4	.23	.93	5.8	18	.70	41	19	1.2	1.1	.74	0	.66
5	.23	.92	1.8	14	.70	36	17	2.8	.95	.57	0	.81
6	.23	.81	.70	27	.91	36	17	3.0	.88	.70	0	.69
7	.23	.73	.70	27	.96	37	17	3.3	1.1	.70	0	.75
8	.23	1.2	.71	199	2.8	42	16	2.2	1.1	.70	0	.71
9	.23	.72	.70	1210	2.4	46	15	2.1	1.2	.70	0	.74
10	.23	.69	.70	1070	1.2	35	15	1.6	1.4	.70	0	.78
11	.23	.58	.70	752	22	37	15	1.4	1.7	.70	0	.46
12	.23	.46	.70	353	32	40	15	1.3	1.1	.81	0	.63
13	.23	.46	.70	237	24	45	15	1.3	1.4	.85	0	.92
14	.23	.50	.70	203	18	51	15	1.0	1.1	.87	0	1.1
15	.23	.46	.70	108	16	41	15	.93	1.2	.84	0	.95
16	.55	.48	.70	42	17	39	15	1.4	1.5	.99	.25	.92
17	3.8	.47	.70	25	23	35	15	1.5	.74	.98	.70	.90
18	2.4	.50	.73	10	31	32	15	1.6	.70	.95	.70	.95
19	8.5	.46	.70	6.2	122	32	14	1.1	.71	.77	.46	.72
20	86	3.7	.70	1.7	174	32	13	1.1	.70	.76	.46	2.5
21	20	4.1	.70	3.5	271	35	13	1.0	1.1	.95	.46	.95
22	4.9	.58	.70	7.3	331	51	13	.87	1.6	.70	.46	.46
23	3.2	.46	.70	7.4	256	23	13	.85	1.5	.70	.47	.47
24	2.2	.46	.70	2.8	180	24	13	.89	.70	.70	.46	.46
25	2.0	.46	.70	2.5	171	17	13	.89	.70	.46	.46	.46
26	17	.46	.70	3.3	187	17	13	1.1	1.1	.19	.46	.47
27	14	2.7	1.8	9.4	140	19	12	.99	.71	.19	.47	.48
28	2.8	.73	.27	35	84	19	17	1.0	.92	.19	.50	.46
29	2.2	.58	.56	30	-----	17	7.6	.91	.77	.19	.60	.47
30	2.0	.54	.22	25	-----	17	1.9	.85	.77	.19	.46	.51
31	1.8	-----	.24	3.8	-----	17	-----	.98	-----	.19	.46	-----
Total	176.80	29.24	155.94	4516.9	2112.27	1067	426.5	43.56	32.45	20.17	7.98	21.84
Mean	5.70	.97	5.03	146	75.4	34.4	14.2	1.41	1.08	.65	.26	.73
Max	86	4.1	56	1210	331	63	19	3.3	1.7	.99	.70	2.5
Min	.23	.46	.70	1.7	.70	17	1.9	.85	.70	.19	0	.46
Acre-Ft	351	58	309	8960	4190	2120	846	86	64	40	16	43
Wtr Year 2005	Total	8610.65	Mean	23.6	Max	1210	Min	0	Acre-Ft	17080		
Cal Year 2004	Total	636.84	Mean	1.74	Max	86	Min	.13	Acre-Ft	1260		

RUNOFF - DAILY DISCHARGE

Los Angeles County Dept of Public Works

USDAY V43 Output 06/14/2006

Summary Report

Site: F92C Santa Clara River at Old Road Bridge
 USGS #:
 Beginning Date: 10/01/2004
 Ending Date: 09/30/2005

Daily Mean Discharge in Cubic feet/second Water Year Oct 2004 to Sep 2005

Day	OCT	NOV	DEC	JAN	FEB	MAR	APR	MAY	JUN	JUL	AUG	SEP
1		2.10*	2.00*	31.0	7.50*	175*	44.0	13.0	8.60*	6.10*	6.00	5.90
2	.71	1.90*	1.90*	34.0	6.70*	165*	42.0	13.0	8.40	6.00*	5.80	5.90
3	.68	1.90*	1.80*	1180	6.50*	157*	39.0	14.0	8.50	6.00*	5.90	5.90
4	.70	1.80*	1.80*	42.0	6.30*	170*	37.0	13.0	8.30	6.00*	6.00	6.10
5	.71	1.80*	1.70*	28.0	6.40*	150*	35.0	14.0	8.50	6.00*	6.20	5.90
6	.65	1.80*	1.70*	24.0	6.30*	138*	33.0	17.0	8.30	6.00*	6.30	5.80
7	.73	1.70*	2.20*	769	6.20*	124*	32.0	13.0	8.40	5.90*	6.40	5.70
8	.77	1.70*	2.10*	1900	6.20*	112*	31.0	12.0	8.40	5.90*	6.50	5.70
9	.91	1.70*	1.90*	7580*	6.20*	107*	31.0	12.0	8.10	5.80*	6.70	5.80
10	.97	1.70*	1.70*	5500*	6.10*	103*	30.0	11.0	7.70	5.80*	6.50	6.00
11	1.00	1.60*	1.60*	3270*	400*	100*	28.0	11.0	7.70	5.70*	6.40	6.10
12	1.00	1.60*	1.60*	900*	60.0*	94.0*	28.0	10.0	7.30	5.70*	6.40	6.10
13	1.00	1.70*	1.50*	300*	20.0*	87.0	26.0	10.0	7.20	5.60*	6.40	6.20
14	1.10	1.60*	1.60*	156*	13.0*	80.0	25.0	9.90	7.00*	5.60*	6.40	6.30
15	1.20	1.70*	1.50*	133*	10.0*	76.0	24.0	9.50	7.00*	5.70*	6.10	6.30
16	1.30	1.60*	1.50	118*	9.00*	73.0	23.0	9.40	6.90*	5.50*	6.00	6.40
17	51.0	1.60*	1.60	89.0*	14.0*	69.0	22.0	9.50	6.80*	5.40*	6.10	6.40
18	8.90	1.70*	1.50	66.0*	600*	65.0	23.0	9.50*	6.60*	5.30*	6.00	6.50
19	209	1.70*	1.40	52.0*	1700*	58.0	23.0	9.30*	6.50	5.20*	6.00	6.80
20	445	1.70*	1.50*	43.0*	1200*	53.0	22.0	9.20*	6.20	5.40	6.00	7.60
21	20.0	1.80*	1.70*	35.0*	5910	49.0	21.0	9.10*	6.00	5.50	6.00	6.60
22	11.0	1.80*	1.50*	30.0*	3330	250*	21.0	9.00*	5.90	5.50	5.90	6.40
23	6.90*	1.80*	1.40*	24.0*	700*	70.0*	21.0	8.90*	5.90	5.50	5.90	6.30
24	3.60*	1.80*	1.30	20.0*	400*	52.0*	20.0	8.80*	5.90	5.50	6.00	6.30
25	2.20*	1.80*	1.30	16.0*	270*	48.0*	19.0	8.80*	5.90	5.60	5.90	6.30
26	168	1.80*	1.30	18.0*	235*	46.0*	18.0	8.70*	6.00	5.70	5.80	6.30
27	90.0	3.00*	76.0	15.0*	215*	45.0*	18.0	8.70*	6.10	5.70	5.80	6.40
28	3.90*	2.40*	1050	25.0*	202*	54.0	21.0	8.70*	6.10	5.80	5.80	6.20
29	3.50*	2.20*	522	19.0*	-----	51.0	17.0*	8.60*	6.00*	5.80	5.80	6.10
30	3.30*	2.10*	21.0	13.0*	-----	45.0	14.0	8.60*	6.10*	5.90	5.90	6.20
31	2.70*	-----	118	8.50*	-----	46.0	-----	8.60*	-----	5.90	5.80	-----
Total	1042.43	55.10	1829.60	22438.50	15352.40	2912.0	788.0	325.80	212.30	177.00	188.70	186.50
Mean	34.7	1.84	59.0	724	548	93.9	26.3	10.5	7.08	5.71	6.09	6.22
Max	445	3.00	1050	7580	5910	250	44.0	17.0	8.60	6.10	6.70	7.60
Min	.65	1.60	1.30	8.50	6.10	45.0	14.0	8.60	5.90	5.20	5.80	5.70
Acre-Ft	2070	109	3630	44510	30450	5780	1560	646	421	351	374	370
Wtr Year 2005	Total	45508.33	Mean	125	Max	7580	Min	.65	Inst Max	7580	Acre-Ft	90260
Cal Year 2004	Total	4976.26	Mean	13.6	Max	1050	Min	.42	Inst Max	1050	Acre-Ft	9870

RUNOFF - DAILY DISCHARGE

Los Angeles County Dept of Public Works

USDAY V43 Output 06/14/2006

Summary Report

Site: F93B Santa Clara River above Lang Railroad Station
 USGS #:
 Beginning Date: 10/01/2004
 Ending Date: 09/30/2005

Daily Mean Discharge in Cubic feet/second Water Year Oct 2004 to Sep 2005

Day	OCT	NOV	DEC	JAN	FEB	MAR	APR	MAY	JUN	JUL	AUG	SEP
1		0	0	70*	38	182	54*	30*	17*	8.4*	2.6*	1.5*
2	0	0	0	40*	36	168	53*	29*	16*	8.2*	2.5*	1.5*
3	0	0	0	60	35*	157	52*	32*	16*	7.9*	2.4*	1.5*
4	0	0	0	47	34*	165*	51*	31*	15*	7.7*	2.3*	1.5*
5	0	0	0	29	33*	150*	50*	33*	15*	7.4*	2.3*	1.4*
6	0	0	0	39	32*	139*	49*	31*	15*	7.2*	2.2*	1.4*
7	0	0	0	88	32*	127*	48*	30*	15*	6.9*	2.2*	1.4*
8	0	0	0	174	31*	120*	46*	30*	14*	6.7*	2.2*	1.4*
9	0	0	0	1080	30*	112*	45*	29*	14*	6.6*	2.2*	1.4*
10	0	0	0	1620	35*	105*	44*	28*	14*	6.4*	2.1*	1.4*
11	0	0	0	1200*	143*	100*	43*	27*	14*	6.2*	2.1*	1.4*
12	0	0	0	650*	87	97*	42*	26*	13*	6.0*	2.1*	1.3*
13	0	0	0	400*	97	95*	41*	26*	13*	5.9*	2.0*	1.3*
14	0	0	0	220*	80	92*	40*	25*	13*	5.7*	2.0*	1.3*
15	0	0	0	180*	60*	89*	39*	24*	12*	5.5*	2.0*	1.3*
16	0	0	0	130*	40*	87*	39*	24*	12*	5.4*	2.0*	1.3*
17	0	0	0	110*	35*	85*	38*	23*	12*	5.2*	1.9*	1.3*
18	0	0	0	85*	119	82*	38*	22*	12*	5.0*	1.9*	1.3*
19	0	0	0	80*	553	105*	37*	21*	11*	4.9*	1.9*	1.3*
20	6.6	0	0	75*	439	90*	37*	21*	11*	4.7*	1.9*	1.2*
21	.25	0	0	60*	1010	84*	36*	20*	11*	4.5*	1.8*	1.2*
22	0	0	0	54	746	120*	35*	20*	11*	4.3*	1.8*	1.2*
23	0	0	0	43	494	90*	35*	20*	10*	4.2*	1.8*	1.2*
24	0	0	0	36	368	83*	34*	19*	10*	4.0*	1.8*	1.2*
25	0	0	0	30	311	77*	34*	19*	10*	3.8*	1.7*	1.2*
26	.41	0	0	45	249	73*	33*	19*	9.7*	3.7*	1.7*	1.2*
27	4.9	0	0	47	218	69*	32*	18*	9.5*	3.5*	1.7*	1.2*
28	.65	0	72	57	198	65*	35*	18*	9.2*	3.3*	1.6*	1.2*
29	0	0	522	70	-----	60*	32*	18*	9.0*	3.2*	1.6*	1.1*
30	0	0	91	66	-----	55	31*	18*	8.7*	3.0*	1.6*	1.1*
31	0	-----	78	47	-----	53	-----	17*	-----	2.8*	1.6*	-----
Total	12.81	0	763	6932	5583	3176	1223	748	372.1	168.2	61.5	39.2
Mean	.43	0	24.6	224	199	102	40.8	24.1	12.4	5.43	1.98	1.31
Max	6.6	0	522	1620	1010	182	54	33	17	8.4	2.6	1.5
Min	0	0	0	29	30	53	31	17	8.7	2.8	1.6	1.1
Acre-Ft	25	0	1510	13750	11070	6300	2430	1480	738	334	122	78
Wtr Year 2005	Total	19078.81	Mean	52.4	Max	1620	Min	0	Acre-Ft	37840		
Cal Year 2004	Total	790.81	Mean	2.17	Max	522	Min	0	Acre-Ft	1570		

RUNOFF - DAILY DISCHARGE

Los Angeles County Dept of Public Works

USDAY V43 Output 06/14/2006

Summary Report

Site: F280 Santa Fe Channel Below Santa Fe Dam
 USGS #:
 Beginning Date: 10/01/2004
 Ending Date: 09/30/2005

Daily Mean Discharge in Cubic feet/second Water Year Oct 2004 to Sep 2005

Day	OCT	NOV	DEC	JAN	FEB	MAR	APR	MAY	JUN	JUL	AUG	SEP
1	0	0	0	0	0	1.4	0	149	9.6	34	0	0
2	0	0	0	0	0	49	0	149	249	59	0	0
3	0	0	0	0	0	52	0	149	331	10	0	0
4	0	0	0	0	0	151	0	67	298	16	0	0
5	0	0	0	0	0	150	0	2.2	271	2.5	0	0
6	0	0	0	0	0	151	0	45	248	.01	0	0
7	0	0	0	0	0	208	0	90	239	0	0	0
8	0	0	0	0	0	417	0	97	180	0	0	0
9	0	0	0	.64	0	520	0	231	117	0	0	0
10	0	0	0	.62	0	483	0	175	168	0	0	0
11	0	0	0	.13	0	359	0	222	172	0	0	0
12	0	0	0	0	0	361	0	177	168	0	0	0
13	0	0	0	0	0	363	0	89	142	0	0	0
14	0	0	0	0	0	398	64	104	120	0	0	0
15	0	0	0	0	0	404	129	96	146	0	0	0
16	0	0	0	0	0	359	127	165	159	0	0	0
17	0	0	0	0	0	395	134	226	155	0	0	0
18	0	0	0	0	0	474	142	216	143	0	0	0
19	0	0	0	0	0	441	142	180	146	0	0	0
20	0	0	0	0	.02	360	145	84	148	0	0	0
21	0	0	0	0	.18	308	151	89	148	0	0	0
22	0	0	0	0	.02	76	151	90	146	0	0	0
23	0	0	0	0	0	.48	146	101	147	0	0	0
24	0	0	0	0	0	.02	144	90	147	0	0	0
25	0	0	0	0	0	0	135	51	147	0	0	0
26	0	0	0	0	0	0	121	35	146	0	0	0
27	0	0	0	0	0	0	213	6.8	83	0	0	0
28	0	0	0	0	0	0	204	.32	22	0	0	0
29	0	0	.36	0	-----	0	72	0	18	0	0	0
30	0	0	.05	0	-----	0	152	0	12	0	0	0
31	0	-----	0	0	-----	0	-----	0	-----	0	0	-----
Total	0	0	0.41	1.39	0.22	6480.90	2372	3176.32	4625.6	121.51	0	0
Mean	0	0	.013	.045	.008	209	79.1	102	154	3.92	0	0
Max	0	0	.36	.64	.18	520	213	231	331	59	0	0
Min	0	0	0	0	0	0	0	0	9.6	0	0	0
Acre-Ft	0	0	.8	2.8	.4	12850	4700	6300	9170	241	0	0
Wtr Year 2005	Total	16778.35	Mean	46.0	Max	520	Min	0	Acre-Ft	33280		
Cal Year 2004	Total	0.48	Mean	.001	Max	.36	Min	0	Acre-Ft	1		

RUNOFF - DAILY DISCHARGE

Los Angeles County Dept of Public Works

USDAY V43 Output 06/14/2006

Summary Report

Site: F125 Santiago Canyon Creek Above Littlerock Creek
 USGS #:
 Beginning Date: 10/01/2004
 Ending Date: 09/30/2005

Daily Mean Discharge in Cubic feet/second Water Year Oct 2004 to Sep 2005

Day	OCT	NOV	DEC	JAN	FEB	MAR	APR	MAY	JUN	JUL	AUG	SEP
1		0	0	8.5	3.9	20*	6.8	3.5	1.7	.24	0	0
2	0	0	0	6.1	3.7	19*	6.7	3.5	1.7	.18	0	0
3	0	0	0	5.7	3.6	19*	6.5	3.2	1.7*	.14	0	0
4	0	0	0	4.9	3.5	19	6.5	3.2	1.6*	.10	0	0
5	0	0	0	3.8	3.3	21	6.4	3.3	1.6*	.07	0	0
6	0	0	0	3.3	3.2	18	6.2	3.7	1.5*	.05	.26	0
7	0	0	0	5.9	3.2	17	6.1	3.4	1.5*	.02	0	0
8	0	0	0	29	3.0	15	6.0	3.2	1.4*	0	0	0
9	0	0	0	163	2.8	14	5.7	3.2	1.4*	0	0	0
10	0	0	0	139	2.7	14	5.5	3.2	1.3*	0	0	0
11	0	0	0	109	18	14	5.4	3.1	1.3*	0	0	0
12	0	0	0	36*	18	13	5.2	3.0	1.2*	0	0	0
13	0	0	0	21*	10	13	5.2	3.0	1.2*	0	0	0
14	0	0	0	17*	8.9	12	5.1	2.8	1.2*	0	0	0
15	0	0	0	15*	8.0	12	4.9	2.6	1.1*	0	0	0
16	0	0	0	13	7.4	11	4.7	2.6	1.1*	0	0	0
17	0	0	0	11	7.3	10	4.4	2.6	1.0*	0	0	0
18	0	0	0	9.5	9.7	11	4.4	2.5	.97*	0	0	0
19	0	0	0	8.4	52	10	4.4	2.4	.93*	0	0	0
20	0	0	0	7.8	71	9.9	4.3	2.3	.88*	0	0	0
21	0	0	0	7.0	236	9.5	4.2	2.3	.84*	0	0	0
22	0	0	0	6.4	97	11	4.2	2.3	.79*	0	0	0
23	0	0	0	6.1	70	12	4.2	2.2	.66	0	0	0
24	0	0	0	5.6	55	9.9	3.9	2.2	.59	.46	0	0
25	0	0	0	5.2	40*	9.1	3.9	2.1	.55	.10	0	0
26	0	0	0	5.0	32*	8.6	3.7	2.0	.51	0	0	0
27	0	0	0	5.0	26*	8.4	3.7	1.9	.45	0	0	0
28	0	0	2.9	5.4	21*	8.2	5.2	1.8	.40	0	0	0
29	0	0	53	5.1	-----	7.8	4.5	1.8	.36	0	0	0
30	0	0	15	4.6	-----	7.8	3.9	1.8	.29	0	0	0
31	0	-----	11	4.3	-----	7.3	-----	1.8	-----	0	0	-----
Total	0	0	81.9	676.6	820.2	391.5	151.8	82.5	31.72	1.36	0.26	0
Mean	0	0	2.64	21.8	29.3	12.6	5.06	2.66	1.06	.044	.008	0
Max	0	0	53	163	236	21	6.8	3.7	1.7	.46	.26	0
Min	0	0	0	3.3	2.7	7.3	3.7	1.8	.29	0	0	0
Acre-Ft	0	0	162	1340	1630	777	301	164	63	2.7	.5	0
Wtr Year 2005	Total	2237.84	Mean	6.15	Max	236	Min	0	Acre-Ft	4440		
Cal Year 2004	Total	98.16	Mean	.27	Max	53	Min	0	Acre-Ft	195		

RUNOFF - DAILY DISCHARGE

Los Angeles County Dept of Public Works

USDAY V43 Output 06/14/2006

Summary Report

Site: F278 Sawpit Creek Below Sawpit Dam
 USGS #:
 Beginning Date: 10/01/2004
 Ending Date: 09/30/2005

Daily Mean Discharge in Cubic feet/second Water Year Oct 2004 to Sep 2005

Day	OCT	NOV	DEC	JAN	FEB	MAR	APR	MAY	JUN	JUL	AUG	SEP
1	.75	2.1	1.5	3.5	3.7	20	4.5	3.7	2.7	2.7	2.3	2.0
2	.72	1.9	1.4	3.2	3.5	17	4.4	3.8	2.8	2.7	2.3	2.0
3	.72	2.0	1.4	3.7	3.4	16	4.4	3.7	2.7	2.7	2.3	1.9
4	.43	1.8	1.4	3.3	3.3	16	4.3	3.7	2.8	2.7	2.2	1.9
5	.06	1.8	1.5	3.1	3.2	14	4.2	3.9	2.8	2.7	2.2	1.9
6	.13	1.7	1.5	3.0	3.1	12	4.1	3.8	2.7	2.7	2.2	1.9
7	.19	1.6	1.5	3.5	3.0	11	4.1	3.8	2.7	2.7	2.2	1.9
8	.26	1.6	1.5	50	3.0	9.3	4.1	3.7	2.7	2.7	2.2	2.0
9	.33	1.5	1.4	184	2.9	8.1	4.1	3.7	2.7	2.7	2.1	2.1
10	.40	1.5	1.4	167	2.8	7.0	4.0	3.5	2.7	2.7	2.2	2.2
11	.46	1.4	1.4	119	5.7	6.3	3.9	3.4	2.8	2.6	2.2	2.1
12	.53	1.4	1.4	47	7.0	6.0	3.9	3.2	2.8	2.6	2.2	2.1
13	.60	1.4	1.4	37	4.2	5.9	3.9	3.1	2.7	2.5	2.2	2.1
14	.67	1.5	1.4	25	3.9	5.6	3.8	2.9	2.7	2.5	2.3	2.1
15	.44	1.4	1.3	18	3.8	5.3	3.8	2.8	2.7	2.5	2.3	2.0
16	.72	1.4	1.3	14	3.7	5.1	3.8	2.9	2.8	2.5	2.3	2.1
17	.74	1.4	1.3	12	3.7	5.0	3.8	2.9	2.8	2.5	2.2	2.1
18	.72	1.3	1.3	10	5.5	5.1	3.9	2.8	2.7	2.5	2.2	2.0
19	1.1	1.3	1.3	8.6	32	5.1	3.9	2.8	2.7	2.4	2.2	2.0
20	15	1.4	1.3	7.1	36	4.8	3.8	2.7	2.7	2.4	2.1	2.2
21	2.7	2.1	1.2	6.1	68	4.6	3.8	2.7	2.7	2.4	2.1	2.1
22	2.0	1.6	1.4	5.5	44	6.2	3.8	2.7	2.7	2.4	2.0	2.0
23	1.8	1.5	1.4	5.0	24	6.0	3.8	2.7	2.7	2.4	2.1	1.9
24	1.5	1.5	1.2	4.6	17	5.4	3.9	2.7	2.7	2.4	2.0	2.0
25	1.3	1.5	.90	4.4	16	5.3	3.8	2.7	2.7	2.4	2.0	2.0
26	1.9	1.4	1.4	4.5	14	5.1	3.8	2.4	2.7	2.4	2.0	1.9
27	4.3	1.6	1.3	4.4	22	5.0	3.8	2.7	2.7	2.4	2.0	1.8
28	2.8	1.7	2.9	4.2	24	4.9	4.1	2.6	2.7	2.3	2.0	1.8
29	2.1	1.5	9.6	4.1	-----	4.9	3.8	2.7	2.7	2.3	2.0	1.8
30	2.0	1.5	4.2	3.9	-----	4.8	3.8	2.6	2.7	2.3	2.0	1.8
31	2.0	-----	4.4	3.9	-----	4.6	-----	2.6	-----	2.3	-----	-----
Total	49.37	47.3	57.80	772.6	366.4	241.4	119.1	95.9	81.7	78.0	66.6	59.7
Mean	1.59	1.58	1.86	24.9	13.1	7.79	3.97	3.09	2.72	2.52	2.15	1.99
Max	15	2.1	9.6	184	68	20	4.5	3.9	2.8	2.7	2.3	2.2
Min	.06	1.3	.90	3.0	2.8	4.6	3.8	2.4	2.7	2.3	2.0	1.8
Acre-Ft	98	94	115	1530	727	479	236	190	162	155	132	118
Wtr Year 2005	Total	2035.87	Mean	5.58	Max	184	Min	.06	Acre-Ft	4040		
Cal Year 2004	Total	460.57	Mean	1.26	Max	15	Min	.06	Acre-Ft	914		

RUNOFF - DAILY DISCHARGE

Los Angeles County Dept of Public Works

USDAY V43 Output 06/14/2006

Summary Report

Site: F194B Sawpit Wash Below Live Oak Avenue
 USGS #:
 Beginning Date: 10/01/2004
 Ending Date: 09/30/2005

Daily Mean Discharge in Cubic feet/second Water Year Oct 2004 to Sep 2005

Day	OCT	NOV	DEC	JAN	FEB	MAR	APR	MAY	JUN	JUL	AUG	SEP
1	.47	2.1	1.1	9.7	3.0	7.5	.24*	177	68	5.1	.43	.37
2	.42	1.8	1.1	37	2.2	52	.24*	182	184	5.1	.38	.40
3	.49	2.0	1.0	37	1.5	53	.24*	173	256	5.1	.41	.42
4	.41	1.6	1.0	17	1.0	160	.24*	75	256	5.0	1.1	.39
5	.42	1.5	.11	7.0	.62	141	.24*	18	270	6.4	.41	.43
6	.43	1.5	1.3	6.0	.39	142	.24*	63	262	7.6	.41	.39
7	.42	1.5	1.2	114*	.27	191	.24*	125	230	6.0	.38	.38
8	.42	7.4	1.7	241*	.22	375	.24*	135	180	4.6	.42	.42
9	.44	1.5	1.2	264*	.19	478	.24*	249	105	3.4	.43	.55
10	.45	1.4	1.1	148*	.16	470*	.24*	156	117	2.4	.69	.38
11	.46	1.3	1.1	46*	.30	97*	.24*	200	135	1.6	.42	.38
12	.45	1.3	1.2	17*	.49	0*	.23*	170	138	2.7	.41	.41
13	.43	1.2	2.1	12*	.33	1.7*	.22	108	135	.75	.46	.43
14	.39	1.2	1.0	10*	.30	44*	.62	109	126	.73	.43	.40
15	.40	1.1	1.0	9.7*	3.4	43*	.99	95	121	.73	.42	.40
16	7.1	1.2	1.1	9.0*	3.9	25*	.98	148	121	.74	.41	.40
17	56	1.1	1.0	8.3*	18	145*	104	185	121	.73	.37	.40
18	18	1.2	1.0	7.9*	76	212*	116	225	119	.44	.38	.40
19	24	1.1	1.0	7.9*	339	91*	126	210	118	.03	.39	.40
20	245	.24	1.0	7.9*	184	.01*	133	92	118	.03	.42	.16
21	7.6	.28	1.0	7.9*	303	.03*	131	87	109	.03	.44	1.3
22	2.7	1.6	.92	7.9*	177	.05*	130	63	92	.04	.43	.36
23	2.0	1.4	.37	7.9*	106	.07*	143	69	76	.02	.44	.36
24	1.8	1.3	.37	7.9*	55	.09*	148	69	61	.02	.39	.36
25	1.6	1.2	.38	14*	41	.11*	156	69	48	.02	.43	.38
26	112	1.2	.39	15*	33	.13*	136	69	36	.03	.43	.36
27	57	.27	8.3	7.0*	28	.15*	212	69	26	.07	.40	.38
28	4.9	1.6	171	6.8	17	.17*	251	69	18	.05	.40	.36
29	3.0	1.2	162	3.8	-----	.19*	94	69	12	.03	.39	.37
30	2.4	1.2	13	3.6	-----	.21*	176	68	7.0	.03	.39	.39
31	2.1	-----	81	3.4	-----	.23*	-----	67	-----	.15	.39	-----
Total	553.70	122.7	471.93	1101.6	1424.97	2729.64	2318.09	3663	3665.0	59.67	13.70	28.37
Mean	17.9	4.09	15.2	35.5	50.9	88.1	77.3	118	122	1.92	.44	.95
Max	245	28	171	264	339	478	251	249	270	7.6	1.1	16
Min	.39	1.1	.37	3.4	.16	0	.22	18	7.0	.02	.37	.36
Acre-Ft	1100	243	936	2180	2830	5410	4600	7270	7270	118	27	56
Wtr Year 2005	Total	16152.37	Mean	44.3	Max	478	Min	0	Acre-Ft	32040		
Cal Year 2004	Total	1844.65	Mean	5.04	Max	245	Min	.08	Acre-Ft	3660		

RUNOFF - DAILY DISCHARGE

Los Angeles County Dept of Public Works

USDAY V43 Output 06/14/2006

Summary Report

Site: F32 Thompson Creek Below Dam
 USGS #:
 Beginning Date: 10/01/2004
 Ending Date: 09/30/2005

Daily Mean Discharge in Cubic feet/second Water Year Oct 2004 to Sep 2005

Day	OCT	NOV	DEC	JAN	FEB	MAR	APR	MAY	JUN	JUL	AUG	SEP
1	0	0	0	0	6.6	0	0	0	0	0	0	0
2	0	0	0	0	2.3	0	0	0	0	0	0	0
3	0	0	0	.01	0	0	0	0	0	0	0	0
4	0	0	0	0	0	.90	0	0	0	0	0	0
5	0	0	0	0	0	1.5	0	0	0	0	0	0
6	0	0	0	0	0	1.5	0	0	0	0	0	0
7	0	0	0	.02	0	1.5	0	0	0	0	0	0
8	0	0	0	7.3	0	1.3	0	0	0	0	0	0
9	0	0	0	76	0	1.3	0	0	0	0	0	0
10	0	0	0	80	0	1.3	0	0	0	0	0	0
11	0	0	0	84	0	1.3	0	0	0	0	0	0
12	0	0	0	72	0	1.3	0	0	0	0	0	0
13	0	0	0	19	0	1.3	0	0	0	0	0	0
14	0	0	0	8.9	0	1.1	0	0	0	0	0	0
15	0	0	0	8.9	0	1.0	0	0	0	0	0	0
16	0	0	0	8.9	0	1.9	0	0	0	0	0	0
17	0	0	0	8.7	0	2.5	0	0	0	0	0	0
18	0	0	0	8.6	0	2.5	0	0	0	0	0	0
19	0	0	0	8.6	24	2.5	0	0	0	0	0	0
20	.37	0	0	8.6	39	2.4	0	0	0	0	0	0
21	.39	0	0	8.6	52	1.0	0	0	0	0	0	0
22	.39	0	0	8.6	63	0	0	0	0	0	0	0
23	.39	0	0	8.4	64	3.8	0	0	0	0	0	0
24	.39	0	0	8.0	43	4.1	0	0	0	0	0	0
25	.36	0	0	8.0	.02	.52	0	0	0	0	0	0
26	.29	0	0	8.0	0	1.0	0	0	0	0	0	0
27	.02	0	0	8.0	0	1.0	0	0	0	0	0	0
28	0	0	.03	7.8	0	.52	0	0	0	0	0	0
29	0	0	.12	7.8	-----	0	0	0	0	0	0	0
30	0	0	0	7.7	-----	0	0	0	0	0	0	0
31	0	-----	.02	7.7	-----	0	-----	0	-----	0	0	-----
Total	2.60	0	0.17	488.13	293.92	39.04	0	0	0	0	0	0
Mean	.084	0	.006	15.7	10.5	1.26	0	0	0	0	0	0
Max	.39	0	.12	84	64	4.1	0	0	0	0	0	0
Min	0	0	0	0	0	0	0	0	0	0	0	0
Acre-Ft	5.2	0	.3	968	583	77	0	0	0	0	0	0
Wtr Year 2005	Total	823.86	Mean	2.26	Max	84	Min	0	Acre-Ft	1630		
Cal Year 2004	Total	28.44	Mean	.078	Max	8.9	Min	0	Acre-Ft	56		

RUNOFF - DAILY DISCHARGE

Los Angeles County Dept of Public Works

USDAY V43 Output 06/14/2006

Summary Report

Site: F54C Topanga Creek Above Mouth of Canyon
 USGS #:
 Beginning Date: 10/01/2004
 Ending Date: 09/30/2005

Daily Mean Discharge in Cubic feet/second Water Year Oct 2004 to Sep 2005

Day	OCT	NOV	DEC	JAN	FEB	MAR	APR	MAY	JUN	JUL	AUG	SEP
1	1.0	8.6	7.0	152	168	43	22	18	20	16	10	9.0
2	1.0	7.5	7.2	148	150	40	22	18	21	16	10	7.7
3	1.0	7.2	7.2	429	133	38	22	18	21	16	10	6.5
4	1.1	7.0	7.2	87	119	39	21	18	21	16	10	5.4
5	1.1	6.7	18	73	107	35	21	21	21	15	10	4.5
6	1.1	6.6	17	73	96	32	20	20	21	15	10	3.7
7	1.1	6.6	10	363	87	31	20	18	21	15	10	2.9
8	1.0	7.0	16	637	79	29	20	18	21	15	9.8	2.9
9	1.0	7.0	11	2000	71	28	20	18	21	15	9.7	3.0
10	1.1	7.1	9.5	1410	64	27	19	18	21	15	9.6	3.0
11	1.1	7.0	9.1	504	59	26	19	17	21	15	9.7	3.0
12	1.1	7.1	8.6	183	53	26	19	18	21	14	9.7	3.0
13	1.1	7.2	8.3	181	46	25	19	18	21	14	9.7	3.0
14	1.1	7.4	8.3	181	38	24	19	18	21	14	9.7	3.0
15	1.1	7.8	8.4	181	35	23	19	18	21	14	9.8	3.0
16	1.2	8.0	8.0	181	33	23	18	18	21	13	9.8	3.0
17	2.0	8.1	8.0	181	35	23	18	19	20	13	9.8	3.0
18	4.7	8.2	8.1	181	336	23	18	19	20	13	9.8	3.0
19	79	8.3	8.1	181	512	24	18	19	19	13	10	2.5
20	127	10	8.6	180	601	22	18	19	19	13	9.9	2.1
21	16	10	8.4	178	980	21	18	18	19	12	9.8	2.1
22	9.7	7.4	8.4	178	351	126	17	18	18	12	9.8	2.1
23	8.1	7.0	8.1	178	178	46	17	18	18	12	9.8	2.2
24	7.5	6.9	8.0	178	91	32	17	18	18	12	9.8	2.2
25	7.2	6.9	7.9	178	72	28	17	19	17	11	9.8	2.1
26	45	6.9	8.2	178	60	26	17	19	17	11	9.6	2.1
27	103	7.3	13	178	52	25	17	19	17	11	9.6	2.1
28	29	7.7	520	178	47	25	36	19	17	11	9.6	2.2
29	17	6.8	286	178	-----	24	19	19	17	11	9.6	2.3
30	13	6.7	67	178	-----	23	19	19	16	10	9.6	2.2
31	10	-----	522	178	-----	23	-----	19	-----	10	9.7	-----
Total	495.4	224.0	1650.6	9464	4653	980	586	573	587	413	303.7	98.8
Mean	16.0	7.47	53.2	305	166	31.6	19.5	18.5	19.6	13.3	9.80	3.29
Max	127	10	522	2000	980	126	36	21	21	16	10	9.0
Min	1.0	6.6	7.0	73	33	21	17	17	16	10	9.6	2.1
Acre-Ft	983	444	3270	18770	9230	1940	1160	1140	1160	819	602	196
Wtr Year 2005	Total	20028.5	Mean	54.9	Max	2000	Min	1.0	Acre-Ft	39730		
Cal Year 2004	Total	3874.88	Mean	10.6	Max	649	Min	.56	Acre-Ft	7690		

RUNOFF - DAILY DISCHARGE

Los Angeles County Dept of Public Works

USDAY V43 Output 06/14/2006

Summary Report

Site: F252 Verdugo Wash At Estelle Avenue
 USGS #:
 Beginning Date: 10/01/2004
 Ending Date: 09/30/2005

Daily Mean Discharge in Cubic feet/second Water Year Oct 2004 to Sep 2005

Day	OCT	NOV	DEC	JAN	FEB	MAR	APR	MAY	JUN	JUL	AUG	SEP
1	5.4	7.3	11	20	16	46	20	15	11	16	14	15
2	5.4	7.0	11	70	16	43	20	15	11	16	14	12
3	5.4	8.0	8.1	159	15	44	20	15	12	16	14	12
4	5.4	7.1	7.4	29	15	345	20	15	11	16	14	12
5	5.4	7.2	35	20	15	180	19	29	11	16	14	13
6	5.4	7.0	7.8	17	15	58	18	20	11	16	13	11
7	5.4	6.9	7.2	264	15	40	18	15	11	16	12	10
8	5.4	7.4	8.5	648	15	34	18	13	12	16	15	11
9	5.4	7.1	7.1	1350	14	32	18	15	12	17	15	12
10	5.4	7.4	6.9	957	13	30	17	13	12	17	15	13
11	5.4	7.4	6.7	494	459	28	16	12	12	16	15	13
12	5.4	7.2	6.8	178	254	28	16	12	12	17	14	13
13	5.4	6.8	7.0	87	67	27	16	12	12	17	16	12
14	5.4	6.6	7.2	49	30	27	16	13	12	17	15	13
15	5.4	6.6	7.4	41	20	25	16	13	12	17	14	13
16	5.5	6.4	6.3	36	17	24	16	13	11	16	12	12
17	39	6.7	6.4	32	23	23	15	13	12	16	12	13
18	29	7.3	6.4	28	237	23	15	13	12	16	12	12
19	270	7.3	6.2	27	679	24	16	13	12	16	13	13
20	538	24	7.0	25	762	24	16	13	13	16	13	37
21	22	18	6.8	23	1060	23	15	13	14	16	12	16
22	7.6	7.4	7.3	22	570	239	16	13	15	16	13	14
23	7.1	6.8	6.7	21	533	265	17	13	15	16	13	13
24	7.0	7.2	6.5	20	256	57	17	12	15	17	13	12
25	6.4	7.1	6.3	18	170	34	16	12	16	14	13	13
26	204	7.8	6.6	20	116	28	15	11	17	13	13	11
27	504	21	49	21	72	25	15	12	15	13	13	10
28	92	8.0	805	31	54	23	118	11	15	13	13	11
29	14	6.2	464	25	-----	23	16	11	15	13	13	11
30	8.2	9.0	27	18	-----	21	15	11	15	14	12	12
31	7.3	-----	151	17	-----	21	-----	11	-----	14	12	-----
Total	1842.1	257.2	1713.6	4767	5528	1864	606	422	386	485	416	395
Mean	59.4	8.57	55.3	154	197	60.1	20.2	13.6	12.9	15.6	13.4	13.2
Max	538	24	805	1350	1060	345	118	29	17	17	16	37
Min	5.4	6.2	6.2	17	13	21	15	11	11	13	12	10
Acre-Ft	3650	510	3400	9460	10960	3700	1200	837	766	962	825	783
Wtr Year 2005	Total	18681.9	Mean	51.2	Max	1350	Min	5.4	Acre-Ft	37060		
Cal Year 2004	Total	5838.5	Mean	16.0	Max	805	Min	1.4	Acre-Ft	11580		

RUNOFF - DAILY DISCHARGE

Los Angeles County Dept of Public Works

USDAY V43 Output 06/14/2006

Summary Report

Site: F304 Walnut Creek at Puente Avenue
 USGS #:
 Beginning Date: 10/01/2004
 Ending Date: 09/30/2005

Daily Mean Discharge in Cubic feet/second Water Year Oct 2004 to Sep 2005

Day	OCT	NOV	DEC	JAN	FEB	MAR	APR	MAY	JUN	JUL	AUG	SEP
1	.18	2.8	2.8	204	16	4.9	5.6	1.4	1.7	1.3	1.3	.87
2	.18	1.6	1.2	220	13	5.5	5.4	1.4	1.7	1.3	1.4	1.0
3	.20	1.8	1.2	92	12	4.5	4.7	1.4	3.2	1.2	1.5	.80
4	.23	3.0	1.2	11	11	57	4.5	1.6	1.7	1.2	3.0	.81
5	.23	3.7	24	26	1.3	18	4.2	2.6	1.6	1.2	2.7	.89
6	.28	3.6	3.7	219	5.8	20	2.8	17	3.6	1.1	1.2	1.5
7	.25	3.6	1.2	467	1.5	31	1.5	1.3	3.7	1.1	1.4	.98
8	.23	46	2.2	608	2.2	26	2.1	1.2	3.7	1.4	3.0	.83
9	.42	9.5	.85	1210	1.1	6.3	1.2	5.2	3.9	1.3	3.4	1.4
10	.44	3.8	.98	1010	4.2	3.0	1.2	8.0	2.3	1.2	2.3	1.1
11	.45	3.6	.93	943	414	2.9	4.0	8.4	1.7	1.3	3.5	1.2
12	.39	3.3	.93	927	205	3.0	6.4	8.5	1.6	1.3	2.4	1.1
13	.39	3.3	.94	882	260	2.8	6.7	5.2	1.7	1.4	1.1	.93
14	.43	3.3	.92	488	238	1.9	7.1	1.7	1.4	2.5	1.2	1.3
15	.59	2.4	1.0	237	73	1.9	4.5	1.7	1.8	1.4	1.9	1.1
16	.74	.92	1.2	235	7.1	1.9	1.3	2.0	3.4	1.3	1.8	1.3
17	105	1.0	.93	178	22	22	1.5	1.5	3.2	1.2	.80	1.3
18	70	1.0	.87	135	188	106	1.7	2.5	1.3	1.3	.93	1.2
19	48	.96	.92	134	1110	135	2.2	1.9	1.2	1.2	.97	3.2
20	840	36	.96	134	865	46	1.6	2.9	2.6	1.3	1.1	42
21	19	108	5.6	134	1370	44	1.5	2.4	2.8	1.9	.96	6.2
22	17	3.5	8.0	131	663	299	2.1	1.9	2.7	1.2	.94	3.8
23	15	3.1	.96	130	462	105	1.5	1.8	2.3	1.1	1.7	2.4
24	15	3.2	.89	129	181	148	1.6	2.0	1.9	1.3	2.7	1.3
25	81	2.7	.97	126	33	98	1.6	1.8	1.2	1.2	2.3	1.3
26	361	2.7	.93	172	18	10	1.6	1.5	1.2	1.6	2.1	2.6
27	322	63	76	93	13	9.2	1.9	2.0	1.6	1.2	.91	3.1
28	51	6.3	429	75	9.9	11	181	1.6	3.5	1.6	1.0	2.0
29	28	3.3	474	42	-----	11	1.6	1.6	3.3	1.2	2.3	1.4
30	9.4	3.3	134	24	-----	9.9	1.3	1.7	1.3	1.9	2.9	1.5
31	4.1	-----	473	12	-----	8.4	-----	1.7	-----	1.6	4.2	-----
Total	1991.13	334.28	1652.28	9428	6200.1	1253.1	265.9	97.4	68.8	42.3	58.91	90.41
Mean	64.2	11.1	53.3	304	221	40.4	8.86	3.14	2.29	1.36	1.90	3.01
Max	840	108	474	1210	1370	299	181	17	3.9	2.5	4.2	42
Min	.18	.92	.85	11	1.1	1.9	1.2	1.2	1.2	1.1	.80	.80
Acre-Ft	3950	663	3280	18700	12300	2490	527	193	136	84	117	179
Wtr Year 2005	Total	21482.61	Mean	58.9	Max	1370	Min	.18	Acre-Ft	42610		
Cal Year 2004	Total	6054.23	Mean	16.5	Max	840	Min	.18	Acre-Ft	12010		

RUNOFF - DAILY DISCHARGE

Los Angeles County Dept of Public Works

USDAY V43 Output 06/14/2006

Summary Report

Site: F40 Puddingstone Creek Below Dam
 USGS #:
 Beginning Date: 10/01/2004
 Ending Date: 09/30/2005

Daily Mean Discharge in Cubic feet/second Water Year Oct 2004 to Sep 2005

Day	OCT	NOV	DEC	JAN	FEB	MAR	APR	MAY	JUN	JUL	AUG	SEP
1	1.6	15	.57	150	20	1.0	2.0	2.0	1.5	1.5	1.6	1.3
2	1.6	15	.57	129	1.6	1.1	1.8	2.0	1.6	1.5	1.6	1.3
3	1.6	15	.69	1.3	1.6	1.2	1.8	1.9	1.4	1.5	1.7	1.4
4	1.6	8.8	.68	6.8	1.6	3.6	2.0	1.9	1.5	1.5	1.6	1.4
5	1.6	1.4	.70	38	1.6	13	2.1	2.0	1.6	1.5	1.6	1.4
6	1.5	1.4	.76	180	1.6	18	2.0	2.1	1.5	1.5	1.6	1.4
7	1.1	1.4	.71	144	1.6	27	2.0	2.1	1.4	1.6	1.6	1.4
8	1.1	5.9	.57	94	1.6	18	2.1	2.2	1.4	1.5	1.6	1.3
9	1.1	11	.41	104	1.6	1.6	2.0	2.2	1.4	1.5	1.7	1.4
10	1.1	8.4	.40	483	1.6	1.6	2.1	2.0	1.3	1.4	1.7	1.5
11	1.1	1.2	.47	767	2.0	1.6	2.1	1.9	1.3	1.5	1.6	1.5
12	1.1	1.2	.47	792	125	1.6	1.9	1.9	1.3	1.5	1.6	1.5
13	1.1	1.2	.40	780	194	1.5	1.9	1.9	1.3	1.4	1.6	1.5
14	1.1	1.3	.42	462	170	1.6	1.9	1.8	1.3	1.4	1.6	1.5
15	1.1	6.9	.47	178	42	1.6	1.9	1.7	1.4	1.4	1.7	1.5
16	1.1	11	.42	178	1.4	1.8	1.9	1.9	1.7	1.4	1.7	1.5
17	1.2	11	.47	60	1.5	28	1.9	1.8	1.7	1.4	1.6	1.5
18	1.2	4.5	.47	1.6	1.9	79	2.0	8.6	1.7	1.3	1.6	1.4
19	1.1	1.0	.51	1.6	257	85	2.0	12	1.7	1.4	1.6	1.5
20	2.6	1.1	.57	1.6	669	35	2.0	7.4	1.7	1.6	1.6	1.5
21	6.9	1.2	.50	1.6	324	35	2.0	1.3	1.7	1.5	1.5	1.4
22	16	.84	.47	1.7	345	36	2.0	1.3	1.6	1.4	1.4	1.3
23	15	.80	.47	1.7	229	78	2.0	1.3	1.7	1.6	1.4	1.3
24	15	.71	.47	1.8	99	121	2.0	1.4	1.7	1.6	1.4	1.5
25	80	.63	.47	17	1.6	69	2.0	1.4	1.7	1.5	1.5	1.5
26	86	.58	.55	29	1.4	1.8	1.9	1.4	1.5	1.5	1.5	1.5
27	2.0	.65	.60	29	1.4	1.7	2.0	1.4	1.5	1.5	1.4	1.5
28	7.7	.57	.26	29	1.0	1.6	2.1	1.5	1.5	1.5	1.2	1.5
29	15	.57	.39	29	-----	1.8	2.0	1.6	1.5	1.6	1.1	1.4
30	15	.57	104	29	-----	1.9	1.9	1.6	1.5	1.6	1.2	1.4
31	15	-----	105	29	-----	2.0	-----	1.6	-----	1.5	1.3	-----
Total	300.2	130.82	347.66	4749.7	2500.6	672.6	59.3	77.1	45.6	46.1	47.4	41.6
Mean	9.68	4.36	11.2	153	89.3	21.7	1.98	2.49	1.52	1.49	1.53	1.43
Max	86	15	105	792	669	121	2.1	12	1.7	1.6	1.7	1.5
Min	1.1	.57	.40	1.3	1.0	1.0	1.8	1.3	1.3	1.3	1.1	1.3
Acre-Ft	595	259	690	9420	4960	1330	118	153	90	91	94	83
Wtr Year 2005	Total	9018.68	Mean	24.8	Max	792	Min	.40	Acre-Ft	17890		
Cal Year 2004	Total	1372.68	Mean	3.75	Max	105	Min	.40	Acre-Ft	2720		

APPENDIX D

HYDROLOGIC REPORT 2004 – 2005

RUNOFF – STREAM GAGING STATION PEAK FLOW

RUNOFF – STREAM GAGING STATION PEAK FLOW

ALHAMBRA WASH *above* Klingerman Street
STATION NO. F81D-R

Season	Daily CFS			Total Runoff (Acre-feet)	Peak Inflow	
	Maximum	Minimum	Mean		Date	CFS
1929-30	N.D.	0.0	N.D.	635.0	Mar 14	1,870
1930-31	226.0	0.0	2.1	1,480	Feb 03	1,530
1931-32	220.0	0.0	2.7	1,940	Jan 31	1,120
1932-33	418.0	0.0	2.3	1,680	Jan 19	1,850
1933-34	1,770.0	0.0	8.0	5,820	Jan 01	4,890
1934-35	219.0	0.0	3.3	2,380	Jan 05	2,280
1935-36	144.0	0.0	2.0	1,420	Feb 12	1,700
1936-37	309.0	0.0	5.4	3,880	Mar 15	2,470
1937-38	997.0	0.0	7.6	5,520	Mar 02	5,010
1938-39	288.0	0.0	4.1	2,990	Jan 05	2,480
1939-40	130.0	0.0	2.4	1,730	Feb 01	1,280
1940-41	219.0	0.0	7.8	5,650	Mar 03	2,080
1941-42	193.0	0.0	2.5	1,810	Dec 10	2,320
1942-43	893.0	0.0	8.4	6,070	Mar 04	4,480
1943-44	454.0	+	5.6	4,100	Feb 22	1,860
1944-45	199.0	0.1	3.1	2,250	Nov 11	2,220
1945-46	342.0	0.1	4.1	3,000	Dec 22	1,600
1946-47	345.0	0.1	5.2	3,800	Nov 13	3,810
1947-48	155.0	0.1	2.8	2,040	Mar 24	2,670
1948-49	95.0	0.2	2.8	2,020	Dec 17	758
1949-50	254.0	0.2	4.3	3,090	Feb 06	1,630
1950-51	106.0	0.2	3.3	2,360	Jan 11	1,620
1951-52	594.0	0.2	12.5	9,040	Jan 16	3,810
1952-53	228.0	0.1	4.5	3,240	Nov 15	3,140
1953-54	369.0	0.2	5.2	3,770	Feb 13	2,410
1954-55	185.0	0.2	4.2	3,020	Jan 18	1,890
1955-56	1,100.0	0.3	7.6	5,520	Jan 26	4,550
1956-57	242.0	0.6	6.1	4,440	Feb 23	3,090
1957-58	544.0	0.3	12.8	9,270	Feb 19	4,830
1958-59	279.0	0.2	4.2	3,020	Jan 06	3,170
1959-60	200.0	0.1	3.8	2,720	Jan 11	1,710
1960-61	153.0	0.3	2.5	1,790	Nov 05	1,480

M Data Missing
 * Record incomplete
 E Estimate
 N.D. Not determined
 ** Record not Computed
 + Less than 0.05 Acre Feet or less than 0.05 CFS, but greater than 0

RUNOFF – STREAM GAGING STATION PEAK FLOW

ALHAMBRA WASH *above* Klingerman Street
STATION NO. F81D-R

Season	Daily CFS			Total Runoff (Acre-feet)	Peak Inflow	
	Maximum	Minimum	Mean		Date	CFS
1961-62	382.0	0.1	9.1	6,270	Feb 12	2,560
1962-63	359.0	0.1	4.0	2,880	Mar 16	2,210
1963-64	196.0	0.2	4.0	2,870	Jan 21	2,210
1964-65	339.0	0.1	6.4	4,610	Apr 09	3,730
1965-66	686.0	0.3	10.7	7,740	Nov 24	3,520
1966-67	662.0	0.4	12.2	8,820	Jan 22	3,550
1967-68	398.0	0.4	6.5	4,740	Mar 08	3,480
1968-69	999.0	0.4	17.0	12,300	Feb 06	3,980
1969-70	486.0	0.3	5.3	1,871	Feb 28	3,430
1970-71	648.0	0.4	7.1	2,601	Nov 29	4,040
1971-72	449.0	0.3	2.5	3,000	Dec 24	2,000
1972-73	555.0	0.3	12.6	9,110	Feb 11	4,450
1973-74	813.0	0.3	7.9	5,720	Jan 07	4,330
1974-75	429.0	0.3	5.6	4,070	Dec 04	6,000
1975-76	274.0	0.3	5.3	3,790	Feb 05	1,820
1976-77	252.0	0.3	6.0	4,340	Oct 22	1,770
1977-78	695.0	0.3	17.0	11,927	Mar 01	5,950
1978-79	836.0	0.3	10.5	7,614	Mar 27	4,484
1979-80	1,240.0	0.3	18.4	13,051	Feb 16	6,660
1980-81	196.0	0.1	5.1	3,720	Mar 19	2,750
1981-82	371.0	0.2	6.0	4,317	Mar 17	2,410
1982-83	1,050.0	0.1	17.8	12,941	Mar 01	7,010
1983-84	235.0	0.4	3.7	2,715	Dec 25	2,480
1984-85	260.0	0.3	4.9	3,543	Dec 19	3,050
1985-86	329.0	0.3	9.2	6,633	Mar 08	4,130
1986-87	177.0	0.6	3.6	2,579	Oct 02	5,670
1987-88	386.0	0.6	7.0	5,048	Dec 04	4,500
1988-89	226.0	0.9	5.2	3,570	Dec 21	1,410
1989-90	530.0	0.9	4.8	3,483	Feb 17	2,010
1990-91	452.0	0.6	7.6	5,437	Mar 01	2,700
1991-92	570.0	0.7	13.8	10,008	Feb 12	6,340
1992-93	796.0	1.0	20.5	14,810	Dec 07	5,880

M Data Missing
 * Record incomplete
 E Estimate
 N.D. Not determined
 ** Record not Computed
 + Less than 0.05 Acre Feet or less than 0.05 CFS, but greater than 0

RUNOFF – STREAM GAGING STATION PEAK FLOW

ALHAMBRA WASH *above* Klingerman Street
STATION NO. F81D-R

Season	Daily CFS			Total Runoff (Acre-feet)	Peak Inflow	
	Maximum	Minimum	Mean		Date	CFS
1993-94	260.0	0.5	7.1	5,157	Mar 24	3,000
1994-95	875.0	0.2	14.3	10,380	Mar 10	8,080
1995-96	462.0	0.4	7.0	5,071	Jan 31	8,110
1996-97	279.0	0.3	8.7	6,260	Jan 15	2,640
1997-98	727.0	0.6	20.2	14,660	Feb 06	7,770
1998-99	142.0	0.3	6.1	4,400	Nov 28	3,500
1999-00	306.0	0.4	8.5	6,170	Feb 21	4,480
2000-01	404.0	0.6	10.2	7,380	Jan 11	3,220
2001-02	325.6	0.8	7.5	5,457.4	Nov 24	6,153
2002-03	881.7	0.5	13.3	9,652.4	Mar 15	5,980
2003-04	784.9	0.3	10.0	7,538.9	Feb 26	6,030
2004-05	982.0	0.0	27.3	19,800.0	Feb 20	7,180

M	Data Missing
*	Record incomplete
E	Estimate
N.D.	Not determined
**	Record not Computed
+	Less than 0.05 Acre Feet or less than 0.05 CFS, but greater than 0

RUNOFF – STREAM GAGING STATION PEAK FLOW

ARCADIA WASH *below* Grand Avenue
STATION NO. F317-R

Season	Daily CFS			Total Runoff (Acre-feet)	Peak Inflow	
	Maximum	Minimum	Mean		Date	CFS
1956-57	108.0	0.1	1.8	1,340	Feb 23	1,184
1957-58	212.0	0.1	4.6	3,330	Feb 01	1,932
1958-59	127.0	0.2	1.9	1,360	Jan 06	1,270
1959-60	101.0	0.3	1.7	1,220	Apr 27	593
1960-61	69.0	+	1.1	831.0	Nov 05	570
1961-62	408.0	0.1	4.7	3,400	Feb 11	1,480
1962-63	153.0	0.2	2.1	1,510	Feb 09	600
1963-64	120.0	0.1	2.2	1,620	Nov 20	1,340
1964-65	153.0	0.1	3.1	2,270	Apr 09	1,460
1965-66	267.0	0.1	4.7	3,430	Dec 29	1,270
1966-67	283.0	0.3	6.3	4,560	Jan 22	1,260
1967-68	M	M	M	M		M
1968-69	M	M	M	M		M
1969-70	M	M	M	M		M
1970-71	M	M	M	M		M
1971-72	M	M	M	M		M
1972-73	M	M	M	M		M
1973-74	279.0	0.3	4.0	2,910	Jan 07	931
1974-75	207.0	0.3	3.2	2,290	Dec 04	2,560
1975-76	167.0	0.3	3.6	2,600	Sep 11	1,400
1976-77	119.0	0.2	2.9	2,121	Oct 23	1,320
1977-78	355.0	0.2	9.4	6,823	Feb 10	4,110
1978-79	128.0	0.2	4.5	3,263	Mar 27	1,290
1979-80	633.0	0.0	9.9	7,025	Jan 29	3,280
1980-81	104.0	0.4	2.8	1,991	Jan 29	1,050
1981-82	208.0	0.4	4.3	3,137	Mar 17	2,470
1982-83	435.0	0.4	10.8	7,824	Mar 01	4,110
1983-84	121.0	0.0	3.2	2,354	Oct 01	1,430
1984-85	137.0	0.1	4.7	3,399	Dec 19	1,420
1985-86	211.0	0.0	8.4	6,116	Mar 08	1,760
1986-87	172.0	0.1	3.5	2,530	Oct 02	2,410
1987-88	284.0	0.1	5.4	3,915	Jan 17	4,360
1988-89	114.0	0.1	3.7	2,521	Dec 21	507

M Data Missing
 * Record incomplete
 E Estimate
 N.D. Not determined
 ** Record not Computed
 + Less than 0.05 Acre Feet or less than 0.05 CFS, but greater than 0

RUNOFF – STREAM GAGING STATION PEAK FLOW

ARCADIA WASH *below* Grand Avenue
STATION NO. F317-R

Season	Daily CFS			Total Runoff (Acre-feet)	Peak Inflow	
	Maximum	Minimum	Mean		Date	CFS
1989-90	728.0	0.1	3.5	2,505	Apr 17	1,330
1990-91	228.0	0.1	5.0	3,598	Feb 28	2,120
1991-92	301.0	0.1	11.1	8,043	Feb 12	3,190
1992-93	586.0	0.3	17.3	12,560	Jan 17	2,720
1993-94	239.0	0.0	6.4	4,661	Mar 19	1,360
1994-95	480.0	0.1	11.1	8,032	Mar 11	2,740
1995-96	405.0	0.4	5.2	3,764	Feb 20	1,560
1996-97	206.0	0.5	6.3	4,540	Jan 26	1,430
1997-98	489.0	0.6	13.3	9,640	Feb 06	2,850
1998-99	151.0	0.5	4.2	3,020	Jan 26	1,040
1999-00	162.0	0.1	4.3	3,150	Feb 21	1,750
2000-01	240.0	0.2	6.0	4,320	Jan 11	1,380
2001-02	161.3	0.6	2.6	1,904.0	Nov 24	2,712
2002-03	0.0	0.0	6.5	0.0	Mar 15	2,120
2003-04	319.8	0.5	4.5	3,272.4	Feb 26	2,660
2004-05	558.0	0.3	16.6	12,000.0	Oct 20	3,680

M	Data Missing
*	Record incomplete
E	Estimate
N.D.	Not determined
**	Record not Computed
+	Less than 0.05 Acre Feet or less than 0.05 CFS, but greater than 0

RUNOFF – STREAM GAGING STATION PEAK FLOW

ARROYO SECO *below* Devil's Gate Dam
 STATION NO. F277-R

Season	Daily CFS			Total Runoff (Acre-feet)	Peak Inflow	
	Maximum	Minimum	Mean		Date	CFS
1942-43	3,190.0	0.0	33.4	23,895.5	Jan 23	5,640
1943-44	965.0	0.0	12.4	8,316.1	Feb 20	1,540
1944-45	187.0	0.1	3.7	2,559.5	Mar 15	610
1945-46	272.0	0.0	2.2	1,598.5	Dec 23	445
1946-47	410.0	0.0	5.7	4,147.7	Dec 27	610
1947-48	1.6	0.0	0.1	51.8		2
1948-49	1.3	0.0	0.0	17.7	Jun 13	2
1949-50	21.0	0.0	0.1	70.0	Nov 10	106
1950-51	0.3	0.0	0.0	1.4	Sep 04	26
1951-52	788.0	0.0	15.5	11,462.3	Jan 18	999
1952-53	11.8	0.0	0.1	77.0	Jan 11	25
1953-54	70.0	0.0	0.9	622.4	Jan 25	127
1954-55	1.7	0.0	0.3	195.4	Apr 30	14
1955-56	327.0	0.0	2.0	1,472.9	Jan 27	411
1956-57	5.8	0.0	0.3	234.0	Oct 04	124
1957-58	351.0	0.0	10.9	7,647.9	Feb 04	546
1958-59	129.0	0.0	0.7	482.0	Feb 16	156
1959-60	1.6	0.0	0.4	261.0	Jan 11	7
1960-61	70.0	0.0	0.6	434.6	Nov 25	360
1961-62	544.0	0.0	7.4	5,003.7	Feb 11	891
1962-63	12.0	0.0	0.5	371.6	Jun 21	51
1963-64	41.0	0.0	0.4	307.7	Jun 26	214
1964-65	28.0	0.0	0.4	312.7	Jul 12	128
1965-66	1,683.0	0.0	18.5	13,337.3	Nov 23	2,110
1966-67	858.0	0.0	9.4	6,902.7	Dec 06	1,620
1967-68	N.D.					
1968-69	N.D.					
1969-70	N.D.					
1970-71	N.D.					
1971-72	N.D.					
1972-73	N.D.					
1973-74	N.D.					
1974-75	48.0	0.0	0.9	688.7	Apr 01	1,225

M Data Missing
 * Record incomplete
 E Estimate
 N.D. Not determined
 ** Record not Computed
 + Less than 0.05 Acre Feet or less than 0.05 CFS, but greater than 0

RUNOFF – STREAM GAGING STATION PEAK FLOW

ARROYO SECO *below* Devil's Gate Dam
STATION NO. F277-R

Season	Daily CFS			Total Runoff (Acre-feet)	Peak Inflow	
	Maximum	Minimum	Mean		Date	CFS
1975-76	281.0	0.0	1.8	1,289.1	Sep 11	1,040
1976-77	175.0	0.0	2.9	2,093.6	May 09	450
1977-78	1,670.0	0.0	43.9	31,799.4	Mar 04	5,790
1978-79	177.0	0.0	6.5	4,692.3	Feb 21	321
1979-80	3,156.0	0.0	41.1	28,630.2	Feb 17	4,844
1980-81	84.0	0.0	3.1	2,266.3	Mar 24	314
1981-82	934.0	0.0	9.1	6,619.8	Mar 18	1,276
1982-83	2,700.0	0.1	37.4	27,062.5	Mar 02	3,260
1983-84	100.0	0.0	1.5	1,074.6	Dec 01	526
1984-85	250.0	0.0	2.4	1,754.4	Dec 21	873
1985-86	109.0	0.0	4.0	2,876.8	Mar 15	349
1986-87	N.D.					
1987-88	124.0	0.0	0.0	0.0		
1988-89	52.3	0.0	1.5	1,042.1	Feb 09	52
1989-90	11.8	0.0	72.4	284.8		
1990-91	572.0	0.0	7.0	506.4		
1991-92	3,530.0	0.0	44.6	32,380.2	Feb 11	5,970
1992-93	403M	1.3M	8.8M	3210.05M		M
1993-94	84.4	0.1	2.5	1,842.1	Mar 23	1,330
1994-95	505.0	0.0	33.9	24,565.9	Feb 13	691
1995-96	408.0	0.0	4.7	3,443.1	Feb 21	477
1996-97	77.0	0.0	2.3	1,678.9	Jan 15	362
1997-98	164.0	0.0	14.0	10116.63E		N.D.
1998-99	16E	0.0	0.6	455.25E		N.D.
1999-00	325E	0.0	4.3	3090E		N.D.
2000-01	620E	0.0	16.2	11760E		N.D.
2004-05	8,110.0	0.4	185.0	125,000.0	Jan 09	11,700

M	Data Missing
*	Record incomplete
E	Estimate
N.D.	Not determined
**	Record not Computed
+	Less than 0.05 Acre Feet or less than 0.05 CFS, but greater than 0

RUNOFF – STREAM GAGING STATION PEAK FLOW

AZUSA CONDUIT (sandbox 10ft weir)
 STATION NO. F220B-R

Season	Daily CFS			Total Runoff (Acre-feet)	Peak Inflow	
	Maximum	Minimum	Mean		Date	CFS
1932-33	92.4	0.0	27.5	17,043.0		
1933-34	86.0	0.0	27.3	19,770.0		
1934-35	94.0	6.2	64.3	46,570.0		
1935-36	86.0	9.1	40.7	29,500.0		
1936-37	93.0	+	29.0	21,030.0		
1937-38	94.0	+	16.4	11,910.0		
1938-39	0.0	0.0	0.0	0.0		
1939-40	90.0	+	32.7	23,760.0		
1940-41	89.0	+	23.2	16,820.0		
1941-42	91.0	+	53.0	38,360.0		
1942-43	94.0	0.1	36.6	26,510.0		
1943-44	94.0	+	56.9	41,310.0		
1944-45	96.0	+	59.2	42,910.0		
1945-46	92.0	+	55.0	39,820.0		
1946-47	92.0	0.1	64.7	46,900.0		
1947-48	60.0	+	34.4	24,960.0		
1948-49	70.0	0.1	24.0	17,380.0		
1949-50	82.0	19.0	37.5	27,140.0		
1950-51	70.0	0.0	11.5	8,310.0		
1951-52	91.0	0.0	65.2	47,300.0		
1952-53	89.0	+	43.7	31,680.0		
1953-54	89.0	+	38.8	28,090.0		
1954-55	85.0	30.0	50.6	36,600.0		
1955-56	86.0	14.8	49.0	35,580.0		
1956-57	86.0	0.0	36.8	26,670.0		
1957-58	87.0	0.0	27.8	20,140.0		
1958-59	89.0	12.4	49.4	35,730.0		
1959-60	50.0	5.3	24.6	17,850.0		
1960-61	45.0	0.0	12.2	8,820.0		
1961-62	86.0	0.0	57.4	41,570.0		
1962-63	83.0	0.0	33.0	23,930.0		
1963-64	48.0	8.0	31.0	22,490.0		
1964-65D	81.0	0.1	35.8	25,900.0		

M Data Missing
 * Record incomplete
 E Estimate
 N.D. Not determined
 ** Record not Computed
 + Less than 0.05 Acre Feet or less than 0.05 CFS, but greater than 0

RUNOFF – STREAM GAGING STATION PEAK FLOW

AZUSA CONDUIT (sandbox 10ft weir)
 STATION NO. F220B-R

Season	Daily CFS			Total Runoff (Acre-feet)	Peak Inflow	
	Maximum	Minimum	Mean		Date	CFS
1965-66D	83.0	0.0	35.7	25,840.0		
1966-67B	84.0	0.0	41.8	30,250.0		
1967-68	82.0	+	50.3	36,480.0		
1968-69	54.0	0.0	1.1	777.0		
1969-70	61.0	0.0	5.4	3,920.0		
1970-71	75.0	0.0	42.4	30,710.0		
1971-72	70.0	0.0	25.6	18,590.0		
1972-73	76.0	0.0	19.0	13,656.4		
1973-74	82.0	0.0	62.2	44,943.1		
1974-75	78.0	0.0	54.4	39,380.8		
1975-76	76.9	0.9	46.1	33,590.5		
1976-77	70.7	1.1	40.7	29,491.0		
1977-78	N.D.					
1978-79	N.D.					
1979-80	N.D.					
1980-81	N.D.					
1981-82	N.D.					
1982-83*	*	*	*	*		
1983-84	N.D.					
1984-85	N.D.					
1985-86	N.D.					
1986-87	N.D.					
1987-88	N.D.					
1988-89	845.0	0.0	47.0	34,048.7	Dec 06	86
1989-90	N.D.					
1990-91	N.D.					
1991-92	N.D.					
1992-93*	84*	12.9*	63.1*	14650*		
1993-94	N.D.					
1994-95	N.D.					
1995-96	N.D.					
1996-97	N.D.					
1997-98	79.0	0.0	46.8	33,850.0	Jul 26	91

M Data Missing
 * Record incomplete
 E Estimate
 N.D. Not determined
 ** Record not Computed
 + Less than 0.05 Acre Feet or less than 0.05 CFS, but greater than 0

RUNOFF – STREAM GAGING STATION PEAK FLOW

AZUSA CONDUIT (sandbox 10ft weir)
 STATION NO. F220B-R

Season	Daily CFS			Total Runoff (Acre-feet)	Peak Inflow	
	Maximum	Minimum	Mean		Date	CFS
1998-99	74.0	0.0	64.2	46,450.0	Nov 27	85
1999-00	72.0	0.0	38.0	27,600.0	Jul 03	77
2000-01	73.0	0.0	44.5	32,200.0	Jul 14	76
2001-02	53.7	0.1	18.1	13,131.4	Nov 19	55
2002-03	17.5	0.0	0.4	320.6	Apr 08	29
2003-04	43.6	0.0	15.0	10,545.1	Nov 25	65
2004-05	57.0	0.0	11.4	8,250.0	Apr 28	85

M	Data Missing
*	Record incomplete
E	Estimate
N.D.	Not determined
**	Record not Computed
+	Less than 0.05 Acre Feet or less than 0.05 CFS, but greater than 0

RUNOFF – STREAM GAGING STATION PEAK FLOW

AZUSA CONDUIT (Sandbox 20' weir)
 STATION NO. F250-R

Season	Daily CFS			Total Runoff (Acre-feet)	Peak Inflow	
	Maximum	Minimum	Mean		Date	CFS
1934-35	116.0*	26.1*	81.0	36,610*		
1935-36	109.0	0.0	42.1	30,540		
1936-37	94.0	0.0	27.3	19,740		
1937-38	104.0	0.0	15.4	11,160		
1938-39	103.0	0.0	5.9	4,280		
1939-40	94.0	0.0	47.4	34,440		
1940-41	110.0	0.0	23.8	17,220		
1941-42	92.0	0.0	23.8	39,940		
1942-43	106.0	0.0	44.6	32,250		
1943-44	97.0	0.0	59.3	43,050		
1944-45	142.0	0.0	81.5	59,050		
1945-46	139.0	0.0	66.3	47,930		
1946-47	138.0	0.0	73.2	52,990		
1947-48	60.0	0.0	36.9	26,830		
1948-49	70.0	0.0	25.0	18,120		
1949-50	82.0	20.0	37.4	27,060		
1950-51	70.0	0.0	11.9	8,610		
1951-52	96.0	0.0	65.3	47,400		
1952-53	89.0	0.0	43.7	31,660		
1953-54	90.0	0.0	38.8	28,070		
1954-55	84.0	30.0	50.6	36,610		
1955-56	86.0	14.7	49.0	35,580		
1956-57	86.0	0.0	36.7	26,670		
1957-58	103.0	0.0	29.7	21,500		
1958-59	90.0	12.3	49.2	35,620		
1959-60	50.0	5.1	24.6	17,840		
1960-61	45.0	0.0	12.2	8,830		
1961-62	86.0	0.0	57.1	41,330		
1962-63	82.0	0.1	33.9	24,550		
1963-64	48.0	8.0	31.0	22,490		
1964-65	81.0	0.1	35.8	25,900		
1965-66	83.0	0.0	35.7	25,840		
1966-67	100.0	0.0	52.7	38,130		

M Data Missing
 * Record incomplete
 E Estimate
 N.D. Not determined
 ** Record not Computed
 + Less than 0.05 Acre Feet or less than 0.05 CFS, but greater than 0

RUNOFF – STREAM GAGING STATION PEAK FLOW

AZUSA CONDUIT (Sandbox 20' weir)
STATION NO. F250-R

Season	Daily CFS			Total Runoff (Acre-feet)	Peak Inflow	
	Maximum	Minimum	Mean		Date	CFS
1967-68	82.0	15.0	60.4	43,810		
1968-69	32.0	0.0	8.8	6,380		
1969-70	M	M	M	M		
1970-71	M	M	M	M		
1971-72	M	M	M	M		
1972-73	M	M	M	M		
1973-74	M	M	M	M		
1974-75	78.0	0.0	54.4	39,389	Oct 01	78
1975-76	76.9	0.9	45.9	33,347	Sep 30	145
1976-77	M	M	M	M		
1977-78	78.2	0.0	1.5	33,240		85
1978-79	105.0	49.1	72.2	52,249	Jul 02	106
1979-80	101.0	1.5	39.8	28,882	Jul 29	105
1980-81	99.3	0.0	53.7	38,894	Mar 16	105
1981-82	80.7	24.3	55.7	40,319		82
1982-83	84.6	34.1	2.3	50,283	Mar 04	98
1983-84	79.4	0.0	1.5	33,803	Feb 06	86
1984-85	*	*	*	*		N.D.
1985-86	80.7	0.0	56.0	40,696		
1986-87	44.9	0.0	29.2	21,124	Jan 08	47
1987-88	79.4	0.2	35.5	25,806	Sep 29	52
1988-89	85.2	0.0	46.6	33,739		
1989-90	34.8	0.0	21.9	15,863	Jul 16	35
1990-91	79.4	3.0	28.4	20,280	Sep 28	79
1991-92	82.6	0.0	52.0	37,764	Apr 29	101
1992-93	84.0	0.0	49.7	36,010	Feb 12	97
1993-94	82.2	0.0	58.5	42,340	Oct 25	89
1994-95	83.9	0.0	59.9	43,350	Feb 19	86
1995-96	76.6	0.0	55.4	40,190	Nov 06	90
1996-97	82.0	0.0	59.2	42,880	Jan 26	84
1997-98	83.0	0.0	51.3	37,140	Jul 04	109
1998-99	139.0	0.0	69.4	50,240	Nov 20	142
1999-00	73.0	0.0	38.0	27,610	Oct 01	76

M Data Missing
 * Record incomplete
 E Estimate
 N.D. Not determined
 ** Record not Computed
 + Less than 0.05 Acre Feet or less than 0.05 CFS, but greater than 0

RUNOFF – STREAM GAGING STATION PEAK FLOW

AZUSA CONDUIT (Sandbox 20' weir)
 STATION NO. F250-R

Season	Daily CFS			Total Runoff (Acre-feet)	Peak Inflow	
	Maximum	Minimum	Mean		Date	CFS
2000-01	87.0	0.0	46.5	33,640	Jul 06	90
2001-02	54.6	0.1	18.1	13,134.4	Nov 24	59
2002-03	85.9	0.0	17.6	19,987.7	Mar 27	94
2003-04	0.0	0.0	26.0	0.0	May 12	110
2004-05	83.0	0.0	30.7	22,200.0	Apr 28	130

M	Data Missing
*	Record incomplete
E	Estimate
N.D.	Not determined
**	Record not Computed
+	Less than 0.05 Acre Feet or less than 0.05 CFS, but greater than 0

RUNOFF – STREAM GAGING STATION PEAK FLOW

**BALLONA CREEK *above* Sawtelle Blvd.
STATION NO. F38C-R**

Season	Daily CFS			Total Runoff (Acre-feet)	Peak Inflow	
	Maximum	Minimum	Mean		Date	CFS
1927-28	N.D.	0.0	N.D.	3,930	May 08	1,100
1928-29	1,150.0	0.0	20.6	14,900	Mar 10	4,990
1929-30	1,130.0	0.0	18.6	13,480	Jan 11	4,460
1930-31	1,500.0	0.0	25.6	18,520	Apr 26	6,280
1931-32	1,780.0	0.0	30.0	21,790	Dec 28	6,130
1932-33	1,660.0	0.0	21.8	15,810	Jan 19	7,000
1933-34	4,310.0	0.0	28.5	20,630	Jan 01	11,300
1934-35	2,190.0	0.0	34.4	24,870	Apr 08	11,200
1935-36	929.0	0.0	19.3	13,500	Feb 12	8,070
1936-37	2,160.0	0.0	56.2	40,680	Dec 30	8,940
1937-38	7,330.0	3.6	72.5	52,500	Mar 02	19,000
1938-39	3,080.0	1.8	39.4	28,490	Dec 17	9,900
1939-40	1,270.0	1.3	29.1	21,110	Feb 03	9,730
1940-41	2,680.0	3.1	93.0	67,360	Dec 23	17,300
1941-42	990.0	2.8	23.8	17,250	Dec 10	7,500
1942-43	4,840.0	2.6	47.3	34,240	Jan 22	13,200
1943-44	3,010.0	3.4	45.4	33,000	Feb 22	8,800
1944-45	1,200.0	3.0	33.8	24,450	Nov 11	9,380
1945-46	1,830.0	3.8	25.4	18,380	Dec 22	7,750
1946-47	1,960.0	2.8	36.3	26,300	Dec 25	9,630
1947-48	1,000.0	3.5	18.8	13,630	Mar 24	12,700
1948-49	668.0	2.8	22.2	16,090	Feb 07	5,740
1949-50	1,620.0	1.4	32.1	23,250	Feb 06	7,670
1950-51	756.0	0.7	26.1	18,860	Jan 10	5,460
1951-52	2,520.0	3.5	73.5	53,350	Jan 16	12,800
1952-53	1,140.0	4.8	27.5	19,910	Nov 15	11,500
1953-54	3,570.0	5.4	39.3	28,480	Feb 13	18,900
1954-55	1,210.0	5.4	29.8	21,600	Jan 18	9,370
1955-56	6,510.0	5.2	44.7	34,590	Jan 26	18,700
1956-57	1,790.0	6.3	30.7	22,240	Feb 23	13,900
1957-58	3,000.0	6.3	59.4	43,040	Feb 19	15,200
1958-59	1,210.0	4.2	19.0	13,730	Jan 06	8,170

M	Data Missing
*	Record incomplete
E	Estimate
N.D.	Not determined
**	Record not Computed
+	Less than 0.05 Acre Feet or less than 0.05 CFS, but greater than 0

RUNOFF – STREAM GAGING STATION PEAK FLOW

**BALLONA CREEK *above* Sawtelle Blvd.
STATION NO. F38C-R**

Season	Daily CFS			Total Runoff (Acre-feet)	Peak Inflow	
	Maximum	Minimum	Mean		Date	CFS
1959-60	1,290.0	2.2	23.7	17,190	Jan 11	12,500
1960-61	945.0	4.2	17.3	12,560	Nov 05	7,700
1961-62	3,490.0	3.2	69.2	50,090	Feb 19	12,900
1962-63	1,940.0	3.2	29.6	21,450	Mar 16	12,100
1963-64	789.0	3.9	24.8	18,000	Jan 22	6,420
1964-65	1,590.0	3.9	38.0	27,540	Apr 09	17,600
1965-66	3,620.0	5.3	61.5	44,540	Nov 22	18,000
1966-67	3,020.0	6.7	62.1	45,300	Nov 07	13,900
1967-68	6,350.0	8.2	55.9	40,570	Nov 21	32,500
1968-69	4,840.0	8.2	101.0	73,060	Jan 25	17,000
1969-70	1,380.0	7.6	30.7	22,230	Feb 28	1,380
1970-71	3,170.0	8.8	50.8	35,620	Nov 29	14,600
1971-72	1,900.0	7.6	31.3	22,700	Dec 24	11,100
1972-73	2,590.0	8.8	65.9	47,730	Jan 16	17,600
1973-74	3,510.0	8.8	56.8	41,060	Jan 07	11,000
1974-75	2,490.0	6.2	47.8	34,590	Dec 04	20,560
1975-76	1,390.0	6.2	30.6	22,230	Sep 10	12,940
1976-77	1,760.0	4.6	38.6	27,930	Oct 23	10,173
1977-78	4,441.0	4.2	112.8	81,659	Feb 10	28,088
1978-79	2,220.0	6.6	60.3	43,680	Mar 27	9,710
1979-80	4,630.0	6.2	99.2	70,454	Feb 15	27,000
1980-81	1,090.0	6.6	27.8	20,111	Mar 02	7,300
1981-82	1,380.0	5.8	41.3	29,922	Apr 01	8,110
1982-83	5,690.0	8.2	119.0	86,347	Mar 01	23,100
1983-84	1,440.0	10.0	36.7	26,672		N.D.
1984-85	1,810.0	8.2	38.3	27,714	Feb 09	9,670
1985-86	2,750.0	8.8	67.7	49,043	Feb 14	17,200
1986-87	752.0	7.6	19.4	13,986		N.D.
1987-88	2,920.0	5.0	57.5	41,772	Dec 04	13,400
1988-89	941.0	7.6	1.3	27,763	Dec 17	3,580
1989-90	3,140.0	7.6	32.3	23,364	Feb 17	8,090
1990-91	2,150.0	3.0	37.5	27,133	Mar 19	10,800

M	Data Missing
*	Record incomplete
E	Estimate
N.D.	Not determined
**	Record not Computed
+	Less than 0.05 Acre Feet or less than 0.05 CFS, but greater than 0

RUNOFF – STREAM GAGING STATION PEAK FLOW

**BALLONA CREEK *above* Sawtelle Blvd.
STATION NO. F38C-R**

Season	Daily CFS			Total Runoff (Acre-feet)	Peak Inflow	
	Maximum	Minimum	Mean		Date	CFS
1991-92	2,490.0	7.0	62.3	45,191	Feb 12	17,200
1992-93	*	*	*	*		*
1993-94	1,450.0	9.7	38.9	28,150	Feb 07	14,400
1994-95	4,680.0	9.4	103.0	74,450	Mar 10	24,000
1995-96	2,930.0	12.0	53.4	38,740	Jan 31	8,230
1996-97	1,830.0	9.7	54.8	39,670	Dec 09	9,890
1997-98	3,040.0	8.3	111.0	80,630	Feb 06	22,900
1998-99	1,260.0	10.0	41.7	30,160	Jan 31	6,150
1999-00	1,690.0	7.8	61.2	44,450	Feb 21	12,500
2000-01	2,540.0	7.9	86.4	62,520	Jan 11	19,400
2001-02	1,128.1	9.8	36.9	26,697.9	Nov 24	12,167
2002-03	4,057.6	7.6	76.1	55,088.2	Mar 15	17,100
2003-04	2,041.8	8.2	49.0	35,410.7	Feb 25	15,000
2004-05	5,230.0	16.0	182.0	132,000.0	Dec 29	16,500

M	Data Missing
*	Record incomplete
E	Estimate
N.D.	Not determined
**	Record not Computed
+	Less than 0.05 Acre Feet or less than 0.05 CFS, but greater than 0

RUNOFF – STREAM GAGING STATION PEAK FLOW

**BIG DALTON CREEK *below* Big Dalton Dam
STATION NO. F120B-R**

Season	Daily CFS			Total Runoff (Acre-feet)	Peak Inflow	
	Maximum	Minimum	Mean		Date	CFS
1939-40	1.3	0.0	0.3	206.5		
1940-41	66.0	0.0	4.0	2,888.7	Mar 05	67
1941-42	2.8	0.0	0.3	234.9		
1942-43	103.0	0.0	4.4	3,181.5	Mar 04	111
1943-44	35.0	0.0	1.7	1,159.5	Feb 23	56
1944-45	13.2	0.0	1.2	840.4	Mar 15	34
1945-46	5.0	0.0	0.8	549.1	Dec 23	34
1946-47	11.0	0.0	0.8	545.9	Oct 03	30
1947-48	2.6	0.0	0.0	15.3	Feb 05	20
1948-49	7.4	0.0	0.1	99.8	Dec 18	25
1949-50	8.7	0.0	0.2	122.0	Jan 21	11
1950-51	1.9	0.0	0.0	14.5	Jan 11	10
1951-52	33.0	0.0	2.2	1,607.4	Jan 19	34
1952-53	7.0	0.0	0.1	106.9	Jan 15	38
1953-54	8.6	0.0	0.5	363.0	Feb 15	9
1954-55	3.5	0.0	0.0	7.3	Oct 01	7
1955-56	25.0	0.0	0.3	222.1	Aug 08	37
1956-57	11.5	0.0	0.0	22.8	Nov 09	18
1957-58	28.0	0.0	3.0	2,144.7	Apr 05	37
1958-59	15.0	0.0	0.2	138.8	Apr 13	31
1959-60	1.7	0.0	0.0	10.1	Jul 21	5
1960-61	14.3	0.0	0.2	166.2	Nov 14	37
1961-62	25.0	0.0	1.4	1,001.7	Feb 17	25
1962-63	18.3	0.0	0.2	162.2	Oct 08	35
1963-64	18.0	0.0	0.4	295.9	Jan 22	2
1964-65	19.5	0.0	0.3	220.4	Apr 26	20
1965-66	32.0	0.0	2.8	1,996.6	Nov 22	52
1966-67	216.0	0.0	6.7	4,839.9	Dec 06	615
1967-68	N.D.					
1968-69	N.D.					
1969-70	N.D.					
1970-71	N.D.					

M	Data Missing
*	Record incomplete
E	Estimate
N.D.	Not determined
**	Record not Computed
+	Less than 0.05 Acre Feet or less than 0.05 CFS, but greater than 0

RUNOFF – STREAM GAGING STATION PEAK FLOW

**BIG DALTON CREEK *below* Big Dalton Dam
STATION NO. F120B-R**

Season	Daily CFS			Total Runoff (Acre-feet)	Peak Inflow	
	Maximum	Minimum	Mean		Date	CFS
1971-72	N.D.					
1972-73	N.D.					
1973-74	N.D.					
1974-75	11.1	0.0	0.4	295.5	May 06	125
1975-76	12.5	0.0	0.7	487.7	Jun 08	19
1976-77	0.8	0.0	0.0	21.4	Apr 12	2
1977-78	226.0	0.0	0.3	6,185.5	Mar 05	263
1978-79	16.5	0.0	0.1	1,735.3	Apr 12	1,735
1979-80	564.0	0.1	0.3	7,435.8	Feb 17	1,170
1980-81	4.8	0.0	0.5	361.2	Jan 29	22
1981-82	21.7	0.0	1.2	903.1	Mar 25	22
1982-83	268.0	0.1	7.6	5,466.2	Mar 01	457
1983-84	6.7	0.0	0.0	705.3	Dec 25	8
1984-85	7.9	0.0	0.8	585.1	Dec 19	11
1985-86	16.1	0.0	1.2	855.1	Mar 19	18
1986-87	5.1	0.0	0.2	214.2	Jan 27	7
1987-88	7.7	0.0	0.6	444.3	Sep 12	9
1988-89	10.3	0.0	0.5	363.6	Feb 15	17
1989-90	4.7	0.0	0.1	68.6	Jan 26	5
1990-91	10.9	0.0	0.6	454.8	Mar 28	11
1991-92	19.9	0.0	1.6	1,161.0	Feb 19	22
1992-93	311.0	0.0	9.9	7,136.0	Jan 16	415
1993-94	10.1	0.0	0.4	296.0	Apr 06	13
1994-95	99.1	0.0	5.7	3,814.0	Feb 23	146
1995-96	28.0	0.0	1.7	1,251.0	Feb 22	71
1996-97	18.0	0.0	1.5	1,100.0	Jan 27	19
1997-98	183.0	0.0	6.5	4,700.0	Feb 23	539
1998-99	459.0	0.0	2.7	1,970.0	Oct 14	1,300
1999-00	10.0	0.0	0.3	241.0	Mar 27	11
2000-01	10.0	0.0	0.4	320.0	Sep 27	20
2001-02	0.6	0.0	0.0	26.6	Dec 14	2
2002-03	15.2	0.0	0.8	565.3	May 03	79
2003-04	16.3	0.0	0.9	625.7	Mar 02	25

M Data Missing
 * Record incomplete
 E Estimate
 N.D. Not determined
 ** Record not Computed
 + Less than 0.05 Acre Feet or less than 0.05 CFS, but greater than 0

RUNOFF – STREAM GAGING STATION PEAK FLOW

BIG DALTON CREEK *below* Big Dalton Dam
STATION NO. F120B-R

Season	Daily CFS			Total Runoff (Acre-feet)	Peak Inflow	
	Maximum	Minimum	Mean		Date	CFS
2004-05	467.0	0.1	10.2	7,350.0		

M	Data Missing
*	Record incomplete
E	Estimate
N.D.	Not determined
**	Record not Computed
+	Less than 0.05 Acre Feet or less than 0.05 CFS, but greater than 0

RUNOFF – STREAM GAGING STATION PEAK FLOW

BIG ROCK CREEK *upstream from* Pallet Creek
STATION NO. F394-R

Season	Daily CFS			Total Runoff (Acre-feet)	Peak Inflow	
	Maximum	Minimum	Mean		Date	CFS
1986-87	39.2	0.1	4.2	3,064.9	Mar 06	45
1987-88	82.7	0.0	8.8	6,422.3		
1988-89	12.6	2.0	4.7	3,547.0		
1989-90	3.5	0.3	2.0	1,323.0		
1990-91	26.6	0.0	4.1	4,003.0		
1991-92	94.7	1.2	24.6	17,879.8	Feb 11	93
1992-93*	151.0	8.5	55.9	28,728.8		
1993-94*	27.7	3.3	10.3	6,828.3		
1994-95*	4,500.0	2.6	57.3	36,513.1		
1995-96	1,510.0	2.1	15.6	11,296.9	Feb 21	6,020
1996-97*	204.0	0.7	7.2	5,186.5	Dec 09	2,750
1997-98	2,900.0	0.5	48.6	35,210.4	Feb 23	13,900
1998-99	18.0	1.0	4.4	3,189.6	Nov 28	57
1999-00*	330.0	0.5	3.9	2,853.9	Feb 20	3,450
2000-01	36.0	0.9	9.0	6,540.0	Jan 11	68
2001-02	0.5	0.1	0.3		Sep 04	1
2002-03	0.0	0.0	8.3	0.0	Feb 12	1,230
2003-04	105.0	104.0	4.9	3,580.0	Feb 26	410
2004-05	1,600.0	2.0	93.7	67,670.0	Jan 09	2,800

M Data Missing
 * Record incomplete
 E Estimate
 N.D. Not determined
 ** Record not Computed
 + Less than 0.05 Acre Feet or less than 0.05 CFS, but greater than 0

RUNOFF – STREAM GAGING STATION PEAK FLOW

**BIG TUJUNGA CREEK *below* Big Tujunga Dam
STATION NO. F168-R**

Season	Daily CFS			Total Runoff (Acre-feet)	Peak Inflow	
	Maximum	Minimum	Mean		Date	CFS
1932-33	14.9	0.5	6.2	4,491.7	Jan 19	58
1933-34	15.4	0.2	5.9	4,295.0	Jan 01	44
1934-35	339.0	0.6	14.9	10,766.1	Apr 28	547
1935-36	44.0	0.2	7.5	5,469.0	Nov 18	101
1936-37	385.4	0.1	36.4	25,852.8	Feb 16	385
1937-38	107.0	0.0	13.1	9,605.0	Mar 02	33,000
1938-39	263.0	0.7	12.5	9,095.0	Dec 23	424
1939-40	285.0	0.2	10.0	7,202.4	Jan 08	747
1940-41	1,080.0	0.2	82.8	59,098.9	Feb 21	1,590
1941-42	47.0	0.0	10.6	7,722.0	Dec 31	47
1942-43	6,640.0	0.2	72.9	52,911.9	Jan 23	17,700
1943-44	2,300.0	0.3	57.9	41,721.7	Feb 22	3,310
1944-45	221.0	0.8	17.2	12,231.5	Nov 13	300
1945-46	491.0	0.0	17.0	12,404.0	Mar 30	983
1946-47	460.0	0.7	17.7	12,827.5		
1947-48	28.0	0.4	4.9	3,579.0	Jul 15	54
1948-49	4.5	0.1	2.3	1,648.5	Aug 31	5
1949-50	5.4	0.2	2.6	1,909.5	Jul 02	5
1950-51	12.0	0.2	1.7	1,236.7	Aug 22	15
1951-52	1,040.0	0.5	35.9	26,232.0	Jan 18	1,860
1952-53	51.0	0.1	6.5	4,725.8	Sep 22	86
1953-54	128.0	0.2	7.4	5,341.3	Mar 01	158
1954-55	15.5	0.1	3.2	2,287.3	Oct 03	18
1955-56	135.0	0.1	4.6	3,403.6	Jan 26	148
1956-57	8.6	0.0	2.3	1,650.0	May 22	43
1957-58	1,120.0	0.0	38.6	27,543.3	Apr 04	1,320
1958-59	116.0	0.2	4.5	3,184.9	Feb 16	124
1959-60	6.5	0.0	2.2	1,612.6	Jun 02	7
1960-61	4.6	0.0	1.0	697.2	Nov 08	11
1961-62	1,680.0	0.0	24.7	16,857.1	Feb 11	3,700
1962-63	7.5	0.0	1.8	1,301.8	Feb 09	13
1963-64	12.5	0.0	2.6	1,914.4	Aug 26	51

M	Data Missing
*	Record incomplete
E	Estimate
N.D.	Not determined
**	Record not Computed
+	Less than 0.05 Acre Feet or less than 0.05 CFS, but greater than 0

RUNOFF – STREAM GAGING STATION PEAK FLOW

**BIG TUJUNGA CREEK *below* Big Tujunga Dam
STATION NO. F168-R**

Season	Daily CFS			Total Runoff (Acre-feet)	Peak Inflow	
	Maximum	Minimum	Mean		Date	CFS
1964-65	7.8	0.0	2.1	1,495.3	May 10	12
1965-66	2,110.0	0.0	41.2	29,824.9	Nov 22	2,910
1966-67	699.0	9.2	41.8	30,358.0	Dec 06	1,550
1967-68	N.D.					
1968-69	N.D.					
1969-70	N.D.					
1970-71	N.D.					
1971-72	N.D.					
1972-73	N.D.					
1973-74	N.D.					
1974-75	N.D.					
1975-76	69.0	0.0	5.3	3,861.2	Sep 11	155
1976-77	184.0	0.0	4.4	3,547.6	May 10	184
1977-78	3,700.0	0.3	125.1	90,579.4	Feb 10	18,300
1978-79	526.0	0.0	41.4	29,978.2	Mar 28	564
1979-80	2,093.0	0.2	95.6	69,176.7	Feb 16	5,840
1980-81	335.0	0.0	16.7	12,069.2	May 04	500
1981-82	393.0	0.0	22.9	16,555.8	Mar 18	470
1982-83	7,171.0	0.0	136.0	98,612.6	Mar 01	9,900
1983-84	179.0	0.1	15.6	11,314.3	Dec 25	360
1984-85	145.0	0.2	9.6	6,952.3	Dec 19	253
1985-86	351.0	0.3	16.3	11,685.8	Jan 30	475
1986-87	16.4	0.1	3.9	2,779.8		
1987-88	175.0	0.1	8.7	6,284.0		
1988-89	115.0	0.0	6.1	4,079.8		
1989-90	60.2	0.0	2.0	1,380.1		
1990-91	603.0	0.0	16.7	12,160.1	Mar 01	603
1991-92	1,280.0	0.0	43.8	31,790.0	Feb 12	1,780
1992-93	2,040.0	0.0	122.0	88,460.0	Feb 19	3,620
1993-94	113.0	0.0	15.7	9,415.0	Feb 08	159
1994-95	475.0	0.2	47.7	34,530.0	Jan 10	475
1995-96	251.0	0.0	12.0	8,107.0	Feb 21	455

M Data Missing
* Record incomplete
E Estimate
N.D. Not determined
** Record not Computed
+ Less than 0.05 Acre Feet or less than 0.05 CFS, but greater than 0

RUNOFF – STREAM GAGING STATION PEAK FLOW

**BIG TUJUNGA CREEK *below* Big Tujunga Dam
STATION NO. F168-R**

Season	Daily CFS			Total Runoff (Acre-feet)	Peak Inflow	
	Maximum	Minimum	Mean		Date	CFS
1996-97	168.0	0.0	11.1	8,030.0	Jan 27	188
1997-98	1,590.0	0.0	66.0	46,970.0		
1998-99	71.0	0.0	7.7	5,580.0	Jun 04	131
1999-00	123.0	0.0	7.4	5,390.0	Feb 21	171
2000-01	175.0	0.0	9.7	7,020.0		N.D.
2001-02	29.9	0.0	1.3	934.8	Oct 23	240
2002-03	340.8	0.0	9.8	7,072.1	Mar 05	1,290
2003-04	92.2	0.0	2.9	2,117.2	Mar 03	157
2004-05	3,720.0	0.1	182.0	132,000.0	Jan 09	7,540

M	Data Missing
*	Record incomplete
E	Estimate
N.D.	Not determined
**	Record not Computed
+	Less than 0.05 Acre Feet or less than 0.05 CFS, but greater than 0

RUNOFF – STREAM GAGING STATION PEAK FLOW

**BOUQUET CANYON CREEK @ Urbandale Avenue
STATION NO. F377-R**

Season	Daily CFS			Total Runoff (Acre-feet)	Peak Inflow	
	Maximum	Minimum	Mean		Date	CFS
1967-68	66.0	0.0	1.1	823.0	Nov 19	713
1968-69	528.0	0.0	3.4	2,450	Feb 25	3,256
1969-70	11.0	0.0	0.1	11.0	Mar 01	20
1970-71	30.0	0.0	2.2	1,290	Dec 18	273
1971-72	36.0	0.0	0.7	499.0	Dec 27	101
1972-73	81.0	0.0	0.4	300.0	Feb 11	750
1973-74	8.8	0.0	+	33.0	Jan 07	20
1974-75	11.0	0.0	0.1	76.0	Mar 05	512
1975-76	NO RECORD					
1976-77	*	*	*	*	Aug 17	26*
1977-78	*	*	*	*	Mar 04	*
1978-79	*	*	*	*	Mar 28	*
1979-80	180.0	0.0	7.4	5,253		N.D.
1980-81	44.1	0.0	0.9	680.0	Jan 28	530
1981-82	*	*	*	*	Mar 17	*
1982-83	235.0	0.0	4.2	3,080	Mar 01	448
1983-84	18.9	0.0	0.3	188.0		N.D.
1984-85	43.8	0.0	0.3	228.0	Dec 19	45
1985-86	140.0	0.0	1.2	908.0	Mar 16	360
1986-87	7.7	0.0	+	43.0	Mar 05	10
1987-88	52.6	0.0	0.6	439.0		N.D.
1988-89	137.0	0.0	0.6	479.0	Dec 16	339
1989-90	2.8	0.0	0.1	30.0		N.D.
1990-91	0.3	0.0	0.1	9.0		N.D.
1991-92	72.3	0.0	0.9	662.0	Feb 12	712
1992-93	*	*	*	*		*
1993-94	28.7	0.0	0.8	474.0		N.D.
1994-95	301.0	0.0	2.9	2,098	Jan 10	578
1995-96	38.3	0.0	0.7	544.0	Jan 31	149
1996-97	21.0	0.0	0.5	339.0	Dec 09	79
1997-98	258.0	0.0	3.2	2,290	Feb 23	731
1998-99	6.5*	0.0*	0.1*	89E	Apr 12	67
1999-00	111.0*	0.0*	0.7*	513E	Feb 23	339

M Data Missing
 * Record incomplete
 E Estimate
 N.D. Not determined
 ** Record not Computed
 + Less than 0.05 Acre Feet or less than 0.05 CFS, but greater than 0

RUNOFF – STREAM GAGING STATION PEAK FLOW

**BOUQUET CANYON CREEK @ Urbandale Avenue
STATION NO. F377-R**

Season	Daily CFS			Total Runoff (Acre-feet)	Peak Inflow	
	Maximum	Minimum	Mean		Date	CFS
2000-01	0.2*	0.0*	+	20*	Oct 01	0
2001-02	*	*	*	*		
2002-03	0.0	0.0	0.7	0.0	Feb 12	562
2003-04	44.0	0.0	0.5	356.0	Feb 25	329
2004-05	1,050.0	0.0	12.1	8,760.0	Jan 10	3,330

M	Data Missing
*	Record incomplete
E	Estimate
N.D.	Not determined
**	Record not Computed
+	Less than 0.05 Acre Feet or less than 0.05 CFS, but greater than 0

RUNOFF – STREAM GAGING STATION PEAK FLOW

BRADBURY CHANNEL *below* Central Avenue
STATION NO. F329-R

Season	Daily CFS			Total Runoff (Acre-feet)	Peak Inflow	
	Maximum	Minimum	Mean		Date	CFS
1957-58	7.3	0.0	0.2	170.0	Feb 19	65
1958-59	29.0	0.0	0.3	182.0	Jan 06	1,250
1959-60	5.2	0.0	0.1	59.0	Dec 24	40
1960-61	4.5	0.0	0.0	30.0	Nov 03	60
1961-62	50.0	0.0	0.7	518.0	Jan 20	316
1962-63	9.4	0.0	0.2	120.0	Feb 09	24
1963-64	5.6	0.0	0.2	114.0	Jan 22	168
1964-65	11.0	0.0	0.2	157.0	Apr 09	248
1965-66	46.0	0.0	0.6	448.0	Dec 29	552
1966-67	52.0	0.0	0.7	547.0	Jan 24	280
1967-68	30.0	0.0	0.4	319.0	Mar 08	370
1968-69	131.0	0.0	2.6	938.0	Feb 06	472
1969-70	47.0	0.0	0.6	408.0	Mar 01	267
1970-71	20.0	0.0	0.4	261.0	Dec 21	130
1971-72	24.0	0.0	0.2	172.0	Dec 24	145
1972-73	61.0	0.0	1.2	438.0	Feb 27	424
1973-74	39.0	0.0	0.8	609.0	Jan 07	111
1974-75	28.0	0.0	0.4	268.0	Dec 04	325
1975-76	14.0	+	0.4	326.0	Sep 11	210
1976-77	26.4	+	0.5	374.0	Oct 23	166
1977-78	75.6	+	2.7	1,670	Feb 10	357
1978-79	49.0	0.0	1.6	1,160	Jan 15	297
1979-80	155.0	0.0	8.3	5,984	Jan 28	574
1980-81	29.7	0.0	1.1	781.0	Jan 29	477
1981-82	41.2	0.0	1.2	870.0	Mar 17	305
1982-83	111.0	0.0	2.4	1,716	Sep 29	422
1983-84	21.7	0.0	0.7	549.0	Oct 01	230
1984-85	24.4	0.0	0.9	672.0		N.D.
1985-86	34.8	0.0	0.8	581.0	Jan 31	267
1986-87	5.7	0.0	0.5	361.0	Jan 04	174
1987-88	166.0	0.0	2.8	2,019	Dec 04	286
1988-89	25.3	0.0	1.1	758.0	Feb 04	119
1989-90	19.6	0.1	1.2	877.0	May 28	20

M Data Missing
 * Record incomplete
 E Estimate
 N.D. Not determined
 ** Record not Computed
 + Less than 0.05 Acre Feet or less than 0.05 CFS, but greater than 0

RUNOFF – STREAM GAGING STATION PEAK FLOW

BRADBURY CHANNEL *below* Central Avenue
STATION NO. F329-R

Season	Daily CFS			Total Runoff (Acre-feet)	Peak Inflow	
	Maximum	Minimum	Mean		Date	CFS
1990-91	44.6	0.0	1.8	1,267	Feb 27	391
1991-92	50.9	0.0	1.2	877.0	Feb 12	334
1992-93	83.6	0.0	3.2	2,310	Jan 14	534
1993-94	14.6	0.0	0.6	470.0	Mar 24	193
1994-95	82.7	0.0	2.3	1,652	Feb 14	170
1995-96	97.6	0.0	1.8	1,283	Feb 20	320
1996-97	28.0	+	1.0	708.0	Nov 21	168
1997-98	71.0	+	1.5	1,110	Feb 07	400
1998-99	16.0	+	0.5	351.0	Jan 26	170
1999-00	25.0	+	1.1	826.0	Feb 20	297
2000-01	36.0	+	1.4	1,000	Jan 11	195
2001-02	18.4	0.0	0.3	221.4	Nov 24	325
2002-03	41.4	0.0	0.8	546.4	Feb 13	249
2003-04	1.8	0.0	0.4	8.7	Feb 26	241
2004-05	135.0	0.0	4.2	3,050.0	Feb 21	470

M	Data Missing
*	Record incomplete
E	Estimate
N.D.	Not determined
**	Record not Computed
+	Less than 0.05 Acre Feet or less than 0.05 CFS, but greater than 0

RUNOFF – STREAM GAGING STATION PEAK FLOW

BRANFORD STREET CHANNEL *below* Sharp Avenue
STATION NO. F342-R

Season	Daily CFS			Total Runoff (Acre-feet)	Peak Inflow	
	Maximum	Minimum	Mean		Date	CFS
1961-62	118.0	0.0	1.0*	743*	Feb 19	206
1962-63	46.0	0.0	0.6	415.0	Apr 26	284
1963-64	32.0	0.0	0.5	375.0	Mar 22	275
1964-65	56.0	0.0	0.8	571.0	Apr 09	261
1965-66	110.0	0.0	1.4	982.0	Dec 29	587
1966-67	79.0	0.0	1.2	870.0	Nov 07	445
1967-68	120.0	0.0	1.0	693.0	Nov 21	576
1968-69	160.0	0.0	3.0	2,190	Feb 25	738
1969-70	65.0	0.0	1.0	724.0	Feb 09	462
1970-71	175.0*	0.0	1.6*	1,162*	Nov 29	990*
1971-72	50.0	0.0	0.5	360.0	Dec 24	233
1972-73	50.0	0.0	2.1	1,530	Feb 11	771
1973-74	90.0	0.0	1.0	710.0	Jan 07	412
1974-75	75.0	+	0.9	668.0	Mar 06	882
1975-76	61.0	0.0	0.8	550.0	Sep 10	742
1976-77	66.9	0.0	0.9	633.0	May 09	490
1977-78	126.0	0.0	3.0	2,153	Feb 10	1,160
1978-79	80.0	0.0	1.5	1,052	Mar 27	823
1979-80	158.0	0.0	1.9	1,380	Feb 19	1,530
1980-81	45.6	0.0	0.6	471.0	Jan 29	683
1981-82	67.8	0.0	1.2	685.0	Mar 17	688
1982-83	230.0	0.0	2.9	2,134	Mar 01	1,520
1983-84	34.2	0.0	0.4	326.0	Dec 25	190
1984-85	53.3	0.0	0.6	423.0	Dec 18	800
1985-86	43.1	0.0	1.1	760.0	Jan 31	728
1986-87	20.7	0.0	0.2	144.0	Nov 17	386
1987-88	123.0	0.0	1.5	1,058	Oct 22	1,830
1988-89	30.2	0.0	0.7	478.0	Dec 20	242
1989-90	46.9	0.0	0.5	372.0	Jan 13	383
1990-91	64.6	0.0	1.0	726.0		N.D.
1991-92	238.0	0.0	2.8	2,001	Feb 10	1,450
1992-93	*	*	*	*		*
1993-94	35.3*	0.0*	0.7*	464*		N.D.

M Data Missing
 * Record incomplete
 E Estimate
 N.D. Not determined
 ** Record not Computed
 + Less than 0.05 Acre Feet or less than 0.05 CFS, but greater than 0

RUNOFF – STREAM GAGING STATION PEAK FLOW

**BRANFORD STREET CHANNEL *below* Sharp Avenue
STATION NO. F342-R**

Season	Daily CFS			Total Runoff (Acre-feet)	Peak Inflow	
	Maximum	Minimum	Mean		Date	CFS
1994-95	175.0*	0.0*	3.0*	2,076*	Mar 10	1,770
1995-96	68.4	0.0	0.9	652.0	Feb 21	574
1996-97	56.0	0.1	1.3	917.0	Dec 22	578
1997-98	124.0	0.1	3.4	2,470	Feb 07	1,240
1998-99	19.0	0.1	1.0	717.0	Oct 29	679
1999-00	63.0	0.1	1.6	1,130	Apr 18	670
2000-01	95.0	0.2	2.0	1,470	Jan 11	1,080
2001-02	38.6	0.2	0.7	520.2		
2002-03	196.8	0.2	2.3	1,668.2	Mar 15	1,270
2003-04	61.7	0.1	0.9	634.9	Feb 26	586
2004-05	161.0	0.1	4.6	3,300.0	Jan 09	1,550

M	Data Missing
*	Record incomplete
E	Estimate
N.D.	Not determined
**	Record not Computed
+	Less than 0.05 Acre Feet or less than 0.05 CFS, but greater than 0

RUNOFF – STREAM GAGING STATION PEAK FLOW

BURBANK WESTERN STORM DRAIN @ Riverside Drive
STATION NO. E285-R

Season	Daily CFS			Total Runoff (Acre-feet)	Peak Inflow	
	Maximum	Minimum	Mean		Date	CFS
1950-51	50.0	1.2	4.0	2,870	Jan 11	920
1951-52	310.0	1.2	8.9	6,490	Jan 16	1,400
1952-53	89.0	0.0	4.7	3,400	Dec 20	1,380
1953-54	144.0	2.1	5.7	4,140	Mar 16	1,070
1954-55	123.0	1.2	5.6	4,020	Jan 18	849
1955-56	400.0	2.0	5.6	4,070	Jan 26	N.D.
1956-57	192.0	1.6	4.9	3,530	Feb 23	1,770
1957-58	232.0	1.9	8.2	5,950	Feb 19	1,270
1958-59	222.0	1.6	4.9	3,540	Feb 11	1,650
1959-60	112.0	1.7	4.5	3,280	Jan 10	854
1960-61	170.0	1.7	4.9	3,570	Nov 05	1,400
1961-62	583.0	1.7	10.2	7,380	Feb 12	2,310
1962-63	444.0	0.6	6.4	4,640	Feb 09	1,800
1963-64	141.0	1.7	5.4	3,940	Mar 22	1,220
1964-65	220.0	1.7	6.9	5,010	Apr 01	2,570
1965-66	897.0	1.1	11.4	8,290	Dec 29	2,980
1966-67	730.0	3.4	15.4	11,170	Nov 07	3,500
1967-68	499.0	4.5	12.7	9,250	Mar 08	2,640
1968-69	982.0	5.0	24.4	17,640	Jan 25	2,830
1969-70	198.0	3.4	9.8	7,080	Mar 04	1,500
1970-71	771.0	2.2	12.7	9,200	Nov 29	4,600
1971-72	291.0	3.9	10.3	7,490	Oct 24	1,650
1972-73	478.0	4.5	16.1	11,670	Jan 18	3,130
1973-74	800.0	4.5	14.8	10,740	Jan 07	1,860
1974-75	318.0	5.0	12.6	9,120	Dec 04	2,370
1975-76	221.0	4.5	13.0	9,410	Sep 05	3,030
1976-77	369.0	7.9	16.8	12,164	Oct 23	2,880
1977-78	1,260.0	3.9	47.9	34,682	Feb 10	12,300
1978-79	338.0	3.9	17.1	12,387	Mar 17	2,620
1979-80	1,490.0	5.0	31.5	22,500	Feb 16	7,560
1980-81	257.0	4.5	16.5	11,965	Jan 29	4,340
1981-82	425.0	2.2	17.3	12,518	Jan 19	3,010
1982-83	1,710.0	4.5	36.6	26,506	Mar 01	6,320

M Data Missing
 * Record incomplete
 E Estimate
 N.D. Not determined
 ** Record not Computed
 + Less than 0.05 Acre Feet or less than 0.05 CFS, but greater than 0

RUNOFF – STREAM GAGING STATION PEAK FLOW

BURBANK WESTERN STORM DRAIN @ Riverside Drive
STATION NO. E285-R

Season	Daily CFS			Total Runoff (Acre-feet)	Peak Inflow	
	Maximum	Minimum	Mean		Date	CFS
1983-84	231.0	2.8	9.8	7,083	Nov 01	2,190
1984-85	363.0	1.1	9.6	6,981	Dec 19	2,640
1985-86	372.0	2.8	14.0	10,104	Jan 31	3,070
1986-87	145.0	1.7	8.3	5,843	Nov 18	1,150
1987-88	363.0	7.9	19.4	14,058	Oct 22	6,620
1988-89	194.0	4.4	12.5	9,071	Dec 16	1,410
1989-90	253.0	4.1	10.0	7,258	Feb 04	1,410
1990-91	376.0	1.2	10.7	8,085		N.D.
1991-92	778.0	3.0	35.6	25,812	Feb 10	7,220
1992-93	564.0	6.0	33.9	24,570	Feb 07	8,080
1993-94	355.0	5.7	16.8	12,160	Nov 30	5,600
1994-95	743.0	2.4	39.6	28,687	Mar 10	6,880
1995-96	1,330.0	5.3	22.0	15,950	Feb 21	5,270
1996-97	293.0	6.5	14.2	10,310	Jan 20	2,400
1997-98	844.0	8.4	29.9	21,670	Nov 26	N.D.
1998-99	175.0	7.3	15.1	10,920	Nov 28	2,940
1999-00	279.0	6.2	16.3	11,840	Nov 23	3,920
2000-01	417.0	6.6	20.9	15,120	Jan 11	4,620
2001-02	175.1	4.6	12.8	9,255.1	Nov 24	3,771
2002-03	845.5	6.9	18.5	13,388.1	Mar 15	4,470
2003-04	396.0	1.6	1.3	9,337.5	Feb 26	2,640
2004-05	765.0	7.6	45.3	32,800.0	Feb 20	5,390

M	Data Missing
*	Record incomplete
E	Estimate
N.D.	Not determined
**	Record not Computed
+	Less than 0.05 Acre Feet or less than 0.05 CFS, but greater than 0

RUNOFF – STREAM GAGING STATION PEAK FLOW

COMPTON CREEK *near* Greenleaf Drive
STATION NO. F37B-R

Season	Daily CFS			Total Runoff (Acre-feet)	Peak Inflow	
	Maximum	Minimum	Mean		Date	CFS
1927-28	*	0.0	*	1230*	Mar 05	240*
1928-29	197.0	0.0	3.1	2,270	Mar 10	924
1929-30	144.0	0.0	3.5	2,520	Mar 14	580
1930-31	137.0	+	3.3	2,400	Apr 26	678
1931-32	248.0	0.0	4.4	3,220	Jan 31	757
1932-33	166.0	0.0	2.4	1,780	Jan 19	740
1933-34	372.0	0.0	3.5	2,560	Jan 01	960
1934-35	301.0	0.0	5.7	4,170	Apr 08	850
1935-36	143.0	0.0	4.0	2,920	Feb 12	824
1936-37	559.0	0.0	*	*	Feb 06	1,220
1937-38	986.0E	*	*	*	Mar 02	N.D.
1938-39	837.0	0.0	7.1	5,150	Sep 25	2,150
1939-40	256.0	10.0	7.4	5,340	Feb 03	1,630
1940-41	544.0	1.0	22.7	16,400	Dec 23	2,660
1941-42	236.0	3.0	10.1	7,280	Dec 10	1,730
1942-43	752.0	0.8	11.8	8,560	Jan 22	2,050
1943-44	739.0	2.3	15.6	11,290	Feb 20	2,370
1944-45	363.0	4.4	12.7	9,210	Nov 11	3,010
1945-46	362.0	2.6	11.0	7,960	Dec 23	2,010
1946-47	474.0	4.1	13.9	10,080	Nov 12	2,930
1947-48	170.0	0.6	7.9	5,740	Mar 24	1,410
1948-49	282.0	0.1	5.1	3,660	Dec 17	2,710
1949-50	433.0	+	6.6	4,820	Feb 06	2,830
1950-51	209.0	+	4.9	3,550	Jan 10	1,790
1951-52	661.0	0.1	14.7	10,650	Jan 18	3,220E
1952-53	220.0	0.1	5.6	4,020	Nov 15	2,380
1953-54	797.0	0.1	7.5	5,410	Feb 13	3,600
1954-55	374.0	0.1	8.4	6,080	Jan 18	2,710
1955-56	2,090.0	0.2	12.7	9,240	Jan 26	4,910
1956-57	286.0	+	5.6	4,070	May 11	1,780
1957-58	1,100.0	+	16.0	11,610	Feb 19	4,640
1958-59	449.0	0.0	4.6	3,330	Jan 06	4,320

M	Data Missing
*	Record incomplete
E	Estimate
N.D.	Not determined
**	Record not Computed
+	Less than 0.05 Acre Feet or less than 0.05 CFS, but greater than 0

RUNOFF – STREAM GAGING STATION PEAK FLOW

COMPTON CREEK *near* Greenleaf Drive
 STATION NO. F37B-R

Season	Daily CFS			Total Runoff (Acre-feet)	Peak Inflow	
	Maximum	Minimum	Mean		Date	CFS
1959-60	463.0	0.0	6.3	4,590	Jan 11	3,220
1960-61	204.0	+	2.7	1,960	Nov 05	1,640
1961-62	1,060.0	0.1	14.5	10,520	Feb 19	4,550
1962-63	576.0	+	8.8	6,400	Feb 10	3,310
1963-64	212.0	+	4.7	3,440	Nov 06	2,430
1964-65	424.0	0.0	7.4	5,390	Apr 09	2,630
1965-66	809.0	+	10.8	7,800	Dec 29	3,250
1966-67	765.0	+	11.8	8,560	Nov 07	4,650
1967-68	1,120.0	+	9.4	6,850	Mar 07	3,690
1968-69	1,040.0	0.0	16.6	12,010	Jan 20	5,890
1969-70	275.0	0.2	4.4	3,150	Jan 16	1,960
1970-71	609.0	0.4	11.7	8,500	Nov 29	2,930
1971-72	622.0	0.4	6.8	4,940	Dec 27	6,000
1972-73	473.0	0.2	12.2	8,830	Nov 14	4,300
1973-74	810.0	0.3	10.0	7,210	Jan 04	3,140
1974-75	677.0	0.2	9.1	6,550	Dec 04	8,690
1975-76	285.0	0.1	4.6	3,270	Feb 09	2,470
1976-77	542.0	0.0	7.2	5,220	Aug 17	1,970
1977-78	688.0	0.0	20.0	14,471	Mar 01	3,620
1978-79	559.0	+	12.3	8,888	Mar 27	2,410
1979-80	*	*	*	*	Feb 16	4,780
1980-81	440.0	0.1	6.4	4,658	Mar 01	2,970
1981-82	237.0	0.3	6.3E	4,647E	Jan 01	2,720
1982-83	1,010.0	0.4	21.9	16,720	Jan 28	6,020
1983-84	277.0	0.3	5.4	3,893	Nov 24	2,380
1984-85	458.0	0.1	7.4	5,354	Dec 19	4,110
1985-86	*	*	*	*		*
1986-87	187.0	0.4	4.0	2,935	Nov 17	1,670
1987-88	443.0	0.3	8.0	5,826	Dec 04	2,980
1988-89	258.0	0.6	5.9	4,254	Dec 21	1,990
1989-90	755.0	0.2	5.4	3,887	Feb 17	2,500
1990-91	527.0	0.5	9.1	6,586	Mar 19	3,940
1991-92	510.0	0.1	15.5	11,228	Mar 20	4,640

M Data Missing
 * Record incomplete
 E Estimate
 N.D. Not determined
 ** Record not Computed
 + Less than 0.05 Acre Feet or less than 0.05 CFS, but greater than 0

RUNOFF – STREAM GAGING STATION PEAK FLOW

COMPTON CREEK *near* Greenleaf Drive
STATION NO. F37B-R

Season	Daily CFS			Total Runoff (Acre-feet)	Peak Inflow	
	Maximum	Minimum	Mean		Date	CFS
1992-93	717.0	0.1	21.8	15,760	Jan 06	5,240
1993-94	290.0	0.2	6.0	4,315	Nov 30	2,680
1994-95	1,120.0	0.0	15.8	11,440	Jan 04	7,660
1995-96	627.0	0.5	8.0	5,792	Jan 31	3,410
1996-97	402.0	0.7	10.1	7,300	Dec 09	2,510
1997-98	826.0	0.7	26.9	19,500	Feb 06	7,040
1998-99	384.0	0.2	9.0	6,540	Nov 08	2,420
1999-00	611.0	0.0	7.6	5,480	Mar 05	6,150
2000-01	525.0	0.0	10.6	7,710	Jan 11	3,250
2001-02	402.8	0.0	7.1	15,512.2	Nov 24	2,519
2002-03	997.2	0.0	12.3	8,881	Mar 15	4,750
2003-04	875.8	0.0	9.4	6,795.9	Nov 12	8,030
2004-05	1,320.0	0.0	26.1	18,900.0	Dec 28	5,530

M	Data Missing
*	Record incomplete
E	Estimate
N.D.	Not determined
**	Record not Computed
+	Less than 0.05 Acre Feet or less than 0.05 CFS, but greater than 0

RUNOFF – STREAM GAGING STATION PEAK FLOW

**COYOTE CREEK *below* Spring Street
STATION NO. F354-R**

Season	Daily CFS			Total Runoff (Acre-feet)	Peak Inflow	
	Maximum	Minimum	Mean		Date	CFS
1963-64	1,190.0	+	10.9	7,950	Nov 15	N.D.
1964-65	800.0	0.3	16.9	12,220	Apr 09	3,350
1965-66	1,830.0	1.2	32.5	23,500	Dec 29	5,020
1966-67	1,840.0	1.4	37.9	27,450	Jan 22	6,880
1967-68	2,350.0	1.6	26.8	19,570	Mar 08	6,970
1968-69	4,420.0	3.1	88.8	64,290	Jan 20	11,300
1969-70	1,000.0	2.5	23.0	16,680	Feb 10	4,600
1970-71	2,320.0	1.4	32.9	23,820	Dec 19	6,200
1971-72	1,770.0	*	*	*	Dec 27	6,620
1972-73	2,350.0	3.3	60.4	43,720	Nov 14	7,810
1973-74	2,410.0	2.3	38.3	27,700	Jan 07	8,670
1974-75	3,130.0	2.3	36.9	26,700	Dec 04	14,400
1975-76	1,500.0	2.3	24.5	17,540	Feb 06	5,430
1976-77	4,250.0	1.7	37.5	27,000	May 08	13,400
1977-78	4,400.0	1.5	128.4	92,940	Mar 01	13,700
1978-79	*	*	*	*		*
1979-80	4,380.0	4.0	128.4	91,800	Feb 14	19,400
1980-81	2,030.0	4.9	33.7	24,395	Mar 01	7,980
1981-82	4,020.0	4.6	56.2	40,818	Nov 28	12,200
1982-83	5,100.0	3.4	123.0	89,013	Mar 01	19,700
1983-84	2,670.0	5.2	1.5	32,043	Oct 01	9,620
1984-85	*	*	*	*		*
1985-86	*	*	*	*	Feb 14	*
1986-87	2,980.0	4.9	34.1	24,670	Jan 04	11,100
1987-88	2,940.0	3.1	46.8	33,943	Dec 04	7,630
1988-89	1,360.0	3.0	45.0	32,582		N.D.
1989-90	648.0	2.3	18.5	13,410	Jan 16	2,980
1990-91	2,250.0	3.4	49.7	35,630	Mar 01	6,250
1991-92	3,120.0	0.0	61.3	44,518	Feb 12	21,000
1992-93	5,030.0	3.8	147.0	106,400	Dec 07	13,600
1993-94	M	M	M	M		M
1994-95	*	*	*	*	Mar 11	11,500
1995-96	2,990.0	2.8	41.9	30,380	Feb 20	15,500

M Data Missing
 * Record incomplete
 E Estimate
 N.D. Not determined
 ** Record not Computed
 + Less than 0.05 Acre Feet or less than 0.05 CFS, but greater than 0

RUNOFF – STREAM GAGING STATION PEAK FLOW

COYOTE CREEK *below* Spring Street
 STATION NO. F354-R

Season	Daily CFS			Total Runoff (Acre-feet)	Peak Inflow	
	Maximum	Minimum	Mean		Date	CFS
1996-97	2,120.0	3.5	72.0	52,160	Dec 09	10,100
1997-98	3,370.0	1.5	135.0	97,460	Feb 07	13,800
1998-99	748.0	3.0	35.7	25,830	Nov 08	4,570
1999-00	1,180.0	3.9	33.7	24,430	Feb 23	5,100
2000-01	3,030.0E	3.6E	71.2E	51,510E	Jan 11	15,300
2001-02	920.9	2.0	33.0	17,758.0	Dec 21	2,371
2002-03	3,906.5	2.9	116.0	84,196.7	Dec 16	16,200
2003-04	3,337.1	6.3	70.0	50,590.0	Feb 26	11,600
2004-05	8,730.0	8.7	415.0	30,000.0	Jan 09	20,800

M	Data Missing
*	Record incomplete
E	Estimate
N.D.	Not determined
**	Record not Computed
+	Less than 0.05 Acre Feet or less than 0.05 CFS, but greater than 0

RUNOFF – STREAM GAGING STATION PEAK FLOW

DALTON WASH @ Merced Avenue
STATION NO. F274B-R

Season	Daily CFS			Total Runoff (Acre-feet)	Peak Inflow	
	Maximum	Minimum	Mean		Date	CFS
1940-41	206.0	0.0	5.3	3,844	Mar 13	674
1941-42	42.0	0.0	1.0	727.0	Dec 10	230
1942-43	336.0	0.0	4.8	3,500	Jan 22	1,230
1943-44	1,620.0	0.0	2.2	1,620	Feb 22	2,650
1944-45	144.0	0.0	1.2	894.0	Nov 11	1,740
1945-46	229.0	0.0	2.2	1,610	Dec 23	1,450
1946-47	52.0	0.0	1.4	984.0	Nov 23	328
1947-48	20.0	0.0	0.1	96.0	Dec 05	149
1948-49	19.0	0.0	0.1	97.0	Dec 17	181
1949-50	38.0	0.0	0.4	306.0	Dec 18	232
1950-51	11.0	0.0	0.1	64.0	Jan 11	175
1951-52	270.0	0.0	2.9	2,090	Jan 16	1,070
1952-53	39.0	0.0	0.4	287.0	Nov 15	549
1953-54	217.0	0.0	1.5	1,060	Feb 13	1,290
1954-55	88.0	0.0	1.0	706.0	Jan 18	668
1955-56	860.0	0.0	3.1	2,260	Jan 26	2,350
1956-57	165.0	0.0	1.4	980.0	Mar 01	1,990
1957-58	303.0	0.0	6.5	4,690	Mar 16	1,310
1958-59	208.0	0.0	3.0	2,130	Jan 06	2,700
1959-60	2,260.0	0.1	3.1	2,260	Jan 10	1,000
1960-61	150.0	0.2	3.1	2,220	Jan 26	1,468
1961-62	511.0	0.1	9.9	7,200	Nov 20	4,270
1962-63	403.0	0.2	5.7	4,110	Mar 16	2,020
1963-64	169.0	0.1	3.8	2,750	Jan 21	1,530
1964-65	290.0	0.1	4.4	3,170	Apr 09	2,800
1965-66	571.0	0.2	8.8	6,310	Nov 22	1,320
1966-67	693.0	0.3	14.0	10,140	Sep 01	3,970
1967-68	414.0	0.3	5.9	4,310	Mar 08	3,254
1968-69	3,120.0	0.3	47.0	34,300	Jan 25	6,550
1969-70	447.0	1.2	68.0	49,270	Feb 01	4,775
1970-71	404.0	0.8	88.0	63,700	Dec 21	2,320
1971-72	599.0	0.8	54.0	39,430	Dec 24	3,570
1972-73	629.0	0.8	121.0	87,820	Feb 02	4,240

M Data Missing
 * Record incomplete
 E Estimate
 N.D. Not determined
 ** Record not Computed
 + Less than 0.05 Acre Feet or less than 0.05 CFS, but greater than 0

RUNOFF – STREAM GAGING STATION PEAK FLOW

DALTON WASH @ Merced Avenue
STATION NO. F274B-R

Season	Daily CFS			Total Runoff (Acre-feet)	Peak Inflow	
	Maximum	Minimum	Mean		Date	CFS
1973-74	839.0	0.8	112.0	81,260	Jan 04	2,140
1974-75	550.0	0.8	66.8	48,320	Dec 04	5,060
1975-76	282.0	0.8	74.1	53,640	Sep 10	2,190
1976-77	210.0	1.0	14.2	10,280	Jan 03	3,240
1977-78	*	*	*	*	Mar 05	*
1978-79	582.0	0.1	101.6	73,533	Mar 27	5,610
1979-80	2,790.0	+	83.4	59,890	Feb 16	10,000
1980-81	379.0	1.0	21.9	15,861	Mar 01	1,830
1981-82	568.0	0.6	53.4	38,651	Mar 14	3,750
1982-83	1,690.0	0.0	52.2	37,757	Feb 27	6,130
1983-84	347.0	0.0	40.2	28,405	Dec 25	3,360
1984-85	322.0	0.1	57.6	41,683	Nov 08	3,500
1985-86	496.0	0.1	39.1	28,298	Mar 08	5,550
1986-87	347.0	0.0	65.7	46,865	Oct 02	2,980
1987-88	421.0	0.1	47.9	34,807	Dec 04	4,984
1988-89	286.0	1.3	60.0	43,310	Dec 21	3,408
1989-90	151.0	8.0	56.0	39,890	Apr 17	5,390
1990-91	593.0	0.0	18.1	13,700	Mar 01	3,288
1991-92	529.0	0.1	10.0	7,252	Feb 12	5,270
1992-93	790.0	0.0	37.8	27,370	Jan 14	6,120
1993-94	169.0	0.1	6.2	4,470	Apr 26	3,390
1994-95	1,070.0	0.1	19.6	14,160	Jan 10	4,790
1995-96	925.0	0.2	13.7	9,920	Feb 18	6,760
1996-97	370.0	0.1	30.2	21,890	Dec 09	3,130
1997-98	1,070.0	0.1	22.4	16,220	Feb 07	6,630
1998-99	127.0	0.1	7.2	5,240	Nov 28	2,820
1999-00	291.0	0.1	28.3	20,520	Feb 12	3,040
2000-01	408.0	0.1	22.1	16,030	Jan 11	2,280
2001-02	281.7	0.0	29.6	21,371.1	Dec 20	2,556
2002-03	941.3	0.2	33.7	24,369.9	Dec 16	4,040
2003-04	551.9	0.1	29.0	21,158.4	Apr 01	3,410
2004-05	3,430.0	0.1	76.9	55,700.0	Oct 20	10,700

M	Data Missing
*	Record incomplete
E	Estimate
N.D.	Not determined
**	Record not Computed
+	Less than 0.05 Acre Feet or less than 0.05 CFS, but greater than 0

RUNOFF – STREAM GAGING STATION PEAK FLOW

**EATON WASH *below* Eaton Wash Dam
STATION NO. F271-R**

Season	Daily CFS			Total Runoff (Acre-feet)	Peak Inflow	
	Maximum	Minimum	Mean		Date	CFS
1940-41	211.0	0.0	9.4	6,090.6	Feb 20	256
1941-42	N.D.					
1942-43	663.0	0.0	11.2	6,398.9	Jan 23	1,080
1943-44	161.0	0.0	5.5	1,967.0	Mar 14	268
1944-45	17.1	0.0	0.1	100.8	Feb 02	26
1945-46	43.0	0.0	0.4	265.2	Dec 22	121
1946-47	63.0	0.0	0.7	507.4	Dec 26	86
1947-48	1.7	0.0	0.0	5.6	Dec 04	9
1948-49	0.3	0.0	0.0	1.2	Dec 17	0
1949-50	13.8	0.0	0.1	70.4		
1950-51	2.3	0.0	0.0	7.5		
1951-52	166.0	0.0	2.5	1,827.2		
1952-53	N.D.					
1953-54	40.0	0.0	0.3	199.1		
1954-55	N.D.					
1955-56	41.0	0.0	0.2	149.6		
1956-57	2.1	0.0	0.0	12.7		
1957-58	136.0	0.0	2.9	2,035.4	Feb 04	146
1958-59	29.0	0.0	0.2	158.3	Feb 16	164
1959-60	N.D.					
1960-61	N.D.					
1961-62	204.0	0.0	1.9	1,299.4		
1962-63	8.6	0.0	0.0	17.1		
1963-64	8.2	0.0	0.0	35.7		
1964-65	35.0	0.0	0.5	328.8		
1965-66	173.0	0.0	5.1	3,650.8		
1966-67	169.0	0.0	2.6	1,907.7		
1967-68	N.D.					
1968-69	N.D.					
1969-70	N.D.					
1970-71	N.D.					
1971-72	N.D.					
1972-73	N.D.					

M Data Missing
 * Record incomplete
 E Estimate
 N.D. Not determined
 ** Record not Computed
 + Less than 0.05 Acre Feet or less than 0.05 CFS, but greater than 0

RUNOFF – STREAM GAGING STATION PEAK FLOW

EATON WASH *below* Eaton Wash Dam
STATION NO. F271-R

Season	Daily CFS			Total Runoff (Acre-feet)	Peak Inflow	
	Maximum	Minimum	Mean		Date	CFS
1973-74	N.D.					
1974-75	27.0	0.0	0.6	405.4	Mar 15	28
1975-76	27.1	0.0	0.6	424.9	Mar 16	80
1976-77	21.8	0.0	0.4	315.4		22
1977-78	206.0	0.0	5.3	3,456.2	Mar 04	867
1978-79	33.9	0.0	3.4	2,446.0	Nov 21	226
1979-80M	N.D.					
1980-81	13.0	0.0	0.9	671.0		
1981-82	29.1	0.0	2.1	1,523.7	Apr 05	112
1982-83	804.0	0.0	26.1	18,918.1	Mar 02	1,210
1983-84	44.8	0.0	2.7	1,927.3	Oct 20	43
1984-85	26.6	0.0	1.0	698.2	Jan 05	18
1985-86	42.0	0.0	2.6	1,932.9		
1986-87	NO RECORD					
1987-88	20.9	0.0	0.9	650.6	Apr 25	29
1988-89	26.8	0.0	0.3	344.7		
1989-90	10.0	0.0	1.3	85.3		
1990-91	60.1	0.0	2.1	1,567.9	Mar 22	57
1991-92	274.0	0.0	8.4	6,131.9	Feb 11	642
1992-93	441.0	0.0	20.0	14,503.1	Jan 07	822
1993-94*	15.7	0.0	1.1	691.6		N.D.
1994-95	176.0	0.0	10.3	7,469.2	Jan 10	429
1995-96*	201.0	0.0	2.9	2,094.6	Feb 21	298
1996-97	30.0	0.0	1.7	1,262.9	Jan 27	83
1997-98	252.0	0.0	8.8	6,363.7		N.D.
1998-99	8.8	0.0	0.2	142.1	Jun 02	43
1999-00*	67.0	0.0	1.0	710.8	Feb 24	180
2000-01	32.0	0.0	1.1	795.0	Apr 16	206
2001-02	7.8	0.0	0.2	116.6	Dec 12	32
2002-03	16.9	0.0	0.7	518.0	Mar 03	97
2003-04	17.3	0.0	0.4	300.1	Aug 02	38
2004-05	156.0	0.0	15.4	11,200.0	Oct 21	310

M Data Missing
* Record incomplete
E Estimate
N.D. Not determined
** Record not Computed
+ Less than 0.05 Acre Feet or less than 0.05 CFS, but greater than 0

RUNOFF – STREAM GAGING STATION PEAK FLOW

EATON WASH @ Loftus Drive
STATION NO. F318-R

Season	Daily CFS			Total Runoff (Acre-feet)	Peak Inflow	
	Maximum	Minimum	Mean		Date	CFS
1956-57	201.0	0.0	0.0	2,400	Feb 23	1,760
1957-58	368.0	0.1	0.1	7,460	Feb 19	2,700
1958-59	245.0	0.1	0.1	2,850	Jan 06	3,480
1959-60	186.0	+	+	2,420	Jan 12	1,090
1960-61	123.0	0.1	0.1	1,590	Nov 26	1,200
1961-62	598.0	0.1	0.1	6,880	Feb 11	1,950
1962-63	311.0	0.3	0.3	2,980	Feb 09	1,230
1963-64	227.0	0.1	0.1	3,050	Nov 20	2,360
1964-65	254.0	0.2	0.2	3,760	Apr 09	2,150
1965-66	605.0	0.3	0.3	8,990	Dec 29	2,290
1966-67	548.0	0.3	0.3	8,670	Jan 24	2,100
1967-68	318.0	0.3	0.3	4,040	Mar 08	2,390
1968-69	1,860.0	0.3	0.3	M		M
1969-70	M	M	M	M		M
1970-71	M	M	M	M		M
1971-72	M	M	M	M		M
1972-73	M	M	M	M		M
1973-74	592.0	0.3	0.3	4,870	Jan 07	1,530
1974-75	480.0	0.5	0.5	4,870	Dec 04	3,000
1975-76	275.0	0.4	0.4	3,980	Sep 11	2,660
1976-77	206.0	0.4	0.4	3,650	Oct 23	1,820
1977-78	914.0	0.4	0.4	21,425	Feb 10	5,810
1978-79	335.0	0.3	0.3	7,156	Feb 21	2,630
1979-80	1,460.0	0.1	0.1	27,991	Feb 16	5,240
1980-81	203.0	0.3	0.3	3,937	Mar 19	1,630
1981-82	377.0	0.4	0.4	5,453	Mar 17	3,060
1982-83	1,570.0	0.5	0.5	28,952		N.D.
1983-84	191.0	0.4	0.4	3,307	Dec 25	1,930
1984-85	199.0	0.4	0.4	4,258	Dec 19	2,460
1985-86	313.0	0.4	0.4	4,827	Jan 31	1,730
1986-87	178.0	0.1	0.1	1,782	Oct 02	1,400
1987-88	317.0	0.0	0.0	3,048	Jan 17	4,950
1988-89	172.0	0.1	0.1	2,134	Dec 15	1,150

M Data Missing
 * Record incomplete
 E Estimate
 N.D. Not determined
 ** Record not Computed
 + Less than 0.05 Acre Feet or less than 0.05 CFS, but greater than 0

RUNOFF – STREAM GAGING STATION PEAK FLOW

EATON WASH @ Loftus Drive
STATION NO. F318-R

Season	Daily CFS			Total Runoff (Acre-feet)	Peak Inflow	
	Maximum	Minimum	Mean		Date	CFS
1989-90	383.0	0.1	0.1	2,289	Apr 17	1,310
1990-91	331.0	0.0	0.0	3,948	Feb 28	1,850
1991-92	757.0	0.0	0.0	10,304	Feb 12	3,900
1992-93	664.0	0.0	0.0	21,580	Dec 07	5,090
1993-94	159.0	0.0	0.0	2,122	Mar 24	2,580
1994-95	954.0	0.0	0.0	14,500	Mar 11	5,330
1995-96	551.0	0.1	0.1	5,734	Jan 31	5,090
1996-97	236.0	0.1	0.1	4,630	Jan 12	1,010
1997-98	1,070.0	0.1	0.1	14,050	Feb 23	4,650
1998-99	136.0	0.2	0.2	1,990	Nov 28	1,430
1999-00	247.0	0.1	0.1	3,720	Feb 21	2,490
2000-01	352.0	0.2	0.2	4,680	Jan 11	1,760
2001-02	236.4	0.2	2.3	1,685.1	Nov 24	4,059
2002-03	557.8	0.1	7.4	5,352.6	Mar 15	3,030
2003-04	411.0	0.4	4.9	3,579.5	Feb 26	3,840
2004-05	1,420.0	0.0	38.2	27,600.0	Jan 10	5,450

M	Data Missing
*	Record incomplete
E	Estimate
N.D.	Not determined
**	Record not Computed
+	Less than 0.05 Acre Feet or less than 0.05 CFS, but greater than 0

RUNOFF – STREAM GAGING STATION PEAK FLOW

FISH CREEK *above* Mouth of Canyon
STATION NO. U7-R

Season	Daily CFS			Total Runoff (Acre-feet)	Peak Inflow	
	Maximum	Minimum	Mean		Date	CFS
1917-18	193.0	0.1	4.1	2,960	Mar 10	330
1918-19	10.0	0.0	0.9	648.0	Feb 11	21
1919-20	83.0	+	3.0	2,160	Mar 02	255
1920-21	120.0	0.0	2.3	1,670	Mar 13	286
1921-22	290.0	0.1	12.4	8,980	Feb 09	505
1922-23	64.0	0.1	2.1	1,510	Dec 12	186
1923-24	14.0	0.0	0.5	344.0	Mar 26	58
1924-25	132.0	0.0	1.7	1,230	Apr 04	N.D.
1925-26	410.0	0.1	7.2	5,170	Apr 07	N.D.
1926-27	482.0	0.4	7.0	5,070	Feb 16	945
1927-28	30.0	N.D.	1.2	860.0	Feb 04	97
1928-29	41.0	0.0	1.4	1,040	Mar 10	71
1929-30	42.0	0.0	1.5	1,070	Jan 15	72
1930-31	26.0	N.D.	1.2	888.0	Apr 26	70
1931-32	213.0	N.D.	4.9	3,560	Dec 28	415
1932-33	167.0	N.D.	1.8	1,340	Jan 19	299
1933-34	360.0	N.D.	3.4	2,440	Jan 01	640
1934-35	150.0	N.D.	4.2	3,080	Apr 08	420
1935-36	80.0	0.3	4.5	3,280	Feb 02	676
1936-37	142.0	0.4	9.3	6,770	Dec 30	252
1937-38	752.0	1.0	13.2	9,520	Mar 02	2,100
1938-39	50.0	0.2	2.4	1,750	Dec 19	172
1939-40	43.0	0.1	2.2	1,570	Jan 08	225
1940-41	255.0	0.1	12.9	9,340	Mar 04	443
1941-42	23.0	0.1	1.4	1,030	Dec 10	44
1942-43	874.0	0.1	14.8	10,720	Jan 23	2,100
1943-44	325.0	0.5	5.8	4,200	Feb 22	680
1944-45	106.0	0.2	3.6	2,580	Nov 11	400
1945-46	156.0	0.1	3.2	2,310	Dec 23	540
1946-47	140.0	0.1	4.0	2,910	Dec 26	400
1947-48	8.8	N.D.	0.7	536.0	Apr 28	28
1948-49	18.0	N.D.	0.8	610.0	Jan 20	35
1949-50	37.0	0.0	1.2	888.0	Dec 18	157

M Data Missing
 * Record incomplete
 E Estimate
 N.D. Not determined
 ** Record not Computed
 + Less than 0.05 Acre Feet or less than 0.05 CFS, but greater than 0

RUNOFF – STREAM GAGING STATION PEAK FLOW

FISH CREEK *above* Mouth of Canyon
STATION NO. U7-R

Season	Daily CFS			Total Runoff (Acre-feet)	Peak Inflow	
	Maximum	Minimum	Mean		Date	CFS
1950-51	5.6	0.0	0.3	237.0	Apr 28	16
1951-52	348.0	0.0	8.3	6,060	Jan 16	1,360
1952-53	18.0	0.0	1.1	813.0	Dec 01	252
1953-54	110.0	0.0	2.1	1,510	Jan 25	376
1954-55	15.0	0.0	0.8	567.0	Jan 18	39
1955-56	155.0	0.0	1.5	1,100	Jan 26	544
1956-57	33.0	0.0	0.9	674.0	Jan 13	108
1957-58	212.0	0.0	7.8	5,680	Apr 03	608
1958-59	200.0	0.1	2.2	1,590	Dec 06	2,000E
1959-60	16.0	0.0	1.1	794.0	Apr 27	84
1960-61	23.0	0.0	0.6	443.0	Nov 12	230
1961-62	472.0	0.0	6.2	4,480	Feb 11	770
1962-63	71.0	0.0	1.3	922.0	Feb 09	346
1963-64	48.0	0.0	0.9	1,107	Jan 21	178
1964-65	48.0	0.0	1.3	930.0	Apr 09	163
1965-66	523.0	0.0	8.6	6,200	Dec 29	1,670
1966-67	688.0	0.6	13.5	9,740	Dec 06	2,250
1967-68	44.0	0.4	2.3	1,640	Nov 19	282
1968-69	5,540.0	0.7	55.2	39,980	Jan 25	13,000
1969-70	99.0	0.8	4.2	3,010	Feb 28	898
1970-71	93.0	0.6	3.3	2,400	Nov 29	259
1971-72	23.0	0.1	1.0	742.0	Dec 24	62
1972-73	480.0	0.2	7.4	5,390	Feb 11	1,600
1973-74	234.0	0.4	4.4	3,210	Jan 07	376
1974-75	30.0	0.2	2.5	1,803	Dec 04	56
1975-76	41.0	0.1	1.5	1,050	Mar 01	143
1976-77	45.0	0.0	1.0	760.0		N.D.
1977-78	386.0	0.1	15.5	11,242	Feb 10	1,340
1978-79	35.1	0.2	4.4	3,164	Dec 05	78
1979-80	448.0	0.4	0.5	10,806	Feb 16	1,590
1980-81	43.5	0.2	1.7	1,264	Jan 29	190
1981-82	12.6	0.1	2.0	1,424	Jan 20	26
1982-83	575.0	0.4	18.7	13,552	Mar 01	1,230

M Data Missing
 * Record incomplete
 E Estimate
 N.D. Not determined
 ** Record not Computed
 + Less than 0.05 Acre Feet or less than 0.05 CFS, but greater than 0

RUNOFF – STREAM GAGING STATION PEAK FLOW

FISH CREEK *above* Mouth of Canyon
STATION NO. U7-R

Season	Daily CFS			Total Runoff (Acre-feet)	Peak Inflow	
	Maximum	Minimum	Mean		Date	CFS
1983-84	35.1	0.0	2.0	1,487	Dec 25	108
1984-85	29.4	0.1	17.6	1,100		N.D.
1985-86	*	*	*	*		*
1986-87	14.2	0.0	1.6	1,156		N.D.
1987-88	48.9	0.0	1.5	1,082	Jan 17	115
1988-89	80.7	0.0	21.1	1,219	Feb 04	226
1989-90	35.4	0.0	0.6	466.0	Feb 16	176
1990-91	87.4	0.0	2.5	1,837	Mar 01	429
1991-92	318.0	0.0	10.3	7,481	Feb 12	1,030
1992-93	422.0	0.3	20.2	14,640	Feb 19	2,370
1993-94	13.3	0.0	1.2	843.0	Feb 20	31
1994-95	248.0	0.2	10.5	7,620	Mar 05	768
1995-96	295.0	0.1	5.2	3,797	Feb 21	540
1996-97	125.0	0.2	4.9	3,520	Dec 22	339
1997-98	500.0	0.1	10.9	7,860	Mar 03	35
1998-99	1.9	0.2	1.3	935.0	Mar 30	2
1999-00	17.0	0.6	1.7	1,220E		N.D.
2000-01	25.0	0.0	1.2	881.0	Apr 16	98
2001-02	13.0	0.0	0.6	418.7	Jan 27	43
2002-03	102.3	0.0	1.8	1,319.3	Mar 16	291
2003-04	92.1	0.0	1.5	1,034.4	Feb 26	548
2004-05	1,240.0	0.0	26.5	19,200.0	Jan 09	1,750

M	Data Missing
*	Record incomplete
E	Estimate
N.D.	Not determined
**	Record not Computed
+	Less than 0.05 Acre Feet or less than 0.05 CFS, but greater than 0

RUNOFF – STREAM GAGING STATION PEAK FLOW

**LEAKAGE @ Toe of Cogswell Dam
STATION NO. F251-R**

Season	Daily CFS			Total Runoff (Acre-feet)	Peak Inflow	
	Maximum	Minimum	Mean		Date	CFS
1934-35	20.0	0.0	4.0	2,890.3	May 01	20
1935-36	41.0	0.1	9.3	6,728.3	Feb 17	41
1936-37	N.D.					
1937-38	N.D.					
1938-39	N.D.					
1939-40	N.D.					
1940-41	N.D.					
1941-42	N.D.					
1942-43	N.D.					
1943-44	N.D.					
1944-45	N.D.					
1945-46	N.D.					
1946-47	N.D.					
1947-48	N.D.					
1948-49	N.D.					
1949-50	N.D.					
1950-51	N.D.					
1951-52	N.D.					
1952-53	N.D.					
1953-54	N.D.					
1954-55	N.D.					
1955-56	N.D.					
1956-57	N.D.					
1957-58	N.D.					
1958-59	N.D.					
1959-60	N.D.					
1960-61	N.D.					
1961-62	N.D.					
1962-63	N.D.					
1963-64	N.D.					
1964-65	N.D.					
1965-66	N.D.					
1966-67	N.D.					

M Data Missing
 * Record incomplete
 E Estimate
 N.D. Not determined
 ** Record not Computed
 + Less than 0.05 Acre Feet or less than 0.05 CFS, but greater than 0

RUNOFF – STREAM GAGING STATION PEAK FLOW

LEAKAGE @ Toe of Cogswell Dam
STATION NO. F251-R

Season	Daily CFS			Total Runoff (Acre-feet)	Peak Inflow	
	Maximum	Minimum	Mean		Date	CFS
1967-68	N.D.					
1968-69	N.D.					
1969-70	N.D.					
1970-71	N.D.					
1971-72	N.D.					
1972-73	N.D.					
1973-74	N.D.					
1974-75	5.3	1.8	3.6	2,614.0		5
1975-76	3.9	1.8	3.2	2,326.4	Feb 09	4
1976-77	4.5	1.8	3.1	2,228.2		
1977-78	16.8	2.2	0.2	4,130.8	Feb 10	57
1978-79	6.8	2.5	0.1	2,800.7	Mar 27	7
1979-80	N.D.					
1980-81	5.6	0.0	1.9	1,363.8	Oct 01	6
1981-82	10.4	0.0	5.1	3,682.7		10
1982-83	13.9	4.2	0.3	5,635.0	Mar 02	14
1983-84	8.1	1.5	0.2	3,383.0	Oct 01	8
1984-85	5.2	1.0	3.4	2,432.7	Dec 28	5
1985-86	5.4	2.9	4.0	2,877.2	Feb 15	6
1986-87	3.8	2.2	31.8	1,927.3	Oct 01	4
1987-88	4.4	1.8	35.5	2,142.0	May 23	4
1988-89	2.7	1.7	2.0	1,449.1	Oct 01	3
1989-90	2.8	1.0	1.9	1,344.2	May 19	3
1990-91	4.7	0.0	0.7	510.1	Mar 01	5
1991-92	5.0	0.0	0.8	569.7	Apr 08	5
1992-93	22.1	0.2	11.0	7,996.2	Jan 18	23
1993-94	11.3	0.2	3.1	2,243.3	Oct 01	11
1994-95	4.0	0.0	0.7	502.2	Aug 15	11
1995-96	2.2	0.0	0.1	66.1	Feb 21	6
1996-97	13.0	0.0	5.5	4,006.4	Apr 21	13
1997-98	31.0	2.4	16.1	11,654.7	Feb 23	39
1998-99	22.0	1.3	9.5	6,897.1	Oct 01	22
1999-00	12.0	0.0	4.3	3,102.2	Apr 18	12

M Data Missing
* Record incomplete
E Estimate
N.D. Not determined
** Record not Computed
+ Less than 0.05 Acre Feet or less than 0.05 CFS, but greater than 0

RUNOFF – STREAM GAGING STATION PEAK FLOW

LEAKAGE @ Toe of Cogswell Dam
 STATION NO. F251-R

Season	Daily CFS			Total Runoff (Acre-feet)	Peak Inflow	
	Maximum	Minimum	Mean		Date	CFS
2000-01	14.0	1.8	7.6	5,520.0	Apr 07	14
2001-02	8.4	0.0	2.9	2,070.0	Nov 25	8
2002-03	13.6	0.3	5.8	4,189.5	Mar 24	14
2003-04	6.2	0.5	3.1	2,262.3	Mar 02	10
2004-05	34.0	1.0	18.6	13,500.0	Jan 10	35

M	Data Missing
*	Record incomplete
E	Estimate
N.D.	Not determined
**	Record not Computed
+	Less than 0.05 Acre Feet or less than 0.05 CFS, but greater than 0

RUNOFF – STREAM GAGING STATION PEAK FLOW

**LITTLE ROCK CREEK *above* Little Rock Dam
STATION NO. L1-R**

Season	Daily CFS			Total Runoff (Acre-feet)	Peak Inflow	
	Maximum	Minimum	Mean		Date	CFS
1930-31	195.0	0.0	5.0	3,610	Apr 26	430
1931-32	830.0	0.0	*	16,730*	Feb 08	2,200
1932-33	56.0	0.0	5.8	4,180	Mar 09	66
1933-34	455.0	0.0	5.2	3,770		N.D.
1934-35	716.0	0.0	24.4	17,640	Feb 05	925
1935-36	127.0	0.0	4.6	3,320	Feb 23	261
1936-37	679.0	0.0	30.3	21,950	Feb 06	1,550
1937-38	N.D.	0.0	N.D.	N.D.	Mar 02	17,000
1938-39	NO RECORDS					
1939-40	183.0	0.0	9.6	7,000	Jan 08	555
1940-41	1,730.0	0.0	71.3	51,620	Feb 20	2,240
1941-42	55.0	+	7.1	5,140	Apr 14	92
1942-43	2,730.0E	0.0	49.5	35,870	Jan 23	5,700
1943-44	736.0	0.8	49.6	35,940	Feb 22	902
1944-45	323.0	0.1	12.8	9,250	Nov 11	1,080
1945-46	604.0	0.0	16.7	12,150	Dec 21	1,100
1946-47	1,740.0	0.0	21.9	15,840	Dec 26	3,180
1947-48	62.0	0.0	3.4	2,450	Apr 29	122
1948-49	33.0	0.0	4.4	3,170	Apr 14	37
1949-50	114.0	0.0	3.4	2,470	Feb 06	212
1950-51	4.7	0.0	0.6	432.0	May 04	5
1951-52	311.0	0.0	31.6	22,890	Dec 30	502
1952-53	33.0	0.0	4.2	3,020	Jan 09	36
1953-54	328.0	0.0	11.6	8,430	Jan 25	655
1954-55	116.0	+	10.1	7,310	Nov 11	236
1955-56	424.0	0.0	7.5	5,470	Jan 26	1,050
1956-57	399.0	0.0	6.3	4,560	Jan 13	1,040
1957-58	521.0	0.0	40.7	29,500	Dec 15	1,070
1958-59	163.0	0.0	5.7	4,150	Feb 16	598
1959-60	15.0	0.0	2.4	1,750	Jan 26	17
1960-61	25.0	0.0	1.8	1,290	Nov 06	37
1961-62	2,060.0	0.0	25.8	18,640	Feb 11	3,180
1962-63	112.0	0.0	3.0	2,200	Feb 10	314

M Data Missing
 * Record incomplete
 E Estimate
 N.D. Not determined
 ** Record not Computed
 + Less than 0.05 Acre Feet or less than 0.05 CFS, but greater than 0

RUNOFF – STREAM GAGING STATION PEAK FLOW

LITTLE ROCK CREEK *above* Little Rock Dam STATION NO. L1-R

Season	Daily CFS			Total Runoff (Acre-feet)	Peak Inflow	
	Maximum	Minimum	Mean		Date	CFS
1963-64	38.0	0.0	3.8	2,800	Apr 01	49
1964-65	115.0	0.0	7.1	5,150	Apr 19	155
1965-66	1,700.0	0.0	33.9	24,500	Dec 29	5,240
1966-67	1,330.0	0.0	29.2	21,230	Dec 06	1,970
1967-68	264.0	+	11.6	8,390	Nov 21	444
1968-69	1,810.0	+	57.2	41,430	Jan 25	5,900
1969-70	175.0	0.0	9.5	6,850	Feb 10	287
1970-71	453.0	0.0	10.6	7,700	Nov 29	1,490
1971-72	382.0	0.0	6.0	4,320	Dec 24	801
1972-73	556.0	0.0	16.1	11,680	Feb 11	1,880
1973-74	70.0	0.0	10.4	7,540	Mar 02	87
1974-75	124.0	0.0	7.8	5,640	Mar 08	230
1975-76	270.0	0.0	7.6	5,530	Feb 08	643
1976-77	74.0	0.0	7.3	5,296	May 08	181
1977-78	*	*	*	*	Feb 10	*
1978-79	249.0	0.5	25.6	18,562	Mar 27	367
1979-80	1,705.0	0.0	45.8	32,580	Feb 19	3,998
1980-81	43.8	0.0	5.9	4,726	Mar 20	59
1981-82	575.0	0.0	18.3	13,243	Apr 11	1,132
1982-83	2,413.0	0.0	66.5	48,136	Mar 01	3,482
1983-84	244.0	0.0	7.1	5,124	Dec 25	539
1984-85	36.2	0.0	8.0	5,764	Dec 27	45
1985-86	515.0	0.0	17.3	12,510	Jan 30	1,162
1986-87	64.1	0.0	2.5	1,818	Mar 06	87
1987-88	205.0	0.0	25.1	18,286		N.D.
1988-89	47.0	0.0	6.3	4,701	Feb 09	61
1989-90	*	*	*	*	Jan 23	41
1990-91	369.0	0.0	8.6	8,094	Mar 01	839
1991-92	*	*	*	*		*
1992-93	*	*	*	*		*
1993-94	46.9	0.0	N.D.	*		N.D.
1994-95	795.0	0.0	44.9	32,480	Jan 10	2,000
1995-96	638.0	0.0	8.9	6,474	Feb 21	1,100

M Data Missing
* Record incomplete
E Estimate
N.D. Not determined
** Record not Computed
+ Less than 0.05 Acre Feet or less than 0.05 CFS, but greater than 0

RUNOFF – STREAM GAGING STATION PEAK FLOW

**LITTLE ROCK CREEK *above* Little Rock Dam
STATION NO. L1-R**

Season	Daily CFS			Total Runoff (Acre-feet)	Peak Inflow	
	Maximum	Minimum	Mean		Date	CFS
1996-97	207.0	0.0	7.3	5,260	Jan 26	264
1997-98	1,610.0	0.0	52.3	37,890	Feb 23	3,470
1998-99	23.0	0.0	3.8	2,720	Feb 10	27
1999-00	168.0	0.0	6.9	5,000	Feb 23	519
2000-01	154.0	0.0	14.9	10,760	Mar 06	219
2001-02	3.2	0.0	0.6	305.0	Jan 29	4
2002-03	0.0	0.0	13.1	0.0	Feb 12	3,720
2003-04	173.0	0.0	4.7	3,370.0	Feb 26	473
2004-05	2,440.0	0.0	85.1	61,480.0	Jan 09	5,040

M	Data Missing
*	Record incomplete
E	Estimate
N.D.	Not determined
**	Record not Computed
+	Less than 0.05 Acre Feet or less than 0.05 CFS, but greater than 0

RUNOFF – STREAM GAGING STATION PEAK FLOW

LIVE OAK CREEK *below* Live Oak Dam
 STATION NO. F356-R

Season	Daily CFS			Total Runoff (Acre-feet)	Peak Inflow	
	Maximum	Minimum	Mean		Date	CFS
1963-64	N.D.					
1964-65	2.8	0.0	0.0	13.9	Jun 24	78
1965-66	6.1	0.0	0.3	209.4	Mar 01	6
1966-67	44.0	0.0	0.9	670.6	Dec 06	194
1967-68	N.D.					
1968-69	N.D.					
1969-70	N.D.					
1970-71	N.D.					
1971-72	N.D.					
1972-73	N.D.					
1973-74	N.D.					
1974-75	5.1	0.0	0.1	77.8	Apr 08	5
1975-76	4.8	0.0	0.0	27.0	Apr 26	6
1976-77	2.3	0.0	0.0	30.9	Aug 17	4
1977-78	73.0	0.0	2.1	1,517.2	Mar 04	120
1978-79	4.4	0.0	0.9	655.5	Mar 30	5
1979-80	84.2	0.0	2.6	1,907.3	Feb 17	105
1980-81	2.8	0.0	0.3	218.6	Mar 03	4
1981-82	20.3	0.0	0.6	416.5	Mar 18	21
1982-83	45.0	0.0	0.0	1,779.6		
1983-84	2.3	0.0	0.6	449.7	Dec 05	3
1984-85	3.6	0.0	0.2	162.8		
1985-86	1.9	0.0	0.3	195.6	Mar 25	2
1986-87	1.0	0.0	0.0	37.5		
1987-88	6.4	0.0	0.0	69.2		
1988-89	5.3	0.0	0.1	93.6	Feb 14	8
1989-90	2.0	0.0	0.1	41.7	May 28	3
1990-91	4.3	0.0	0.3	200.3	Mar 04	5
1991-92	17.7	0.0	0.4	272.9	Feb 13	36
1992-93	48.2	0.0	2.4	1,705.8	Feb 22	80
1993-94	5.7	0.0	0.3	199.5	May 10	6
1994-95	29.8	0.0	1.5	1,058.4	Mar 06	103
1995-96	23.8	0.0	0.5	393.1	Feb 21	82

M Data Missing
 * Record incomplete
 E Estimate
 N.D. Not determined
 ** Record not Computed
 + Less than 0.05 Acre Feet or less than 0.05 CFS, but greater than 0

RUNOFF – STREAM GAGING STATION PEAK FLOW

LIVE OAK CREEK *below* Live Oak Dam
 STATION NO. F356-R

Season	Daily CFS			Total Runoff (Acre-feet)	Peak Inflow	
	Maximum	Minimum	Mean		Date	CFS
1996-97	6.6	0.0	0.5	349.1	Dec 17	25
1997-98	51*	0*	1.07*	773.87*	Feb 24	65
1998-99	9.0	0.0	0.1	104.1	Dec 08	30
1999-00	1.1*	0*	0.11*	77.85*	Jun 20	25
2000-01	20.0	0.0	0.2	120.0	Jul 10	61
2001-02	0.4	0.0	0.0	2.2	May 21	15
2002-03	5.1	0.0	0.7	48.9	Nov 19	19
2003-04	14.4	0.0	0.3	230.2	Mar 01	16
2004-05	156.0	0.0	4.0	2,920.0	Jan 09	210

M	Data Missing
*	Record incomplete
E	Estimate
N.D.	Not determined
**	Record not Computed
+	Less than 0.05 Acre Feet or less than 0.05 CFS, but greater than 0

RUNOFF – STREAM GAGING STATION PEAK FLOW

LOS ANGELES RIVER *above* Arroyo Seco
STATION NO. F57C-R

Season	Daily CFS			Total Runoff (Acre-feet)	Peak Inflow	
	Maximum	Minimum	Mean		Date	CFS
1930-31	927.0	0.0	5.5	3,950	Feb 04	4,540
1931-32	2,520.0	0.0	21.0	15,240	Feb 08	3,020
1932-33	2,330.0	0.0	14.7	10,640	Jan 19	5,780
1933-34	5,990.0	0.0	41.2	29,810	Jan 01	22,000
1934-35	568.0	0.1	17.3	12,550	Apr 08	2,400E
1935-36	322.0	0.4	7.9	5,770	Mar 30	2,540
1936-37	1,670.0	0.4	33.8	24,470	Feb 06	2,410E
1937-38	27,900.0	0.6	183.0	132,600	Mar 02	68,000E
1938-39	1,950.0	3.8	58.5	42,360	Jan 05	3,710
1939-40	2,070.0	6.0	54.5	39,590	Jan 08	8,900
1940-41	6,700.0	4.2	228.0	165,000	Feb 20	11,900
1941-42	1,170.0	22.0	75.7	54,800	Dec 10	5,260
1942-43	7,120.0	15.0	172.0	124,400	Jan 23	23,900
1943-44	8,020.0	25.0	151.0	109,800	Feb 22	14,600
1944-45	1,160.0	6.5	51.1	36,990	Feb 02	4,900
1945-46	1,880.0	3.4	49.6	35,880	Dec 22	5,240
1946-47	896.0	1.6	43.3	31,330	Dec 25	5,320
1947-48	498.0	3.6	20.5	14,890	Mar 24	4,900
1948-49	451.0	4.2	24.3	17,600	Dec 17	1,530
1949-50	804.0	0.3	14.9	10,760	Feb 06	2,840
1950-51	487.0	0.5	10.8	7,840	Jan 11	3,600
1951-52	8,130.0	0.5	149.0	108,000	Jan 16	25,300
1952-53	1,370.0	0.6	25.5	18,480	Dec 20	7,270
1953-54	2,570.0	0.2	29.0	21,000	Feb 13	9,580
1954-55	1,510.0	0.2	25.2	18,270	Jan 18	6,850
1955-56	7,290.0	0.6	49.4	35,890	Jan 26	15,300
1956-57	2,390.0	0.2	34.4	24,890	Feb 23	22,200
1957-58	4,650.0	0.4	126.0	91,020	Feb 19	19,700
1958-59	3,790.0	0.2	27.6	20,230	Jan 06	17,200
1959-60	1,420.0	+	23.3	16,910	Jan 12	8,960
1960-61	1,690.0	+	16.6	12,000	Nov 05	7,890
1961-62	8,510.0	+	120.0	86,910	Feb 12	32,500
1962-63	3,750.0	+	32.4	23,440	Feb 09	18,100

M Data Missing
 * Record incomplete
 E Estimate
 N.D. Not determined
 ** Record not Computed
 + Less than 0.05 Acre Feet or less than 0.05 CFS, but greater than 0

RUNOFF – STREAM GAGING STATION PEAK FLOW

LOS ANGELES RIVER *above* Arroyo Seco
STATION NO. F57C-R

Season	Daily CFS			Total Runoff (Acre-feet)	Peak Inflow	
	Maximum	Minimum	Mean		Date	CFS
1963-64	1,950.0	+	27.9	20,320	Jan 22	12,200
1964-65	2,880.0	+	49.1	35,580	Apr 09	12,500
1965-66	12,600.0	0.1	149.0	107,500	Dec 29	32,000
1966-67	7,720.0	0.4	115.0	82,210	Nov 07	32,100
1967-68	4,780.0	3.4	82.2	59,710	Mar 08	30,900
1968-69	23,400.0	4.0	425.0	307,400	Jan 25	41,800
1969-70	2,760.0	6.9	65.6	47,520	Mar 04	17,000
1970-71	12,900.0	7.4	129.0	93,310	Nov 29	41,500
1971-72	4,830.0	5.4	64.3	46,690	Dec 27	15,900
1972-73	9,190.0	6.7	157.0	114,000	Jan 18	28,230
1973-74	12,480.0	5.8	123.0	88,900	Jan 07	24,540
1974-75	5,750.0	4.2	88.6	64,120	Dec 04	27,570
1975-76	3,230.0	2.7	54.7	39,720	Feb 09	13,900
1976-77	4,710.0	1.6	91.2	66,020	Jan 03	23,300
1977-78	22,700.0	5.4	506.5	366,663	Feb 10	52,700
1978-79	6,240.0	18.8	192.0	139,101	Mar 27	25,800
1979-80	16,800.0	11.0	428.6	303,340	Feb 16	52,200
1980-81	3,340.0	14.9	104.9	75,932	Jan 29	28,200
1981-82	5,870.0	11.0	137.4	99,441	Mar 14	22,800
1982-83	25,100.0	22.2	560.4	405,695	Jan 27	44,500
1983-84	4,030.0	23.0	96.2	69,861	Dec 25	17,000
1984-85	3,380.0	30.0	98.3	71,160	Dec 19	9,270
1985-86	5,110.0	59.0	214.2	155,103	Jan 31	25,400
1986-87	2,090.0	70.2	101.5	73,480	Nov 17	13,000
1987-88	No Record					
1988-89	No Record					
1989-90	No Record					
1990-91	No Record					
1991-92	20,200.0	3.7	463.0	320,800	Feb 12	45,700
1992-93	*	*	*	*		*
1993-94	*	*	*	*		*
1994-95	19,900.0	114.0	*	*	Mar 10	44,900
1995-96	*	*	*	*		*

M Data Missing
 * Record incomplete
 E Estimate
 N.D. Not determined
 ** Record not Computed
 + Less than 0.05 Acre Feet or less than 0.05 CFS, but greater than 0

RUNOFF – STREAM GAGING STATION PEAK FLOW

LOS ANGELES RIVER *above* Arroyo Seco
STATION NO. F57C-R

Season	Daily CFS			Total Runoff (Acre-feet)	Peak Inflow	
	Maximum	Minimum	Mean		Date	CFS
1996-97	3,760.0	86.0	213.0	154,100	Dec 09	17,900
1997-98	13,900.0	88.0	479.0	346,700	Feb 23	37,800
1998-99	1,520.0	85.0	159.0	113,900	Jan 31	11,600
1999-00	4,370.0	82.0	196.0	142,200	Feb 23	25,200
2000-01	8,010.0	102.0	261.0	188,900	Jan 11	37,500
2001-02	2,542.6	65.1	166.7	120,658.6	Nov 24	20,272
2002-03	13,050.1	87.3	257.0	185,887.3	Feb 12	32,900
2003-04	6,564.3	90.2	187.0	135,870.6	Feb 26	28,100
2004-05	17,500.0	73.0	691.0	500,000.0	Feb 20	35,800

M Data Missing
 * Record incomplete
 E Estimate
 N.D. Not determined
 ** Record not Computed
 + Less than 0.05 Acre Feet or less than 0.05 CFS, but greater than 0

RUNOFF – STREAM GAGING STATION PEAK FLOW

LOS ANGELES RIVER *below* Wardlow River Road
STATION NO. F319-R

Season	Daily CFS			Total Runoff (Acre-feet)	Peak Inflow	
	Maximum	Minimum	Mean		Date	CFS
1928-29	N.D.	N.D.	N.D.	9,340E	Mar 10	2,870E
1929-30	1,270.0	0.9	17.0	12,310	Mar 15	1,670
1930-31	1,390.0	0.0	19.9	14,400	Feb 03	3,700
1931-32	7,130.0	0.8	70.2	50,960	Feb 09	8,380
1932-33	3,310.0	0.3	31.6	22,890	Jan 19	8,710
1933-34	19,900.0	0.0	93.7	67,860	Jan 01	37,500
1934-35	2,930.0	1.6	55.9	40,470	Apr 08	11,000
1935-36	1,630.0	2.3	28.3	20,470	Feb 12	10,400
1936-37	6,800.0	3.3	126.0	91,110	Feb 14	20,500
1937-38	50,000.0	1.0	564.0	408,000	Mar 02	99,000E
1938-39	6,220.0	3.5	114.0	82,750	Sep 25	17,300
1939-40	2,830.0E	15.0	90.8	65,930	Feb 02	8,440
1940-41	11,120.0	18.0	510.0	369,500	Mar 04	18,170
1941-42	3,180.0	31.0	129.0	93,390	Dec 10	10,800
1942-43	18,100.0	28.0	366.0	264,900	Jan 23	37,900
1943-44	17,190.0	38.0	299.0	217,400	Feb 22	34,000
1944-45	3,020.0	33.0	138.0	100,200	Nov 12	11,600
1945-46	6,440.0	30.0	127.0	91,790	Dec 22	12,800
1946-47	5,750.0	18.0	146.0	106,000	Dec 26	18,810
1947-48	1,540.0	19.0	72.8	52,820	Mar 24	9,310
1948-49	1,790.0	13.0	61.3	44,350	Dec 17	5,520
1949-50	2,360.0	6.3	58.3	42,180	Feb 06	9,090
1950-51	1,610.0	5.6	50.6	36,600	Jan 29	9,040
1951-52	16,310.0	3.8	292.0	212,200	Jan 16	47,800
1952-53	2,932.0	1.9	61.4	44,490	Nov 15	21,100
1953-54	8,120.0	2.5	97.8	70,790	Feb 13	34,760
1954-55	4,180.0	2.2	83.0	60,120	Jan 18	17,750
1955-56	12,700.0	7.0	133.0	96,810	Jan 26	40,500
1956-57	4,550.0	5.5	67.3	48,710	Feb 23	23,000
1957-58	10,400.0	6.4	264.0	191,200	Feb 19	43,800
1958-59	6,340.0	7.2	68.2	49,390	Jan 06	31,000
1959-60	3,420.0	3.7	67.6	49,100	Jan 12	21,700
1960-61	2,860.0	1.3	44.2	32,000	Jan 26	9,450

M Data Missing
 * Record incomplete
 E Estimate
 N.D. Not determined
 ** Record not Computed
 + Less than 0.05 Acre Feet or less than 0.05 CFS, but greater than 0

RUNOFF – STREAM GAGING STATION PEAK FLOW

LOS ANGELES RIVER *below* Wardlow River Road
 STATION NO. F319-R

Season	Daily CFS			Total Runoff (Acre-feet)	Peak Inflow	
	Maximum	Minimum	Mean		Date	CFS
1961-62	14,800.0	0.6	245.0	177,400	Feb 12	42,200
1962-63	5,480.0	1.2	75.6	54,700	Feb 09	31,400
1963-64	4,150.0	5.3	64.8	47,020	Jan 22	16,000
1964-65	5,150.0	4.1	106.0	76,680	Apr 09	30,100
1965-66	22,500.0	3.0	342.0	247,900	Dec 29	61,500
1966-67	12,400.0	9.9	237.0	171,900	Nov 07	43,700
1967-68	13,600.0	18.0	173.0	125,800	Mar 08	48,900
1968-69	55,000.0	16.0	1,150.0	832,000	Jan 25	102,000
1969-70	5,300.0	22.0	128.0	92,070	Feb 28	5,300
1970-71	20,600.0	20.0	201*	145,300*	Nov 29	65,100
1971-72	8,550.0	17.0	106.0	77,560	Dec 24	28,700
1972-73	16,170.0	20.0	253.0	183,300	Feb 11	50,800
1973-74	17,200.0	17.0	190.0	137,800	Jan 07	42,800
1974-75	11,200.0	13.0	159.0	115,000	Dec 04	64,470
1975-76	4,660.0	11.5	102.0	72,670	Feb 09	16,020
1976-77	7,130.0	5.3	140.4	101,700	Jan 03	29,528
1977-78	42,323.0	11.0	923.0	668,337	Feb 10	94,800
1978-79	13,000.0	33.0	379.2	274,500	Mar 27	50,900
1979-80	33,437.0	39.0	887.9	544,632	Feb 16	128,700
1980-81	6,550.0	27.0	173.2	125,893	Jan 29	33,800
1981-82	11,400.0	32.0	246.2	178,227	Apr 01	26,800
1982-83	52,000.0	38.0	1,047.0	758,465	Mar 01	81,800
1983-84	6,530.0	41.0	166.8	120,740	Dec 25	22,300
1984-85	6,370.0	34.0	1,970.0	118,440	Dec 19	23,500
1985-86	13,600.0	51.4	338.0	244,741	Feb 15	54,400
1986-87	4,050.0	92.6	164.0	118,510	Nov 18	15,500
1987-88	8,230.0	85.0	242.8	176,277	Dec 04	48,900
1988-89	3,740.0	101.0	195.0	141,249	Dec 16	16,900
1989-90	12,100.0	115.0	196.0	141,594	Feb 17	25,600
1990-91	10,700.0	108.0	310.0	224,410	Feb 28	42,400
1991-92	23,800.0	110.0	668.0	484,849	Feb 12	66,400
1992-93	35,000.0	123.0	1,549.0	1,122,000	Feb 08	86,000
1993-94	4,090.0	113.0	259.0	187,400	Mar 24	19,700

M Data Missing
 * Record incomplete
 E Estimate
 N.D. Not determined
 ** Record not Computed
 + Less than 0.05 Acre Feet or less than 0.05 CFS, but greater than 0

RUNOFF – STREAM GAGING STATION PEAK FLOW

LOS ANGELES RIVER *below* Wardlow River Road
 STATION NO. F319-R

Season	Daily CFS			Total Runoff (Acre-feet)	Peak Inflow	
	Maximum	Minimum	Mean		Date	CFS
1994-95	43,900.0	92.5	1,022.0	740,000	Mar 11	113,000
1995-96	15,100.0	96.8	261.0	189,200	Feb 21	35,400
1996-97	7,390.0	91.0	299.0	216,300	Dec 09	28,600
1997-98	*	*	*	*		*
1998-99	M	*	*			M
1999-00	477.0*	164.0*	203.0*	24,560*		N.D.
2000-01	12,700.0	116.0	405.0	293,500	Jan 11	54,400
2001-02	3,837.8	105.1	185.8	131,061.3	Nov 24	28,837
2002-03	19,959.3	68.4	317.0	229,040.9	Feb 12	58,000
2003-04	15,433.0	86.2	196.0	142,368.5	Feb 26	61,300
2004-05	44,900.0	76.0	1,274.0	922,000.0	Jan 09	71,500

M	Data Missing
*	Record incomplete
E	Estimate
N.D.	Not determined
**	Record not Computed
+	Less than 0.05 Acre Feet or less than 0.05 CFS, but greater than 0

RUNOFF – STREAM GAGING STATION PEAK FLOW

LOS ANGELES RIVER *below* Firestone Blvd.
STATION NO. F34D-R

Season	Daily CFS			Total Runoff (Acre-feet)	Peak Inflow	
	Maximum	Minimum	Mean		Date	CFS
1927-28	*	0.0	*	6990*	Feb 04	1120*
1928-29	775.0	0.0	13.6	9,830	Nov 14	2,010
1929-30	813.0	0.0	13.4	9,730	Mar 15	2,210
1930-31	1,560.0	1.4	18.6	13,450	Feb 04	4,360
1931-32	2,650.0	0.4	35.3	25,620	Feb 08	4,780
1932-33	2,900.0	0.0	23.5	17,020	Jan 19	7,070
1933-34	8,550.0	0.0	52.9	38,330	Jan 01	29,400
1934-35	1,430.0	0.0	40.3	29,170	Jan 05	10,400
1935-36	1,040.0	0.0	20.5	14,920	Feb 12	5,730
1936-37	3,460.0	0.0	67.2	48,630	Dec 30	10,000E
1937-38	40,000.0	0.0	278.0	201,300	Mar 02	79,000
1938-39	5,090.0E	0.0	108.0	78,440	Sep 25	10,800
1939-40	2,410.0	14.0E	80.5	58,420	Jan 08	7,610
1940-41	7,580.0	10.0	345.0	249,500	Feb 20	14,800
1941-42	2,030.0	27.0	97.8	70,820	Dec 10	8,210
1942-43	10,700.0	18.0	268.0	193,700	Jan 23	27,500
1943-44	13,000.0	38.0	249.0	180,900	Feb 22	24,800
1944-45	1,980.0	16.0	91.0	65,900	Feb 02	6,970
1945-46	4,000.0	8.4	95.8	69,310	Dec 22	12,500
1946-47	2,760.0	14.0	99.7	72,180	Dec 25	14,900
1947-48	1,280.0	10.0	52.8	38,350	Mar 24	8,980
1948-49	1,130.0	11.0	49.1	35,550	Dec 17	5,300
1949-50	1,770.0	8.5	43.9	31,760	Feb 06	8,480
1950-51	898.0	7.5	35.3	25,560	Jan 11	5,840
1951-52	12,000.0	1.8	249.0	180,500	Jan 16	32,900
1952-53	2,000.0	1.4	57.1	41,380	Nov 15	14,100
1953-54	4,190.0	1.2	70.9	51,330	Feb 13	19,500
1954-55	2,470.0	6.2	54.3	39,340	Jan 18	13,700
1955-56	12,000.0	8.2	91.5	66,440	Jan 26	28,900
1956-57	3,960.0	3.8	53.2	38,500	Feb 23	24,600
1957-58	6,290.0	4.3	191.0	138,400	Feb 19	34,100
1958-59	4,660.0	5.9	51.4	37,210	Jan 06	24,200
1959-60	2,090.0	4.0	43.6	31,610	Jan 12	10,700

M Data Missing
 * Record incomplete
 E Estimate
 N.D. Not determined
 ** Record not Computed
 + Less than 0.05 Acre Feet or less than 0.05 CFS, but greater than 0

RUNOFF – STREAM GAGING STATION PEAK FLOW

LOS ANGELES RIVER *below* Firestone Blvd.
STATION NO. F34D-R

Season	Daily CFS			Total Runoff (Acre-feet)	Peak Inflow	
	Maximum	Minimum	Mean		Date	CFS
1960-61	2,230.0	4.5	32.6	23,600	Nov 05	7,810
1961-62	9,630.0	3.8	170.0	123,300	Feb 12	28,400
1962-63	4,080.0	4.3	56.2	40,690	Feb 09	19,300
1963-64	2,810.0	2.6	49.6	36,030	Jan 21	11,400
1964-65	3,380.0	4.3	66.5	48,110	Apr 09	18,700
1965-66	15,700.0	4.3	209.0	151,200	Dec 29	37,000
1966-67	10,000.0	6.0	159.0	114,800	Nov 07	37,100
1967-68	9,410.0	13.0	116.0	84,240	Mar 08	37,400
1968-69	31,800.0	12.0	541.0	391,800	Jan 25	58,000
1969-70	4,250.0	13.0	90.4	65,440	Feb 28	20,900
1970-71	16,700.0	11.0	162.0	117,300	Nov 29	49,800
1971-72	6,980.0	14.0	86.6	62,890	Dec 24	27,400
1972-73	14,470.0	13.0	221.0	160,300	Jan 18	49,020
1973-74	15,690.0	10.6	157.0	113,600	Jan 07	32,300
1974-75	8,480.0	9.0	119.0	86,470	Dec 04	53,950
1975-76	3,390.0	6.0	68.0	48,400	Sep 10	8,160E
1976-77	5,550.0	5.4	115.0	83,300	Jan 03	30,900
1977-78	73,000.0	7.8	740.2	536,000	Feb 10	73,400
1978-79	*	*	*	*	Mar 27	*
1979-80	21,500.0	30.2	522.1	369,810	Feb 16	74,400
1980-81	3,870.0	26.6	128.4	93,065	Jan 29	33,600
1981-82	5,730.0	24.6	178.0	128,979	Mar 14	29,400
1982-83	32,400.0	33.7	729.0	527,837	Mar 01	58,400
1983-84	5,650.0	22.8	131.0	94,770	Dec 05	22,400
1984-85	4,560.0	33.7	127.6E	46,523		N.D.
1985-86	*	*	*	*		*
1986-87	*	*	*	*		*
1987-88	NO RECORD					
1988-89	*	*	*	*		*
1989-90	6,060.0	100.0	150.0	108,676	Feb 17	14,700
1990-91	7,850.0	99.0	243.0	178,822	Feb 27	37,300
1991-92	16,500.0	101.0	431.0	313,100	Feb 12	49,800
1992-93	17,000.0	111.0	740.0	536,100	Dec 07	60,400

M Data Missing
 * Record incomplete
 E Estimate
 N.D. Not determined
 ** Record not Computed
 + Less than 0.05 Acre Feet or less than 0.05 CFS, but greater than 0

RUNOFF – STREAM GAGING STATION PEAK FLOW

LOS ANGELES RIVER *below* Firestone Blvd.
STATION NO. F34D-R

Season	Daily CFS			Total Runoff (Acre-feet)	Peak Inflow	
	Maximum	Minimum	Mean		Date	CFS
1993-94	3,870.0	92.6	192.0	138,800	Feb 20	21,100
1994-95	24,200.0	96.5	487.0	352,800	Mar 11	74,300
1995-96	9,110.0	87.2	189.0	137,200	Feb 21	37,900
1996-97	6,170.0	98.0	232.0	168,000	Dec 09	29,900
1997-98	23,600.0	96.0	732.0	530,100	Feb 03	60,100
1998-99	4,100.0	88.0	241.0	174,200	Jan 31	20,500
1999-00	7,260.0	88.0	273.0	198,300	Feb 23	43,100
2000-01	10,100.0	88.0	345.0	250,100	Jan 11	49,600
2001-02	Unreliable	data			Nov 24	890
2002-03	15,712.7	104.8	259.0	187,881.1		N.D.
2003-04	3,302.7	124.4	153.0	107,052.9		N.D.
2004-05	3,080.0	124.0		158,000.0		

M	Data Missing
*	Record incomplete
E	Estimate
N.D.	Not determined
**	Record not Computed
+	Less than 0.05 Acre Feet or less than 0.05 CFS, but greater than 0

RUNOFF – STREAM GAGING STATION PEAK FLOW

LOS ANGELES RIVER @ Tujunga Avenue
STATION NO. F300-R

Season	Daily CFS			Total Runoff (Acre-feet)	Peak Inflow	
	Maximum	Minimum	Mean		Date	CFS
1950-51	181.0	2.6	12.3	8,910	Jan 29	598
1951-52	5,360.0	3.1	101.0	73,040	Jan 15	13,200
1952-53	851.0	6.5	27.1	19,610	Dec 01	2,900
1953-54	1,360.0	4.6	27.2	19,690	Feb 13	5,190
1954-55	842.0	5.7	30.4	22,000	Jan 10	4,560
1955-56	3,890.0	5.7	35.1	25,490	Jan 16	6,800
1956-57	1,300.0	4.5	27.2	19,700	Jan 13	6,060
1957-58	3,530.0	3.8	100.0	72,710	Apr 03	10,800
1958-59	2,080.0	4.8	29.2	21,180	Jan 06	12,800
1959-60	1,040.0	4.0	28.0	20,650	Jan 12	6,900
1960-61	1,010.0	3.2	18.3	13,260	Nov 05	6,600
1961-62	6,170.0	2.6	97.7	70,690	Feb 12	21,000
1962-63	2,200.0	4.0	34.1	24,690	Feb 09	8,700
1963-64	1,440.0	3.6	35.4	25,730	Jan 22	7,910
1964-65	2,020.0	5.0	50.4	36,490	Apr 09	7,840
1965-66	8,990.0	8.2	126.0	91,340	Dec 29	20,500
1966-67	5,860.0	5.2	83.3	60,320	Nov 07	21,000
1967-68	5,720.0	5.5	66.8	48,500	Mar 08	18,300
1968-69	19,100.0	4.8	355.0	256,800	Jan 25	30,800
1969-70	2,450.0	6.4	55.4	40,080	Mar 04	11,600
1970-71	9,170.0	7.0	95.4	69,090	Nov 29	25,900
1971-72	2,800.0	7.8	38.0	27,520	Dec 27	11,000
1972-73	6,470.0	5.5	101.0	73,100	Jan 18	17,900
1973-74	7,650.0	5.0	73.0	52,830	Jan 07	16,100
1974-75	3,570.0	5.0	57.1	41,310	Dec 04	16,740
1975-76	2,440.0	3.7	35.5	25,200	Feb 09	9,680
1976-77	2,920.0	1.5	50.9	36,850	Jan 03	15,300
1977-78	19,200.0	0.8	454.6	329,106	Feb 10	30,100
1978-79	5,210.0	5.5	136.0	98,301	Mar 27	22,500
1979-80	9,440.0	8.4	284.9	202,020	Feb 16	27,625
1980-81	2,600.0	10.0	77.7	56,220	Jan 29	17,940
1981-82	3,610.0	5.0	72.7	52,648	Mar 17	17,800
1982-83	19,580.0	5.7	416.8	301,711	Mar 01	27,625

M Data Missing
 * Record incomplete
 E Estimate
 N.D. Not determined
 ** Record not Computed
 + Less than 0.05 Acre Feet or less than 0.05 CFS, but greater than 0

RUNOFF – STREAM GAGING STATION PEAK FLOW

LOS ANGELES RIVER @ Tujunga Avenue
STATION NO. F300-R

Season	Daily CFS			Total Runoff (Acre-feet)	Peak Inflow	
	Maximum	Minimum	Mean		Date	CFS
1983-84	NO RECORD					
1984-85	1,820.0	8.1	47.4	34,312	Dec 18	6,740
1985-86	3,060.0	20.0	126.0	91,248	Jan 31	16,700
1986-87	*	*	*	*		*
1987-88	3,850.0	31.7	164.4	118,911	Oct 22	24,300
1988-89	1,460.0	59.8	103.4	74,960	Dec 24	5,140
1989-90	2,910.0	55.6	93.5	67,699	Feb 17	7,296
1990-91	3,130.0	14.4	113.7	82,553	Feb 27	13,500
1991-92	10,800.0	33.7	239.0	173,398	Feb 11	22,300
1992-93	10,600.0	51.9	416.0	301,300	Feb 07	25,700
1993-94	2,390.0	54.7	133.0	96,020		N.D.
1994-95	10,800.0	53.7	252.0	167,800	Mar 10	35,000
1995-96	3,110.0	51.0	117.0	84,630	Feb 21	13,000
1996-97	2,590.0	53.0	156.0	112,700	Dec 09	12,300
1997-98	11,900.0	63.0	420.0	304,200	Feb 23	30,500
1998-99	1,200.0	35.0	85.1	61,630	Jan 31	9,320
1999-00	1,200.0	35.0	85.1	61,630	Feb 23	9,320
2000-01	2,790.0	47.0	134.0	97,450	Jan 11	17,200
2001-02	1,489.4	26.6	90.5	65,515.0	Nov 24	12,815
2002-03	10,976.2	43.3	187.0	135,474.1	Feb 12	25,000
2003-04	3,711.5	42.1	110.0	80,739.7	Feb 26	16,400
2004-05	15,800.0	35.0	582.0	421,000.0	Jan 09	25,300

M	Data Missing
*	Record incomplete
E	Estimate
N.D.	Not determined
**	Record not Computed
+	Less than 0.05 Acre Feet or less than 0.05 CFS, but greater than 0

RUNOFF – STREAM GAGING STATION PEAK FLOW

**MALIBU CREEK *below* Cold Creek
STATION NO. F130-R**

Season	Daily CFS			Total Runoff (Acre-feet)	Peak Inflow	
	Maximum	Minimum	Mean		Date	CFS
1930-31	*	*	*	1,920*	Feb 04	723
1931-32	1,770.0	+	20.2	14,670	Feb 09	3,100
1932-33	1,100.0	0.1	12.7	9,190	Jan 19	4,460
1933-34	3,160.0	0.1	17.1	12,370	Jan 01	9,650
1934-35	511.0	+	8.6	6,220		N.D.
1935-36	92.0	0.0	3.2	2,310	Feb 23	147
1936-37	1,680.0	0.0	33.1	23,940	Feb 14	2,760
1937-38	5,090.0E	0.2	47.1	34,100	Mar 02	10,000E
1938-39	139.0	0.0	6.4	4,630	Dec 20	331
1939-40	335.0	+	8.4	6,100	Feb 02	690
1940-41	2,200.0	0.1	101.0	73,220	Feb 20	3,620
1941-42	32.0	0.1	2.5	1,820	Dec 28	140
1942-43	5,370.0	0.1	65.8	47,600	Jan 22	12,200
1943-44	3,400.0	0.7	41.6	30,170	Feb 22	7,700
1944-45	210.0	0.2	5.8	4,240	Feb 02	516
1945-46	267.0	0.1	5.2	3,800	Mar 30	506
1946-47	142.0	0.1	5.3	3,820	Nov 13	980
1947-48	15.0	+	0.2	177.0	Mar 24	113
1948-49	0.6	+	0.1	90.0	May 18	1
1949-50	64.0	0.0	0.7	477.0	Feb 06	674
1950-51	0.3	0.0	0.1	56.0	Jan 11	3
1951-52	6,720.0	0.0	80.2	58,200	Mar 15	13,600
1952-53	81.0	+	4.0	2,940	Nov 15	322
1953-54	655.0	0.1	6.9	4,990	Feb 13	2,250
1954-55	16.0	0.1	1.0	758.0	Jan 18	45
1955-56	1,260.0	0.1	6.5	4,680	Jan 26	3,600
1956-57	12.0	+	0.6	444.0	Feb 23	46
1957-58	1,630.0	+	43.7	31,660	Apr 03	4,260
1958-59	114.0	0.1	2.1	1,510	Jan 06	3,180
1959-60	17.0	+	0.7	504.0	Apr 27	84
1960-61	2.0	+	0.1	99.0	Jan 26	8
1961-62	3,920.0	+	36.3	26,150	Feb 10	7,060
1962-63	24.0	+	1.0	701.0	Mar 16	104

M Data Missing
 * Record incomplete
 E Estimate
 N.D. Not determined
 ** Record not Computed
 + Less than 0.05 Acre Feet or less than 0.05 CFS, but greater than 0

RUNOFF – STREAM GAGING STATION PEAK FLOW

**MALIBU CREEK *below* Cold Creek
STATION NO. F130-R**

Season	Daily CFS			Total Runoff (Acre-feet)	Peak Inflow	
	Maximum	Minimum	Mean		Date	CFS
1963-64	17.0	+	0.5	384.0	Jan 22	65
1964-65	148.0	+	2.2	1,560	Apr 09	521
1965-66	7,060.0	0.2	51.8	37,520	Dec 29	20,600
1966-67	2,710.0	0.9	35.5	25,700	Jan 24	10,200
1967-68	1,350.0	1.0	18.5	13,430	Mar 08	3,830
1968-69	24,200.0	1.4	166.0	119,900	Jan 25	33,800
1969-70	368.0	0.5	9.9	7,200	Mar 04	1,150
1970-71	1,480.0	1.2	23.7	17,300	Dec 19	7,390
1971-72	582.0	0.9	6.0	4,340	Dec 27	2,120
1972-73	3,340.0	0.8	35.1	25,400	Feb 11	7,480
1973-74	2,240.0	2.7	22.0	15,910	Jan 07	5,100
1974-75	519.0	2.3	15.2	11,020	Dec 04	2,670
1975-76	163.0	1.1	5.4	3,910	Feb 09	339
1976-77	315.0	1.1	6.9	4,980	Jan 07	597
1977-78	7,620.0	1.7	112.4	80,990	Mar 04	19,400
1978-79	1,220.0	2.3	46.4	33,408	Mar 27	4,420
1979-80	*	*	*	*	Feb 16	*
1980-81	357.0	1.7	13.5	9,832	Mar 05	910
1981-82	400.0	2.2	13.9	10,031	Mar 17	676
1982-83	7,720.0	2.7	121.8	88,148	Mar 01	24,200
1983-84	758.0	2.5	24.1	17,411	Dec 25	1,840
1984-85	588.0	0.9	16.6	12,002	Dec 19	880
1985-86	1,480.0	1.4	39.3	27,881	Feb 15	5,880
1986-87	216.0	0.5	8.6	6,236	Nov 18	653
1987-88	559.0	0.6	24.0	17,337	Feb 28	1,680
1988-89	257.0	1.6	12.3	8,876	Feb 09	441
1989-90	*	*	*	*		*
1990-91	982.0	0.8	20.5	14,872	Mar 19	3,150
1991-92	5,850.0	2.0	92.7	67,330	Feb 10	23,300
1992-93	*	*	*	*		*
1993-94	880.0	0.9	16.7	11,090	Feb 20	2,450
1994-95	4,530.0	3.1	97.8	68,700	Mar 11	15,700
1995-96	637.0	1.5	12.9	9,395	Feb 21	1,220

M Data Missing
 * Record incomplete
 E Estimate
 N.D. Not determined
 ** Record not Computed
 + Less than 0.05 Acre Feet or less than 0.05 CFS, but greater than 0

RUNOFF – STREAM GAGING STATION PEAK FLOW

MALIBU CREEK *below* Cold Creek
STATION NO. F130-R

Season	Daily CFS			Total Runoff (Acre-feet)	Peak Inflow	
	Maximum	Minimum	Mean		Date	CFS
1996-97	807.0	3.2	43.1	31,180	Dec 09	1,800
1997-98	4,020.0	2.4	113.0	81,700	Feb 07	19,100
1998-99	134.0	2.8	10.3	7,430	Apr 11	761
1999-00	701.0	1.4	22.6	16,440	Feb 23	2,380
2000-01	3,950.0	0.6	53.8	38,920	Mar 06	10,900
2001-02	93.3	0.9	10.6	7,670.1	Nov 24	413
2002-03	1,978.6	1.9	25.9	18,761.4	Feb 12	5,410
2003-04	1,470.2	1.2	13.0	9,441.6	Feb 26	5,130
2004-05	7,330.0	1.3		103,000.0	Jan 09	12,700

M	Data Missing
*	Record incomplete
E	Estimate
N.D.	Not determined
**	Record not Computed
+	Less than 0.05 Acre Feet or less than 0.05 CFS, but greater than 0

RUNOFF – STREAM GAGING STATION PEAK FLOW

MESCAL CREEK @Mouth of Canyon
STATION NO. F395-R

Season	Daily CFS			Total Runoff (Acre-feet)	Peak Inflow	
	Maximum	Minimum	Mean		Date	CFS
1982-83*	72.0	0.0	5.2	3,795.0	Mar 01	120
1983-84	17.3	0.0	2.6	1,905.1	Dec 25	35
1984-85	1.6	0.0	0.2	139.6	Dec 27	8
1985-86	40.9	0.0	1.1	794.2	Feb 15	115
1986-87	1.7	0.0	0.1	39.1	Mar 07	8
1987-88	5.4	0.0	0.4	324.7		
1988-89	3.7	0.0	0.2	121.2	Mar 04	16
1989-90*	3.5	0.0	0.1	26.8		
1990-91	20.8	0.0	8.4	511.7		
1991-92*	59.7	0.0	2.1	1,235.0		
1992-93*	153.0	0.0	11.4	4,538.0		
1993-94	NO RECORD					
1994-95	69.3	0.0	3.0	2,184.0	Mar 05	132
1995-96*	13.6	0.0	0.5	369.0	Apr 08	127
1996-97	17.0	0.0	0.4	264.0	Jan 26	40
1997-98	71.0	0.0	4.2	3,050.0	Feb 23	174
1998-99	1.0	0.0	0.1	104.0	Jul 14	3
1999-00*	2.0	0.0	0.2	124.0	Feb 21	4
2000-01	14.0	0.0	1.3	952.0	May 21	15
2001-02	0.5	0.0	0.0	1.0	Nov 24	8
2002-03	0.0	0.0	0.2	0.0	Sep 03	247
2003-04	3.8	0.0	0.1	75.0	Dec 25	23
2004-05	209.0	0.0	8.3	5,980.0	Jan 09	370

M	Data Missing
*	Record incomplete
E	Estimate
N.D.	Not determined
**	Record not Computed
+	Less than 0.05 Acre Feet or less than 0.05 CFS, but greater than 0

RUNOFF – STREAM GAGING STATION PEAK FLOW

MINT CANYON CREEK @ Fitch Avenue
STATION NO. F328-R

Season	Daily CFS			Total Runoff (Acre-feet)	Peak Inflow	
	Maximum	Minimum	Mean		Date	CFS
1957-58	66.0	0.0	0.6	435.0	Dec 15	708
1958-59	14.0	0.0	+	44.0	Jan 06	317
1959-60	0.3	0.0	+	2.0	Jan 10	8
1960-61	3.6	0.0	+	14.0	Nov 05	64
1961-62	49.0	0.0	0.4	257.0	Feb 11	176
1962-63	3.0	0.0	+	26.0	Sep 18	70
1963-64	13.0	0.0	0.1	45.0	Apr 01	111
1964-65	17.0	0.0	0.1	66.0	Apr 08	94
1965-66	71.0	0.0	0.8	588.0	Nov 17	684
1966-67	14.0	0.0	0.1	72.0	Dec 03	185
1967-68	13.0	0.0	+	34.0	Nov 19	251
1968-69	1,030.0	0.0	4.4	3,190	Feb 25	3,500
1969-70	5.0	0.0	0.1	25.0	Feb 28	46
1970-71	85.0	0.0	0.4	328.0	Nov 29	943
1971-72	5.9	0.0	0.1	35.0	Dec 27	60
1972-73	25.0	0.0	0.2	117.0	Feb 11	184
1973-74	2.8	0.0	+	13.0	Jan 07	11
1974-75	4.4	0.0	+	27.0	Mar 08	85
1975-76	12.0	0.0	0.1	46.0	Sep 05	389
1976-77	3.9	0.0	0.0	18.0	May 08	43
1977-78	*	*	*	*	Mar 04	*
1978-79	48.0	0.0	0.2	144.0	Mar 28	395
1979-80	119.4	0.0	1.7	1,201	Feb 16	415
1980-81	8.2	0.0	0.3	237.0	Jan 28	80
1981-82	22.6	0.0	8.6	483.0	Mar 17	157
1982-83	392.0	0.0	2.6	1,873	Mar 02	1,353
1983-84	1.8	0.0	0.2	202.0	Dec 25	6
1984-85	16.1	0.0	0.1	65.0	Dec 19	46
1985-86	59.7	0.0	9.9	302.0	Mar 16	188
1986-87	0.0	0.0	0.0	0.0		0
1987-88	8.8	0.0	0.1	46.0		N.D.
1988-89	19.0	0.0	0.2	131.0	Feb 09	71
1989-90	37.8	0.0	0.5	356.0		N.D.

M Data Missing
 * Record incomplete
 E Estimate
 N.D. Not determined
 ** Record not Computed
 + Less than 0.05 Acre Feet or less than 0.05 CFS, but greater than 0

RUNOFF – STREAM GAGING STATION PEAK FLOW

**MINT CANYON CREEK @ Fitch Avenue
STATION NO. F328-R**

Season	Daily CFS			Total Runoff (Acre-feet)	Peak Inflow	
	Maximum	Minimum	Mean		Date	CFS
1990-91	0.0	0.0	0.0	0.0		0
1991-92	*	*	*	*		*
1992-93	77.1	0.0	4.0	2,929	Mar 22	87
1993-94	1.5	0.0	0.5	392.0	Feb 04	2
1994-95	43.5*	0.1*	*	*	Jan 10	157
1995-96	60.4	0.0	0.7	478.0		*
1996-97	4.0	0.0	0.1	59.0	Jan 26	33
1997-98	276.0	0.0	1.5	1,080	Feb 23	1,560
1998-99	4.7	0.0	0.1	68.0	Oct 18	27
1999-00	40.0	0.0	0.3	219.0	Feb 23	167
2000-01	13.0	0.0	0.1	57.0	Feb 13	50
2001-02	0.7	0.0	0.0	9.1	Nov 24	3
2002-03	0.0	0.0	0.5	0.0	Feb 12	539
2003-04	8.9	0.0	0.0	51.3	Feb 26	20
2004-05	229.0	0.0	2.7	1,930.0	Jan 09	550

M	Data Missing
*	Record incomplete
E	Estimate
N.D.	Not determined
**	Record not Computed
+	Less than 0.05 Acre Feet or less than 0.05 CFS, but greater than 0

RUNOFF – STREAM GAGING STATION PEAK FLOW

MONTEBELLO STORM DRAIN *outlet to Rio Hondo*
STATION NO. F181-R

Season	Daily CFS			Total Runoff (Acre-feet)	Peak Inflow	
	Maximum	Minimum	Mean		Date	CFS
1931-32	*	0.0	*	1,120*	Jan 31	531
1932-33	125.0	0.0	0.8	529.0	Jan 19	713
1933-34	391.0	0.0	2.6	1,910	Jan 01	1,360
1934-35	114.0	0.0	2.3	1,650	Jan 05	1,140
1935-36	55.0	0.0	1.2	889.0	Feb 14	374
1936-37	NO RECORD					
1937-38	N.D.	N.D.	N.D.	N.D.	Mar 02	1,400E
1938-39	147.0	0.0	1.4	981.0	Sep 25	688
1939-40	77.0	0.1	1.2	885.0	Feb 01	729
1940-41	204.0	0.1	5.6	4,090	Mar 03	936
1941-42	102.0	0.1	1.3	962.0	Dec 10	521
1942-43	300.0E	0.1	3.6	2,580		N.D.
1943-44	323.0E	0.1	3.3	2,390	Feb 22	1,040
1944-45	64.0	0.1E	0.8	768.0	Nov 11	506
1945-46	92.0	0.0	1.2	865.0	Dec 22	384
1946-47	144.0	0.1	1.9	1,350	Nov 13	1,240
1947-48	86.0	0.1	1.3	913.0	Dec 05	1,220
1948-49	41.0	0.1	1.2	861.0	Dec 17	347
1949-50	95.0	0.1	1.7	1,240	Jan 08	790
1950-51	50.0	0.1	1.2	888.0	Jan 10	333
1951-52	302.0	0.1	4.6	3,330	Mar 07	1,010
1952-53	97.0	0.1	2.0	1,430	Nov 15	770
1953-54	232.0	0.1	3.0	2,190	Feb 13	1,010
1954-55	*	*	*	1,210*	Jan 18	759
1955-56	463.0	+	2.9	2,110	Jan 26	856
1956-57	65.0	+	1.6	1,120	Feb 28	570
1957-58	199.0	+	4.5	3,250	Feb 19	865
1958-59	109.0	0.1	1.7	1,230	Jan 06	869
1959-60	96.0	0.1	2.1	1,530	Jan 12	784
1960-61	65.0	0.1	1.2	884.0	Nov 26	478
1961-62	225.0	0.1	4.6	3,370	Feb 12	783
1962-63	129.0	0.3	2.1	1,530	Mar 16	851
1963-64	77.0	0.2	1.8	1,280	Nov 19	553

M Data Missing
* Record incomplete
E Estimate
N.D. Not determined
** Record not Computed
+ Less than 0.05 Acre Feet or less than 0.05 CFS, but greater than 0

RUNOFF – STREAM GAGING STATION PEAK FLOW

MONTEBELLO STORM DRAIN *outlet to Rio Hondo*
STATION NO. F181-R

Season	Daily CFS			Total Runoff (Acre-feet)	Peak Inflow	
	Maximum	Minimum	Mean		Date	CFS
1964-65	124.0	+	2.7	1,970	Apr 09	844
1965-66	281.0	0.1	4.4	3,200	Dec 29	904
1966-67	288.0	0.2	4.9	3,560	Jan 24	1,060
1967-68	198.0	0.2	2.9	2,130	Mar 08	923
1968-69	424.0	0.2	8.5	6,165	Jan 25	1,600E
1969-70	135.0	+	2.4	1,740	Feb 10	792
1970-71	169.0	+	2.8	2,000	Nov 29	833
1971-72	142.0	0.2	1.6	1,160	Dec 24	637
1972-73	140.0	0.1	3.8	2,740	Feb 27	811
1973-74	128.0	+	1.4	988.0	Jan 07	546
1974-75	61.0	+	1.0	748.0	Dec 04	608
1975-76	39.0	+	0.8	603.0	Sep 11	240
1976-77	36.1	0.0	0.7	490.0	May 08	226
1977-78	318.0	0.0	4.2	3,050	Jan 16	991
1978-79	107.0	0.0	1.7	1,239	Mar 27	619
1979-80	809.0	0.0	9.6	6,759		N.D.
1980-81	52.8	0.0	0.7	515.0	Mar 02	293
1981-82	62.2	0.0	1.0	728.0	Nov 28	341
1982-83	630.0	0.0	6.0	4,319	Mar 01	1,620
1983-84	31.7	0.0	6.0	455.0	Oct 01	506
1984-85	43.5	0.0	0.9	644.0	Dec 19	469
1985-86	77.6	0.0	1.4	1,327	Feb 14	676
1986-87	38.6	0.0	0.5	391.0	Oct 02	520
1987-88	81.2	0.0	1.1	775.0	Jan 17	493
1988-89	30.3	0.1	1.0	726.0	Dec 21	255
1989-90	110.0	0.1	1.1	767.0	Feb 17	500
1990-91	74.8	0.0	1.3	907.0	Feb 27	486
1991-92	183.0	0.1	2.2	1,565	Feb 12	1,020
1992-93	204.0	0.0	4.6	3,364	Dec 07	1,040
1993-94	47.7	0.0	0.7	536.0	Mar 19	542
1994-95	131.0	0.0	4.0	2,896	Jan 10	1,340
1995-96	134.0	0.0	1.1	792.0	Feb 20	899
1996-97	35.0	0.0	1.0	745.0	Jan 15	290

M Data Missing
 * Record incomplete
 E Estimate
 N.D. Not determined
 ** Record not Computed
 + Less than 0.05 Acre Feet or less than 0.05 CFS, but greater than 0

RUNOFF – STREAM GAGING STATION PEAK FLOW

MONTEBELLO STORM DRAIN *outlet to Rio Hondo*
 STATION NO. F181-R

Season	Daily CFS			Total Runoff (Acre-feet)	Peak Inflow	
	Maximum	Minimum	Mean		Date	CFS
1997-98	60.0	+	1.7	1,230	Feb 06	658
1998-99	26.0	0.0	0.5	358.0	Nov 28	214
1999-00	124.0	0.1	1.8	1,270	Feb 23	254
2000-01	66.0	+	1.5	1,060	Jan 12	641
2001-02	29.8	0.0	0.4	297.9	Nov 24	472
2002-03	128.8	0.0	1.4	1,037.4	Feb 12	644
2003-04	64.8	0.0	0.9	643.3	Feb 25	663
2004-05	82.0	0.1	1.0	720.0	Jan 09	190

M	Data Missing
*	Record incomplete
E	Estimate
N.D.	Not determined
**	Record not Computed
+	Less than 0.05 Acre Feet or less than 0.05 CFS, but greater than 0

RUNOFF – STREAM GAGING STATION PEAK FLOW

**PACOIMA CREEK FLUME *below* Pacoima Dam
STATION NO. F118B-R**

Season	Daily CFS			Total Runoff (Acre-feet)	Peak Inflow	
	Maximum	Minimum	Mean		Date	CFS
1931-32	75.0	0.0	11.7	8,408.8	Feb 16	75
1932-33	27.8	0.0	2.5	1,790.8	Apr 13	81
1933-34	39.7	0.1	3.9	2,543.5	Jan 26	54
1934-35	56.0	0.0	9.0	3,961.6	Aug 21	174
1935-36	57.0	0.0	4.2	3,021.2	May 13	153
1936-37	216.0	0.0	20.7	14,559.0	Mar 02	233
1937-38	339.0	0.0	33.1	22,739.1	Mar 02	685
1938-39	49.0	0.1	4.9	3,079.2	Jan 20	51
1939-40	123.0	0.1	4.5	3,177.9	Feb 04	169
1940-41	431.0	0.0	41.0	26,430.0	Mar 05	460
1941-42	25.0	0.0	3.5	1,986.6	Jul 15	97
1942-43	576.0	0.0	31.3	20,401.8	Jan 23	598
1943-44	305.0	0.0	21.0	15,136.5	Mar 02	326
1944-45	174.0	0.0	7.6	4,909.3	Feb 02	397
1945-46	137.0	0.0	8.3	2,904.0	Feb 05	241
1946-47	230.0	0.0	8.2	6,026.4	Jan 07	237
1947-48	6.4	0.0	0.4	322.5	Jun 22	10
1948-49	7.9	0.0	1.4	739.8	Jun 24	10
1949-50	98.0	0.0	1.4	1,020.7	Apr 11	314
1950-51	5.3	0.0	0.1	66.0	Jun 12	17
1951-52	416.0	0.0	19.6	14,350.4	Jan 18	634
1952-53	157.0	0.0	4.9	3,502.0	Nov 17	163
1953-54	229.0	0.0	4.1	2,941.9	Apr 05	292
1954-55	14.7	0.0	1.0	737.1	Apr 21	42
1955-56	5.2	0.0	1.7	1,251.8	Nov 23	66
1956-57	28.0	0.0	1.1	774.5	May 07	47
1957-58	N.D.					
1958-59	N.D.					
1959-60	3.7	0.0	0.4	268.8	Aug 02	4
1960-61	0.1	0.0	0.0	6.2		0
1961-62	160.0	0.0	9.2	6,340.4	Apr 07	511
1962-63	20.0	0.0	0.3	193.2	Sep 25	23
1963-64	19.3	0.0	0.9	666.8	Jun 15	117

M Data Missing
 * Record incomplete
 E Estimate
 N.D. Not determined
 ** Record not Computed
 + Less than 0.05 Acre Feet or less than 0.05 CFS, but greater than 0

RUNOFF – STREAM GAGING STATION PEAK FLOW

PACOIMA CREEK FLUME *below* Pacoima Dam
 STATION NO. F118B-R

Season	Daily CFS			Total Runoff (Acre-feet)	Peak Inflow	
	Maximum	Minimum	Mean		Date	CFS
1964-65	5.1	0.0	1.4	996.5	May 07	5
1965-66	480.0	0.0	20.9	15,184.1	Nov 23	664
1966-67	193.0	0.0	32.5	23,601.5	Jul 06	197
1967-68	N.D.					
1968-69	N.D.					
1969-70	N.D.					
1970-71	N.D.					
1971-72	N.D.					
1972-73	N.D.					
1973-74	N.D.					
1974-75	66.0	0.1	3.5	2,527.5	Dec 12	211
1975-76	63.8	0.1	2.2	1,613.6	Jun 15	66
1976-77	25.9	0.0	0.7	507.8	Apr 04	460
1977-78	1,029.0	0.0	54.7	39,723.8	Mar 04	39,724
1978-79	134.4	0.0	16.6	12,016.9		
1979-80	980.0	0.0	35.8	26,180.6	Feb 16	977
1980-81	124.0	0.0	4.7	3,438.5	Feb 05	134
1981-82	131.0	0.2	6.7	4,868.4	Mar 26	135
1982-83	2,044.0	0.2	61.4	44,490.0	Mar 01	3,941
1983-84	101.0	0.0	1.9	1,386.2	Jan 25	252
1984-85	170.0	0.0	4.8	3,466.9		
1985-86	110.0	0.0	9.8	7,083.0	May 27	245
1986-87	33.6	0.0	0.0	0.0		
1987-88	58.9	0.0	4.7	3,366.1		
1988-89	36.0	0.0	2.6	1,924.8	Dec 21	309
1989-90	93.5	0.0	0.7	675.0	Oct 11	308
1990-91	355.0	0.0	40.5	26,401.4		
1991-92	704.0	0.0	28.7	20,798.0	Feb 12	917
1992-93	688.0	0.0	69.8	50,500.0	Jan 13	745
1993-94*	71.3	0.0	4.2	774.0		
1994-95	N.D.					
1995-96	N.D.					
1996-97	174.0	0.6	7.5	5,430.0		

M Data Missing
 * Record incomplete
 E Estimate
 N.D. Not determined
 ** Record not Computed
 + Less than 0.05 Acre Feet or less than 0.05 CFS, but greater than 0

RUNOFF – STREAM GAGING STATION PEAK FLOW

PACOIMA CREEK FLUME *below* Pacoima Dam
 STATION NO. F118B-R

Season	Daily CFS			Total Runoff (Acre-feet)	Peak Inflow	
	Maximum	Minimum	Mean		Date	CFS
1997-98	1,020.0	0.0	43.8	31,700.0		
1998-99	38.0	0.0	2.9	2,100.0	Nov 19	196
1999-00	30.0	0.0	2.5	1,830.0	Jun 22	224
2000-01	54.0	0.0	3.7	2,710.0	Jun 05	188
2001-02	62.9	0.0	0.6	407.7	Oct 23	114
2002-03	78.0	0.0	3.7	2,646.8	May 22	365
2003-04	133.1	0.0	1.4	1,524.9	Oct 21	400
2004-05	856.0	0.0	45.2	32,700.0	Jan 09	987

M	Data Missing
*	Record incomplete
E	Estimate
N.D.	Not determined
**	Record not Computed
+	Less than 0.05 Acre Feet or less than 0.05 CFS, but greater than 0

RUNOFF – STREAM GAGING STATION PEAK FLOW

PACOIMA DIVERSION @ Branford Street
 STATION NO. F305-R

Season	Daily CFS			Total Runoff (Acre-feet)	Peak Inflow	
	Maximum	Minimum	Mean		Date	CFS
1953-54	116.0	0.0	1.4	975.9	Feb 13	508
1954-55	53.0	0.0	1.2	872.1	May 07	450
1955-56	194.0	0.0	1.6	1,122.8	Jan 26	622
1956-57	57.0	0.0	1.2	841.6	Jan 13	580
1957-58	326.0	0.0	8.9	6,390.1	Feb 04	1,380
1958-59	163.0	0.0	1.0	691.4	Jan 06	2,800
1959-60	46.0	0.0	1.0	689.7	Jan 11	666
1960-61	86.0	0.0	1.3	910.0	Nov 05	988
1961-62	104.0	0.0	1.4	988.2	Feb 11	2,960
1962-63	78.0	0.0	1.2	883.2	Apr 25	988
1963-64	150.0	0.0	1.5	1,116.1	Jan 22	2,550
1964-65	62.0	0.0	1.7	1,206.0	Apr 09	946
1965-66	614.0	0.0	8.6	6,144.2	Nov 17	4,800
1966-67	312.0	0.0	6.3	4,562.1	Jan 22	3,140
1967-68	N.D.					
1968-69	N.D.					
1969-70	N.D.					
1970-71	N.D.					
1971-72	N.D.					
1972-73	N.D.					
1973-74	N.D.					
1974-75	136.0	0.6	4.1	2,959.7	Mar 06	1,590
1975-76	107.0	0.7	2.8	2,039.2	Sep 05	2,580
1976-77	135.0	0.5	2.7	1,978.1	Jan 03	2,860
1977-78	3,200.0	0.6	704.1	42,305.5	Mar 04	3,730
1978-79	214.0	0.7	6.4	4,628.6	Mar 28	4,090
1979-80	1,180.0	0.6	8.3	17,147.5		
1980-81	162.0	0.0	3.0	2,145.5	Jan 29	3,790
1981-82	250.0	0.2	3.7	2,709.2	Mar 17	4,660
1982-83	4,280.0	0.0	60.8	44,045.2	Mar 01	10,900
1983-84	68.5	0.0	2.6	1,921.2	Oct 04	896
1984-85	65.0	0.1	1.5	1,103.6	Dec 18	1,270
1985-86	134.0	0.0	3.2	2,280.0	Jan 31	2,230

M Data Missing
 * Record incomplete
 E Estimate
 N.D. Not determined
 ** Record not Computed
 + Less than 0.05 Acre Feet or less than 0.05 CFS, but greater than 0

RUNOFF – STREAM GAGING STATION PEAK FLOW

PACOIMA DIVERSION @ Branford Street
STATION NO. F305-R

Season	Daily CFS			Total Runoff (Acre-feet)	Peak Inflow	
	Maximum	Minimum	Mean		Date	CFS
1986-87	141.0	0.0	2.9	2,118.9	Nov 17	2,260
1987-88	388.0	0.2	4.9	3,592.5	Oct 22	7,470
1988-89	772.0	0.7	3.6	2,639.4	Nov 14	740
1989-90	77.5	0.8	2.8	2,050.5	Feb 04	1,050
1990-91	M	M	M	M		M
1991-92	1,130.0	0.7	16.8	12,188.2	Feb 04	9,700
1992-93	1,420.0	0.5	55.3	40,071.1	Dec 07	6,470
1993-94	154.0	0.7	4.9	3,531.0	Dec 11	3,190
1994-95	1,250.0	0.0	18.8	13,621.3	Mar 10	7,250
1995-96	364.0	0.4	5.5	4,020.9	Feb 21	3,700
1996-97	225.0	1.3	7.0	5,052.3	Dec 22	4,700
1997-98	1,460.0	1.0	34.5	25,006.8	Feb 07	13,600
1998-99	108.0	1.8	6.4	4,622.3	Oct 29	3,350
1999-00*	169.0	2.3	6.1	4,390.0	Feb 20	3,740
2000-01	305.0	1.3	7.0	5,030.0	Jan 11	6,130
2001-02	167.0	0.9	3.2	2,316.2	Nov 24	5,895
2002-03	703.8	0.7	7.9	5,706.2	Dec 16	6,060
2004-05	3,440.0	0.1	57.1	41,400.0	Jan 09	10,100

M	Data Missing
*	Record incomplete
E	Estimate
N.D.	Not determined
**	Record not Computed
+	Less than 0.05 Acre Feet or less than 0.05 CFS, but greater than 0

RUNOFF – STREAM GAGING STATION PEAK FLOW

**PALLETT CREEK @ Valyermo Highway
STATION NO. F122-R**

Season	Daily CFS			Total Runoff (Acre-feet)	Peak Inflow	
	Maximum	Minimum	Mean		Date	CFS
1961-62	92.0	0.0	0.4	311.0	Feb 11	259
1962-63	0.7	0.0	0.3	190.0	Feb 09	3
1963-64	0.0	0.0	0.0	0.0		0
1964-65	0.3	0.0	+	1.0	Aug 12	16
1965-66	53.0	0.0	1.5	1,110	Dec 29	176
1966-67	3.8	0.3	0.8	618.0	Dec 06	7
1967-68	5.0	0.3	0.8	615.0	Nov 21	10
1968-69	770.0	0.3	7.8	5,640	Feb 25	1,480
1969-70	37.0	0.6	1.2	846.0	Feb 28	161
1970-71	183.0	0.1	1.0	744.0	Nov 29	839
1971-72	56.0	0.1	0.6	452.0	Dec 25	282
1972-73	6.5	+	0.2	156.0	Feb 11	24
1973-74	0.6	0.1	0.3	213.0	Dec 11	1
1974-75	1.6	0.0	0.2	140.0	Dec 04	10
1975-76	2.5	0.0	0.1	87.0	Sep 24	51
1976-77	2.5	0.0	0.1	39.0	May 08	10
1977-78	1,220	0.0	33.4	24,170	Feb 10	1,630
1978-79	156.0	0.6	5.9	4,312	Mar 29	191
1979-80	210.0	0.0	7.6	5,487	Feb 16	1,470
1980-81	15.8	0.0	1.7	1,193	Mar 01	60
1981-82	12.8	0.0	0.6	423.0	Apr 11	49
1982-83	454.0	0.0	11.9	8,626	Mar 01	831
1983-84	15.0	0.2	1.8	1,282	Jul 30	147
1984-85	11.6	0.0	0.4	292.0	Dec 27	14
1985-86	37.3	0.0	0.9	622.0	Jan 30	124
1986-87	1.5	0.0	0.4	264.0	Feb 25	3
1987-88	21.9	0.0	0.3	245.0		N.D.
1988-89	0.5	0.0	0.1	105.0	Dec 16	1
1989-90	0.0	0.0	0.0	0.0		0
1990-91	0.0	0.0	0.0	0.0		0
1991-92	240.0	0.0	4.9	3,570	Feb 12	670
1992-93	498.0	0.4	15.2	10,980	Feb 24	621
1993-94	2.0	0.2	1.0	645.0		N.D.

M Data Missing
 * Record incomplete
 E Estimate
 N.D. Not determined
 ** Record not Computed
 + Less than 0.05 Acre Feet or less than 0.05 CFS, but greater than 0

RUNOFF – STREAM GAGING STATION PEAK FLOW

**PALLETT CREEK @ Valyermo Highway
STATION NO. F122-R**

Season	Daily CFS			Total Runoff (Acre-feet)	Peak Inflow	
	Maximum	Minimum	Mean		Date	CFS
1994-95	133.0	0.0	6.8	4,934	Mar 11	579
1995-96	1.6	0.0	0.7	534.0	Jul 24	14
1996-97	0.4	0.0	0.1	90.0	Feb 08	0
1997-98	47.0	0.0	5.1	3,680	Feb 23	231
1998-99	2.6	0.1	0.9	655.0	Nov 28	6
1999-00	8.9	0.0	0.2	115.0	Feb 20	76
2000-01	3.8	0.0	0.7	513.0	Jan 02	45
2001-02	0.7	0.0	0.3	223.0	Nov 12	1
2002-03	0.0	0.0	0.2	0.0	Feb 12	65
2003-04	3.4	0.0	0.2	126.0	Feb 26	15
2004-05	300.0	0.0	12.7	9,160.0	Jan 09	1,330

M	Data Missing
*	Record incomplete
E	Estimate
N.D.	Not determined
**	Record not Computed
+	Less than 0.05 Acre Feet or less than 0.05 CFS, but greater than 0

RUNOFF – STREAM GAGING STATION PEAK FLOW

RIO HONDO *below* Lower Azusa Avenue
STATION NO. F192B-R

Season	Daily CFS			Total Runoff (Acre-feet)	Peak Inflow	
	Maximum	Minimum	Mean		Date	CFS
1931-32	*	*	*	12,710*		N.D.
1932-33	937.0	0.0	5.2	3,800	Jan 20	5,160
1933-34	2,700.0	0.0	11.2	8,110	Jan 01	5,860
1934-35	324.0	0.0	11.3	8,160	Apr 08	604
1935-36	114.0	0.0	4.7	3,400	Feb 11	391
1936-37	904.0	0.0	38.6	27,960	Feb 20	1,030
1937-38	10,500.0	0.0	241.0	174,300	Mar 02	31,000
1938-39	191.0	0.0	2.2	1,570	Jan 05	680
1939-40	224.0	0.0	5.0	3,640	Jan 07	288
1940-41	2,220.0	0.0	113.0	81,450	Mar 04	4,000
1941-42	214.0	0.1	2.7	1,980	Dec 10	254
1942-43	1,300.0	0.0	14.7	10,680	Jan 23	3,500
1943-44	502.0	0.3	15.9	11,600	Feb 22	1,080
1944-45	112.0	0.1	1.9	1,380	Nov 11	1,060
1945-46	267.0	0.0	18.0	13,030	Dec 23	483
1946-47	279.0	0.0	11.8	8,560	Nov 27	283
1947-48	570.0	0.0	7.2	5,250	Jun 07	584
1948-49	4.9	0.0	0.1	71.0	Feb 27	50
1949-50	24.0	0.0	0.3	203.0	Dec 18	124
1950-51	24.0	0.0	0.3	234.0	Jan 11	636
1951-52	753.0	0.0	8.7	6,340	Jan 16	2,180
1952-53	785.0	0.0	9.0	6,550	Nov 15	944
1953-54	654.0	0.0	14.9	10,800	Feb 13	1,740
1954-55	184.0	0.0	2.0	1,460	Jan 18	2,340
1955-56	1,020.0	0.0	4.0	2,940	Jan 26	3,030
1956-57	390.0	0.0	5.9	4,280	Feb 23	2,270
1957-58	735.0	0.0	32.6	23,610*	Feb 19	1,530
1958-59	218.0	0.0	1.8	1,290*	Jan 06	1,530
1959-60	30.0	0.0	0.4	303.0	Jan 12	185
1960-61	16.0	0.0	0.2	131.0	Nov 05	132
1961-62	630.0	0.0	13.1	9,460	Feb 12	856
1962-63	28.0	0.0	0.3	221.0	Mar 16	182
1963-64	22.0	0.0	0.3	187.0	Jan 21	296

M Data Missing
 * Record incomplete
 E Estimate
 N.D. Not determined
 ** Record not Computed
 + Less than 0.05 Acre Feet or less than 0.05 CFS, but greater than 0

RUNOFF – STREAM GAGING STATION PEAK FLOW

RIO HONDO *below* Lower Azusa Avenue
STATION NO. F192B-R

Season	Daily CFS			Total Runoff (Acre-feet)	Peak Inflow	
	Maximum	Minimum	Mean		Date	CFS
1964-65	32.0	0.0	0.5	340.0	Apr 09	397
1965-66	261.0	0.0	7.7	5,570	Nov 24	1,440
1966-67	175.0	0.0	14.7	10,620	Jan 22	438
1967-68	61.0	0.0	0.8	576.0	Mar 08	714
1968-69	4,380.0	0.0	100.0	72,550	Jan 25	10,600
1969-70	251.0	0.0	5.0	3,580	Mar 04	1,160
1970-71	95.0	0.0	4.2	3,060	Nov 29	446
1971-72	5.0	0.0	0.3	210.0	Dec 24	266
1972-73	270.0	0.0	14.5	10,520	Feb 27	2,390
1973-74	144.0	0.0	5.1	3,720	Jan 07	196
1974-75	54.0	+	0.7	538.0	Dec 04	643
1975-76	34.0	0.0	0.5	345.0	Sep 11	635
1976-77	22.5	0.0	0.5	393.0	May 09	230
1977-78	1,910.0	0.0	84.7	61,288	Mar 01	3,210
1978-79	163.0	0.0	19.7	14,291	Feb 21	311
1979-80	1,490.0	0.0	77.5	55,368	Feb 16	3,050
1980-81	237.0	0.0	17.8	13,060	Dec 16	3,070
1981-82	196.0	0.0	11.5	8,293	Sep 23	342
1982-83	350.0	0.0	66.3	48,030	Apr 18	350
1983-84	251.0	0.0	15.5	11,194	Nov 01	303
1984-85	12.5	0.0	0.2	175.0	Nov 08	216
1985-86	318.0	0.0	36.7	26,570	Feb 15	357
1986-87	24.7	0.0	0.2	171.0	Jan 04	296
1987-88	223.0	0.0	5.9	4,290	Dec 04	350
1988-89	12.7	0.0	2.8	173.0	Dec 15	109
1989-90	46.2	0.0	0.4	259.0	Feb 17	236
1990-91	388.0	0.0	11.3	7,831	Aug 01	356
1991-92	809.0	0.0	25.4	18,429	Feb 13	3,860
1992-93	1,010.0	0.0	65.6	47,470	Feb 19	3,190
1993-94	47.0	0.0	2.4	1,748	Dec 14	272
1994-95	803.0	0.0	33.8	24,500	Mar 11	3,210
1995-96	665.0	0.0	29.1	21,100	Feb 21	1,400
1996-97	250.0	0.0	15.8	11,400	Jan 26	634

M Data Missing
 * Record incomplete
 E Estimate
 N.D. Not determined
 ** Record not Computed
 + Less than 0.05 Acre Feet or less than 0.05 CFS, but greater than 0

RUNOFF – STREAM GAGING STATION PEAK FLOW

RIO HONDO *below* Lower Azusa Avenue
 STATION NO. F192B-R

Season	Daily CFS			Total Runoff (Acre-feet)	Peak Inflow	
	Maximum	Minimum	Mean		Date	CFS
1997-98	1,270.0	0.0	35.4	25,610	Feb 07	3,670
1998-99	125.0	0.0	3.2	2,290	Nov 08	348
1999-00	33.0	0.0	0.6	455.0	Apr 17	348
2000-01	37.0	0.0	0.5	391.0	Jan 11	318
2001-02	103.6	0.0	2.6	1,794.4	Nov 24	1,035
2002-03	81.1	0.0	1.4	980.5	Dec 16	565
2003-04	61.7	0.0	1.5	1,120.8	Feb 26	437
2004-05	1,310.0	0.0	88.0	63,700.0	Feb 19	4,350

M	Data Missing
*	Record incomplete
E	Estimate
N.D.	Not determined
**	Record not Computed
+	Less than 0.05 Acre Feet or less than 0.05 CFS, but greater than 0

RUNOFF – STREAM GAGING STATION PEAK FLOW

RIO HONDO *above* Stuart and Gray Road
STATION NO. F45B-R

Season	Daily CFS			Total Runoff (Acre-feet)	Peak Inflow	
	Maximum	Minimum	Mean		Date	CFS
1927-28	*	0.0	*	269*	Mar 06	4*
1928-29	248.0	0.0	3.4	2,460	Apr 04	912
1929-30	285.0	0.0	2.8	2,000	Mar 15	743
1930-31	335.0	0.0	2.6	1,900	Feb 04	841
1931-32	3,440.0	0.0	27.4	19,920	Feb 09	4,610
1932-33	971.0	0.0	6.2	4,450	Jan 19	2,730
1933-34	5,810.0	0.0	23.5	17,030	Jan 01	16,000
1934-35	667.0	0.0	8.3	6,000	Apr 08	3,450
1935-36	472.0	0.0	5.8	4,220	Feb 12	3,160
1936-37	1,460.0	0.0	37.1	26,870	Feb 14	4,800
1937-38	12,700.0	0.0	238.0	172,100	Mar 03	24,400E
1938-39	910.0	0.0	13.2	9,540	Dec 18	5,260
1939-40	442.0	0.0	6.7	4,850	Jan 08	1,930
1940-41	3,690.0	0.0	129.0	93,260	Mar 04	6,420
1941-42	564.0	0.0	9.3	6,730	Dec 10	4,240
1942-43	4,660.0	0.0	57.9	41,910	Jan 23	11,800
1943-44	2,570.0E	0.0	36.9	26,820	Feb 22	6,670
1944-45	492.0	0.0	11.7	8,460	Nov 11	4,500
1945-46	1,130.0	0.0	15.6	11,280	Dec 22	4,270
1946-47	923.0	0.0	22.1	16,030	Nov 13	5,950
1947-48	425.0	0.0	4.8	3,510	Mar 24	2,880
1948-49	268.0	0.0	2.1	1,490	Jan 20	713
1949-50	402.0	0.0	3.9	2,840	Jan 08	1,790
1950-51	135.0	0.0	1.1	781.0	Jan 29	1,080
1951-52	2,430.0	0.0	35.9	26,040	Jan 16	9,040
1952-53	571.0	0.0	4.8	3,450	Nov 15	4,600
1953-54	1,780.0	0.0	14.9	10,760	Feb 13	8,860
1954-55	753.0	0.0	11.1	8,000	Jan 18	4,160
1955-56	4,910.0	0.0	20.0	14,540	Jan 26	11,600
1956-57	967.0	0.0	6.4	4,640	Feb 23	6,560
1957-58	2,230.0	0.0	41.8	30,260	Feb 19	10,800
1958-59	915.0	0.0	5.4	3,900	Jan 06	11,000
1959-60	219.0	0.0	3.3	2,370	Jan 12	3,030

M Data Missing
 * Record incomplete
 E Estimate
 N.D. Not determined
 ** Record not Computed
 + Less than 0.05 Acre Feet or less than 0.05 CFS, but greater than 0

RUNOFF – STREAM GAGING STATION PEAK FLOW

**RIO HONDO *above* Stuart and Gray Road
STATION NO. F45B-R**

Season	Daily CFS			Total Runoff (Acre-feet)	Peak Inflow	
	Maximum	Minimum	Mean		Date	CFS
1960-61	115.0	0.0	1.2	831.0	Nov 26	2,090
1961-62	2,080.0	0.0	31.4	22,780	Feb 19	7,100
1962-63	620.0	0.0	4.5	3,280	Feb 09	4,240
1963-64	190.0	0.0	2.4	1,730	Jan 22	2,060
1964-65	1,130.0	0.0	7.3	5,310	Apr 09	8,780
1965-66	4,810.0	+	95.8	69,390	Dec 29	19,000
1966-67	5,210.0	+	26.6	21,530	Jan 24	20,100
1967-68	4,300.0	+	25.3	18,360	Mar 08	17,900
1968-69	23,100.0	+	424.0	307,100	Jan 25	46,900
1969-70	964.0	+	10.0	7,220	Feb 28	7,540
1970-71	2,430.0	+	13.1	9,520	Nov 29	9,350
1971-72	2,420.0	+	6.0	4,409	Dec 24	11,400
1972-73	2,550.0	+	21.9	15,860	Feb 11	15,180
1973-74	3,360.0	+	15.4	11,180	Jan 07	11,710
1974-75	303.0	+	9.5	6,910	Dec 04	13,250
1975-76	920.0	+	9.4	6,660	Sep 11	9,820
1976-77	619.0	0.0	6.9	5,020	Oct 23	2,890
1977-78	13,800.0	+	270.0	195,463	Mar 01	32,000
1978-79	4,600.0	0.5	46.5	33,662	Mar 27	25,600
1979-80	16,000.0	0.5	313.4	221,877	Feb 16	48,100
1980-81	2,050.0	0.0	13.2	9,539	Mar 01	13,500
1981-82	4,410.0	0.0	28.7	20,768	Nov 28	17,100
1982-83	20,600.0	0.0	236.5	172,592	Mar 01	38,400
1983-84	2,600.0	0.0	17.2	12,502	Oct 01	9,480
1984-85	1,400.0	0.0	14.1	10,216	Feb 09	7,130
1985-86	4,500.0	0.0	*	*	Feb 15	19,400
1986-87	1,730.0	0.1	8.6	6,256	Jan 04	10,000
1987-88	2,660.0	0.0	16.7	12,111	Jan 17	11,300
1988-89	1,280.0	0.1	12.4	8,967	Dec 21	6,050
1989-90	5,030.0	0.1	16.9	12,222	Feb 17	17,500
1990-91	3,880.0	0.0	34.1	24,720	Feb 27	19,600
1991-92	6,930.0	0.1	56.7	41,160	Feb 12	32,000
1992-93	11,200.0	0.0	386.0	279,400	Feb 18	32,800

M Data Missing
 * Record incomplete
 E Estimate
 N.D. Not determined
 ** Record not Computed
 + Less than 0.05 Acre Feet or less than 0.05 CFS, but greater than 0

RUNOFF – STREAM GAGING STATION PEAK FLOW

RIO HONDO *above* Stuart and Gray Road
STATION NO. F45B-R

Season	Daily CFS			Total Runoff (Acre-feet)	Peak Inflow	
	Maximum	Minimum	Mean		Date	CFS
1993-94	260.0	0.0	10.0	7,222	Mar 19	4,240
1994-95	10,500.0	0.1	164.0	119,100	Jan 10	37,400
1995-96	6,320.0	0.0	40.3	29,240	Feb 20	20,200
1996-97	3,420.0	0.1	30.7	22,230	Jan 25	13,300
1997-98	9,700.0	0.0	178.0	129,200	Feb 08	34,700
1998-99	417.0	0.0	3.9	2,850	Nov 08	2,360
1999-00	2,960.0	+	*	*	Feb 23	14,600
2000-01	Under	Construct	since	May 2000.		
2001-02	*	*	*	*	Mar 17	421
2002-03	4,490.1	0.0	49.9	36,130.1	Sep 29	52
2003-04	4,756.1	0.0	20.0	14,409.5	Feb 26	25,100
2004-05	22,400.0	0.0	424.0	307,000.0	Jan 09	41,600

M	Data Missing
*	Record incomplete
E	Estimate
N.D.	Not determined
**	Record not Computed
+	Less than 0.05 Acre Feet or less than 0.05 CFS, but greater than 0

RUNOFF – STREAM GAGING STATION PEAK FLOW

**RIO HONDO BYPASS - Zone One Ditch
STATION NO. F313B-R**

Season	Daily CFS			Total Runoff (Acre-feet)	Peak Inflow	
	Maximum	Minimum	Mean		Date	CFS
1953-54	138.0	0.0	12.0	7,232.5		
1954-55	169.0	0.0	19.6	9,750.0		
1955-56	172.0	0.0	23.5	14,983.5		
1956-57	168.0	0.0	27.5	19,964.8		
1957-58	175.0	0.0	18.4	13,371.4		
1958-59	N.D.					
1959-60	N.D.					
1960-61	N.D.					
1961-62	153.0	0.0	44.3	31,825.0		
1962-63	137.0	0.0	12.5	9,121.4		
1963-64	N.D.					
1964-65	N.D.					
1965-66	N.D.					
1966-67	N.D.					
1967-68	N.D.					
1968-69	N.D.					
1969-70	N.D.					
1970-71	N.D.					
1971-72	N.D.					
1972-73	N.D.					
1973-74	N.D.					
1974-75	145.0	0.0	46.8	33,879.9		
1975-76	169.0	0.0	27.1	19,669.7		
1976-77	138.0	0.0	7.8	5,640.8	Jan 05	182
1977-78	165.0	0.0	33.5	24,287.8	Sep 05	188
1978-79	184.0	0.0	63.6	46,015.3	Aug 04	187
1979-80	165.0	0.0	24.1	17,523.8	Oct 20	188
1980-81	134.0	0.0	67.9	49,193.1	Jan 11	185
1981-82	127.0	0.0	31.4	22,760.1	Oct 01	161
1982-83	91.6	0.0	7.9	5,750.1	Jan 16	93
1983-84	84.9	0.0	14.4	4,341.2	Dec 16	110
1984-85	150.0	0.0	52.5	38,014.2	Mar 27	185
1985-86	183.0	0.0	16.5	11,946.2	Jan 25	190

M Data Missing
 * Record incomplete
 E Estimate
 N.D. Not determined
 ** Record not Computed
 + Less than 0.05 Acre Feet or less than 0.05 CFS, but greater than 0

RUNOFF – STREAM GAGING STATION PEAK FLOW

**RIO HONDO BYPASS - Zone One Ditch
STATION NO. F313B-R**

Season	Daily CFS			Total Runoff (Acre-feet)	Peak Inflow	
	Maximum	Minimum	Mean		Date	CFS
1986-87	177.0	0.0	67.3	48,538.7	Mar 18	233
1987-88	178.0	0.0	40.3	29,307.8	May 24	184
1988-89	192.0	0.0	80.4	58,223.0	Jan 19	201
1989-90	193.0	0.0	78.4	56,728.9	Jan 25	271
1990-91	174.0	0.0	27.8	20,195.3	Oct 01	189
1991-92	116.0	0.0	24.3	17,613.2	Feb 12	360
1992-93	165.0	0.0	29.3	21,194.8	Feb 18	355
1993-94	155.0	1.3	48.6	35,157.8	Jan 25	203
1994-95	136.0	0.0	15.5	11,241.5	Jan 10	359
1995-96	111.0	0.0	30.6	22,231.9	Feb 20	318
1996-97*	184.0	0.0	34.6	25,060.8	Jun 13	200
1997-98	200.0	0.0	31.6	22,864.6	May 05	214
1998-99	122.0	0.0	35.7	25,854.0	Jan 27	216
1999-00*	182.0	0.0	51.8	37,608.9	May 11	192
2000-01	159.0	0.0	23.7	17,130.0	Apr 07	178
2001-02	174.3	0.0	68.0	49,258.9	Dec 19	198
2002-03	226.5	0.0	70.2	50,861.9	Dec 16	288
2003-04	192.4	0.0	36.0	27,686.0	Feb 04	251
2004-05	192.0	0.0	26.1	18,900.0	Nov 21	240

M	Data Missing
*	Record incomplete
E	Estimate
N.D.	Not determined
**	Record not Computed
+	Less than 0.05 Acre Feet or less than 0.05 CFS, but greater than 0

RUNOFF – STREAM GAGING STATION PEAK FLOW

RUBIO DIVERSION CHANNEL *below* Gooseberry Inlet
STATION NO. F338-R

Season	Daily CFS			Total Runoff (Acre-feet)	Peak Inflow	
	Maximum	Minimum	Mean		Date	CFS
1959-60	0.8	0.0	0.0	9.0	Jan 11	9
1960-61	0.8	0.0	0.0	6.0	Jan 26	5
1961-62	7.9	0.0	0.1	62.0	Feb 11	22
1962-63	2.6	0.0	0.0	20.0	Feb 10	32
1963-64	0.8	0.0	0.0	14.0	Jan 21	8
1964-65	1.0	0.0	0.0	30.0	Nov 09	21
1965-66	18.3	0.0	0.3	206.0	Dec 29	63
1966-67	12.5	0.0	0.2	127.0	Jan 22	43
1967-68	18.2	0.0	0.2	112.0	Nov 19	267
1968-69	254.0	0.0	4.2	3,050	Jan 25	880
1969-70	11.7	0.0	0.4	272.0	Feb 28	146
1970-71	36.0	0.0	0.6	413.0	Nov 29	266
1971-72	M	M	M	M		M
1972-73	58.0	+	1.5	1,098	Jan 18	114
1973-74	22.6	+	2.8	1,994	Nov 18	76
1974-75	11.0	+	0.9	627.0	Mar 06	85
1975-76	13.0	0.0	0.6	431.0	Feb 09	88
1976-77	4.8	0.0	0.5	384.0	May 09	47
1977-78	76.3	0.0	3.0	2,141	Mar 04	276
1978-79	5.0	0.0	0.7	494.0	Mar 28	71
1979-80	108.0	0.2	8.9	6,438	Feb 19	1,400
1980-81	13.3	0.4	3.6	2,598	May 02	115
1981-82	20.7	0.0	2.1	1,519	Apr 01	106
1982-83	150.0	0.2	3.1	2,391		296
1983-84	16.5	0.0	1.0	740.0	Oct 04	184
1984-85	9.8	0.0	0.5	332.0	Jan 18	31
1985-86	8.2	0.0	7.8	463.0		N.D.
1986-87	NO RECORD					
1987-88	9.0	0.0	0.7	526.0		N.D.
1988-89	6.0	0.0	0.9	631.0	Mar 25	6
1989-90	5.2	0.0	0.3	232.0		N.D.
1990-91	16.3	0.0	0.3	249.0	Mar 01	16
1991-92	45.4	0.0	2.2	1,592	Feb 10	191

M Data Missing
 * Record incomplete
 E Estimate
 N.D. Not determined
 ** Record not Computed
 + Less than 0.05 Acre Feet or less than 0.05 CFS, but greater than 0

RUNOFF – STREAM GAGING STATION PEAK FLOW

RUBIO DIVERSION CHANNEL *below* Gooseberry Inlet
 STATION NO. F338-R

Season	Daily CFS			Total Runoff (Acre-feet)	Peak Inflow	
	Maximum	Minimum	Mean		Date	CFS
1992-93	*	*	*	*		*
1993-94	*	*	*	*		*
1994-95	71.6	0.0	2.8	2,056	Feb 14	170
1995-96	41.2	0.0	1.6	1,139	Feb 20	131
1996-97	5.8	0.0	0.8	601.0	Sep 25	31
1997-98	9.8	0.0	1.5	1,050	Mar 02	106
1998-99	27.0	0.0	1.4	1,030	Mar 15	179
1999-00	6.0	0.2	0.5	360.0	Feb 16	94
2000-01	37.0	0.0	1.1	822.0	Jan 11	179
2001-02	3.2	0.0	0.4	202.6	Dec 20	89
2002-03	4.3	0.0	0.1	93.3	Mar 15	49
2003-04	5.9	0.0	0.1	80.0	Feb 26	55
2004-05	68.0	0.0	1.5	1,100.0	Jan 09	270

M	Data Missing
*	Record incomplete
E	Estimate
N.D.	Not determined
**	Record not Computed
+	Less than 0.05 Acre Feet or less than 0.05 CFS, but greater than 0

RUNOFF – STREAM GAGING STATION PEAK FLOW

RUBIO WASH @ Glendon Way
STATION NO. F82C-R

Season	Daily CFS			Total Runoff (Acre-feet)	Peak Inflow	
	Maximum	Minimum	Mean		Date	CFS
1930-31	107.0	0.0	1.5	1,110	Feb 03	1,690
1931-32	124.0	0.0	2.1	1,490	Nov 27	798
1932-33	234.0	0.0	1.5	1,110	Jan 16	1,510
1933-34	684.0	0.0	3.6	2,580	Dec 31	2,070
1934-35	134.0	0.0	2.4	1,770	Oct 17	1,680
1935-36	81.0	0.0	1.8	1,280	Feb 22	1,370
1936-37	186.0	0.0	3.9	2,800	Dec 27	1,180
1937-38	802.0	0.0	5.8	4,180	Mar 02	2,400E
1938-39	250.0	0.0	3.3	2,370	Jan 05	1,720
1939-40	122.0	0.0	2.4	1,270	Jan 07	1,000
1940-41	200.0	0.0	8.1	5,890	Mar 03	1,940
1941-42	130.0	0.0	2.1	1,530	Dec 10	1,200
1942-43	697.0	0.0	6.2	4,520	Mar 04	2,780
1943-44	393.0	0.0	4.4	3,190	Feb 22	1,930
1944-45	152.0	0.0	2.1	1,540	Nov 11	1,780
1945-46	244.0	0.0	2.5	1,840	Dec 22	1,630
1946-47	233.0	0.0	3.2	2,300	Nov 13	2,650
1947-48	91.0	0.0	1.5	1,080	Mar 24	2,090
1948-49	59.0	0.0	1.5	1,080	Oct 30	530
1949-50	161.0	0.0	2.3	1,690	Feb 06	1,060
1950-51	80.0	0.0	1.4	1,010	Jan 11	2,290
1951-52	335.0	0.0	7.3	5,300	Jan 16	3,020
1952-53	133.0	0.0	2.0	1,460	Nov 15	2,200
1953-54	288.0	+	3.4	2,490	Jan 19	2,310
1954-55	126.0	+	2.6	1,870	Jan 18	1,290
1955-56	639.0	0.0	4.0	2,880	Jan 26	1,970
1956-57	199.0	+	3.2	2,290	Feb 23	2,980
1957-58	286.0	0.1	7.7	5,610	Feb 19	2,740
1958-59	218.0	0.2	2.8	2,030	Jan 06	2,780
1959-60	135.0	0.2	2.5	1,820	Jan 11	985
1960-61	117.0	0.2	1.8	1,270	Nov 06	902
1961-62	281.0	0.1	5.7	4,120	Jan 20	1,200
1962-63	246.0	0.1	2.4	1,760	Feb 09	1,180

M Data Missing
 * Record incomplete
 E Estimate
 N.D. Not determined
 ** Record not Computed
 + Less than 0.05 Acre Feet or less than 0.05 CFS, but greater than 0

RUNOFF – STREAM GAGING STATION PEAK FLOW

RUBIO WASH @ Glendon Way
STATION NO. F82C-R

Season	Daily CFS			Total Runoff (Acre-feet)	Peak Inflow	
	Maximum	Minimum	Mean		Date	CFS
1963-64	136.0	0.2	2.6	1,870	Jan 21	1,570
1964-65	164.0	0.1	2.8	2,030	Apr 09	2,040
1965-66	466.0	0.1	6.4	4,650	Nov 24	2,300
1966-67	344.0	0.2	7.2	5,220	Dec 03	2,040
1967-68	343.0	0.2	4.0	2,930	Mar 08	2,460
1968-69	712.0	0.2	11.4	8,220	Jan 25	2,890
1969-70	**	**	**	**	Feb 28	2,540
1970-71	**	**	**	**	Nov 29	3,700
1971-72	**	**	**	**	Dec 24	1,240
1972-73	410.0	0.0	7.0*	5,041*	Feb 11	3,166
1973-74	460.0	0.2	5.5	3,950	Jan 07	1,985
1974-75	328.0	0.3	4.5	3,240	Dec 04	3,180
1975-76	373.0	0.2	4.1	2,920	Sep 10	2,070
1976-77	180.0	0.1	4.4	3,187	Oct 23	2,610
1977-78	531.0	0.0	12.9	9,340	Feb 10	*
1978-79	176.0	0.0	8.4	6,056	Feb 21	2,680
1979-80	781.0	0.0	11.8	8,372	Jan 29	4,594
1980-81	205.0	0.0	4.3	3,108	Mar 01	1,754
1981-82	186.0	0.0	4.0	2,890	Mar 17	1,650
1982-83	620.0	0.1	12.6	9,079	Mar 02	4,560
1983-84	165.0	0.1	2.8	1,976	Dec 25	1,680
1984-85	154.0	0.1	3.5	2,543	Dec 19	1,610
1985-86	212.0	0.1	6.1	4,445	Mar 08	2,090
1986-87	153.0	0.2	3.6	2,580	Oct 02	2,790
1987-88	246.0	0.0	4.3	3,113	Dec 04	3,620
1988-89	123.0	0.1	2.9	2,122	Dec 15	783
1989-90	341.0	0.3	4.5	3,249	Jan 16	1,560
1990-91	355.0	0.0	4.9	3,513	Mar 01	1,840
1991-92	287.0	0.0	5.7	4,115	Feb 12	2,540
1992-93	323.0	0.0	7.9	5,726	Jan 14	3,660
1993-94	105.0	0.0	2.3	1,640	Mar 24	1,970
1994-95	707.0	0.0	9.4	6,777	Mar 11	4,610
1995-96	656.0	0.0	7.5	5,464	Jan 31	5,010

M Data Missing
 * Record incomplete
 E Estimate
 N.D. Not determined
 ** Record not Computed
 + Less than 0.05 Acre Feet or less than 0.05 CFS, but greater than 0

RUNOFF – STREAM GAGING STATION PEAK FLOW

RUBIO WASH @ Glendon Way
 STATION NO. F82C-R

Season	Daily CFS			Total Runoff (Acre-feet)	Peak Inflow	
	Maximum	Minimum	Mean		Date	CFS
1996-97	156.0	0.0	3.9	2,790	Jan 15	1,180
1997-98	438.0	0.0	9.1	6,590	Feb 06	4,030
1998-99	79.0	0.0	2.2	1,560	Nov 28	2,430
1999-00	218.0	0.1	5.6	4,030	Feb 21	2,710
2000-01	249.0	0.6	5.7	4,120	Jan 11	1,670
2001-02	186.3	0.4	3.0	2,187.3	Nov 24	3,553
2002-03	0.0	0.0	7.1	0.0	Mar 16	2,550
2003-04	335.6	0.0	3.9	2,810.8	Feb 26	2,970
2004-05	466.0	0.1	11.3	8,170.0	Oct 20	3,470

M Data Missing
 * Record incomplete
 E Estimate
 N.D. Not determined
 ** Record not Computed
 + Less than 0.05 Acre Feet or less than 0.05 CFS, but greater than 0

RUNOFF – STREAM GAGING STATION PEAK FLOW

SAN DIMAS CREEK *below* San Dimas Dam
 STATION NO. F303-R

Season	Daily CFS			Total Runoff (Acre-feet)	Peak Inflow	
	Maximum	Minimum	Mean		Date	CFS
1951-52	171.0	0.0	6.4	4,661.2	Mar 16	292
1952-53	6.1	0.1	1.5	1,115.5	Jul 06	7
1953-54	61.0	0.0	2.1	1,539.0	Jan 25	161
1954-55	6.1	0.0	0.8	563.3	Nov 16	175
1955-56	40.0	0.0	1.1	816.1	Jan 26	54
1956-57	5.0	0.0	0.6	435.2		5
1957-58	220.0	0.0	9.1	6,525.2	Apr 03	270
1958-59	19.0	0.0	1.8	1,260.9	Feb 18	20
1959-60	5.9	0.0	0.7	483.5	Aug 25	6
1960-61	17.1	0.0	0.4	292.3	Aug 01	20
1961-62	136.0	0.0	3.9	2,728.0	Dec 03	215
1962-63	83.0	0.0	1.5	1,104.3	Feb 09	404
1963-64	24.0	0.0	1.0	752.3		
1964-65	49.0	0.1	1.7	1,195.6	Apr 09	133
1965-66	242.0	0.1	8.8	6,332.0	Nov 23	500
1966-67	516.0	0.0	15.9	11,533.9	Dec 06	1,190
1967-68	N.D.					
1968-69	N.D.					
1969-70	N.D.					
1970-71	N.D.					
1971-72	N.D.					
1972-73	N.D.					
1973-74	N.D.					
1974-75	18.0	0.2	2.2	1,565.2	May 13	36
1975-76	9.3	0.1	1.3	926.3	Mar 22	14
1976-77	26.0	0.0	1.6	1,135.1	Apr 06	58
1977-78	703.0	0.0	0.8	18,359.4	Mar 04	938
1978-79	227.0	0.2	0.3	7,354.5	Mar 28	102
1979-80	894.0	0.1	0.0	0.0		
1980-81	26.1	0.3	4.4	3,216.6	Dec 01	27
1981-82	100.0	0.1	5.1	3,700.6	Mar 17	201
1982-83	5,840.0	0.4	24.0	17,376.2	Mar 01	883
1983-84	37.0	0.2	6.0	4,322.4	Feb 28	53

M Data Missing
 * Record incomplete
 E Estimate
 N.D. Not determined
 ** Record not Computed
 + Less than 0.05 Acre Feet or less than 0.05 CFS, but greater than 0

RUNOFF – STREAM GAGING STATION PEAK FLOW

SAN DIMAS CREEK *below* San Dimas Dam
STATION NO. F303-R

Season	Daily CFS			Total Runoff (Acre-feet)	Peak Inflow	
	Maximum	Minimum	Mean		Date	CFS
1984-85	48.2	0.4	3.5	2,561.1	Jun 04	51
1985-86	56.3	0.0	3.3	2,415.3		
1986-87	9.3	0.0	0.9	616.1	Jan 04	23
1987-88	31.0	0.4	1.7	1,253.2		
1988-89	98.7	0.1	2.0	1,400.9	May 10	248
1989-90	50.2	0.0	0.5	365.0	Jun 08	198
1990-91	20.1	0.1	3.2	2,352.0	Oct 23	229
1991-92	136.0	0.0	5.3	3,830.5	Mar 24	150
1992-93	587.0	0.3	33.7	24,415.1	Jan 18	651
1993-94	22.2	0.3	3.3	2,389.3	Oct 27	130
1994-95	177.0	0.4	14.0	10,127.2	Mar 06	248
1995-96	73.1	0.5	5.7	4,111.1	Feb 22	78
1996-97	100.0	0.2	4.1	2,976.6	Apr 01	107
1997-98	271.0	0.4	16.3	11,836.8	Feb 24	452
1998-99	64.0	0.0	5.1	3,723.6	May 20	104
1999-00*	7.4	0.0	0.6	457.4	Jun 26	36
2000-01	41.0	0.0	2.2	1,570.0	May 15	293
2001-02	22.7	0.0	0.6	464.9	May 15	242
2002-03	151.6	0.1	3.3	2,371.4	Mar 16	771
2003-04	40.4	0.2	2.2	1,610.1	Dec 25	169
2004-05	1,110.0	0.0	32.9	23,700.0	Jan 11	1,410

M	Data Missing
*	Record incomplete
E	Estimate
N.D.	Not determined
**	Record not Computed
+	Less than 0.05 Acre Feet or less than 0.05 CFS, but greater than 0

RUNOFF – STREAM GAGING STATION PEAK FLOW

SAN DIMAS WASH *below* Puddingstone Diversion
 STATION NO. F218-R

Season	Daily CFS			Total Runoff (Acre-feet)	Peak Inflow	
	Maximum	Minimum	Mean		Date	CFS
1945-46	22.0	0.0	0.3	246.7	Apr 04	42
1946-47	9.8	0.0	0.7	483.6	Dec 27	10
1947-48	N.D.					
1948-49	N.D.					
1949-50	N.D.					
1950-51	N.D.					
1951-52	23.0	0.0	1.1	781.1	Mar 17	23
1952-53	N.D.					
1953-54	12.2	0.0	0.3	244.0	Feb 14	12
1954-55	N.D.					
1955-56	8.4	0.0	0.1	92.6	Jan 27	16
1956-57	N.D.					
1957-58	12.0	0.0	1.6	1,112.5	Mar 28	19
1958-59	5.4	0.0	0.1	48.8	Feb 12	7
1959-60	N.D.					
1960-61	14.4	0.0	0.1	72.4	Jul 21	15
1961-62	3.4	0.0	0.1	50.8	Apr 06	43
1962-63	9.7	0.0	0.4	286.0	Oct 25	16
1963-64	16.9	0.0	0.1	67.2	Apr 10	46
1964-65	18.5	0.0	0.5	334.0	May 11	35
1965-66	34.0	0.0	4.6	3,329.7	Jan 04	35
1966-67	11.8	0.0	2.9	2,097.7	Feb 13	44
1967-68	N.D.					
1968-69	N.D.					
1969-70	N.D.					
1970-71	N.D.					
1971-72	N.D.					
1972-73	N.D.					
1973-74	N.D.					
1974-75	18.5	0.0	1.1	785.9	Feb 18	30
1975-76	10.2	0.0	0.5	332.8	Mar 01	11
1976-77	16.8	0.0	0.0	0.0		
1977-78	31.6	0.0	9.1	6,621.4	Apr 28	40

M Data Missing
 * Record incomplete
 E Estimate
 N.D. Not determined
 ** Record not Computed
 + Less than 0.05 Acre Feet or less than 0.05 CFS, but greater than 0

RUNOFF – STREAM GAGING STATION PEAK FLOW

SAN DIMAS WASH *below* Puddingstone Diversion
STATION NO. F218-R

Season	Daily CFS			Total Runoff (Acre-feet)	Peak Inflow	
	Maximum	Minimum	Mean		Date	CFS
1978-79	18.0	0.0	0.2	4,827.2	Dec 19	22
1979-80	26.5	0.0	6.9	4,966.2	Mar 29	28
1980-81	20.3	0.0	2.6	1,879.3	Feb 04	25
1981-82	27.0	0.0	3.4	2,445.6	Dec 09	40
1982-83	35.4	0.0	0.4	8,301.6	May 12	37
1983-84	22.3	0.0	0.1	2,884.2		
1984-85	21.0	0.0	1.8	1,281.9	Dec 27	22
1985-86	42.7	0.0	1.4	994.7	Mar 17	43
1986-87	6.9	0.0	0.5	702.5	Jan 05	16
1987-88	11.9	0.0	1.0	774.3	Jul 05	16
1988-89	13.8	0.0	1.0	691.2	Feb 04	16
1989-90	14.1	0.0	0.2	126.5	Jun 11	20
1990-91	19.1	0.0	2.8	2,012.0	Mar 06	21
1991-92	14.6	0.0	3.3	2,375.0	Apr 20	18
1992-93	19.1	0.0	4.5	3,225.0	Jan 11	27
1993-94	14.7	0.0	2.1	1,497.0	Feb 22	15
1994-95	21.1	0.0	7.7	5,554.0	Mar 30	23
1995-96	33.7	0.0	3.5	2,573.0	Feb 21	40
1996-97	35.0	0.0	2.7	1,980.0	Jan 28	36
1997-98	33.0	0.0	5.5	3,960.0	Feb 08	37
1998-99	25.0	0.0	1.8	1,290.0	Apr 22	30
1999-00	35.0	0.0	0.8	553.0	Jun 14	39
2000-01	27.0	0.0	1.1	819.0	Jun 03	29
2001-02	7.8	0.0	0.1	67.2	Jun 11	17
2002-03	19.2	0.0	0.8	553.9	Mar 16	38
2003-04	23.1	0.0	1.6	1,144.6	Dec 25	28
2004-05	29.0	0.0	6.7	4,830.0	Nov 02	35

M	Data Missing
*	Record incomplete
E	Estimate
N.D.	Not determined
**	Record not Computed
+	Less than 0.05 Acre Feet or less than 0.05 CFS, but greater than 0

RUNOFF – STREAM GAGING STATION PEAK FLOW

SAN GABRIEL RIVER *below* Santa Fe Dam
STATION NO. E281-R

Season	Daily CFS			Total Runoff (Acre-feet)	Peak Inflow	
	Maximum	Minimum	Mean		Date	CFS
1942-43	6,700.0	0.0	242.0	175,100.0	Jan 23	8,000
1943-44	2,550.0	0.0	133.0	96,890.0	Feb 22	3,480
1944-45	783.0	0.0	14.0	10,140.0	Feb 02	960
1945-46	1,140.0	0.0	45.0	32,560.0	Dec 23	1,600
1946-47	2,550.0	0.0	53.3	38,600.0	Dec 31	2,580
1947-48	809.0	0.0	11.2	8,120.0	Jun 04	822
1948-49	0.0	0.0	0.0	0.0		
1949-50	0.0	0.0	0.0	0.0		
1950-51	0.0	0.0	0.0	0.0		
1951-52	838.0	0.0	45.2	32,800.0	Jan 17	861
1952-53	488.0	0.0	23.5	16,990.0	Oct 30	598
1953-54	0.0	0.0	0.0	0.0		
1954-55	0.0	0.0	0.0	0.0		
1955-56	0.0	0.0	0.0	0.0		
1956-57	0.0	0.0	0.0	0.0		
1957-58	944.0	0.0	126.0	91,530.0	Apr 05	1,210
1958-59	342.0	0.0	12.4	9,000.0	Feb 24	606
1959-60	3.3	0.0	0.2	15.0	Feb 02	7
1960-61	0.0	0.0	0.0	0.0		
1961-62	437.0	0.0	46.2	33,450.0	Feb 13	728
1962-63	0.0	0.0	0.0	0.0		
1963-64	24.0	0.1	1.0	754.0		
1964-65	0.0	0.0	0.0	0.0		
1965-66	6,000.0	0.0	133.0	96,200.0	Nov 23	11,000
1966-67	597.0	0.0	62.1	44,930.0	Mar 23	614
1967-68	2.8	0.0	+	5.5	Nov 29	30
1968-69	26,000.0	0.0	540.0	391,200.0	Jan 26	30,900
1969-70	263.0	0.0	13.3	9,600.0	Mar 04	458
1970-71	116.0	0.0	6.5	4,721.5	Dec 17	116
1971-72	12.0	0.0	0.2	182.0	Dec 12	25
1972-73	310.0	0.0	32.6	23,330.8	Mar 22	340
1973-74	85.0	0.0	1.4	1,007.4	Apr 15	146
1974-75	No Data	from 1975	to 1998			

M Data Missing
 * Record incomplete
 E Estimate
 N.D. Not determined
 ** Record not Computed
 + Less than 0.05 Acre Feet or less than 0.05 CFS, but greater than 0

RUNOFF – STREAM GAGING STATION PEAK FLOW

SAN GABRIEL RIVER *below* Santa Fe Dam
 STATION NO. E281-R

Season	Daily CFS			Total Runoff (Acre-feet)	Peak Inflow	
	Maximum	Minimum	Mean		Date	CFS
1998-99	251.0	0.0	7.2	5,240.0		N.D.
1999-00	61.0	0.0	7.4	5,380.0	May 12	129
2000-01	129.0	0.0	0.8	611.0	Feb 12	306
2001-02	394.0	0.0	3.8	2,791.0	Nov 24	903
2002-03	72.7	0.0	2.0	1,452.6	Aug 25	185
2003-04	93.2	0.0	1.2	896.4	Dec 25	284
2004-05	14,700.0	0.0	441.0	320,000.0	Jan 09	26,100

M	Data Missing
*	Record incomplete
E	Estimate
N.D.	Not determined
**	Record not Computed
+	Less than 0.05 Acre Feet or less than 0.05 CFS, but greater than 0

RUNOFF – STREAM GAGING STATION PEAK FLOW

SAN GABRIEL RIVER *below* Valley Blvd.
 STATION NO. F261C-R

Season	Daily CFS			Total Runoff (Acre-feet)	Peak Inflow	
	Maximum	Minimum	Mean		Date	CFS

INACTIVE

M	Data Missing
*	Record incomplete
E	Estimate
N.D.	Not determined
**	Record not Computed
+	Less than 0.05 Acre Feet or less than 0.05 CFS, but greater than 0

RUNOFF – STREAM GAGING STATION PEAK FLOW

SAN GABRIEL RIVER *below* Valley Blvd.
 STATION NO. F261C-R

Season	Daily CFS			Total Runoff (Acre-feet)	Peak Inflow	
	Maximum	Minimum	Mean		Date	CFS

RUNOFF – STREAM GAGING STATION PEAK FLOW

SAN GABRIEL RIVER *below* Valley Blvd.
 STATION NO. F261C-R

Season	Daily CFS			Total Runoff (Acre-feet)	Peak Inflow	
	Maximum	Minimum	Mean		Date	CFS
1974-75	812.0	0.0	62.2	45,000	Dec 04	8,610
1975-76	516.0	0.0	70.4	50,920	Sep 10	2,690
1976-77	717.0	0.0	29.7	21,523	Jan 03	5,458
1977-78	16,500.0	0.0	471.0	340,714	Mar 05	25,700
1978-79	1,190.0	0.0	114.7	83,030	Mar 27	7,800
1979-80	11,870.0	0.0	326.9	245,503		N.D.
1980-81	850.0	0.0	24.4	17,694	Jan 29	4,200
1981-82	1,480.0	0.0	62.4	45,186	Mar 14	6,720
1982-83	19,000.0	0.0	269.4	195,060	Mar 02	24,100
1983-84	879.0	0.0	44.4	32,212	Oct 01	4,980
1984-85	511.0	0.0	64.1	46,405	Dec 16	5,160
1985-86	893.0	0.0	51.7	37,446	Mar 08	7,350
1986-87	1,040.0	0.0	67.4	48,808	Jan 04	3,770
1987-88	1,000.0	0.0	54.6	39,646	Dec 04	7,260
1988-89	704.0	0.0	65.2	47,221	Dec 21	4,110
1989-90	1,450.0	0.0	57.1	41,313	Feb 17	3,640
1990-91	1,470.0	0.0	29.3	21,023	Mar 01	4,690
1991-92	2,150.0	0.0	36.5	26,484	Feb 12	15,100
1992-93	10,400.0	0.0	458.0	331,800	Feb 19	17,200
1993-94	379.0	0.0	8.7	6,279	Mar 24	3,740
1994-95	*	*	*	*		*
1995-96	Discontin	11/95.				
1996-97	Unreliable	data due	to inflate	rubber dam		
1997-98	Unreliable	data due	to inflate	rubber dam		
1998-99	Unreliable	data due	to inflate	rubber dam		
2000-01	Unreliable	data due	to inflate	rubber dam		

M	Data Missing
*	Record incomplete
E	Estimate
N.D.	Not determined
**	Record not Computed
+	Less than 0.05 Acre Feet or less than 0.05 CFS, but greater than 0

RUNOFF – STREAM GAGING STATION PEAK FLOW

SAN GABRIEL RIVER *below* Cogswell Dam
 STATION NO. F209-R

Season	Daily CFS			Total Runoff (Acre-feet)	Peak Inflow	
	Maximum	Minimum	Mean		Date	CFS
1933-34	1,758.4	0.0	12.5	9,140.1	Jan 01	4,401
1934-35	594.0	0.1	27.5	19,700.6	Dec 13	1,260
1935-36	43.0	0.2	9.8	7,088.5	Feb 17	45
1936-37	577.0	0.1	46.9	33,585.1	Feb 14	752
1937-38	6,620.0	0.7	80.2	58,918.4	Mar 02	25,000
1938-39	683.0	0.4	15.7	11,358.9	Sep 25	1,190
1939-40	141.0	0.6	13.0	9,373.6	Jan 15	1,240
1940-41	1,130.0	0.5	83.7	59,817.1	Feb 22	1,160
1941-42	76.0	1.0	9.3	7,294.0	Nov 01	90
1942-43	4,775.0	0.6	75.8	54,926.9	Feb 23	7,300
1943-44	805.0	2.2	52.2	37,701.6	Dec 28	1,210
1944-45	144.0	0.8	14.6	10,411.2	Nov 20	157
1945-46	602.0	0.8	22.7	16,477.5	Mar 30	814
1946-47	1,110.0	0.1	27.9	20,245.4	Jan 06	1,240
1947-48	28.0	0.1	4.8	3,045.2	May 17	79
1948-49	12.3	0.1	4.5	2,775.3	Jul 21	67
1949-50	12.7	0.1	4.9	3,551.8	Mar 02	84
1950-51	10.6	0.2	0.8	576.0	Oct 24	52
1951-52	1,240.0	0.1	35.4	25,874.4	Jan 18	2,000
1952-53	289.0	0.1	17.0	12,479.1	Jan 09	328
1953-54	144.0	0.1	10.5	7,551.7	Jan 26	146
1954-55	36.0	0.1	4.4	3,193.4	Oct 04	149
1955-56	15.6	0.1	5.0	3,626.0		
1956-57	139.0	0.1	5.3	3,789.0	Nov 09	260
1957-58	1,170.0	0.1	48.3	34,530.8	Apr 04	1,430
1958-59	120.0	0.2	8.8	6,244.7	Feb 16	124
1959-60	13.0	0.1	2.8	2,018.1	Jan 29	260
1960-61	5.6	0.1	0.8	579.2	Jan 11	336
1961-62	1,810.0	0.1	34.5	23,810.6	Feb 11	2,370
1962-63	N.D.					
1963-64	30.0	0.1	3.7	2,661.4	Jun 24	788
1964-65	47.0	0.1	5.8	4,170.0	Apr 09	53
1965-66	1,120.0	0.3	56.9	41,365.3	Nov 22	2,570

M Data Missing
 * Record incomplete
 E Estimate
 N.D. Not determined
 ** Record not Computed
 + Less than 0.05 Acre Feet or less than 0.05 CFS, but greater than 0

RUNOFF – STREAM GAGING STATION PEAK FLOW

SAN GABRIEL RIVER *below* Cogswell Dam
 STATION NO. F209-R

Season	Daily CFS			Total Runoff (Acre-feet)	Peak Inflow	
	Maximum	Minimum	Mean		Date	CFS
1966-67	1,040.0	0.3	45.1	32,757.2	Dec 06	2,460
1967-68	N.D.					
1968-69	N.D.					
1969-70	N.D.					
1970-71	N.D.					
1971-72	N.D.					
1972-73	N.D.					
1973-74	N.D.					
1974-75	34.0	2.0	11.5	8,299.4	Oct 24	34
1975-76	32.7	2.0	6.9	4,998.9	Sep 15	33
1976-77	29.4	1.4	6.9	5,021.0	Oct 02	29
1977-78	3,550.0	1.9	3.9	86,060.2	Mar 04	8,780
1978-79	495.0	2.3	33.3	24,094.0	Mar 27	510
1979-80	1,920.0	2.5	81.5	33,672.8	Feb 19	2,760
1980-81	235.0	0.4	10.6	7,704.0	Apr 13	1,330
1981-82	1,110.0	0.4	12.5	9,059.1	Mar 23	3,910
1982-83	3,470.0	5.3	3.5	78,268.4	Mar 02	4,680
1983-84	115.0	4.4	0.6	12,496.7	Dec 28	190
1984-85	93.9	1.3	8.8	6,352.3	Jan 09	102
1985-86	535.0	4.6	21.2	15,314.4	Mar 19	1,140
1986-87	62.3	2.8	91.3	2,806.6	Nov 12	619
1987-88	202.0	2.3	19.7	11,249.1	Jan 27	756
1988-89	39.4	2.1	7.5	4,680.6	Feb 24	62
1989-90	7.2	1.4	2.4	1,717.7		
1990-91	390.0	1.0	15.3	10,933.5	Apr 03	417
1991-92	1,770.0	0.1	47.5	34,449.0	Feb 12	M
1992-93	1,360.0	1.0	109.0	79,250.8	Jan 14	1,550
1993-94	84.9	1.0	14.3	10,319.0	Dec 02	86
1994-95	951.0	0.5	56.7	41,044.0	Jan 10	1,740
1995-96	466.0	0.1	14.6	10,600.1	Feb 21	938
1996-97	335.0	0.1	11.2	8,084.8	Jan 22	651
1997-98	1,760.0	4.7	57.2	41,406.4	Feb 24	2,590
1998-99	184.0	2.5	17.2	12,430.8	Dec 01	935

M Data Missing
 * Record incomplete
 E Estimate
 N.D. Not determined
 ** Record not Computed
 + Less than 0.05 Acre Feet or less than 0.05 CFS, but greater than 0

RUNOFF – STREAM GAGING STATION PEAK FLOW

SAN GABRIEL RIVER *below* Cogswell Dam
 STATION NO. F209-R

Season	Daily CFS			Total Runoff (Acre-feet)	Peak Inflow	
	Maximum	Minimum	Mean		Date	CFS
1999-00	14.0	0.5	7.4	5,400.0	Feb 20	47
2000-01	22.0	7.6	14.4	10,410.0	Feb 13	37
2001-02	14.3	0.8	5.4	3,930.8	Nov 13	26
2002-03	24.7	0.3	11.5	8,284.5	May 28	232
2003-04	33.5	0.8	9.3	6,783.4	Oct 29	330
2004-05	3,220.0	1.6	134.0	96,800.0	Jan 11	5,370

M	Data Missing
*	Record incomplete
E	Estimate
N.D.	Not determined
**	Record not Computed
+	Less than 0.05 Acre Feet or less than 0.05 CFS, but greater than 0

RUNOFF – STREAM GAGING STATION PEAK FLOW

SAN GABRIEL RIVER @ Foothill Blvd.
STATION NO. F190-R

Season	Daily CFS			Total Runoff (Acre-feet)	Peak Inflow	
	Maximum	Minimum	Mean		Date	CFS
1931-32	N.D.	0.0	N.D.	76,220*		N.D.
1932-33	2,530.0	0.0	15.7	11,400	Jan 19	10,000
1933-34	3,150.0	0.0	20.3	14,690	Jan 01	5,550
1934-35	448.0	0.0	81.7	59,220	Apr 08	1,080
1935-36	169.0	0.0	21.1	15,300	Feb 02	572
1936-37	1,610.0	0.0	162.0	117,400	Feb 19	2,050
1937-38	22,200.0	0.0	387.2	280,300*	Mar 02	62,000E
1938-39	220.0	0.0	15.0	10,850	Jan 05	267
1939-40	388.0	0.0	13.7	9,980	Jun 25	400
1940-41	4,090.0	0.0	304.0	220,100	Mar 04	5,280
1941-42	312.0	0.0	5.5	3,990	Apr 20	345
1942-43	10,400.0E	0.0	318.0	230,200	Feb 23	11,400
1943-44	2,750.0	0.0	163.0	118,300	Feb 22	4,840
1944-45	844.0	0.0	22.9	16,620	Feb 02	1,080
1945-46	1,190.0	0.0	58.1	42,060	Dec 23	1,670
1946-47	3,000.0	0.0	65.6	47,520	Dec 28	3,200
1947-48	1,010.0	0.0	14.3	10,370	Jun 02	1,120
1948-49	0.0	0.0	0.0	0.0		0
1949-50	20.0	0.0	0.1	67.0	Dec 18	192
1950-51	0.0	0.0	0.0	0.0		0
1951-52	3,860.0	0.0	98.1	71,210	Jan 18	4,670
1952-53	1,030.0	0.0	56.9	41,180	Oct 28	1,080
1953-54	848.0	0.0	30.3	21,920	Apr 16	2,160
1954-55	3.8	0.0	+	38.0	Jan 18	12
1955-56	215.0	0.0	2.0	1,430	Jan 26	800
1956-57	573.0	0.0	7.4	5,320	Apr 17	585
1957-58	2,270.0	0.0	229.0	165,600	Apr 05	2,520
1958-59	380.0	0.0	18.8	13,590	Jan 06	3,390
1959-60	13.0	0.0	0.7	499.0	Apr 27	90
1960-61	26.0	0.0	0.2	147.0	Jan 26	48
1961-62	1,750.0	0.0	103.0	74,270	Feb 12	2,260
1962-63	47.0	0.0	0.3	237.0	Feb 09	301
1963-64	13.0	0.0	0.1	66.0	Jan 22	56

M Data Missing
 * Record incomplete
 E Estimate
 N.D. Not determined
 ** Record not Computed
 + Less than 0.05 Acre Feet or less than 0.05 CFS, but greater than 0

RUNOFF – STREAM GAGING STATION PEAK FLOW

**SAN GABRIEL RIVER @ Foothill Blvd.
STATION NO. F190-R**

Season	Daily CFS			Total Runoff (Acre-feet)	Peak Inflow	
	Maximum	Minimum	Mean		Date	CFS
1964-65	293.0	0.0	11.0	7,940	Sep 06	881
1965-66	8,680.0	0.0	240.0	173,700	Nov 23	9,420
1966-67	2,080.0	0.0	249.0	180,000	Dec 06	9,830
1967-68	232.0	0.0	33.0	23,940	Nov 25	326
1968-69	22,700.0	0.0	794.0	575,300	Jan 26	N.D.
1969-70	378.0	0.0	32.9	23,810	Dec 21	411
1970-71	1,300.0	0.0	44.0	31,850	Mar 01	1,400
1971-72	254.0	0.0	13.3	9,660	Dec 08	254
1972-73	803.0	0.0	129.0	93,260	Feb 11	1,010
1973-74	374.0	0.0	56.2	40,640	Jan 07	670
1974-75	256.0	0.0	37.3	27,040		256
1975-76	179.0	0.0	27.3	19,833	Mar 01	10,002
1976-77	226.0	0.0	24.6	17,770	Oct 14	248
1977-78	*	*	664.2	480,390	Mar 04	24,300
1978-79	525.0	0.0	153.0	110,800	Mar 27	720
1979-80	8,751.0	0.0	440.0	313,199		N.D.
1980-81	362.0	0.0	23.8	17,247	Jan 29	477
1981-82	573.0	0.1	79.8	57,237	Mar 14	720
1982-83	12,810.0	0.0	16.1	356,249	Mar 02	12,810
1983-84	432.0	1.8	50.9	36,846		N.D.
1984-85	396.0	0.0	16.7	12,084		N.D.
1985-86	805.0	0.0	117.0	84,632	Mar 03	805
1986-87	112.0	0.0	31.2	22,594	Mar 06	130
1987-88	544.0	0.0	62.3	444,868	Jun 08	805
1988-89	464.0	0.0	49.6	35,849	Feb 04	1,130
1989-90	145.0	0.0	26.7	19,337	Apr 17	155
1990-91	567.0	0.0	74.1	52,908	Jul 27	578
1991-92	1,580.0	0.0	200.0	144,865	Feb 15	4,000
1992-93	8,600.0	0.0	598.0	432,600	Feb 16	11,300
1993-94	393.0	0.0	53.4	38,660	Feb 17	1,750
1994-95	2,180.0	0.0	278.0	201,100	Mar 06	5,020
1995-96	531.0	0.0	91.7	66,560	Oct 06	1,130
1996-97	563.0	0.0	62.3	45,100	Dec 22	522

M Data Missing
 * Record incomplete
 E Estimate
 N.D. Not determined
 ** Record not Computed
 + Less than 0.05 Acre Feet or less than 0.05 CFS, but greater than 0

RUNOFF – STREAM GAGING STATION PEAK FLOW

SAN GABRIEL RIVER @ Foothill Blvd.
 STATION NO. F190-R

Season	Daily CFS			Total Runoff (Acre-feet)	Peak Inflow	
	Maximum	Minimum	Mean		Date	CFS
1997-98	7,660.0	0.0	319.0	230,900	Feb 24	11,900
1998-99	216.0	0.0	28.2	20,420	Jul 15	326
1999-00	272.0	0.0	40.9	29,690		N.D.
2000-01	377.0	0.0	45.9	33,220	Dec 13	730
2001-02	350.3	0.0	22.0	15,915.7	Oct 31	460
2002-03	543.4	0.0	51.3	37,111.2	Mar 16	669
2003-04	0.0	0.0	56.0	0.0	Feb 26	806
2004-05	15,300.0	0.0	674.0	488,000.0	Jan 11	18,800

M Data Missing
 * Record incomplete
 E Estimate
 N.D. Not determined
 ** Record not Computed
 + Less than 0.05 Acre Feet or less than 0.05 CFS, but greater than 0

RUNOFF – STREAM GAGING STATION PEAK FLOW

**SAN GABRIEL RIVER *above* Florence Avenue
STATION NO. F262C-R**

Season	Daily CFS			Total Runoff (Acre-feet)	Peak Inflow	
	Maximum	Minimum	Mean		Date	CFS
1934-35	718.0	0.0	6.5	4,700	Oct 17	5,850
1935-36	414.0	0.0	2.4	1,750	Feb 12	3,400
1936-37	NO RECORD					
1937-38	NO RECORD					
1938-39	325.0	0.0		2,540*	Sep 25	1,380
1939-40	271.0	0.0	2.6	1,900	Jan 08	1,150
1940-41	2,390.0	0.0	105.0	75,780	Mar 04	5,630
1941-42	117.0	0.0	18.7	13,570	Dec 10	413
1942-43	9,190.0	0.0	257.0	186,400	Jan 23	14,000
1943-44	4,860.0	0.0	110.0	79,930	Feb 22	16,000
1944-45	806.0	0.0	36.1	26,110	Nov 12	4,020
1945-46	1,500.0	0.0	22.8	16,480	Dec 23	4,370
1946-47	2,880.0	0.0	38.2	27,650	Dec 31	3,640
1947-48	0.0	0.0	0.0	0.0		0
1948-49	0.0	0.0	0.0	0.0		0
1949-50	0.0	0.0	0.0	0.0		0
1950-51	0.0	0.0	0.0	0.0		0
1951-52	3,070.0	0.0	33.4	24,250	Jan 16	8,040
1952-53	181.0	0.0	1.4	983.0	Dec 02	1,270
1953-54	688.0	0.0	5.2	3,790	Feb 13	4,060
1954-55	317.0	0.0	1.4	1,000	Jan 18	1,850
1955-56	4,580.0	0.0	14.3	10,360	Jan 26	12,800E
1956-57	490.0	0.0	1.9	1,390	Jan 13	2,040
1957-58	1,720.0	0.0	31.9	23,960	Apr 07	6,300
1958-59	826.0	0.0	4.3	3,130	Jan 06	4,060
1959-60	377.0	0.0	2.7	1,990	Jan 12	2,210
1960-61	316.0	0.0	0.9	678.0	Jan 26	2,940
1961-62	2,170.0	0.0	23.7	17,340	Feb 11	6,470
1962-63	1,190.0	0.0	7.1	5,160	Mar 16	4,270
1963-64	707.0	0.0	4.8	3,460	Nov 20	4,330
1964-65	1,210.0	0.0	12.4	9,010	Apr 09	4,900
1965-66	697.0	0.0	7.8	5,620	Jan 30	2,080
1966-67	1,900.0	0.0	32.2	23,300	Jan 23	4,320

M Data Missing
 * Record incomplete
 E Estimate
 N.D. Not determined
 ** Record not Computed
 + Less than 0.05 Acre Feet or less than 0.05 CFS, but greater than 0

RUNOFF – STREAM GAGING STATION PEAK FLOW

**SAN GABRIEL RIVER *above* Florence Avenue
STATION NO. F262C-R**

Season	Daily CFS			Total Runoff (Acre-feet)	Peak Inflow	
	Maximum	Minimum	Mean		Date	CFS
1967-68	NO RECORD					
1968-69	8,430.0	0.0	273.0	197,600	Jan 25	10,900
1969-70	1,650.0	0.0	16.5	11,950	Mar 04	4,510
1970-71	2,160.0	0.0	15.5	11,220	Nov 29	4,410
1971-72	1,450.0	0.0	10.2	7,400	Dec 24	7,510
1972-73	2,540.0	0.0	28.6	20,700	Feb 11	5,680
1973-74	3,650.0	0.0	26.8	19,420	Jan 07	5,870
1974-75	1,390.0	0.0	8.4	6,110	Dec 04	6,010
1975-76	690.0	0.0	5.9	4,160	Sep 10	2,800
1976-77	486.0	0.0	4.4	3,171	Jan 03	3,320
1977-78	5,440.0	0.0	224.0	162,158	Feb 12	8,220
1978-79	*	*	*	*		*
1979-80	9,290.0	0.0	222.3	156,500	Feb 17	10,900
1980-81	219.0	0.0	1.1	773.0	Mar 02	414
1981-82	186.0	0.0	1.0	723.0	Mar 17	755
1982-83	4,920.0	0.0	95.2	68,938	Mar 01	10,400
1983-84	131.0	0.0	1.8	1,341	Nov 25	179
1984-85	215.0	0.0	2.4	1,771	Dec 19	283
1985-86	528.0	0.0	6.4	4,597	Sep 25	4,510
1986-87	585.0	0.0	2.7	1,936	Jan 04	3,350
1987-88	75.9	0.0	0.6	466.0	Apr 21	327
1988-89	148.0	0.0	1.1	825.0	Dec 25	1,174
1989-90	32.0	0.0	0.1	65.0	Feb 17	353
1990-91	169.0	0.0	1.0	694.0	Mar 27	605
1991-92	673.0	0.0	5.3	3,840	Feb 12	2,340
1992-93	6,990.0	0.0	276.0	199,500	Jan 18	7,600
1993-94	0.0	0.0	0.0	0.0		-
1994-95	1,520.0	0.0	35.6	25,760	Jan 10	5,120
1995-96	871.0	0.0	3.8	2,727	Feb 21	2,360
1996-97	291.0	0.0	5.1	3,710	Dec 11	1,240
1997-98	5,750.0	0.0	168.0	121,400	Mar 26	8,070
1998-99	19.0	0.0	0.2	116.0	Nov 08	78
1999-00	159.0	0.0	1.1	788.0	Mar 08	3,130

M Data Missing
 * Record incomplete
 E Estimate
 N.D. Not determined
 ** Record not Computed
 + Less than 0.05 Acre Feet or less than 0.05 CFS, but greater than 0

RUNOFF – STREAM GAGING STATION PEAK FLOW

SAN GABRIEL RIVER *above* Florence Avenue
 STATION NO. F262C-R

Season	Daily CFS			Total Runoff (Acre-feet)	Peak Inflow	
	Maximum	Minimum	Mean		Date	CFS
2000-01	708.0	0.0	4.8	3,480	Jan 11	2,180
2001-02	242.8	0.0	1.0	555.0	Nov 24	1,756
2002-03	311.5	0.0	1.6	1,143	Feb 12	1,430
2003-04	0.0	0.0	0.5	0.0	Feb 26	856
2004-05	5,940.0	0.0	199.0	144,000.0	Feb 21	7,930

M	Data Missing
*	Record incomplete
E	Estimate
N.D.	Not determined
**	Record not Computed
+	Less than 0.05 Acre Feet or less than 0.05 CFS, but greater than 0

RUNOFF – STREAM GAGING STATION PEAK FLOW

SAN GABRIEL RIVER *below* San Gabriel River Parkway
STATION NO. F263C-R

Season	Daily CFS			Total Runoff (Acre-feet)	Peak Inflow	
	Maximum	Minimum	Mean		Date	CFS
1928-29	93.0	0.0	3.9	2,850	Mar 10	397
1929-30	152.0	0.0	4.8	3,490	Jan 11	726
1930-31	106.0	0.0	3.4	2,490	Feb 04	404
1931-32	1,620.0	0.0	18.0	13,060	Feb 09	3,830
1932-33	286.0	0.0	4.2	3,040	Jan 29	1,450
1933-34	5,580.0	0.0	23.4	16,950	Jan 01	22,000
1934-35	746.0	0.0	16.8	12,190	Oct 17	5,400
1935-36	355.0	0.0	6.3	4,590	Feb 12	3,400
1936-37	2,440.0	0.0	47.3	34,240*	Feb 14	6,970
1937-38	11,400.0	0.0	131.0	94,810	Mar 02	22,700E
1938-39	672.0	0.0	34.1	24,620	Sep 25	2,110
1939-40	544.0	0.0	27.8	20,180	Feb 01	2,110
1940-41	2,700.0	0.0	139.0	100,900	Mar 04	5,830
1941-42	149.0	0.0	39.5	28,630	Dec 10	412
1942-43	10,500.0	0.0	289.0	209,600	Jan 23	14,810
1943-44	5,350.0	0.0	144.0	104,200	Feb 22	14,100
1944-45	744.0	0.0	58.7	42,520	Nov 12	4,210
1945-46	1,660.0	0.0	47.5	34,370	Dec 23	4,660
1946-47	2,810.0	0.0	62.7	45,420	Dec 30	3,240
1947-48	48.0	0.0	11.8	8,590	Feb 06	84
1948-49	77.0	0.0	8.9	6,470	Jan 20	144
1949-50	272.0	0.0	5.7	4,130	Feb 06	845
1950-51	16.0	0.0	0.8	558.0	Jan 30	27
1951-52	2,860.0	0.0	70.2	50,900	Jan 16	14,000
1952-53	327.0	0.0	19.2	13,880	Dec 02	1,450
1953-54	901.0	0.0	15.2	10,990	Feb 13	5,450
1954-55	323.0	0.0	12.8	9,250	Jan 18	1,590
1955-56	4,030.0	0.0	33.1	24,050	Jan 26	12,400
1956-57	558.0	0.0	24.9	18,000	Mar 01	3,600
1957-58	2,210.0	0.0	114.0	82,190	Apr 07	6,890
1958-59	777.0	0.0	16.9	33,960	Jan 06	3,870
1959-60	449.0	0.0	49.7	36,100	Jan 12	2,390
1960-61	421.0	0.0	65.9	47,700	Jan 26	1,330

M Data Missing
 * Record incomplete
 E Estimate
 N.D. Not determined
 ** Record not Computed
 + Less than 0.05 Acre Feet or less than 0.05 CFS, but greater than 0

RUNOFF – STREAM GAGING STATION PEAK FLOW

SAN GABRIEL RIVER *below* San Gabriel River Parkway
STATION NO. F263C-R

Season	Daily CFS			Total Runoff (Acre-feet)	Peak Inflow	
	Maximum	Minimum	Mean		Date	CFS
1961-62	2,840.0	0.0	142.0	103,100	Feb 11	8,810
1962-63	1,080.0	0.0	58.6	42,430	Mar 17	4,320
1963-64	881.0	0.0	63.0	45,700	Jan 22	3,380
1964-65	1,410.0	0.0	107.0	77,270	Apr 09	5,590
1965-66	916.0	0.0	76.4	55,320	Feb 06	2,670
1966-67	2,270.0	0.3	86.7	62,800	Jan 23	5,680
1967-68	222.0	3.2	36.2	26,240	Nov 19	330
1968-69	10,210.0	15.0	379.0	274,300	Jan 26	11,740
1969-70	1,880.0	13.0	109.0	79,110	Mar 04	5,530
1970-71	2,170.0	2.6	75.4	54,590	Dec 21	4,610
1971-72	1,900.0	0.0	45.1	32,740	Dec 24	6,970
1972-73	2,540.0	0.0	92.6	67,020	Feb 11	5,620
1973-74	3,640.0	4.0	83.6	60,500	Jan 04	6,170
1974-75	2,050.0	1.0	52.7	38,190	Dec 04	7,520
1975-76	1,500.0	0.0	44.4	32,000		N.D.
1976-77	739.0	0.0	23.0	16,670	Jan 03	4,080
1977-78	6,630.0	0.0	353.4	256,222	Mar 01	7,650
1978-79	338.0	2.3	51.0	36,943	Jan 15	2,052
1979-80	9,140.0	6.0	283.9	201,315	Feb 19	10,600
1980-81	336.0	3.8	33.0	23,902	Mar 01	577
1981-82	290.0	0.0	32.0	23,162	Mar 14	523
1982-83	4,740.0	7.7	163.1	118,084	Mar 01	8,650
1983-84	152.0	3.8	30.6	22,254	Oct 01	414
1984-85	387.0	3.1	31.1	22,522	Dec 18	750
1985-86	598.0	0.5	59.4	31,244	Sep 25	3,340
1986-87	1,060.0	0.0	30.3	21,994	Jan 04	5,140
1987-88	559.0	0.0	32.7	23,684	Apr 20	1,270
1988-89	570.0	0.0	28.9	20,899	Dec 24	3,020
1989-90	612.0	0.0	39.6	28,677	Feb 17	947
1990-91	787.0	0.0	34.7	24,904	Feb 28	1,140
1991-92	1,320.0	0.0	42.0	30,460	Feb 12	3,390
1992-93	6,460.0	0.0	377.0	273,200	Jan 18	7,430
1993-94	387.0	0.2	35.9	26,000	Jan 25	1,520

M Data Missing
 * Record incomplete
 E Estimate
 N.D. Not determined
 ** Record not Computed
 + Less than 0.05 Acre Feet or less than 0.05 CFS, but greater than 0

RUNOFF – STREAM GAGING STATION PEAK FLOW

SAN GABRIEL RIVER *below* San Gabriel River Parkway
STATION NO. F263C-R

Season	Daily CFS			Total Runoff (Acre-feet)	Peak Inflow	
	Maximum	Minimum	Mean		Date	CFS
1994-95	2,470.0	0.0	146.0	105,900	Mar 11	5,070
1995-96	794.0	1.6	47.8	34,720	Jan 31	1,620
1996-97	1,210.0	0.7	73.9	53,530	Dec 09	2,040
1997-98	5,450.0	2.4	233.0	168,600	Feb 23	7,060
1998-99	350.0	0.0	35.5	25,720	Feb 05	621
1999-00	607.0	0.1	58.6	42,560	Jun 06	2,550
2000-01	1,240.0	0.0	68.3	49,420	Feb 25	4,620
2001-02	766.1	0.0	47.3	34,260.2	Nov 24	4,017
2002-03	1,576.2	0.0	45.2	32,730.5	Feb 12	5,360
2003-04	1,259.1	0.0	34.0	24,869.2	Feb 26	4,080
2004-05	5,800.0	0.0	306.0	222,000.0	Feb 21	7,090

M	Data Missing
*	Record incomplete
E	Estimate
N.D.	Not determined
**	Record not Computed
+	Less than 0.05 Acre Feet or less than 0.05 CFS, but greater than 0

RUNOFF – STREAM GAGING STATION PEAK FLOW

SAN GABRIEL RIVER *below* Morris Dam
STATION NO. U8-R

Season	Daily CFS			Total Runoff (Acre-feet)	Peak Inflow	
	Maximum	Minimum	Mean		Date	CFS
1895-96	134.0	0.0	N.D.	N.D.		
1896-97	1,760.0	0.0	95.6	69,200		N.D.
1897-98	1,600.0	0.0	9.6	6,920		N.D.
1898-99	16.0	0.0	0.1	74.0		N.D.
1899-00	49.0	0.0	0.4	272.0		N.D.
1900-01	5,170.0	0.0	94.1	68,100	Feb 05	N.D.
1901-02	318.0	0.0	4.3	3,100		6,250
1902-03	2,940.0	0.0	104.0	74,900		N.D.
1903-04	1,070.0	0.0	9.3	6,720		N.D.
1904-05	2,940.0	0.0	172.0	124,000		N.D.
1905-06	7,950.0	0.0	262.0	190,000		N.D.
1906-07	6,730.0	0.0	406.0	293,000		N.D.
1907-08	1,160.0	0.0	46.4	33,700		N.D.
1908-09	7,030.0	0.0	197.0	143,000		N.D.
1909-10	12,400.0	0.0	137.0	99,100	Jan 01	13,900
1910-11	9,100.0	0.0	321.0	231,000	Mar 10	13,500
1911-12	2,950.0	0.0	55.5	40,300		N.D.
1912-13	1,880.0	0.0	25.6	18,600		N.D.
1913-14	11,800.0	0.0	359.0	260,000	Feb 20	18,100
1914-15	1,110.0	0.0	108.0	77,900	Jan 29	2,770
1915-16	22,300.0	0.0	315.0	228,000	Jan 18	40,000
1916-17	3,900.0	0.0	49.3	35,700		N.D.
1917-18	4,940.0	0.0	123.0	88,600	Mar 17	8,680
1918-19	76.0	0.0	3.2	2,290	Feb 11	230
1919-20	2,400.0	0.0	94.6	68,700	Mar 02	5,000
1920-21	2,050.0	0.0	40.1	29,000	Mar 14	4,000
1921-22	16,000.0	0.0	505.0	365,000	Dec 19	22,300
1922-23	2,250.0	0.0	44.0	31,800	Dec 13	3,670
1923-24	253.0	0.0	3.5	2,540	Mar 26	510
1924-25	588.0	0.0	4.2	3,030	Mar 04	3,000
1925-26	5,530.0	0.0	113.0	81,700	Apr 07	14,900
1926-27	11,400.0	0.0	123.0	88,900	Feb 16	18,200
1927-28	672.0	0.0	4.1	2,940	Feb 04	1,810

M Data Missing
 * Record incomplete
 E Estimate
 N.D. Not determined
 ** Record not Computed
 + Less than 0.05 Acre Feet or less than 0.05 CFS, but greater than 0

RUNOFF – STREAM GAGING STATION PEAK FLOW

SAN GABRIEL RIVER *below* Morris Dam
STATION NO. U8-R

Season	Daily CFS			Total Runoff (Acre-feet)	Peak Inflow	
	Maximum	Minimum	Mean		Date	CFS
1928-29	411.0	0.0	10.0	7,210	Mar 10	895
1929-30	396.0	0.0	21.5	15,600	Mar 15	586
1930-31	601.0	0.0	9.5	6,900	Apr 26	1,450
1931-32	5,830.0	0.0	120.0	87,200	Feb 09	7,500
1932-33	1,630.0	0.0	21.9	15,900	Jan 19	5,820
1933-34	2,380.0	0.0	30.4	22,080	Jan 01	6,120
1934-35	460.0	0.0	102.0	74,080	Feb 09	507
1935-36	224.0	0.0	31.6	22,980	Apr 10	455
1936-37	1,770.0	0.0	195.0	141,100	Feb 20	1,950
1937-38	21,660.0	0.1	415.0	300,200	Mar 02	65,700
1938-39	316.0	6.5	53.5	38,680		N.D.
1939-40	506.0	0.0	50.5	36,640	Jun 24	506
1940-41	3,870.0	0.0	317.0	229,300	Mar 04	4,460
1941-42	370.0	2.5	13.1	9,480	Apr 20	422
1942-43	10,370.0	2.0	334.0	242,000	Jan 23	12,100
1943-44	2,710.0	3.6	184.0	133,700	Feb 22	5,170
1944-45	980.0	6.1	62.8	45,490	Feb 06	988
1945-46	937.0	0.3	75.9	54,930	Dec 23	980
1946-47	2,930.0	0.0	74.9	54,220	Dec 31	2,980
1947-48	1,170.0	0.0	18.1	13,170	Jun 02	1,320
1948-49	61.0	0.0	5.7	4,140	Oct 27	79
1949-50	7.9	0.0	0.7	51.0	Jul 31	8
1950-51	47.0	0.0	8.6	6,220	Apr 27	168
1951-52	3,530.0	0.0	91.1	66,120		N.D.
1952-53	1,190.0	0.0	69.4	50,240		N.D.
1953-54	960.0	0.0	34.6	25,030	Apr 16	9,420
1954-55	9.9	0.0	0.1	86.0	Sep 26	10
1955-56	43.0	0.0	0.2	176.0	Sep 30	45
1956-57	650.0	0.0	12.4	9,010	Apr 14	656
1957-58	2,470.0	0.0	241.0	174,100	Apr 05	2,780
1958-59	348.0	0.0	11.3	8,200	Feb 24	364
1959-60	0.0	0.0	0.0	0.0		0
1960-61	7.5	0.0	1.7	1,250	May 06	9

M Data Missing
 * Record incomplete
 E Estimate
 N.D. Not determined
 ** Record not Computed
 + Less than 0.05 Acre Feet or less than 0.05 CFS, but greater than 0

RUNOFF – STREAM GAGING STATION PEAK FLOW

SAN GABRIEL RIVER *below* Morris Dam
STATION NO. U8-R

Season	Daily CFS			Total Runoff (Acre-feet)	Peak Inflow	
	Maximum	Minimum	Mean		Date	CFS
1961-62	1,520.0	0.0	102.0	73,590	Feb 12	1,650
1962-63	27.0	0.0	1.0	712.0	Sep 04	45
1963-64	22.0	0.0	0.2	160.0	Aug 26	50
1964-65	276.0	0.0	10.7	981.0	Jun 12	291
1965-66	7,260.0	0.0	225.0	162,900	Nov 23	8,640
1966-67	3,750.0	0.0	232.0	167,900	Dec 06	5,680
1967-68	236.0	0.0	31.7	23,030	Nov 25	326
1968-69	19,300.0	0.0	750.0	543,000	Feb 25	29,850
1969-70	1,060.0	0.0	52.4	37,970	Feb 28	1,102
1970-71	434.0	0.0	31.4	22,760	Jan 04	439
1971-72	299.0	0.0	15.3	11,090	Dec 08	299
1972-73	849.0	0.0	131.0	94,790	Mar 19	918
1973-74	310.0	0.0	60.8	44,010	Nov 07	364
1974-75	248.0	0.0	29.7	21,500		248
1975-76	191.0	0.0	28.8	20,870	Mar 25	178
1976-77	267.0	0.0	21.8	15,760	Oct 13	273
1977-78	10,800.0	0.0	630.1	456,170	Mar 04	14,100
1978-79	504.0	0.0	149.2	108,000	Apr 22	519
1979-80	8,310.0	0.0	473.3	337,410	Feb 19	8,720
1980-81	415.0	0.0	37.8	27,335	Dec 11	514
1981-82	586.0	0.0	90.2	65,284	Mar 24	5,490
1982-83	11,600.0	0.0	15.9	352,733	Mar 02	11,900
1983-84	485.0	0.0	2.2	48,419	Oct 13	552
1984-85	464.0	0.0	48.5	35,100	Jan 01	469
1985-86	831.0	0.0	131.0	94,778	Feb 25	856
1986-87	186.0	0.0	60.8	43,995	Feb 23	212
1987-88	253.0	0.0	94.1	67,673	Jun 08	793
1988-89	434.0	0.4	68.0	49,058	Jan 05	434
1989-90	166.0	0.1	64.0	46,101	Apr 28	162
1990-91	785.0	0.0	113.0	80,999	Jul 28	793
1991-92	1,740.0	0.8	206.0	149,508	Feb 15	3,460
1992-93	9,500.0	0.0	655.0	474,300	Jan 14	9,500
1993-94	480.0	0.0	57.8	41,860	Aug 02	1,490

M Data Missing
 * Record incomplete
 E Estimate
 N.D. Not determined
 ** Record not Computed
 + Less than 0.05 Acre Feet or less than 0.05 CFS, but greater than 0

RUNOFF – STREAM GAGING STATION PEAK FLOW

SAN GABRIEL RIVER *below* Morris Dam
 STATION NO. U8-R

Season	Daily CFS			Total Runoff (Acre-feet)	Peak Inflow	
	Maximum	Minimum	Mean		Date	CFS
1994-95	*	*	*	*		*
1995-96	552.0	0.4	124.0	89,820	Sep 25	1,220
1996-97	696.0	0.3	90.3	65,340	Feb 02	1,620
1997-98	7,200.0	0.0	365.0	264,000	Feb 24	10,300
1998-99	250.0	0.0	33.1	23,970	Mar 01	3,140
1999-00	316.0	1.2	59.1	42,940	May 01	834
2000-01	490.0	2.0	65.3	47,240	May 09	1,240
2001-02	242.1	2.3	65.5	47,415.9	Oct 31	1,183
2002-03	746.8	1.9	118.0	85,273.4	Nov 14	1,070
2003-04	676.8	1.1	89.0	64,272.9	Oct 06	683
2004-05	15,900.0	21.0	748.0	541,000.0	Jan 11	20,700

M	Data Missing
*	Record incomplete
E	Estimate
N.D.	Not determined
**	Record not Computed
+	Less than 0.05 Acre Feet or less than 0.05 CFS, but greater than 0

RUNOFF – STREAM GAGING STATION PEAK FLOW

SAN GABRIEL RIVER *above* Whittier Narrow Dam
STATION NO. G44B-R

Season	Daily CFS			Total Runoff (Acre-feet)	Peak Inflow	
	Maximum	Minimum	Mean		Date	CFS
1991-92*	1,080.0	0.0	18.7	13,303.3		
1992-93	8,940.0	0.0	331.0	239,550.9		
1993-94	1,030.0	0.0	19.2	13,928.9	Mar 24	8,650
1994-95	6,130.0	0.0	112.0	80,833.8	Jan 10	29,600
1995-96	5,280.0	0.0	33.9	24,639.1	Feb 20	19,700
1996-97	2,300.0	0.0	31.7	22,917.2	Dec 09	7,130
1997-98	7,200.0	0.0	107.0	77,631.5	Feb 07	28,900
1998-99	355.0	0.0	4.3	3,135.7	Nov 08	3,700
1999-00*	1,510.0	0.0	23.2	16,815.7	Feb 23	11,700
2000-01	2,360.0	0.0	28.3	20,490.0	Jan 11	9,210
2001-02	1,063.1	0.0	3.5	2,562.9	Nov 24	21,429
2002-03	3,906.9	0.0	48.8	35,377.6	Dec 16	22,100
2003-04	3,474.5	0.0	28.0	20,670.1	Feb 26	15,600
2004-05	18,200.0	0.0	374.0	271,000.0	Jan 09	26,900

M Data Missing
 * Record incomplete
 E Estimate
 N.D. Not determined
 ** Record not Computed
 + Less than 0.05 Acre Feet or less than 0.05 CFS, but greater than 0

RUNOFF – STREAM GAGING STATION PEAK FLOW

SAN GABRIEL RIVER *above* Spring Street
 STATION NO. F42B-R

Season	Daily CFS			Total Runoff (Acre-feet)	Peak Inflow	
	Maximum	Minimum	Mean		Date	CFS
1927-28	0.0	0.0	0.0	0.0		0
1928-29	0.0	0.0	0.0	0.0		0
1929-30	0.0	0.0	0.0	0.0		0
1930-31	0.0	0.0	0.0	0.0		0
1931-32	1,270.0	0.0	9.0	6,560	Feb 09	4,490
1932-33	170.0	0.0	1.1	809.0	Jan 20	2,250
1933-34	4,860.0	0.0	17.1	12,370	Jan 01	15,000
1934-35	463.0	0.0	3.3	2,380	Oct 17	3,390
1935-36	220.0	0.0	1.6	1,190	Feb 12	1,910
1936-37	1,850.0	0.0	18.7	13,510	Feb 14	4,560
1937-38	14,500.0	0.0	122.0	88,020	Mar 02	27,000E
1938-39	265.0	0.0	1.5	1,080	Dec 19	956
1939-40	192.0E	0.0	2.0	1,460	Feb 03	1,400
1940-41	1,710.0	0.0	91.0	65,890	Mar 13	4,830
1941-42	148.0	0.0	15.0	10,830	Dec 11	277
1942-43	9,570.0	0.0	280.0	175,100	Jan 23	14,600
1943-44	5,570.0	0.0	99.4	72,200	Feb 22	15,000
1944-45	742.0	0.0	30.8	22,280	Feb 02	1,910
1945-46	1,460.0	0.0	17.4	12,590	Dec 23	3,300
1946-47	2,520.0	0.0	33.3	24,100	Jan 01	2,740
1947-48	0.0	0.0	0.0	0.0		0
1948-49	0.0	0.0	0.0	0.0		0
1949-50	0.0	0.0	0.0	0.0		0
1950-51	0.0	0.0	0.0	0.0		0
1951-52	STATION	OUT		21,100E		0
1952-53	101.0	0.0	0.3	220.0	Dec 02	301
1953-54	445.0	0.0	2.9	2,060	Feb 13	3,520
1954-55	240.0	0.0	1.1	820.0	Jan 18	1,640
1955-56	4,300.0	0.0	12.9	9,390	Jan 26	12,500
1956-57	393.0	0.0	1.2	896.0	Jan 13	1,760
1957-58	1,510.0	0.0	31.6	22,890	Apr 07	5,220
1958-59	615.0	0.0	3.2	2,340	Jan 06	2,940
1959-60	355.0	0.0	2.6	1,860	Jan 12	2,180

M Data Missing
 * Record incomplete
 E Estimate
 N.D. Not determined
 ** Record not Computed
 + Less than 0.05 Acre Feet or less than 0.05 CFS, but greater than 0

RUNOFF – STREAM GAGING STATION PEAK FLOW

SAN GABRIEL RIVER *above* Spring Street
STATION NO. F42B-R

Season	Daily CFS			Total Runoff (Acre-feet)	Peak Inflow	
	Maximum	Minimum	Mean		Date	CFS
1960-61	204.0	0.0	0.6	448.0	Jan 26	1,780
1961-62	2,940.0	0.0	32.0	23,070	Feb 11	7,350
1962-63	1,530.0	0.0	7.3	5,290	Mar 17	4,120
1963-64	751.0	0.0	4.4	3,160	Jan 22	2,570
1964-65	1,070.0	0.0	12.1	8,770	Apr 09	4,540
1965-66	630.0	0.0	10.2	7,400	Feb 06	1,950
1966-67	1,190.0	0.0	37.1	26,850	Jan 23	4,760
1967-68	847.0	+	9.2	6,720	Nov 21	3,280
1968-69	9,350.0	+	286.0	207,300	Jan 25	11,700
1969-70	1,760.0	+	24.2	17,520	Mar 05	5,550
1970-71	2,700.0	+	27.1	19,610	Dec 19	5,550
1971-72	1,980.0	0.1	82.2	39,900	Dec 24	8,580
1972-73	2,710.0	10.6	70.6	51,100	Jan 16	5,680
1973-74	3,730.0	10.6	63.9	46,220	Jan 04	6,090
1974-75	2,190.0	6.1	48.1	34,850	Dec 04	7,190
1975-76	660.0	12.6	50.5	36,640	Sep 10	3,890
1976-77	816.0	20.0	54.7	39,600	Jan 03	4,460
1977-78	*	*	*	*		*
1978-79	*	*	*	*	Jan 31	*
1979-80	8,310.0	19.3	252.7	179,251	Feb 14	11,000
1980-81	*	*	*	*		*
1981-82	433.0	31.4	74.5	53,942	Mar 14	1,260
1982-83	5,900.0	43.4	221.0	159,961	Mar 01	13,400
1983-84	483.0	32.9	109.0	78,947	Nov 01	4,470
1984-85	488.0	44.2	3.8	84,238	Feb 09	1,480
1985-86	*	*	*	*	Feb 15	3,930
1986-87	1,110.0	32.9	113.3	82,029	Jan 04	4,990
1987-88	727.0	26.0	108.4	78,667	Dec 04	2,220
1988-89	406.0	33.3	91.0	65,899	Dec 25	2,080
1989-90	880.0	4.3	81.0	58,661	Feb 17	1,610
1990-91	813.0	25.7	78.2	56,581	Mar 01	1,610
1991-92	2,000.0	28.4	107.0	77,647	Feb 12	6,330
1992-93	6,480.0	19.8	389.0	269,000	Feb 19	10,100

M Data Missing
 * Record incomplete
 E Estimate
 N.D. Not determined
 ** Record not Computed
 + Less than 0.05 Acre Feet or less than 0.05 CFS, but greater than 0

RUNOFF – STREAM GAGING STATION PEAK FLOW

SAN GABRIEL RIVER *above* Spring Street
STATION NO. F42B-R

Season	Daily CFS			Total Runoff (Acre-feet)	Peak Inflow	
	Maximum	Minimum	Mean		Date	CFS
1993-94	*	*	*	*		*
1994-95	3,230.0	33.3	173.0	125,400	Mar 11	10,200
1995-96	1,120.0	25.8	112.0	81,050	Feb 20	4,330
1996-97	738.0	51.0	143.0	97,910	Dec 11	2,410
1997-98	5,550.0	57.0	276.0	199,900	Feb 07	12,500
1998-99	290.0	52.0	136.0	98,720	Apr 11	1,120
1999-00	414.0	59.0	126.0	91,220	Mar 08	2,240
2000-01	2,010.0	27.0	159.0	115,200	Jan 11	8,480
2001-02	845.6	1.6	112.0	80,817.7	Nov 24	4,065
2002-03	1,625.5	33.4	96.1	132,237.7	Feb 12	5,190
2003-04	1,595.3	44.6	157.0	114,093.6	Feb 26	5,780
2004-05	6,230.0	21.0	323.0	234,000.0	Feb 20	10,100

M	Data Missing
*	Record incomplete
E	Estimate
N.D.	Not determined
**	Record not Computed
+	Less than 0.05 Acre Feet or less than 0.05 CFS, but greater than 0

RUNOFF – STREAM GAGING STATION PEAK FLOW

**SAN JOSE CHANNEL *below* Seventh Avenue
STATION NO. F312B-R**

Season	Daily CFS			Total Runoff (Acre-feet)	Peak Inflow	
	Maximum	Minimum	Mean		Date	CFS
1955-56	1,830.0	0.0	5.6	4,070	Jan 26	5,180
1956-57	190.0	0.0	1.1	795.0	Mar 01	1,410
1957-58	1,210.0	0.0	19.4	14,060	Apr 07	3,990
1958-59	487.0	0.0	4.4	3,210	Jan 06	2,720
1959-60	253.0	0.0	4.7	3,430	Apr 27	1,380
1960-61	103.0	0.0	0.6	403.0	Jan 26	429
1961-62	1,220.0	0.0	13.2	9,540	Feb 11	3,800
1962-63	581.0	0.0	7.6	5,530	Mar 16	1,940
1963-64	483.0	+	6.8	4,900	Jan 22	1,250
1964-65	1,080.0	0.0	14.0	10,110	Apr 09	4,540
1965-66	1,640.0	+	21.1	15,290	Dec 29	5,220
1966-67	2,290.0	2.8	36.3	26,260	Jan 24	10,200
1967-68	2,180.0	6.4	24.6	17,870	Mar 08	10,100
1968-69	4,370.0	9.3	73.2	52,980	Feb 25	9,710
1969-70	898.0	8.0	28.7	20,490	Mar 04	3,930
1970-71	1,180.0	5.0	22.4	16,190	Dec 21	4,400
1971-72	988.0	3.9	17.4	12,650	Dec 24	3,720
1972-73	1,820.0	7.0	38.4	27,830	Feb 13	6,440
1973-74	1,970.0	8.0	33.3	24,060	Jan 04	4,900
1974-75	1,260.0	5.2	64.4	46,650	Dec 04	9,620
1975-76	1,200.0	5.0	25.6	18,310	Sep 10	5,000
1976-77	816.0	3.0	23.2	16,820	Aug 17	3,580
1977-78	2,740.0	5.0	74.0	53,613	Mar 04	11,100
1978-79	2,420.0	5.6	43.9	31,812	Jan 31	7,330
1979-80	3,150.0	6.3	81.4	57,830	Feb 18	13,000
1980-81	1,240.0	12.6	96.2	69,674	Mar 01	4,810
1981-82	1,140.0	8.6	34.1	24,673	Mar 14	5,790
1982-83	2,720.0	11.8	65.8	47,646	Feb 27	19,200
1983-84	1,050.0	8.6	28.3	20,538	Oct 01	5,060
1984-85	927.0	8.6	38.6	27,929	Dec 18	5,330
1985-86	1,850.0	10.2	51.8	37,499	Feb 15	7,250
1986-87	1,900.0	7.8	38.4	27,787	Jan 04	6,980

M Data Missing
 * Record incomplete
 E Estimate
 N.D. Not determined
 ** Record not Computed
 + Less than 0.05 Acre Feet or less than 0.05 CFS, but greater than 0

RUNOFF – STREAM GAGING STATION PEAK FLOW

SAN JOSE CHANNEL *below* Seventh Avenue
STATION NO. F312B-R

Season	Daily CFS			Total Runoff (Acre-feet)	Peak Inflow	
	Maximum	Minimum	Mean		Date	CFS
1987-88	1,700.0	6.3	35.3	25,633	Jan 17	7,850
1988-89	1,100.0	7.4	59.2	42,258	Dec 21	4,800
1989-90	3,060.0	7.8	80.6	58,322	Feb 17	7,700
1990-91	1,960.0	7.1	68.0	48,938	Mar 01	7,270
1991-92	2,370.0	7.3	83.0	60,221	Feb 11	16,800
1992-93	4,370.0*	7.0*	*	*	Jan 07	20,200
1993-94	*	*	*	*		*
1994-95	2,480.0	22.7	105.0	75,660	Jan 10	11,400
1995-96	1,630.0	0.0	44.4	32,260	Feb 20	10,100
1996-97	868.0	1.8	40.4	29,240	Jan 25	4,440
1997-98	1,760.0	11.0	70.7	51,170	Feb 07	14,500
1998-99	314.0	3.4	26.1	18,980	Nov 28	2,150
1999-00	1,220.0	6.9	81.1	58,900	Apr 18	6,480
2000-01	3,320.0E	6.9*	83.5E	60,440E		N.D.
2001-02	1,025.1	8.9	74.3	53,896.8	Nov 24	11,784
2002-03	1,983.2	8.0	61.7	44,691.3	Dec 16	9,720
2003-04	1,842.5	1.9	53.0	38,387.9	Feb 26	7,980
2004-05	2,390.0	9.2	114.0	82,700.0	Feb 19	10,500

M	Data Missing
*	Record incomplete
E	Estimate
N.D.	Not determined
**	Record not Computed
+	Less than 0.05 Acre Feet or less than 0.05 CFS, but greater than 0

RUNOFF – STREAM GAGING STATION PEAK FLOW

SANTA ANITA WASH @ Longden Avenue
STATION NO. F193B-R

Season	Daily CFS			Total Runoff (Acre-feet)	Peak Inflow	
	Maximum	Minimum	Mean		Date	CFS
1959-60	55.0	+	0.6	465.0	Apr 27	534
1960-61	33.0	0.0	0.3	216.0	Nov 12	314
1961-62	693.0	0.0	8.2	5,910	Feb 11	1,780
1962-63	101.0	0.0	1.0	709.0	Feb 09	621
1963-64	47.0	0.0	0.9	650.0	Nov 20	581
1964-65	63.0	0.0	1.4	985.0	Apr 09	518
1965-66	541.0	+	12.0	8,730	Dec 29	1,380
1966-67	613.0	+	16.0	11,570	Dec 06	1,180
1967-68	111.0	+	1.7	1,230	Nov 19	816
1968-69	2,760.0	+	46.9	33,930	Jan 25	6,850
1969-70	150.0	+	3.2	2,300	Mar 02	1,290
1970-71	350.0	+	3.4	2,440	Dec 21	590
1971-72	71.0	0.0	0.4	320.0	Dec 24	324
1972-73	595.0	0.0	5.9	4,270	Feb 27	1,630
1973-74	158.0	+	2.9	2,090	Jan 07	518
1974-75	95.0	0.0	1.2	875.0	Dec 04	943
1975-76	82.0	0.0	1.5	1,060	Sep 11	766
1976-77	46.0	0.0	1.0	752.0	Oct 23	694
1977-78	877.0	0.0	35.5	25,720	Feb 10	2,350
1978-79	1,160.0	0.1	12.4	8,978	Feb 21	1,730
1979-80	1,690.0	0.1	72.1	51,148	Jan 29	2,090
1980-81	121.0	0.0	1.3	963.0	Jan 29	1,100
1981-82	176.0	0.0	3.4	2,485	Mar 17	1,060
1982-83	958.0	0.0	79.5	57,533	Mar 02	2,240
1983-84	143.0	0.1	8.9	6,453	Nov 01	656
1984-85	92.7	0.0	3.0	2,142	Dec 19	517
1985-86	104.0	0.2	6.9	4,987	Feb 14	379
1986-87	27.3	0.0	0.6	454.0	Oct 02	858
1987-88	82.0	0.0	1.6	1,156	Jan 17	858
1988-89	42.2	0.0	1.0	717.0	Dec 16	180
1989-90	76.6	0.0	0.8	617.0	Jan 13	463
1990-91	104.0	0.0	2.2	1,602	Mar 01	490

M	Data Missing
*	Record incomplete
E	Estimate
N.D.	Not determined
**	Record not Computed
+	Less than 0.05 Acre Feet or less than 0.05 CFS, but greater than 0

RUNOFF – STREAM GAGING STATION PEAK FLOW

SANTA ANITA WASH @ Longden Avenue
STATION NO. F193B-R

Season	Daily CFS			Total Runoff (Acre-feet)	Peak Inflow	
	Maximum	Minimum	Mean		Date	CFS
1991-92	498.0	0.0	19.2	13,964	Feb 12	1,320
1992-93	552.0	0.0	35.7	25,860	Jan 18	1,370
1993-94	354.0	0.0	2.2	1,623	Apr 27	404
1994-95	375.0	0.0	19.2	13,920	Jan 10	1,070
1995-96	299.0	0.0	4.5	3,257	Jan 31	1,550
1996-97	89.0	+	5.7	4,110	Jan 26	443
1997-98	910.0	+	22.1	16,010	Feb 06	883
1998-99	34.0	0.0	1.0	717.0	Jan 26	230
1999-00	71.0	+	2.1	1,510	Feb 21	581
2000-01	86.0	+	2.9	2,110	Jan 11	430
2001-02	43.5	0.0	1.1	813.1	Nov 24	611
2002-03	113.5	0.0	2.7	1,922.2	Feb 13	741
2003-04	137.9	0.0	1.7	1,260.2	Feb 26	664
2004-05	1,650.0	0.0	42.8	31,000.0	Jan 10	2,610

M	Data Missing
*	Record incomplete
E	Estimate
N.D.	Not determined
**	Record not Computed
+	Less than 0.05 Acre Feet or less than 0.05 CFS, but greater than 0

RUNOFF – STREAM GAGING STATION PEAK FLOW

SANTA ANITA WASH *below* Foothill Blvd.
 STATION NO. F260C-R

Season	Daily CFS			Total Runoff (Acre-feet)	Peak Inflow	
	Maximum	Minimum	Mean		Date	CFS
1935-36	0.0	0.0	0.0			
1936-37	140.0	0.0	10.0	6,448.3	Feb 15	174
1937-38	468.0	0.0	3.4	2,330.0		
1938-39	46.0	0.0	2.0	1,471.3	Jan 05	128
1939-40	58.0	0.0	1.6	1,062.3	Jan 08	248
1940-41	262.0	0.0	18.1	12,930.8	Mar 04	482
1941-42	26.0	0.0	1.0	692.6	Dec 29	65
1942-43	2,130.0	0.0	30.0	21,674.2	Jan 23	3,800
1943-44	395.0	0.0	8.7	6,139.4	Feb 22	747
1944-45	92.0	0.0	2.3	1,540.0	Jun 25	225
1945-46	182.0	0.0	2.0	1,479.5	Dec 23	350
1946-47	144.0	0.0	3.4	2,488.7	Dec 29	289
1947-48	N.D.					
1948-49	N.D.					
1949-50	N.D.					
1950-51	N.D.					
1951-52	N.D.					
1952-53	N.D.					
1953-54	N.D.					
1954-55	N.D.					
1955-56	N.D.					
1956-57	N.D.					
1957-58	254.0	0.0	8.9	6,316.6		
1958-59	66.0	0.0	0.7	474.8	Jan 06	1,000
1959-60	10.2	0.0	0.2	161.3	Jan 11	194
1960-61	9.5	0.0	0.1	96.2	Nov 05	257
1961-62	584.0	0.0	7.3	4,982.9	Feb 11	1,440
1962-63	43.0	0.0	0.6	408.2	Feb 09	257
1963-64	32.0	0.0	0.6	423.3	Jan 22	335
1964-65	27.0	0.0	0.6	446.5	Apr 16	267
1965-66	481.0	0.0	10.5	7,589.0	Dec 29	1,260
1966-67	489.0	0.0	14.8	10,772.2	Dec 06	914

M Data Missing
 * Record incomplete
 E Estimate
 N.D. Not determined
 ** Record not Computed
 + Less than 0.05 Acre Feet or less than 0.05 CFS, but greater than 0

RUNOFF – STREAM GAGING STATION PEAK FLOW

SANTA ANITA WASH *below* Foothill Blvd.
STATION NO. F260C-R

Season	Daily CFS			Total Runoff (Acre-feet)	Peak Inflow	
	Maximum	Minimum	Mean		Date	CFS
1967-68	N.D.					
1968-69	N.D.					
1969-70	N.D.					
1970-71	N.D.					
1971-72	N.D.					
1972-73	N.D.					
1973-74	N.D.					
1974-75	43.0	0.0	0.5	378.8	Dec 04	477
1975-76	53.5	0.0	0.8	583.5	Feb 09	209
1976-77	35.9	0.0	0.6	414.7	Oct 23	437
1977-78	937.0	0.0	41.6	30,147.0	Feb 10	2,030
1978-79	29.3	0.0	2.3	1,685.8	Feb 21	335
1979-80	N.D.					
1980-81	39.5	0.0	0.9	652.0	Mar 19	411
1981-82	100.0	0.0	2.8	2,019.2	Mar 17	346
1982-83	773.0	0.0	30.2	21,839.8	Mar 02	1,340
1983-84	61.5	0.0	5.7	4,150.8	Nov 01	398
1984-85	110.0	0.0	4.5	3,282.6	Dec 19	378
1985-86	913.0	0.0	0.0	0.0		
1986-87	64.3	0.0	2.0	1,415.2	Jan 04	424
1987-88	40.8	0.0	1.3	938.8	Jan 17	975
1988-89	22.4	0.0	1.0	673.8	Dec 16	91
1989-90	28.0	0.0	0.7	537.1	Feb 17	189
1990-91	52.7	0.0	0.8	570.0	Feb 28	323
1991-92	593.0	0.0	27.7	20,116.0	Feb 12	1,110
1992-93	572.0	0.0	33.8	24,439.1	Jan 18	905
1993-94	59.2	0.0	5.8	4,192.3	Feb 17	175
1994-95	215.0	0.0	15.7	11,368.9	Mar 10	517
1995-96	236.0	0.0	9.4	5,846.3		
1996-97	86.0	0.0	4.8	3,454.6	Jan 26	252
1997-98	429.0	0.0	11.6	8,366.7		N.D.
1998-99	3.0	0.0	0.1	49.4	Jan 26	76

M Data Missing
 * Record incomplete
 E Estimate
 N.D. Not determined
 ** Record not Computed
 + Less than 0.05 Acre Feet or less than 0.05 CFS, but greater than 0

RUNOFF – STREAM GAGING STATION PEAK FLOW

SANTA ANITA WASH *below* Foothill Blvd.
 STATION NO. F260C-R

Season	Daily CFS			Total Runoff (Acre-feet)	Peak Inflow	
	Maximum	Minimum	Mean		Date	CFS
1999-00	63.0	0.0	1.7	1,257.5	Feb 21	479
2000-01	89.0	0.0	1.3	930.0	Jun 28	264
2001-02	2.2	0.0	0.6	426.3	Nov 24	22
2002-03	3.5	0.0	0.1	9.7	Mar 15	195
2003-04	64.2	0.0	0.8	565.9	Feb 26	331
2004-05	1,210.0	0.0	23.6	17,100.0	Jan 10	1,740

M	Data Missing
*	Record incomplete
E	Estimate
N.D.	Not determined
**	Record not Computed
+	Less than 0.05 Acre Feet or less than 0.05 CFS, but greater than 0

RUNOFF – STREAM GAGING STATION PEAK FLOW

SANTA CLARA RIVER @ Old Road Bridge
STATION NO. F92C-R

Season	Daily CFS			Total Runoff (Acre-feet)	Peak Inflow	
	Maximum	Minimum	Mean		Date	CFS
1930-31	291.0	0.1	2.6	1,890	07-Feb	2,310
1931-32	739.0	0.1	5.9	4,280	09-Feb	2,090
1932-33	90.0	0.0	0.7	488	19-Jan	618
1933-34	448.0	+	2.2	1,600	01-Jan	3,870
1934-35	82.0	+	1.5	1,090	05-Jan	608
1935-36	113.0	0.0	2.2	1,590	23-Feb	833
1936-37	471.0	0.0	6.7	4,850	27-Dec	3,410
1937-38	6,370.0	+	37.2	26,900	02-Mar	24,000E
1938-39	435.0E	+	14.4	10,410	15-Dec	4,620
1939-40	79.0	0.3	2.2	1,570	01-Feb	676
1940-41	3,450.0	0.3	57.1	41,320	04-Mar	5,050
1941-42	167.0	0.6	32.3	23,400	28-Dec	443
1942-43	5,420.0	1.4	65.2	47,170	23-Jan	15,000
1943-44	9,360.0	2.0	68.6	49,770	22-Feb	22,200
1944-45	110.0	2.2	15.3	11,050	02-Feb	317
1945-46	194.0	0.4	8.9	6,440	30-Mar	500
1946-47	371.0	1.0	15.4	11,150	26-Dec	1,620
1947-48	33.0E	0.8	3.1	2,270	24-Mar	350E
1948-49	4.9	0.4	1.8	1,300	11-Mar	10
1949-50	5.2	0.1	1.2	888	06-Feb	9
1950-51	2.0	+	0.3	217	29-Jan	6
1951-52	1,620.0	+	23.1	16,760	16-Jan	7,600
1952-53	43.0	0.1	0.8	592	01-Dec	N.D.
1953-54	104.0	+	1.6	1,160	19-Jan	626
1954-55	96.0	+	0.8	612	18-Jan	746
1955-56	184.0	+	1.4	1,000	26-Jan	344
1956-57	195.0	0.0	1.4	1,020	28-Feb	1,920
1957-58	1,440.0	0.0	14.7	10,620	03-Apr	3,850
1958-59	215.0	0.0	1.3	940	06-Jan	1,410
1959-60	12.0	0.0	0.4	288	27-Apr	151
1960-61	58.0	0.0	0.7	533	05-Nov	830

M	Data Missing
*	Record incomplete
E	Estimate
N.D.	Not determined
**	Record not Computed
+	Less than 0.05 Acre Feet or less than 0.05 CFS, but greater than 0

RUNOFF – STREAM GAGING STATION PEAK FLOW

SANTA CLARA RIVER @ Old Road Bridge
STATION NO. F92C-R

Season	Daily CFS			Total Runoff (Acre-feet)	Peak Inflow	
	Maximum	Minimum	Mean		Date	CFS
1961-62	1,690.0	0.0	14.5	10,470	12-Feb	4,250
1962-63	105.0	0.0	1.3	965	16-Mar	1,470
1963-64	85.0	0.0	1.1	780	22-Jan	860
1964-65	240.0	0.0	2.1	1,550	08-Apr	1,260
1965-66	3,200.0	0.0	22.0	15,990	29-Dec	11,600
1966-67	820.0	+	9.8	7,100	24-Jan	3,000
1967-68	475.0	0.0	4.2	3,070	24-Jan	2,810
1968-69	N.D.	0.2	**	30,170E	25-Feb	31,800E
1969-70	164.0	1.0	13.3	9,610	01-Mar	900
1970-71	1,830.0	0.5	15.1	10,930	29-Nov	8,150
1971-72	442.0	0.5	9.2	6,640	27-Dec	2,200
1972-73	1,470.0	0.4	13.0	9,450	11-Feb	4,760
1973-74	984.0	1.0	9.1	6,600	07-Jan	2,440
1974-75	187.0	0.9	5.4	3,910	04-Dec	1,120
1975-76	138.0	+	3.7	2,710	10-Sep	999
1976-77	273.0	+	3.8	2,750	08-May	2,510
1977-78	*	*	*	*	10-Feb	*
1978-79	605.0	1.0	16.0	11,617	28-Mar	3,370
1979-80	*	*	*	*		*
1980-81	NO RECORD					
1981-82	NO RECORD					
1982-83	5,214.0	0.8	113.8	83,154	01-Mar	14,925
1983-84	*	*	*	*		*
1984-85	295.0	1.0	18.8	13,558	19-Dec	1,820
1985-86	492.0	7.5	24.7	17,896	14-Feb	1,050
1986-87	71.3	5.2	14.3	10,197	18-Nov	444
1987-88	485.0	0.0	16.5	11,981	04-Dec	1,450
1988-89	145.0	3.7	11.9	8,535	16-Dec	876
1989-90	18.0	4.9	12.2	8,864	17-Feb	523
1990-91	604.0	2.4	13.9	10,058	01-Mar	2,750
1991-92	*	*	*	*		*

M	Data Missing
*	Record incomplete
E	Estimate
N.D.	Not determined
**	Record not Computed
+	Less than 0.05 Acre Feet or less than 0.05 CFS, but greater than 0

RUNOFF – STREAM GAGING STATION PEAK FLOW

SANTA CLARA RIVER @ Old Road Bridge
 STATION NO. F92C-R

Season	Daily CFS			Total Runoff (Acre-feet)	Peak Inflow	
	Maximum	Minimum	Mean		Date	CFS
1992-93	*	*	*	*		*
1993-94	*	*	*	*		*
1994-95	*	*	*	*		*
1995-96	*	*	*	*		*
1996-97	181.0	1.9	8.6	6,190	22-Dec	2,000
1997-98	7,080.0	1.3	89.2	53,800	23-Feb	19,000
1998-99	136.0	4.3	15.7	11,330	31-Jan	1,610
1999-00	1,300.0	3.0	18.7	13,600	23-Feb	8,770
2000-01	27.0	2.6	7.8	5,620	24-Jan	30
2001-02	17.0	2.2	5.2	2,350.0	17-Feb	38
2002-03	0	0	13.1	0	12-Feb	7,290
2003-04	990	0.42	6.8	4940	26-Feb	5900
2004-05	7580	0.65	125	90270	09-Jan	20900

M Data Missing
 * Record incomplete
 E Estimate
 N.D. Not determined
 ** Record not Computed
 + Less than 0.05 Acre Feet or less than 0.05 CFS, but greater than 0

RUNOFF – STREAM GAGING STATION PEAK FLOW

SANTA FE DIVERSION CHANNEL *below* Santa Fe Dam
 STATION NO. F280-R

Season	Daily CFS			Total Runoff (Acre-feet)	Peak Inflow	
	Maximum	Minimum	Mean		Date	CFS
1943-44	253.0	0.0	20.9	15,180	May 18	253
1944-45	0.0	0.0	0.0	0.0		0
1945-46	479.0	0.0	31.2	22,610	Sep 13	484
1946-47	446.0	0.0	16.8	12,200	Nov 27	484
1947-48	786.0	0.0	10.9	7,880	Jun 04	800
1948-49	0.0	0.0	0.0	0.0		0
1949-50	0.0	0.0	0.0	0.0		0
1950-51	0.0	0.0	0.0	0.0		0
1951-52	381.0	0.0	3.2	2,280	Mar 16	732
1952-53	819.0	0.0	10.7	7,720	Nov 03	839
1953-54	750.0	0.0	11.5	8,350	May 07	752
1954-55	0.0	0.0	0.0	0.0		0
1955-56	0.0	0.0	0.0	0.0		0
1956-57	452.0	0.0	4.7	3,400	Apr 16	455
1957-58	621.0	0.0	27.0	19,530	Apr 04	635
1958-59	0.0	0.0	0.0	0.0		0
1959-60	0.0	0.0	0.0	0.0		0
1960-61	0.0	0.0	0.0	0.0		0
1961-62	547.0	0.0	12.7	9,190	Feb 12	819
1962-63	0.0	0.0	0.0	0.0		0
1963-64	0.0	0.0	0.0	0.0		0
1964-65	+	0.0	+	+	Sep 08	1
1965-66	348.0	0.0	10.4	7,540	Jan 07	425
1966-67	227.0	0.0	21.3	15,470	Dec 18	236
1967-68	0.8	0.0	+	33.0	Nov 20	1
1968-69	268.0	0.0	33.6	24,340	Apr 15	290
1969-70	55.0	0.0	1.9	1,360	Mar 03	202
1970-71	90.0	0.0	3.4	2,430	Dec 24	92
1971-72	95.0	0.0	1.0	697.0	Jan 19	116
1972-73	222.0	0.0	13.0	9,410	Feb 21	280
1973-74	233.0	0.0	6.4	4,650	Apr 16	241
1974-75	24.0	0.0	0.6	466.0	Apr 22	27
1975-76	0.0	0.0	0.0	0.0		0

M Data Missing
 * Record incomplete
 E Estimate
 N.D. Not determined
 ** Record not Computed
 + Less than 0.05 Acre Feet or less than 0.05 CFS, but greater than 0

RUNOFF – STREAM GAGING STATION PEAK FLOW

SANTA FE DIVERSION CHANNEL *below* Santa Fe Dam
STATION NO. F280-R

Season	Daily CFS			Total Runoff (Acre-feet)	Peak Inflow	
	Maximum	Minimum	Mean		Date	CFS
1976-77	23.5	0.0	2.0	1,439	Aug 17	52
1977-78	*	*	56.2	40,699	Apr 21	432
1978-79	148.0	0.0	16.7	12,113	May 01	195
1979-80	388.0	0.0	48.3	34,730	Mar 02	440
1980-81	370.0	0.0	19.8	14,360	Nov 20	384
1981-82	268.0	0.0	18.0	13,050	Jun 17	284
1982-83	365.0	0.0	49.9	36,043	Jul 13	400
1983-84	382.0	0.0	23.1	16,768	Oct 14	453
1984-85	31.7	0.0	0.4	278.0	Dec 19	57
1985-86	378.0	0.0	40.2	29,110	Feb 27	391
1986-87	4.7	0.0	1.9	115.0	Nov 18	7
1987-88	424.0	0.0	11.5	8,362	Jun 09	429
1988-89	7.0	0.0	0.4	302.0	May 11	11
1989-90	0.0	0.0	0.0	0.0		0
1990-91	547.0	0.0	23.5	16,782	Jul 31	566
1991-92	428.0	0.0	50.2	36,405	Feb 04	450
1992-93	193.0	0.0	42.0	30,370	Aug 09	215
1993-94	72.0	0.0	2.1	1,511	Jul 29	129
1994-95	410.0	0.0	23.5	17,050	Dec 04	414
1995-96	385.0	0.0	35.8	25,988	Oct 05	397
1996-97	393.0	0.0	19.6	14,220	Jul 22	407
1997-98	452.0	0.0	23.5	17,010	May 19	467
1998-99	113.0	0.0	2.2	1,570	Feb 10	225
1999-00	0.0	0.0	0.0	0.0		0
2000-01	16.0	0.0	0.7	470.0	Jan 08	179
2001-02	16.8	0.0	0.3	217.3	Jan 16	22
2002-03	208.1	0.0	2.2	1,562.4	Aug 12	326
2003-04	51.9	0.0	0.8	605.0	Oct 09	56
2004-05	520.0	0.0	46.0	33,300.0	Mar 09	540

M	Data Missing
*	Record incomplete
E	Estimate
N.D.	Not determined
**	Record not Computed
+	Less than 0.05 Acre Feet or less than 0.05 CFS, but greater than 0

RUNOFF – STREAM GAGING STATION PEAK FLOW

SANTIAGO CREEK *above* Little Rock Creek
STATION NO. F125-R

Season	Daily CFS			Total Runoff (Acre-feet)	Peak Inflow	
	Maximum	Minimum	Mean		Date	CFS
1953-54	24.0	0.0	0.9	631.0	Jan 25	44
1954-55	13.0	0.0	0.8	602.0	Feb 17	16
1955-56	41.0	0.0	0.6	406.0	Jan 26	87
1956-57	6.8	0.0	0.3	199.0	Jan 13	15
1957-58	58.0	0.0	3.2	2,280	Apr 03	107
1958-59	10.0	0.0	0.5	386.0	Feb 16	21
1959-60	1.3	0.0	0.1	75.0	Feb 02	2
1960-61	+	0.0	+	+	Aug 05	1
1961-62	118.0	0.0	1.3	945.0	Feb 11	199
1962-63	0.9	0.0	+	19.0	Apr 21	1
1963-64	0.4	0.0	+	10.0	Apr 02	1
1964-65	3.5	0.0	0.1	87.0	Apr 20	4
1965-66	78.0	0.0	1.3	926.0	Dec 29	269
1966-67	38.0	0.0	1.4	982.0	Dec 06	66
1967-68	9.5	0.0	0.5	380.0	Nov 21	17
1968-69	345.0	0.0	5.8	4,170	Jan 25	1,140
1969-70	14.0	0.0	0.6	455.0	Mar 01	21
1970-71	7.2	0.0	0.4	290.0	Nov 29	22
1971-72	3.2	0.0	0.1	75.0	Dec 24	5
1972-73	72.0	0.0	0.9	640.0	Feb 11	175
1973-74	4.3	0.0	0.2	144.0	Jan 17	6
1974-75	3.8	0.0	0.2	121.0	Mar 06	6
1975-76	14.0	0.0	0.1	55.0	Sep 24	1,060
1976-77	5.5	0.0	0.1	83.0	May 09	9
1977-78	*	*	*	*	Feb 09	*
1978-79	23.0	0.0	1.4	986.0	Mar 28	303
1979-80	67.0	0.0	3.1	2,227	Feb 16	193
1980-81	2.8	0.0	0.2	158.0		N.D.
1981-82	30.0	0.0	0.8	602.0		N.D.
1982-83	152.0	0.0	5.6	4,022	Mar 01	280
1983-84	11.2	0.0	1.0	711.0	Dec 25	26
1984-85	40.3	0.0	0.5	347.0	Dec 19	103
1985-86	13.7	0.0	0.5	337.0	Jan 30	24

M Data Missing
 * Record incomplete
 E Estimate
 N.D. Not determined
 ** Record not Computed
 + Less than 0.05 Acre Feet or less than 0.05 CFS, but greater than 0

RUNOFF – STREAM GAGING STATION PEAK FLOW

SANTIAGO CREEK *above* Little Rock Creek
STATION NO. F125-R

Season	Daily CFS			Total Runoff (Acre-feet)	Peak Inflow	
	Maximum	Minimum	Mean		Date	CFS
1986-87	0.7	0.0	+	11.0	Mar 07	1
1987-88	17.0	0.0	3.3	204.0		N.D.
1988-89	10.9	0.0	2.9	165.0	Feb 09	86
1989-90	0.0	0.0	0.0	0.0		0
1990-91	19.7	0.0	0.2	109.0		N.D.
1991-92	50.8	0.0	0.9	627.0	Feb 12	97
1992-93	177.0	0.0	5.9	4,266	Feb 19	235
1993-94	1.5	0.0	0.3	248.0	Feb 14	2
1994-95	76.5	0.0	1.9	1,379	Mar 11	90
1995-96	55.6	0.0	0.5	335.0	Mar 05	75
1996-97	12.0	0.0	0.2	120.0	Jan 26	19
1997-98	121.0	0.0	4.2	3,050	Feb 23	317
1998-99	2.8	0.0	0.3	246.0	Jul 13	5
1999-00	6.1	0.0	0.1	98.0	Apr 18	7
2000-01	23.0	0.0	0.6	454.0	Mar 06	37
2001-02	N.D.					
2002-03	0.0	0.0	0.3	0.0	Feb 12	52
2003-04	5.6	0.0	0.1	32.0	Feb 26	21
2004-05	236.0	0.0	6.2	4,440.0	Feb 21	470

M Data Missing
 * Record incomplete
 E Estimate
 N.D. Not determined
 ** Record not Computed
 + Less than 0.05 Acre Feet or less than 0.05 CFS, but greater than 0

RUNOFF – STREAM GAGING STATION PEAK FLOW

SAWPIT CREEK *below* Sawpit Dam
 STATION NO. F278-R

Season	Daily CFS			Total Runoff (Acre-feet)	Peak Inflow	
	Maximum	Minimum	Mean		Date	CFS
1941-42	1.3	0.0	0.1	30.3	Mar 13	3
1942-43	186.0	0.0	4.0	2,859.6	Jan 23	284
1943-44	50.0	0.0	1.0	667.4	Feb 22	67
1944-45	N.D.					
1945-46	21.0	0.0	0.2	169.2	Dec 23	36
1946-47	18.0	0.0	0.5	328.9	Dec 26	26
1947-48	N.D.					
1948-49	N.D.					
1949-50	N.D.					
1950-51	N.D.					
1951-52	N.D.					
1952-53	N.D.					
1953-54	N.D.					
1954-55	N.D.					
1955-56	N.D.					
1956-57	N.D.					
1957-58	N.D.					
1958-59	N.D.					
1959-60	N.D.					
1960-61	N.D.					
1961-62	N.D.					
1962-63	N.D.					
1963-64	N.D.					
1964-65	N.D.					
1965-66	N.D.					
1966-67	N.D.					
1967-68	N.D.					
1968-69	N.D.					
1969-70	N.D.					
1970-71	N.D.					
1971-72	N.D.					
1972-73	N.D.					

M Data Missing
 * Record incomplete
 E Estimate
 N.D. Not determined
 ** Record not Computed
 + Less than 0.05 Acre Feet or less than 0.05 CFS, but greater than 0

RUNOFF – STREAM GAGING STATION PEAK FLOW

SAWPIT CREEK *below* Sawpit Dam
STATION NO. F278-R

Season	Daily CFS			Total Runoff (Acre-feet)	Peak Inflow	
	Maximum	Minimum	Mean		Date	CFS
1973-74	N.D.					
1974-75	5.7	0.5	1.3	921.3	Oct 04	9
1975-76	6.1	0.2	0.9	646.0	Sep 11	20
1976-77	5.9	0.2	0.8	603.2	Oct 22	36
1977-78	87.9	0.2	6.5	4,716.9	Mar 04	132
1978-79	9.9	0.0	2.8	1,984.9	Oct 02	55
1979-80	110.0	0.0	4.8	3,485.2	Feb 06	216
1980-81	4.9	0.0	1.4	1,045.7	Mar 19	9
1981-82	38.6	0.4	1.8	1,307.1	Apr 26	72
1982-83	88.5	0.0	6.2	4,486.2	Mar 01	269
1983-84	15.2	0.0	1.8	1,268.8	May 07	63
1984-85	6.6	0.5	1.3	936.0	Dec 19	14
1985-86	10.1	0.0	1.7	1,204.0	Mar 08	13
1986-87	N.D.					
1987-88	4.2	0.4	1.7	1,192.7		
1988-89	9.5	0.2	1.0	740.4		
1989-90	5.5	0.0	0.8	544.9		
1990-91	34.3	0.0	1.5	1,089.1		
1991-92	43.9	0.4	2.6	1,909.7	Feb 11	59
1992-93	76.6	1.1	8.8	6,392.7	Feb 08	93
1993-94	4.1	1.4	2.1	1,555.2	Jun 22	30
1994-95	79.7	1.5	4.9	3,551.6	Mar 05	85
1995-96	32.0	0.1	3.1	2,247.3	Feb 22	35
1996-97	11.0	1.5	2.7	1,952.1	Jan 26	14
1997-98	89.0	1.7	4.2	3,039.1	Feb 24	143
1998-99	3.2	0.7	2.2	1,579.8	Jun 02	50
1999-00*	4.3	0.7	1.7	1,261.9	May 03	6
2000-01	8.1E	0.45E	1.47E	1060E	Feb 13	15
2001-02	1.8	0.1	1.0	694.6	Jan 27	8
2002-03	10.1	0.3	1.4	982.7	Feb 12	28
2003-04	13.0	0.3	1.0	359.8	Feb 26	45
2004-05	184.0	0.1	5.6	4,030.0	Jan 09	260

M	Data Missing
*	Record incomplete
E	Estimate
N.D.	Not determined
**	Record not Computed
+	Less than 0.05 Acre Feet or less than 0.05 CFS, but greater than 0

RUNOFF – STREAM GAGING STATION PEAK FLOW

SAWPIT WASH *below* Live Oak Avenue
STATION NO. F194B-R

Season	Daily CFS			Total Runoff (Acre-feet)	Peak Inflow	
	Maximum	Minimum	Mean		Date	CFS
1960-61	50.0	+	*	263*	Jan 26	420
1961-62	573.0	+	16.6	11,980	Feb 11	1,300
1962-63	137.0	+	1.6	1,180	Feb 09	690
1963-64	83.0	+	1.6	1,190	Jan 22	682
1964-65	95.0	+	2.1	1,500	Apr 09	1,290
1965-66	243.0	+	7.3	9,240	Dec 29	1,470
1966-67	298.0	+	22.0	16,020	Dec 03	1,120
1967-68	130.0	+	2.1	1,520	Nov 19	1,870
1968-69	1,270.0	+	53.7	38,870	Jan 25	3,960
1969-70	773.0	0.0	6.7	4,830	Feb 28	2,800
1970-71	196.0	+	5.8	4,190	Nov 29	1,350
1971-72	142.0	0.1	2.0	1,450	Dec 24	519
1972-73	381.0	0.0	16.8	12,130	Feb 27	2,860
1973-74	265.0	0.1	9.0	6,490	Jan 07	652
1974-75	180.0	+	2.8	2,010	Dec 04	2,140
1975-76	101.0	0.1	1.8	1,310	Sep 11	1,790
1976-77	118.0	0.1	3.8	2,732	Oct 23	1,090
1977-78	*	*	*	*	Feb 10	*
1978-79	160.0	0.2	20.3	14,687	Feb 21	1,280
1979-80	886.0	0.2	50.2	35,952	Feb 16	3,940
1980-81	376.0	0.0	23.1	16,742	Jan 29	900
1981-82	257.0	0.1	18.1	13,029	Mar 17	1,560
1982-83	530.0	0.1	56.4	40,867	Mar 01	2,890
1983-84	294.0	0.0	20.4	14,767	Oct 01	1,210
1984-85	122.0	0.0	2.6	1,873	Dec 19	801
1985-86	*	*	*	*		*
1986-87	99.2	0.1	1.2	857.0	Oct 02	1,070
1987-88	385.0	0.0	12.9	9,344	Dec 04	1,630
1988-89	75.8	0.0	1.6	1,167	Dec 16	555
1989-90	147.0	0.0	1.3	909.0	Jan 13	707
1990-91	331.0	0.0	17.3	12,646	Aug 08	375
1991-92	325.0	0.0	36.8	26,730	Feb 11	1,710

M	Data Missing
*	Record incomplete
E	Estimate
N.D.	Not determined
**	Record not Computed
+	Less than 0.05 Acre Feet or less than 0.05 CFS, but greater than 0

RUNOFF – STREAM GAGING STATION PEAK FLOW

SAWPIT WASH *below* Live Oak Avenue
STATION NO. F194B-R

Season	Daily CFS			Total Runoff (Acre-feet)	Peak Inflow	
	Maximum	Minimum	Mean		Date	CFS
1992-93	352.0	0.0	42.4	30,690	Jan 14	4,160
1993-94	72.2	0.0	3.7	2,671	Mar 19	1,160
1994-95	495.0	0.1	29.2	21,160	Jan 10	1,940
1995-96	530.0	0.2	44.1	32,020	Jan 31	3,580
1996-97	393.0	0.1	22.6	16,350	Jan 26	1,130
1997-98	452.0	0.2	32.6	23,570	Feb 06	2,960
1998-99	142.0	0.2	3.5	2,500	Jan 26	543
1999-00	127.0	0.1	4.1	2,960	Apr 17	1,110
2000-01	187.0	0.1	3.4	2,440	Jan 02	2,200
2001-02	121.5	0.0	1.0	709.5	Nov 24	2,087
2002-03	292.6	0.0	6.1	4,381.8	Mar 15	1,730
2003-04	235.8	0.0	2.9	2,118.4	Feb 26	1,810
2004-05	478.0	0.0	44.3	32,000.0	Feb 19	3,930

M	Data Missing
*	Record incomplete
E	Estimate
N.D.	Not determined
**	Record not Computed
+	Less than 0.05 Acre Feet or less than 0.05 CFS, but greater than 0

RUNOFF – STREAM GAGING STATION PEAK FLOW

THOMPSON CREEK *below* Thomson Creek Dam
STATION NO. F32B-R

Season	Daily CFS			Total Runoff (Acre-feet)	Peak Inflow	
	Maximum	Minimum	Mean		Date	CFS
1945-46	N.D.					
1946-47	N.D.					
1947-48	N.D.					
1948-49	N.D.					
1949-50	N.D.					
1950-51	N.D.					
1951-52	4.6	0.0	0.0	32.5	Mar 17	5
1952-53	N.D.					
1953-54	N.D.					
1954-55	N.D.					
1955-56	N.D.					
1956-57	N.D.					
1957-58	7.3	0.0	0.3	219.2	Apr 05	9
1958-59	N.D.					
1959-60	N.D.					
1960-61	N.D.					
1961-62	N.D.					
1962-63	N.D.					
1963-64	N.D.					
1964-65	N.D.					
1965-66	N.D.					
1966-67	23.0	0.0	0.4	305.1	Dec 06	130
1967-68	N.D.					
1968-69	N.D.					
1969-70	N.D.					
1970-71	N.D.					
1971-72	N.D.					
1972-73	N.D.					
1973-74	N.D.					
1974-75	N.D.					
1975-76	N.D.					
1976-77	N.D.					

M Data Missing
 * Record incomplete
 E Estimate
 N.D. Not determined
 ** Record not Computed
 + Less than 0.05 Acre Feet or less than 0.05 CFS, but greater than 0

RUNOFF – STREAM GAGING STATION PEAK FLOW

THOMPSON CREEK *below* Thomson Creek Dam
STATION NO. F32B-R

Season	Daily CFS			Total Runoff (Acre-feet)	Peak Inflow	
	Maximum	Minimum	Mean		Date	CFS
1977-78	136.0	0.0	1.4	1,038.0	Mar 02	170
1978-79	3.6	0.0	0.1	46.4	May 04	8
1979-80	219.0	0.0	2.2	1,592.3	Feb 17	333
1980-81	N.D.					
1981-82	4.1	0.0	0.0	17.9	Feb 18	8
1982-83	76.5	0.0	0.8	581.4	Mar 02	83
1983-84	3.3	0.0	0.0	11.3	Dec 28	12
1984-85	N.D.					
1985-86	9.6	0.0	0.1	58.5	Mar 16	17
1986-87	N.D.					
1987-88	0.6	0.0	0.0	2.0	Jan 17	1
1988-89	0.3	0.0	0.0	2.4	Feb 04	1
1989-90	37.4	0.0	0.0	0.0	Apr 04	57
1990-91	2.2	0.0	0.0	33.7	Mar 02	3
1991-92	2.2	0.0	0.1	67.2	Feb 10	6
1992-93	54.7	0.0	1.9	1,323.0	Feb 08	113
1993-94	3.7	0.0	0.0	8.0	Nov 01	7
1994-95	25.8	0.0	0.4	299.0	Mar 06	63
1995-96	32.8	0.0	0.6	456.0	Feb 21	35
1996-97	11.0	0.0	0.1	50.0	Jan 29	55
1997-98	74.0	0.0	0.7	522.0	Feb 23	158
1998-99	0.1	0.0	0.0	14.0	Jul 14	0
1999-00	0.4	0.0	0.0	19.0	Apr 18	1
2000-01	1.1	0.0	0.0	4.3	Jan 16	10
2001-02	1.2	0.0	0.0	24.4	Nov 20	1
2002-03	14.0	0.0	1.0	71.3	Mar 16	18
2003-04	38.0	0.0	0.1	268.1	Mar 16	13
2004-05	84.0	0.0	2.3	1,640.0	Feb 21	140

M Data Missing
 * Record incomplete
 E Estimate
 N.D. Not determined
 ** Record not Computed
 + Less than 0.05 Acre Feet or less than 0.05 CFS, but greater than 0

RUNOFF – STREAM GAGING STATION PEAK FLOW

TOPANGA CREEK *above* Mouth of Canyon
 STATION NO. F54C-R

Season	Daily CFS			Total Runoff (Acre-feet)	Peak Inflow	
	Maximum	Minimum	Mean		Date	CFS
1930-31	186.0	+	1.0	705.0	Feb 14	386
1931-32	409.0	+	4.9	3,590	Feb 08	1,250
1932-33	542.0	+	3.1	2,240	Jan 19	1,430
1933-34	1,590.0	0.0	8.9	6,420	Dec 31	4,510
1934-35	130.0	+	1.9	1,360	Jan 05	1,200
1935-36	77.0	+	2.0	1,490	Feb 22	528
1936-37	413.0	+	9.1	6,620	Mar 15	1,130
1937-38	3,270.0	+	21.2	15,310	Mar 02	9,300E
1938-39	NO RECORD					
1939-40	183.0	+	2.9	2,080	Feb 01	1,280
1940-41	1,100.0E	+	26.2	18,940	Feb 20	8,700E
1941-42	47.0	+	0.8	540.0	Dec 28	385
1942-43	1,100.0E	+	12.0	8,720	Jan 22	2,200
1943-44	1,100.0E	0.1	9.6	6,970	Feb 22	5,070
1944-45	176.0	0.1	1.5	1,090	Feb 02	964
1945-46	182.0	+	1.9	1,390	Dec 23	905
1946-47	86.0	+	1.4	994.0	Nov 20	567
1947-48	23.0	0.0	0.2	168.0	Mar 24	276
1948-49	5.0	+	0.1	99.0	Dec 26	63
1949-50	35.0	+	0.5	379.0	Dec 18	275
1950-51	2.4	+	0.1	74.0	Jan 11	21
1951-52	1,990.0	0.0	23.3	16,900	Jan 15	6,050
1952-53	52.0	+	1.0	725.0	Dec 01	702
1953-54	396.0	0.0	2.5	1,820	Feb 13	2,090
1954-55	33.0	+	0.5	354.0	Jan 18	151
1955-56	337.0	+	1.4	1,030	Jan 26	1,540
1956-57	69.0	+	0.5	374.0	Feb 23	655
1957-58	599.0	+	10.4	7,460	Apr 03	3,950
1958-59	141.0	+	1.1	785.0	Jan 06	1,510
1959-60	76.0	+	0.6	422.0	Apr 27	539
1960-61	8.1	+	0.1	58.0	Jan 26	28
1961-62	1,150.0	+	10.7	7,720	Feb 10	2,790

M Data Missing
 * Record incomplete
 E Estimate
 N.D. Not determined
 ** Record not Computed
 + Less than 0.05 Acre Feet or less than 0.05 CFS, but greater than 0

RUNOFF – STREAM GAGING STATION PEAK FLOW

TOPANGA CREEK *above* Mouth of Canyon
STATION NO. F54C-R

Season	Daily CFS			Total Runoff (Acre-feet)	Peak Inflow	
	Maximum	Minimum	Mean		Date	CFS
1962-63	66.0	+	0.6	454.0	Feb 09	569
1963-64	17.0	+	0.2	178.0	Jan 21	196
1964-65	148.0	+	1.2	886.0	Apr 09	716
1965-66	1,120.0	+	10.0	7,270	Dec 29	3,500
1966-67	569.0	0.1	7.0	5,070	Jan 24	2,280
1967-68	186.0	0.1	2.2	1,570	Mar 08	567
1968-69	4,920.0	0.1	40.6	29,400	Jan 25	12,200
1969-70	84.0	0.0	1.2	902.0	Mar 04	844
1970-71	720.0	+	6.3	4,560	Jan 29	3,020
1971-72	110.0	0.2	1.1	809.0	Dec 27	588
1972-73	1,140.0	0.1	8.6	6,250	Feb 11	3,840
1973-74	1,060.0	0.1	5.7	4,110	Jan 07	2,060
1974-75	286.0	0.1	3.0	2,200	Mar 06	1,670
1975-76	24.0	+	0.3	214.0	Feb 09	72
1976-77	30.0	+	0.6	405.0	Jan 03	219
1977-78	2,676.0	0.1	32.4	23,480	Mar 04	10,127
1978-79	425.0	0.2	7.2*	5,180	Mar 27	2,490
1979-80	3,919.0	0.2	33.2	23,236	Feb 16	20,200
1980-81	89.7	0.1	1.8	1,279	Mar 02	219
1981-82	143.8	0.2	1.5	1,066	Mar 17	650
1982-83	2,274.0	0.2	277.0	19,241	Jan 27	10,200
1983-84	203.0	0.2	2.2	1,445	Dec 25	2,612
1984-85	26.3	0.2	1.3	943.0	Dec 26	56
1985-86	823.0	0.2	10.0	7,211	Feb 14	5,135
1986-87	*	*	*	*		*
1987-88	*	*	*	*		*
1988-89	9.7	0.1	0.4	283.0	Dec 21	32
1989-90	*	*	*	*		*
1990-91	Discont	2/90	Restored	10/97.		
1996-97	80.0	0.5	3.0	2,140	Dec 09	229
1997-98	494.0	0.7	24.4	17,640	Feb 23	2,470
1998-99	19.0	0.5	1.2	839.0	Apr 11	93

M Data Missing
 * Record incomplete
 E Estimate
 N.D. Not determined
 ** Record not Computed
 + Less than 0.05 Acre Feet or less than 0.05 CFS, but greater than 0

RUNOFF – STREAM GAGING STATION PEAK FLOW

TOPANGA CREEK *above* Mouth of Canyon
 STATION NO. F54C-R

Season	Daily CFS			Total Runoff (Acre-feet)	Peak Inflow	
	Maximum	Minimum	Mean		Date	CFS
1999-00	133.0	0.3	2.8	2,030	Feb 23	1,050
2000-01	257.0	0.5	7.6	5,520	Jan 11	2,820
2001-02	35.2	0.0	1.4	1,048.5	Nov 24	195
2002-03	551.7	0.2	5.4	3,918	Feb 12	1,660
2003-04	648.8	0.2	4.4	3,183.5	Feb 26	3,780
2004-05	2,000.0	1.0	54.9	39,700.0	Dec 28	3,980

M	Data Missing
*	Record incomplete
E	Estimate
N.D.	Not determined
**	Record not Computed
+	Less than 0.05 Acre Feet or less than 0.05 CFS, but greater than 0

RUNOFF – STREAM GAGING STATION PEAK FLOW

VERDUGO WASH @ Estelle Avenue
STATION NO. F252-R

Season	Daily CFS			Total Runoff (Acre-feet)	Peak Inflow	
	Maximum	Minimum	Mean		Date	CFS
1928-29	15.0	0.0	*	140*	Apr 04	56*
1929-30	14.0	0.0	0.4	274.0	May 03	80
1930-31	8.4	+	0.2	145.0	Apr 26	46
1931-32	39.0	0.1	1.0	713.0	Feb 09	145
1932-33	42.0	0.1	0.4	295.0	Jan 19	391
1933-34	NO RECORD					
1934-35	85.0*	0.0	*	620.0	Jan 05	1,020*
1935-36	33.0	0.0	0.6	463.0	Mar 30	1,100*
1936-37	*	0.0	*	1,560	Dec 27	768
1937-38	1,500.0	0.0	7.5	5,450	Mar 02	4,400E
1938-39	78.0	0.0	2.0	1,420	Jan 05	520
1939-40	60.0	+	2.0	1,430	Jan 08	533
1940-41	357.0	+	10.2	7,370	Feb 19	1,120
1941-42	81.0	0.8	3.0	2,160	Dec 10	440
1942-43	1,020.0	0.3	12.0	8,690	Jan 23	3,570
1943-44	998.0	0.2	7.0	5,040	Feb 22	3,160
1944-45	181.0	0.6	2.8	2,010	Feb 02	1,520
1945-46	135.0	0.3	2.7	1,930	Dec 22	816
1946-47	234.0	0.0	2.7	1,940	Dec 25	1,860
1947-48	41.0	0.0	0.5	382.0	Mar 24	573
1948-49	35.0	0.0	0.6	433.0	Dec 16	202
1949-50	69.0	0.0	0.9	638.0	Feb 06	467
1950-51	41.0	0.0	0.5	383.0	Jan 11	960
1951-52	422.0	0.0	7.8	5,630	Jan 16	2,920
1952-53	100.0	0.0	1.3	968.0	Nov 15	1,520
1953-54	227.0	0.0	2.7	1,920	Feb 13	1,300
1954-55	134.0	0.0	2.0	1,480	Jan 18	784
1955-56	550.0	0.0	2.5	1,840	Jan 26	1,940
1956-57	184.0	0.0	1.9	1,400	Feb 23	2,960
1957-58	236.0	0.0	5.2	3,770	Feb 19	1,700
1958-59	232.0	0.0	2.0	1,440	Feb 16	2,080
1959-60	56.0	0.0	1.2	862.0	Jan 11	533

M Data Missing
 * Record incomplete
 E Estimate
 N.D. Not determined
 ** Record not Computed
 + Less than 0.05 Acre Feet or less than 0.05 CFS, but greater than 0

RUNOFF – STREAM GAGING STATION PEAK FLOW

VERDUGO WASH @ Estelle Avenue
STATION NO. F252-R

Season	Daily CFS			Total Runoff (Acre-feet)	Peak Inflow	
	Maximum	Minimum	Mean		Date	CFS
1960-61	98.0	+	0.9	667.0	Nov 05	676
1961-62	592.0	0.0	6.8	4,830	Feb 12	1,880
1962-63	370.0	+	2.0	1,460	Feb 09	2,180
1963-64	192.0	0.0	2.1	1,510	Jan 21	1,640
1964-65	249.0	+	3.8	2,780	Apr 08	1,480
1965-66	1,030.0	0.1	12.2	8,830	Dec 29	3,480
1966-67	422.0	0.5	10.4	7,530	Jan 22	3,230
1967-68	606.0	0.2	9.3	6,730	Mar 08	3,460
1968-69	1,850.0	1.8	36.1	26,120	Jan 25	5,050
1969-70	261.0	2.0	8.4	6,090	Feb 28	2,500
1970-71	931.0	1.8	10.6	7,690	Nov 29	5,330
1971-72	476.0	1.2	14.8	4,570	Dec 24	1,960
1972-73	897.0	1.0	12.8	9,280	Jan 18	4,010
1973-74	671.0	1.8	10.2	7,380	Jan 07	2,390
1974-75	373.0	0.7	7.7	5,590	Dec 04	3,390
1975-76	180.0	0.5	6.4	4,560	Mar 01	1,190
1976-77	210.0	0.3	6.0	4,318	Jan 03	2,100
1977-78	1,700.0	+	34.2	24,739	Feb 10	9,820
1978-79	*	*	*	*	Mar 27	*
1979-80	440.0	1.2	18.1	13,000	Feb 16	6,420
1980-81	266.0	1.5	12.0	8,706	Jan 29	2,870
1981-82	333.0	1.0	12.5	9,083	Apr 01	1,960
1982-83	1,260.0	2.0	37.0	26,750	Mar 01	6,714
1983-84	NO RECORD					
1984-85	279.0	1.0	9.2	6,686	Dec 19	2,430
1985-86	437.0	1.2	12.1	8,737	Mar 08	1,620
1986-87	158.0	1.5	5.0	3,635		N.D.
1987-88	688.0	2.3	19.3	14,042	Feb 01	4,150
1988-89	301.0	0.3	9.1	6,262	Dec 16	1,700
1989-90	474.0	+	5.7	4,120	Feb 17	1,820
1990-91	544.0	0.2	11.1	8,017		N.D.
1991-92	636.0	0.0	20.1	14,621	Feb 10	4,110

M	Data Missing
*	Record incomplete
E	Estimate
N.D.	Not determined
**	Record not Computed
+	Less than 0.05 Acre Feet or less than 0.05 CFS, but greater than 0

RUNOFF – STREAM GAGING STATION PEAK FLOW

VERDUGO WASH @ Estelle Avenue
STATION NO. F252-R

Season	Daily CFS			Total Runoff (Acre-feet)	Peak Inflow	
	Maximum	Minimum	Mean		Date	CFS
1992-93	733.0	1.7	32.5	23,520	Jun 05	4,320
1993-94	265.0	0.0	10.4	7,543	Nov 30	2,220
1994-95	1,710.0	1.0	46.5	33,700	Jan 10	4,460
1995-96	1,260.0	0.8	18.6	13,520	Feb 21	3,460
1996-97	1,140.0	1.9	23.3	16,860	Dec 22	3,010
1997-98	966.0	3.9	22.3	16,150	Feb 07	5,550
1998-99	117.0	3.6	10.0	7,250	Nov 28	1,390
1999-00	289.0	2.9	11.7	8,470	Feb 16	2,700
2000-01	258.0	3.1	10.9	7,870	Jan 10	1,040
2001-02	264.6	0.3	10.5	7,544.5	Nov 24	4,328
2002-03	524.3	0.1	11.5	8,340.7	Mar 15	2,960
2003-04	0.0	0.0	7.4	0.0	Feb 26	2,840
2004-05	1,350.0	5.4	51.2	37,100.0	Feb 21	4,940

M Data Missing
 * Record incomplete
 E Estimate
 N.D. Not determined
 ** Record not Computed
 + Less than 0.05 Acre Feet or less than 0.05 CFS, but greater than 0

RUNOFF – STREAM GAGING STATION PEAK FLOW

WALNUT CREEK *above* Puente Avenue
STATION NO. F304-R

Season	Daily CFS			Total Runoff (Acre-feet)	Peak Inflow	
	Maximum	Minimum	Mean		Date	CFS
1952-53	47.0	0.0	0.4	292.0	Dec 01	713
1953-54	297.0	0.0	34.9	25,290	Feb 13	1,500
1954-55	337.0	0.0	29.9	21,640	Jan 18	732
1955-56	1,120.0	0.0	68.5	49,730	Jan 26	3,450
1956-57	361.0	0.0	71.2	51,530	Feb 28	2,200
1957-58	494.0	0.0	11.7	8,490	Apr 07	2,510
1958-59	279.0	0.0	2.2	1,610	Jan 06	2,480
1959-60	163.0	0.0	1.8	1,300	Jan 12	1,160
1960-61	272.0	0.0	12.4	9,010	Jan 26	411
1961-62	431.0	*	*	4,800	Feb 11	2,090
1962-63	267.0	+	4.6	3,360	Mar 16	1,410
1963-64	232.0	+	3.9	2,860	Jan 22	1,280
1964-65	435.0	0.2	16.1	11,640	Apr 09	3,250
1965-66	646.0	0.2	11.0	7,920	Dec 29	2,060
1966-67	685.0	0.1	20.8	15,060	Jan 24	3,360
1967-68	647.0	+	23.3	16,880	Mar 08	3,390
1968-69	1,830.0	+	68.4	49,490	Feb 25	4,960
1969-70	278.0	+	4.5	3,250	Mar 01	2,210
1970-71	384.0	0.0	9.4	6,810	Dec 21	1,630
1971-72	546.0	0.0	4.1	3,070	Dec 24	2,650
1972-73	591.0	0.0	9.5	6,920	Jan 16	2,730
1973-74	749.0	0.1	9.2	6,670	Jan 07	2,020
1974-75	551.0	+	7.1	5,170	Dec 04	4,200
1975-76	255.0	+	3.9	2,800	Sep 10	1,200
1976-77	295.0	0.0	5.4	3,939	May 09	1,920
1977-78	1,970.0	0.0	65.0	47,085	Mar 04	7,820
1978-79	714.0	0.0	17.4	12,619	Mar 27	3,020
1979-80	2,490.0	0.0	54.5	38,432	Feb 16	6,280
1980-81	468.0	0.0	4.7	3,406	Mar 01	1,840
1981-82	724.0	0.0	11.1	8,030	Mar 14	2,800
1982-83	1,570.0	0.0	45.2	32,750	Feb 27	5,850
1983-84	424.0	0.0	5.7	4,138	Oct 01	2,340

M	Data Missing
*	Record incomplete
E	Estimate
N.D.	Not determined
**	Record not Computed
+	Less than 0.05 Acre Feet or less than 0.05 CFS, but greater than 0

RUNOFF – STREAM GAGING STATION PEAK FLOW

WALNUT CREEK *above* Puente Avenue
STATION NO. F304-R

Season	Daily CFS			Total Runoff (Acre-feet)	Peak Inflow	
	Maximum	Minimum	Mean		Date	CFS
1984-85	276.0	0.0	8.2	5,917	Nov 13	2,230
1985-86	532.0	0.0	13.2	9,537	Mar 08	3,580
1986-87	693.0	0.0	5.4	3,976	Oct 02	2,653
1987-88	454.0	0.0	7.3	5,355	Oct 22	3,288
1988-89	157.0	0.0	2.3	1,626	Mar 25	869
1989-90	43.7	0.0	2.9	2,066	May 28	2,006
1990-91	724.0	+	11.1	7,924	Mar 26	3,386
1991-92	1,090.0	0.0	28.1	20,383	Feb 12	6,400
1992-93	1,470.0	0.0	68.9	49,850	Jan 07	5,700
1993-94	249.0	0.0	6.6	4,807	Apr 26	2,690
1994-95	900.0	0.0	24.8	17,970	Jan 10	5,040
1995-96	1,200.0	0.0	17.0	12,338	Jan 31	5,400
1996-97	453.0	+	12.9	9,360	Jan 26	2,810
1997-98	1,310.0	+	39.0	28,250	Feb 07	5,670
1998-99	159.0	0.0	6.3	4,590	Nov 28	1,400
1999-00	381.0	0.0	11.0	8,010	Feb 23	3,130
2000-01	620.0	0.0	12.1	8,760	Jan 11	2,430
2001-02	320.4	0.0	2.8	2,001.4	Nov 24	5,196
2002-03	810.3	0.1	15.0	10,840.6	Mar 15	3,990
2003-04	568.3	0.2	8.3	6,006.7	Feb 25	2,350
2004-05	1,370.0	0.2	58.9	42,600.0	Oct 20	4,720

M	Data Missing
*	Record incomplete
E	Estimate
N.D.	Not determined
**	Record not Computed
+	Less than 0.05 Acre Feet or less than 0.05 CFS, but greater than 0

RUNOFF – STREAM GAGING STATION PEAK FLOW

**WALNUT CREEK *below* Puddingstone Dam
STATION NO. F40-R**

Season	Daily CFS			Total Runoff (Acre-feet)	Peak Inflow	
	Maximum	Minimum	Mean		Date	CFS
1932-33	1.3	0.0	0.1	16.7	Jan 29	33
1933-34	3.2	0.0	0.3	40.0	Sep 17	+
1934-35	1.2	0.0	0.1	44.1	Oct 17	4
1935-36	0.5	0.0	0.1	35.6	Feb 12	13
1936-37	6.1	0.0	0.4	197.4	Feb 06	18
1937-38	99.0	0.1	6.6	4,820.4	Mar 07	104
1938-39	23.0	0.1	1.8	1,337.1	Oct 30	25
1939-40	1.0	0.1	0.2	144.6	Jan 07	7
1940-41	15.7	0.1	2.5	1,790.1	Feb 19	25
1941-42	44.0	0.1	2.3	1,640.5	Dec 03	91
1942-43	141.0	0.1	4.2	3,062.5	Mar 04	287
1943-44	51.0	0.1	1.5	1,120.1	Mar 02	51
1944-45	6.2	0.1	0.6	392.9	Feb 02	10
1945-46	30.0	0.1	3.9	2,833.7	Aug 31	37
1946-47	3.6	0.1	0.2	128.5	Nov 12	6
1947-48	0.7	0.0	0.1	32.1	Jul 13	7
1948-49	0.9	0.0	0.1	21.0	Jul 22	3
1949-50	1.5	0.0	0.0	28.4	Dec 18	4
1950-51	0.2	0.0	0.0	11.3	Dec 14	3
1951-52	2.9	0.0	0.1	108.1	Jan 16	12
1952-53	3.3	0.0	0.2	135.6	Apr 20	4
1953-54	362.0	0.0	42.2	30,644.6	Sep 23	392
1954-55	366.0	0.0	32.4	23,298.9	Dec 12	404
1955-56	396.0	0.1	70.1	50,797.5	Sep 30	389
1956-57	381.0	0.1	74.2	53,783.0	Apr 26	414
1957-58	5.4	0.0	0.4	314.4	Apr 07	16
1958-59	2.7	0.0	0.1	59.6	Jan 06	11
1959-60	0.5	0.0	0.1	41.5	Jan 12	3
1960-61	291.0	0.0	13.0	9,455.8	Nov 16	294
1961-62	1.5	0.0	0.1	48.9		
1962-63	21.0	0.0	0.7	481.9	Nov 28	21
1963-64	0.2	0.0	0.0	20.1	Feb 19	8

M	Data Missing
*	Record incomplete
E	Estimate
N.D.	Not determined
**	Record not Computed
+	Less than 0.05 Acre Feet or less than 0.05 CFS, but greater than 0

RUNOFF – STREAM GAGING STATION PEAK FLOW

**WALNUT CREEK *below* Puddingstone Dam
STATION NO. F40-R**

Season	Daily CFS			Total Runoff (Acre-feet)	Peak Inflow	
	Maximum	Minimum	Mean		Date	CFS
1964-65	309.3	0.0	10.4	7,431.4	Mar 20	310
1965-66	110.0	0.0	4.2	3,119.8	Dec 13	112
1966-67	157.0	0.0	13.9	10,035.8	May 05	159
1967-68	N.D.					
1968-69	N.D.					
1969-70	N.D.					
1970-71	N.D.					
1971-72	N.D.					
1972-73	N.D.					
1973-74	N.D.					
1974-75	94.0	0.0	0.0	0.0	Apr 11	450
1975-76	2.0	0.0	0.0	64.9	May 24	20
1976-77	15.2	0.0	0.3	214.2	May 18	31
1977-78	1,080.0	0.0	34.4	24,888.4	Mar 06	1,115
1978-79	37.8	0.2	5.7	4,121.3	Mar 09	80
1979-80	1,070.0	0.2	28.1	20,376.2	Feb 18	1,070
1980-81	31.7	0.1	0.7	515.1	Mar 01	34
1981-82	474.0	0.1	3.6	2,591.2	Mar 18	573
1982-83	550.0	0.1	21.0	15,239.2	Mar 01	622
1983-84	64.0	0.1	2.8	2,049.1	Feb 04	255
1984-85	205.0	0.1	1.2	873.7	Jan 13	216
1985-86	219.0	0.1	4.4	3,150.5	Mar 16	298
1986-87	151.0	0.0	2.6	1,112.9	Jan 14	159
1987-88	107.0	0.1	2.8	2,049.3		107
1988-89	44.0	0.1	2.5	1,842.0	Feb 10	48
1989-90	83.8	0.1	1.3	890.8	Feb 21	161
1990-91	361.0	0.1	3.8	2,774.5	Mar 27	700
1991-92	492.0	0.1	5.3	3,829.3	Feb 12	580
1992-93	608.0	0.1	39.0	28,252.2	Feb 19	863
1993-94	41.9	0.1	1.6	1,136.5	Dec 16	43
1994-95	779.0	0.1	13.7	9,925.9	Mar 06	834
1995-96	290.0	0.2	4.5	3,255.1	Feb 20	652

M	Data Missing
*	Record incomplete
E	Estimate
N.D.	Not determined
**	Record not Computed
+	Less than 0.05 Acre Feet or less than 0.05 CFS, but greater than 0

RUNOFF – STREAM GAGING STATION PEAK FLOW

WALNUT CREEK *below* Puddingstone Dam

STATION NO. F40-R

Season	Daily CFS			Total Runoff (Acre-feet)	Peak Inflow	
	Maximum	Minimum	Mean		Date	CFS
1996-97	105.0	0.3	5.5	3,957.1	Dec 30	114
1997-98	312.0	0.3	18.9	13,657.4	May 28	818
1998-99	36.0	0.2	1.3	963.9	Oct 01	126
1999-00	131.0	0.3	2.5	1,808.5	Feb 22	230
2000-01	202.0	0.2	4.0	2,930.0	Mar 03	569
2001-02	20.1	0.4	0.9	645.5	Jan 04	22
2002-03	275.2	0.3	4.9	3,562.8	Mar 16	292
2003-04	56.9	0.6	2.1	1,549.5	Dec 01	83
2004-05	792.0	0.0	24.8	17,900.0	Jan 11	1,010

M	Data Missing
*	Record incomplete
E	Estimate
N.D.	Not determined
**	Record not Computed
+	Less than 0.05 Acre Feet or less than 0.05 CFS, but greater than 0

APPENDIX E

HYDROLOGIC REPORT 2004 – 2005

RESERVOIRS – YEARLY RESERVOIR OPERATION SUMMARY

RESERVOIRS – YEARLY RESERVOIR OPERATION SUMMARY

Big Dalton Dam

Season	Inflow Annual (AF)	Inflow		Outflow Annual (AF)	Peak Inflow	
		Max-Day (CFS)	Min-Day (CFS)		Date	Q (CFS)
1929-30	52	3	0	52		N.D.
1930-31	41	2	0	41	Apr 26	3
1931-32	690	54	0	688	Feb 09	86
1932-33	79	5	0	81	Jan 20	12
1933-34	448	93	0	448	Jan 01	227
1934-35	593	21	0	575	Apr 08	49
1935-36	360	12	0	370	Feb 11	72
1936-37	1879	51	0	1868	Feb 06	98
1937-38	3271	415	0	3192	Mar 02	1320
1938-39	280	4	0	288	Jan 05	26
1939-40	232	4	0	236	Jan 08	29
1940-41	2767	56	+	2748	Mar 04	88
1941-42	209	2	0	233	Mar 14	6
1942-43	3143	160	0	3110	Jan 23	595
1943-44	1087	109	+	1085	Feb 22	226
1944-45	734	19	0	729	Nov 11	47
1945-46	525	40	0	509	Dec 23	148
1946-47	492	16	0	512	Nov 20	56
1947-48	58	1	0	8	Apr 28	9.7
1948-49	94	1	0	113	Dec 17	3.3
1949-50	142	2	0	130	Feb 06	3.5
1950-51	27	2	+	14	Jan 11	4.8
1951-52	1626	73	0	1577	Jan 16	154
1952-53	120	1	+	68	Dec 01	4.8
1953-54	346	13	0	359	Jan 25	53
1954-55	87	1	+	5	Jan 18	2.4
1955-56	190	14	+	213	Jan 26	56
1956-57	76	1	+	27	Jan 13	1.8
1957-58	2104	97	0	2052	Apr 03	169
1958-59	160	6	+	133	Feb 16	26
1959-60	54	1	+	11	Apr 27	4.8
1960-61	187	18	0	1510	Nov 05	462
1961-62	1222	63	0	933	Dec 02	1130
1962-63	248	20	0	159	Feb 09	92
1963-64	165	3	0	300	Mar 22	30
1964-65	380	18	0	15	Apr 09	73

N.D. Not determined

R.I. Records incomplete

+ Less than 0.05 Acre Feet or less than 0.05 CFS, but greater than 0

RESERVOIRS – YEARLY RESERVOIR OPERATION SUMMARY

Big Dalton Dam

Season	Inflow Annual (AF)	Inflow		Outflow Annual (AF)	Peak Inflow	
		Max-Day (CFS)	Min-Day (CFS)		Date	Q (CFS)
1965-66	2210	113	0	2013	Nov 22	489
1966-67	4787	292	0	4790	Dec 06	685
1967-68	771	15	0	681	Nov 19	56
1968-69	13251	1210	0	12995	Jan 25	1540
1969-70	728	15	0	610	Feb 28	91
1970-71	856	22	0	1100	Dec 21	38
1971-72	217	10	+		Dec 27	11
1972-73	1386	100	+	1046	Feb 11	163
1973-74	860	43	0	1030	Jan 07	68
1974-75	379	4	0	211	Mar 06	7.8
1975-76	237	6	0	467	Mar 01	17
1976-77	171	3	0	20	Jan 03	14
1977-78	6182	232	0	6234	Mar 04	500
1978-79	R.I.					N.D.
1979-80	R.I.					N.D.
1980-81	349	5	0	364	Jan 29	29
1981-82	1018	50	0	923	Mar 17	53
1982-83	5562	240	0	5532	Mar 01	350
1983-84	703	8	0	704	Dec 25	16
1984-85	611	10	0	585	Dec 19	16
1985-86	886	20	0	865	Mar 16	26.3
1986-87	203	N.D.	0	196	Jan 04	N.D.
1987-88	342	7	0	324	Jan 17	17
1988-89	382	13	0	340	Feb 04	31
1989-90	112	3	0	90	Feb 17	8
1990-91	470	26	0	453	Mar 27	62
1991-92	1259	37	0	1243	Feb 12	121
1992-93	7102	322	0	7146	Jan 18	385
1993-94	369	3	0	300	Feb 07	4
1994-95	3839	73	0	3820	Jan 10	127
1995-96	1247	54	0	1215	Feb 20	96
1996-97	1127	7.6	0	1108		N.D.
1997-98	4703	213	0	4642	Feb 23	344
1998-99						N.D.
1999-00	208	17	0	218	Mar 09	N.D.
2000-01	271	4.7	0	256	Feb 13	9.0

N.D. Not determined

R.I. Records incomplete

+ Less than 0.05 Acre Feet or less than 0.05 CFS, but greater than 0

RESERVOIRS – YEARLY RESERVOIR OPERATION SUMMARY
--

Big Dalton Dam

Season	Inflow Annual (AF)	Inflow		Outflow Annual (AF)	Peak Inflow	
		Max-Day (CFS)	Min-Day (CFS)		Date	Q (CFS)
2001-02	28.5	0.4	0	0	Jan 27	3
2002-03	1021	74	0	637	Mar 18	168
2003-04	502	25.3	0	626	Feb 26	110
2004-05	7780	494	0	7350	Jan 09	935

N.D. Not determined

R.I. Records incomplete

+ Less than 0.05 Acre Feet or less than 0.05 CFS, but greater than 0

RESERVOIRS – YEARLY RESERVOIR OPERATION SUMMARY

Big Tujunga Dam

Season	Inflow Annual (AF)	Inflow		Outflow Annual (AF)	Peak Inflow	
		Max-Day (CFS)	Min-Day (CFS)		Date	Q (CFS)
1932-33	4342	218	0	4518		N.D.
1933-34	4441	994	0	4234	Jan 01	2430
1934-35	11992	380	0	10698	Apr 08	718
1935-36	3875	130	0	5508	Feb 12	312
1936-37	26969	803	0.6	25729	Feb 06	1740
1937-38	64855	12030	1	65022	Mar 02	32940
1938-39	9905	327	1.2	9106	Dec 19	666
1939-40	7058	337	0.4	7197	Jan 08	2300
1940-41	59402	1200	0.9	59086	Mar 04	1570
1941-42	7120	70	0.8	7724	Dec 10	134
1942-43	52877	5700	1.1	52919	Jan 23	17850
1943-44	42270	2780	5	41722	Feb 22	4770
1944-45	13206	475	1.2	12231	Nov 11	1850
1945-46	11543	1150	0.8	12383	Mar 30	2310
1946-47	12987	674	0.9	12827	Nov 13	1690
1947-48	2679	44	0.7	3579	Apr 29	85
1948-49	2129	16	0.1	1645	Mar 11	18
1949-50	2029	32	0.2	1905	Feb 06	43
1950-51	841	7.7	0.1	1235	Apr 29	17
1951-52	27288	896	0.3	26125	Jan 18	2030
1952-53	3496	35	0.1	4873	Nov 15	108
1953-54	5389	212	0.1	5290	Jan 25	500
1954-55	2623	30	0.2	2282	Jan 18	52
1955-56	3026	233	0.4	3433	Jan 26	582
1956-57	1967	107	0.1	1660	Jan 13	283
1957-58	27558	1220	0.1	27563	Apr 03	2860
1958-59	3405	172	0.1	3152	Jan 06	213
1959-60	1183	12	0.3	1653	Jan 12	24
1960-61	838	14	0.4	718	Nov 06	35
1961-62	16711	2540	0.4	16776	Feb 11	5050
1962-63	1715	90	0.2	1359	Feb 10	237
1963-64	1526	40	0	2039	Jan 22	90
1964-65	2429	60	0.4	1503	Apr 09	165
1965-66	30772	2810	0.6	29779	Dec 29	10800
1966-67	30158	1180	1.6	30338	Dec 06	2600
1967-68	10584	352	1	11446	Nov 21	725

N.D. Not determined

R.I. Records incomplete

+ Less than 0.05 Acre Feet or less than 0.05 CFS, but greater than 0

RESERVOIRS – YEARLY RESERVOIR OPERATION SUMMARY

Big Tujunga Dam

Season	Inflow Annual (AF)	Inflow		Outflow Annual (AF)	Peak Inflow	
		Max-Day (CFS)	Min-Day (CFS)		Date	Q (CFS)
1968-69	107609	7800	0	106462	Feb 25	17800
1969-70	11643	372	1.5	11624	Mar 01	613
1970-71	12394	1100	2.1	11412	Nov 29	3970
1971-72	4118	194	0.5	3374	Dec 24	462
1972-73	15375	1914	0.5	14680	Feb 11	6320
1973-74	8663	256	0.9	5582	Jan 07	561
1974-75	5442	198	0.3	8666	Mar 06	315
1975-76	4482	408	0.1	3863	Feb 09	1400
1976-77	3928	164	1.2	3547	Jan 03	878
1977-78	R.I.					N.D.
1978-79	R.I.					N.D.
1979-80	R.I.					N.D.
1980-81	10927	226	3.0	11470	Jan 29	496
1981-82	16578	569	3.8	16557	Mar 17	1499
1982-83	95294	7065	3.8	93880	Mar 01	10007
1983-84	10861	337	0.0	11314	Dec 25	808
1984-85	7362	200	0.7	6952	Dec 19	361
1985-86	12370	529	0.4	11757	Jan 30	969
1986-87	2943	28	0.0	2843	Jan 04	53
1987-88	7121	190	0.0	6902	Feb 01	685
1988-89	4300	91	0.0	4208	Feb 10	131
1989-90	929	41	0.0	741	Feb 17	62
1990-91	8074	530	0.0	7992	Mar 01	1871
1991-92	31767	1249	0.1	31414	Feb 12	5167
1992-93	89492	3490	0.2	89311	Feb 19	7774
1993-94	8635	80	0.0	9241	Feb 08	170
1994-95	34562	1005	0.2	34532	Jan 10	3608
1995-96	8491	477	1.1	7970	Feb 21	530
1996-97	9025	156	0.3	8080		N.D.
1997-98	48676	3370	0.4	48281	Feb 23	8288
1998-99	7440	38	0	5580	Feb 02	72
1999-00	5740	739	0	5923	Feb 21	602
2000-01	8102	343	0	8032	Mar 06	343
2001-02	1307.6	15.2	0	906.2	Oct 23	35
2002-03	7090	660	0	7031	Feb 12	1803
2003-04	2310	335	0	2120	Feb 26	932

N.D. Not determined

R.I. Records incomplete

+ Less than 0.05 Acre Feet or less than 0.05 CFS, but greater than 0

RESERVOIRS – YEARLY RESERVOIR OPERATION SUMMARY

Big Tujunga Dam

Season	Inflow Annual (AF)	Inflow		Outflow Annual (AF)	Peak Inflow	
		Max-Day (CFS)	Min-Day (CFS)		Date	Q (CFS)
2004-05	132800	4910	+	132000	Jan 09	7960

N.D. Not determined
 R.I. Records incomplete
 + Less than 0.05 Acre Feet or less than 0.05 CFS, but greater than 0

RESERVOIRS – YEARLY RESERVOIR OPERATION SUMMARY

Cogswell Dam

Season	Inflow Annual (AF)	Inflow		Outflow Annual (AF)	Peak Inflow	
		Max-Day (CFS)	Min-Day (CFS)		Date	Q (CFS)
1934-35	3517	54	0.1	3517		N.D.
1935-36	7154	265	0	7138		N.D.
1936-37	32986	943	0.1	32996	Feb 14	1240
1937-38	60336	7990	1.4	58799	Mar 02	24710
1938-39	11560	673	0.9	11369	Sep 25	1360
1939-40	9634	309	0.8	9569	Jan 08	2020
1940-41	61270	1400	0.5	59951	Feb 20	1640
1941-42	6080	108	0.3	7331	Dec 10	294
1942-43	54700	2320	0.7	53703	Jan 23	15000
1943-44	38150	2,860	1.4	37460	Feb 22	4650
1944-45	11887	424	1.4	10385	Nov 11	1600
1945-46	14711	1260	0.8	16377	Mar 30	2790
1946-47	20135	1030	0.1	20135	Dec 25	2290
1947-48	3103	86	0.3	3032	Apr 29	262
1948-49	2911	32	0.3	2765	Jan 20	65
1949-50	3778	99	0.4	3536	Dec 18	239
1950-51	887	9.6	0.3	568	Apr 29	24
1951-52	33783	1260	0.3	25439	Jan 16	2640
1952-53	4410	70	0.8	12345	Dec 01	254
1953-54	8004	412	0.3	7500	Jan 24	1030
1954-55	3941	51	0.3	3165	Apr 30	176
1955-56	4070	419	0.1	3564	Jan 26	1040
1956-57	3421	225	0.2	3757	Jan 13	685
1957-58	36476	1460	0.0	34530	Apr 03	3710
1958-59	4904	340	0.4	6205	Jan 06	1760
1959-60	1935	27	0.5	2006	Jan 10	65
1960-61	1106	36	0.4	572	Jan 26	116
1961-62	25497	3480	0.3	23255	Feb 11	7010
1962-63	3220	153	0.6	4783	Feb 09	1017
1963-64	2587	89	0.4	2647	Apr 01	276
1964-65	5037	266	0.3	4159	Apr 09	479
1965-66	41747	2640	0.3	42170	Dec 29	9220
1966-67	40504	1860	0.6	32757	Dec 06	4650
1967-68	9569	338	0.6	12713	Nov 19	893
1968-69	95676	6380	0.1	90488	Jan 25	15700
1969-70	10222	410	1.0	13859	Feb 28	1020

N.D. Not determined

R.I. Records incomplete

+ Less than 0.05 Acre Feet or less than 0.05 CFS, but greater than 0

RESERVOIRS – YEARLY RESERVOIR OPERATION SUMMARY

Cogswell Dam

Season	Inflow Annual (AF)	Inflow		Outflow Annual (AF)	Peak Inflow	
		Max-Day (CFS)	Min-Day (CFS)		Date	Q (CFS)
1970-71	10822	1030	0.8	11683	Nov 29	2930
1971-72	4009	297	0.4	4557	Dec 24	798
1972-73	19613	2210	0.4	16632	Feb 11	6970
1973-74	12746	424	1.1	12051	Jan 07	880
1974-75	6610	241	1.1	8344	Mar 06	432
1975-76	5550	509	0.1	5040	Feb 09	824
1976-77	4955	206	0.3	5000	Jan 03	421
1977-78	86754	3852	0.0	86030	Feb 10	11200
1978-79	23057	519	1.9	24083	Jan 05	N.D.
1979-80	59867	3028	1.8	57887	Feb 16	6196
1980-81	5299	127	0	7752	Jan 29	511
1981-82	14258	605	0.4	9059	Mar 17	1238
1982-83	77775	3966	1.4	78446	Mar 02	5898
1983-84	9561	272	2.8	12495	Dec 25	790
1984-85	7167	284	0.0	6383	Dec 19	531
1985-86	15584	560	0.6	15314	Feb 15	916
1986-87	2194	35	0.1	2669	Jan 04	63
1987-88	11621	282	0.0	10919	Mar 01	528
1988-89	4953	99	0.0	5105	Feb 04	175
1989-90	1903	61	0.0	1775	Feb 18	99
1990-91	10229	605	0.0	10921	Mar 01	1063
1991-92	39922	2352	0.2	39922	Feb 11	5231
1992-93	83608	2330	0.0	78936	Feb 19	4135
1993-94	6896	105	0.2	11142	Feb 08	162
1994-95	41056	1002	0.1	41072	Jan 10	2479
1995-96	8780	496	0.1	8777	Feb 20	1056
1996-97	9428	192	0.2	8089		N.D.
1997-98	47709	3476	0.5	41403	Feb 23	7343
1998-99						N.D.
1999-00	5066	258	0.0	5083	Feb 21	562
2000-01	10268	210	0.0	10412	Feb 13	780
2001-02	1870.6	29.9	0	3747.4	Jan 27	34
2002-03	9561	856	0	7725	Feb 13	1399
2003-04	5820	33.5	0.8	6780	Jan 14	81
2004-05	101900	4790	0.44	96850	Jan 09	6590

N.D. Not determined

R.I. Records incomplete

+ Less than 0.05 Acre Feet or less than 0.05 CFS, but greater than 0

RESERVOIRS - YEARLY RESERVOIR OPERATION SUMMARY
--

Devil's Gate Dam

Season	Inflow Annual (AF)	Daily Mean Inflow		Outflow Annual (AF)	Peak Inflow	
		Max-Day (CFS)	Min-Day (CFS)		Date	Q (CFS)
1933-34	2,938	757	0	0	Jan 01	3,310
1934-35	3,843	N.D.	0	N.D.	Oct 17	1,310
1935-36	3,457	N.D.	0	86	Feb 02	939
1936-37	12,030	340	0	2,818	Feb 06	852
1937-38	25,436	3,720	0	17,496	Mar 02	10,840
1938-39	3,044	200	0	634	Dec 19	201
1939-40	1,350	142	0	745	Jan 08	859
1940-41	27,013	1,380	0	24,582	Feb 20	3,870
1941-42	689	91	0	443	Dec 10	479
1942-43	25,655	2,560	0	23,552	Jan 23	7,740
1943-44	8,680	1,450	0	7,905	Feb 22	2,310
1944-45	2,341	288	0	2,031	Nov 11	949
1945-46	2,994	435	0	1,343	Dec 22	1,040
1946-47	4,045	285	0	3,949	Dec 25	1,280
1947-48	260	32	0	57	Mar 24	444
1948-49	185	14	0	37	Mar 10	59
1949-50	318	37	0	81	Feb 06	237
1950-51	171	18	0	17	Jan 11	468
1951-52	11,508	792	0	11,377	Jan 16	2,650
1952-53	563	51	0	194	Nov 15	823
1953-54	1,324	178	0	488	Jan 25	565
1954-55	651	50	0	154	Jan 18	334
1955-56	2,229	591	0	1,339	Jan 26	1,420
1956-57	926	111	0	142	Feb 23	795
1957-58	9,642	447	0	6,508	Apr 03	1,020
1958-59	1,055	160	0	465	Jan 06	1,280
1959-60	1,052	40	0	131	Jan 11	329
1960-61	1,035	131	0	488	Nov 06	1,260
1961-62	7,014	970	0	5,260	Feb 11	1,840
1962-63	1,215	289	0	251	Feb 09	1,290
1963-64	860	81	0	170	Jan 21	727
1964-65	1,721	170	0	246	Apr 09	755
1965-66	15,667	1,340	0	13,199	Nov 22	3,740
1966-67	16,391	934	0	6,057	Dec 06	2,130
1967-68	6,858	698	0	2,233	Nov 19	1,310
1968-69	44,817	4,220	0	39,164	Jan 25	7,910
1969-70	2,109	202	0	1,311	Mar 04	534

N.D. Not determined

R.I. Records incomplete

+ Less than 0.05 acre feet or less than 0.05 cfs, but greater than 0

RESERVOIRS - YEARLY RESERVOIR OPERATION SUMMARY
--

Devil's Gate Dam

Season	Inflow Annual (AF)	Daily Mean Inflow		Outflow Annual (AF)	Peak Inflow	
		Max-Day (CFS)	Min-Day (CFS)		Date	Q (CFS)
1970-71	3,098	682	0	1,894	Nov 29	1,760
1971-72	798	152	0	+	Dec 24	433
1972-73	8,298	1,517	0	5,615	Feb 11	3,520
1973-74	4,032	589	0	2,749	Jan 07	1,100
1974-75	2,024	237	0	711	Mar 06	451
1975-76	2,172	281	0	1,204	Sep 10	869
1976-77	1,682	177	0	1,593	Jan 03	587
1977-78	R.I.				Mar 04	6,941
1978-79	R.I.				Mar 28	269
1979-80	R.I.				Feb 16	2793*
1980-81	1,857	84	0	2,337	Jan 29	802
1981-82	6,574	199	0	6,569	Mar 17	272
1982-83	26,491	2,571	0	26,338	Mar 02	3,419
1983-84	937	100	0	1,074	Oct 01	105
1984-85	1,320	129	0	1,320	Dec 19	480
1985-86	2,877	166	0	2,877	Feb 15	282
1986-87	N.D.	N.D.		N.D.	Jan 04	202
1987-88	2,346	96	0	2,346	Oct 31	226
1988-89	113	18	0	113	Dec 16	54
1989-90	142	12	0	142	Feb 17	88
1990-91	4,997	523	0	4,997	Mar 01	924
1991-92	19,885	1,310	0	19,885	Feb 12	3,107
1992-93	60,794	1,134	0	60,793	Jan 17	2,213
1993-94	1,456	21	0	1,456	Feb 17	25
1994-95	21,173	1,030	0	21,173	Jan 10	2,493
1995-96	3,119	414	0	3,120	Feb 21	584
1996-97	R.I.					N.D.
1997-98	R.I.					N.D.
1998-99						N.D.
1999-00	15,780	471	0	15,780	Mar 05	818
2000-01	12,260	493	0	12,290	Feb 13	628
2001-02	1,730	66	0	1,680	Nov 24	395
2002-03	3,140	272	0	1,980	Feb 12	770
2003-04	2,070	245	0	1,600	Feb 26	1,250
2004-05	134,400	8,370	0	134,200	Jan 09	9,870

N.D. Not determined

R.I. Records incomplete

+ Less than 0.05 acre feet or less than 0.05 cfs, but greater than 0

RESERVOIRS – YEARLY RESERVOIR OPERATION SUMMARY

Eaton Wash Dam

Season	Inflow Annual (AF)	Inflow		Outflow Annual (AF)	Peak Inflow	
		Max-Day (CFS)	Min-Day (CFS)		Date	Q (CFS)
1936-37	3062	112	0	1502		N.D.
1937-38	6993	883	0	5213	Mar 02	2670
1938-39	340	51	0	84	Dec 18	169
1939-40	390	31	0	96	Jan 08	220
1940-41	7323	188	0	6089	Feb 20	426
1941-42	78	11	0	0	Dec 10	73
1942-43	7212	498	0	6399	Jan 23	1700
1943-44	2901	265	0	1970	Feb 22	371
1944-45	331	52	0	101	Nov 11	204
1945-46	514	77	0	265	Dec 23	284
1946-47	746	74	0	507	Nov 13	286
1947-48	64	11	0	5	Apr 28	90
1948-49	36	4.7	0	1.2	Jan 20	10
1949-50	188	23	0	61	Dec 18	88
1950-51	44	3.8	0	7.5	Jan 11	80
1951-52	2636	151	0	2020	Jan 16	495
1952-53	145	18	0	0	Dec 01	225
1953-54	533	56	0	202	Jan 19	220
1954-55	146	14	0	0	Jan 18	91
1955-56	330	123	0	151	Jan 26	422
1956-57	127	20	0	9.2	Feb 23	138
1957-58	3114	150	0	2248	Apr 01	443
1958-59	301	46	0	152	Jan 06	702
1959-60	60	5.8	0	0	Jan 11	48
1960-61	61	10	0	0	Jan 26	39
1961-62	1729	322	0	1299	Feb 11	737
1962-63	177	51	0	19	Feb 09	198
1963-64	222	38	0	33	Jan 22	246
1964-65	534	49	0	328	Apr 09	220
1965-66	5400	415	0	4267	Dec 29	1520
1966-67	3856	317	0	1907	Dec 06	595
1967-68	1304	133	0	404	Nov 19	331
1968-69	20866	1,110	0	18644	Jan 25	2540
1969-70	718	90	0	527	Mar 05	878
1970-71	809	178	0	581	Nov 29	457
1971-72	207	42	0	+	Dec 27	107

N.D. Not determined

R.I. Records incomplete

+ Less than 0.05 Acre Feet or less than 0.05 CFS, but greater than 0

RESERVOIRS – YEARLY RESERVOIR OPERATION SUMMARY

Eaton Wash Dam

Season	Inflow Annual (AF)	Inflow		Outflow Annual (AF)	Peak Inflow	
		Max-Day (CFS)	Min-Day (CFS)		Date	Q (CFS)
1972-73	4299	532	0	2844	Feb 11	587
1973-74	2420	200	0	1607	Jan 07	309
1974-75	672	79	0	418	Mar 06	81
1975-76	893	74	0	424	Mar 01	175
1976-77	461	36	0	281	Jan 03	191
1977-78	R.I.					N.D.
1978-79	R.I.					N.D.
1979-80	R.I.					N.D.
1980-81	578	45	0	587	Mar 01	195
1981-82	1676	121	0	1530	Mar 17	200
1982-83	19050	732	0	18941	Mar 02	1982
1983-84	1918	61	0	1929	Dec 25	188
1984-85	701	23	0	698	Dec 19	23
1985-86	1937	56	0	1933	Jan 30	223
1986-87	N.D.	27	0	N.D.	Jan 04	N.D.
1987-88	848	55	0	649	Feb 01	228
1988-89	322	26	0	182	Dec 16	74
1989-90	233	40	0	131	Feb 17	63
1990-91	1602	127	0	1589	Mar 01	239
1991-92	5693	295	0	5678	Feb 11	1068
1992-93	14662	340	0	14661	Jan 07	937
1993-94	1100	26	0	984	Feb 08	51
1994-95	7500	225	0	7461	Jan 10	757
1995-96	1891	158	0	1865	Feb 20	266
1996-97	R.I.					N.D.
1997-98	6514	308	0	6514	Feb 23	1418
1998-99						N.D.
1999-00	626	55	0	799	Feb 28	70
2000-01	N.D.				Feb 13	179.4
2001-02	R.I.	R.I.	0	42.4		N.D.
2002-03	768	98	0	402	Feb 11	295.5
2003-04	517	100	0	298	Feb 26	363
2004-05	11850	259	0	11170	Oct 20	593

N.D. Not determined

R.I. Records incomplete

+ Less than 0.05 Acre Feet or less than 0.05 CFS, but greater than 0

RESERVOIRS – YEARLY RESERVOIR OPERATION SUMMARY

Live Oak Dam

Season	Inflow Annual (AF)	Inflow		Outflow Annual (AF)	Peak Inflow	
		Max-Day (CFS)	Min-Day (CFS)		Date	Q (CFS)
1932-33	0	0	0	0		0
1933-34	N.D.	N.D.	N.D.	142		N.D.
1934-35	27	2.3	0	27	Apr 08	16
1935-36	N.D.	4.1	0	0		N.D.
1936-37	494	35	0	413	Feb 06	139.2
1937-38	800	147	0	785	Mar 02	339
1938-39	21	1.0	0	3.2	Feb 03	1.4
1939-40	16	1.2	0	1.4	Jan 08	11
1940-41	719	39	0	718	Mar 04	90
1941-42	0	+	+	0		+
1942-43	827	78	0	827	Jan 22	170
1943-44	218	33	0	218	Feb 22	74
1944-45	177	9.4	0	177	Feb 02	67
1945-46	105	22	0	89	Dec 23	127
1946-47	64	7.5	0	45	Nov 20	25
1947-48	0	0	0	0		N.D.
1948-49	0	0	0	0		N.D.
1949-50	4.7	0.3	0	3.6	Dec 19	2.6
1950-51	0	0	0	0		N.D.
1951-52	362	34	0	343	Jan 16	148
1952-53	2	+	0	3.2	Dec 01	0.8
1953-54	78	13	0	64	Jan 25	82
1954-55	0.3	+	0	0.3		N.D.
1955-56	77	25	0	72	Jan 26	128
1956-57	1.9	0.1	0	0.1	Jan 13	1.1
1957-58	699	38	0	699	Apr 03	67
1958-59	5.6	0.8	0	5.4	Jan 06	9.2
1959-60	0	0	0	0		N.D.
1960-61	4.8	0.7	0	0	Nov 06	22
1961-62	186	29	0	111	Nov 20	366
1962-63	13	5.8	0	5.4	Feb 09	23
1963-64	4.8	0.8	0	0	Mar 22	6.2
1964-65	20	6.8	0	15	Apr 09	58
1965-66	243	23	0	241	Nov 22	116
1966-67	699	112	+	672	Dec 06	360
1967-68	131	6.0	0	130	Mar 08	39

N.D. Not determined

R.I. Records incomplete

+ Less than 0.05 Acre Feet or less than 0.05 CFS, but greater than 0

RESERVOIRS – YEARLY RESERVOIR OPERATION SUMMARY

Live Oak Dam

Season	Inflow Annual (AF)	Inflow		Outflow Annual (AF)	Peak Inflow	
		Max-Day (CFS)	Min-Day (CFS)		Date	Q (CFS)
1968-69	2146	152	0	2115	Jan 25	403
1969-70	258	8.4	0	258	Feb 28	14
1970-71	243	7.2	0	243	Dec 21	16
1971-72	71	3.5	0	71	Dec 24	5
1972-73	291	34	0	290	Feb 11	52
1973-74	132	13	0	132	Jan 07	31
1974-75	71	2.0	0	61	Mar 06	14
1975-76	30	2.5	0	24	Mar 01	7.2
1976-77	32	2.0	0	33	Jan 03	13
1977-78	1517	70.9	0	1517	Mar 04	187
1978-79	655	18.1	0	655	Mar 27	43.4
1979-80	R.I.					N.D.
1980-81	240	3	0	237	Mar 02	4
1981-82	421	19	0	421	Mar 18	32
1982-83	1778	72	0	1780	Mar 01	144
1983-84	447	12	0	448	Dec 25	47
1984-85	162	3.6	0	162	Dec 19	5
1985-86	192	4.4	0	192	Feb 16	7
1986-87	37	0.8	0	37	Jan 04	10
1987-88	70	2.7	0	69	Jan 17	4
1988-89	96	6.0	0	93	Feb 04	11
1989-90	51	2	0	51	Feb 17	3
1990-91	205	22	0	204	Mar 01	44
1991-92	277	26	0	277	Feb 12	112
1992-93	1762	55	0	1759	Jan 07	68
1993-94	230	2.8	0	235	Mar 19	17
1994-95	820	32	0	820	Jan 10	86
1995-96	357	37	0	357	Feb 20	75
1996-97	R.I.					N.D.
1997-98	828	50	0	782	Feb 23	139
1998-99						N.D.
1999-00	0	31	0	0	Feb 21	N.D.
2000-01						N.D.
2001-02	11.7	0.2	0	0	Jan 28	4
2002-03	197	31	0	46	Mar 16	201.1
2003-04	286	28	0	230	Feb 26	169

N.D. Not determined

R.I. Records incomplete

+ Less than 0.05 Acre Feet or less than 0.05 CFS, but greater than 0

RESERVOIRS – YEARLY RESERVOIR OPERATION SUMMARY

Live Oak Dam

Season	Inflow Annual (AF)	Inflow		Outflow Annual (AF)	Peak Inflow	
		Max-Day (CFS)	Min-Day (CFS)		Date	Q (CFS)
2004-05	3010	155	0	2930	Feb 11	339

N.D. Not determined
 R.I. Records incomplete
 + Less than 0.05 Acre Feet or less than 0.05 CFS, but greater than 0

RESERVOIRS – YEARLY RESERVOIR OPERATION SUMMARY

Morris Dam

Season	Inflow Annual (AF)	Inflow		Outflow Annual (AF)	Peak Inflow	
		Max-Day (CFS)	Min-Day (CFS)		Date	Q (CFS)
1937-38	339303	18590	0	337955	Mar 02	70300
1938-39	62367	890	0	75278	Dec 20	N.D.
1939-40	41367	439	1	51030	Mar 06	N.D.
1940-41	294818	4137	1	263819	Feb 20	4230
1941-42	21562	419	0.1	16504	Nov 07	N.D.
1942-43	251552	10380	0	247717	Jan 23	12660
1943-44	149889	2667	0	147194	May 25	5840
1944-45	49942	1291	0	47340	Mar 26	3590
1945-46	53467	987	0	62578	Apr 04	4880
1946-47	60442	3369	0	55718	Dec 28	9300
1947-48	14004	973	0	17392	Dec 12	2380
1948-49	5387	799	0	3777	Jun 02	N.D.
1949-50	1901	70	0	834	Dec 05	N.D.
1950-51	5066	180	0	3446	Apr 21	N.D.
1951-52	76910	3188	0	69966	Jan 16	5200
1952-53	47762	1003	0	52075	Nov 03	1280
1953-54	30334	1574	0	29069	Apr 10	3590
1954-55	1593	299	0	557	Apr 15	N.D.
1955-56	3994	491	0	816	Sep 19	N.D.
1956-57	9962	659	0	10574	Apr 12	667
1957-58	216335	2418	0	213390	Apr 05	2740
1958-59	10152	378	0	9665	Feb 16	444
1959-60	2688	359	0	994	Jul 09	N.D.
1960-61	6006	459	0	889	May 16	N.D.
1961-62	74783	1847	0	73031	Feb 15	2160
1962-63	1708	99	0	1957	Feb 09	N.D.
1963-64	1001	36	0	922	Jan 21	N.D.
1964-65	10093	1426	0	8908	Jun 05	1430
1965-66	200376	9263	0	193965	Dec 29	10330
1966-67	203232	3872	0	193246	Dec 06	5320
1967-68	35015	567	0	32902	May 06	675
1968-69	554905	19290	12	554687	Feb 25	29690
1969-70	68267	1558	0	66131	Mar 01	1800
1970-71	27828	496	0	31319	Dec 29	497
1971-72	21193	298	0	15445	Jan 05	302
1972-73	N.D.	840	0	114349	Feb 11	924

N.D. Not determined

R.I. Records incomplete

+ Less than 0.05 Acre Feet or less than 0.05 CFS, but greater than 0

RESERVOIRS – YEARLY RESERVOIR OPERATION SUMMARY

Morris Dam

Season	Inflow Annual (AF)	Inflow		Outflow Annual (AF)	Peak Inflow	
		Max-Day (CFS)	Min-Day (CFS)		Date	Q (CFS)
1973-74	27471	1054	0	30553	Jan 08	3410
1974-75	9838	313	0.2	7366	Nov 20	389
1975-76	2270	47	0.2	2110	Sep 30	125
1976-77						N.D.
1977-78						N.D.
1978-79						N.D.
1979-80						N.D.
1980-81						N.D.
1981-82						N.D.
1982-83						N.D.
1983-84						N.D.
1984-85						N.D.
1985-86						N.D.
1986-87						N.D.
1987-88						N.D.
1988-89						N.D.
1989-90						N.D.
1990-91						N.D.
1991-92						N.D.
1992-93						N.D.
1993-94						N.D.
1994-95	207136	3858	1.3	201716	Jan 10	N.D.
1995-96	41898	454	1.3	47242	Feb 20	N.D.
1996-97	38827	313	1.5	38822		N.D.
1997-98	213739	7805	0	229947	Feb 23	11892
1998-99						N.D.
1999-00	21977	9394	0	23550	Aug 30	N.D.
2000-01	25183	1202	0	21730	Feb 13	N.D.
2001-02	2516.7	29.4	0	4818.5	Jan 27	116
2002-03	41678	763	0	33874	May 29	1874
2003-04	33820	447	0	29180	Oct 06	742
2004-05	510900	17100	1.4	511900	Jan 11	21700

N.D. Not determined

R.I. Records incomplete

+ Less than 0.05 Acre Feet or less than 0.05 CFS, but greater than 0

RESERVOIRS – YEARLY RESERVOIR OPERATION SUMMARY

Pacoima Dam

Season	Inflow Annual (AF)	Inflow		Outflow Annual (AF)	Peak Inflow	
		Max-Day (CFS)	Min-Day (CFS)		Date	Q (CFS)
1929-30	1110	N.D.	N.D.	965		N.D.
1930-31	1082	N.D.	N.D.	886		N.D.
1931-32	8741	N.D.	N.D.	8443		N.D.
1932-33	2160	101	0	2119		N.D.
1933-34	3454	N.D.	N.D.	3493	Jan 01	914
1934-35	5569	84	0	5556		N.D.
1935-36	3098	88	0	3094	Feb 12	248
1936-37	15737	356	0	14210	Feb 14	508
1937-38	25878	2360	0	26796	Mar 02	8320
1938-39	3525	86	0	3080	Dec 19	145
1939-40	3209	156	0	3133	Jan 08	928
1940-41	25785	536	0	25942	Mar 04	815
1941-42	1920	48	0.1	2032	Dec 29	85
1942-43	20698	1250	0.1	20407	Jan 23	2650
1943-44	15004	898	0.4	15167	Feb 22	1790
1944-45	4866	206	0.4	4911	Feb 02	494
1945-46	4600	332	0	2904	Mar 30	564
1946-47	4356	149	0	6029	Nov 20	282
1947-48	369	6.4	0.1	335	Apr 29	12
1948-49	723	10	0.1	740	Mar 05	17
1949-50	1063	19	0.1	1019	Feb 06	26
1950-51	142	1.3	0	69	Apr 29	2.4
1951-52	16794	681	0	4325	Jan 16	1290
1952-53	967	8.5	0	3500	Dec 01	32
1953-54	2952	107	0.1	2941	Jan 25	272
1954-55	748	18	0.1	737	Apr 30	25
1955-56	1466	90	0	1252	Jan 27	179
1956-57	573	9.8	0	773	Jan 13	14
1957-58	15818	714	0	15808	Apr 03	1180
1958-59	783	29	0	708	Jan 06	184
1959-60	131	0.9	0	271	Jan 11	2.2
1960-61	59	6.3	0	11	Nov 12	60
1961-62	6326	584	0.1	6279	Feb 11	811
1962-63	384	8.1	0.1	228	Feb 10	19
1963-64	529	8.3	0.1	722	Jan 22	56
1964-65	1313	70	0.1	1048	Apr 09	160

N.D. Not determined

R.I. Records incomplete

+ Less than 0.05 Acre Feet or less than 0.05 CFS, but greater than 0

RESERVOIRS – YEARLY RESERVOIR OPERATION SUMMARY

Pacoima Dam

Season	Inflow Annual (AF)	Inflow		Outflow Annual (AF)	Peak Inflow	
		Max-Day (CFS)	Min-Day (CFS)		Date	Q (CFS)
1965-66	15553	647	0	15214	Nov 22	2010
1966-67	23605	698	0.4	23600	Dec 06	1380
1967-68	3843	76	0	3833	Nov 21	107
1968-69	43398	2860	0	42998	Feb 25	4710
1969-70	2717	99	0.4	2308	Mar 01	276
1970-71	4806	118	0.5	4994	Nov 29	384
1971-72	1062	36	0.2	802	Dec 26	91
1972-73	7726	696	0.1	7383	Feb 11	1640
1973-74	4197	168	0.2	4154	Jan 08	532
1974-75	2279	48	0.1	2526	Mar 06	97
1975-76	1622	58	0.1	1614	Feb 09	102
1976-77	1424	43	0.3	507	Jan 03	213
1977-78	R.I.					N.D.
1978-79	R.I.					N.D.
1978-80	R.I.					N.D.
1980-81	2731	66	0	3440	Jan 29	167
1981-82	5979	226	.3	4867	Mar 17	590
1982-83	43336	2359	.5	44566	Mar 01	4671
1983-84	3521	88	.2	1386	Dec 25	153
1984-85	2853	79	0	3651	Dec 20	104
1985-86	7886	279	0	7015	Feb 15	N.D.
1986-87	638	7	0	224	Jan 04	9
1987-88	3522	52	.1	3441	Oct 23	93
1988-89	2398	40	0	2065	Feb 04	72
1989-90	784	27	0	817	Feb 17	59
1990-91	3520	127	0	3222	Mar 27	140
1991-92	N.D.	708	0	N.D.	Feb 10	1180
1992-93	40473	929	.1	39814	Jan 13	1186
1993-94	2465	27	0	3354	Feb 08	46
1994-95	23547	351	0	23710	Jan 10	1073
1995-96	7655	389	0	7710	Feb 21	532
1996-97	6497	163	1.2	5417		N.D.
1997-98	31461	1462	0.1	31467	Feb 23	3292
1998-99						N.D.
1999-00	2646	70	0	2675	Feb 22	70.2
2000-01	5038	755	0	4176		N.D.

N.D. Not determined

R.I. Records incomplete

+ Less than 0.05 Acre Feet or less than 0.05 CFS, but greater than 0

RESERVOIRS – YEARLY RESERVOIR OPERATION SUMMARY
--

Pacoima Dam

Season	Inflow Annual (AF)	Inflow		Outflow Annual (AF)	Peak Inflow	
		Max-Day (CFS)	Min-Day (CFS)		Date	Q (CFS)
2001-02	350.9	3.1	0	407.5	Jan 27	23.1
2002-03	3407	110	0	2437	Feb 12	260.9
2003-04	1510	81	0	1520	Feb 26	201
2004-05	48550	2200	0	32650	Jan 09	3510

N.D. Not determined

R.I. Records incomplete

+ Less than 0.05 Acre Feet or less than 0.05 CFS, but greater than 0

RESERVOIRS – YEARLY RESERVOIR OPERATION SUMMARY

Puddingstone Dam

Season	Inflow Annual (AF)	Inflow		Outflow Annual (AF)	Peak Inflow	
		Max-Day (CFS)	Min-Day (CFS)		Date	Q (CFS)
1928-29	114	12	0	151		N.D.
1929-30	295	15	0	223		N.D.
1930-31	73	9.0	0	119		N.D.
1931-32	1547	162	0	1086		N.D.
1932-33	314	30	0	906		N.D.
1933-34	2669	596	0	1809		N.D.
1934-35	610	N.D.	N.D.	846	Jan 15	205
1935-36	703	54	0	969	Apr 10	590
1936-37	5732	303	0	2173	Feb 06	1480
1937-38	12221	2200	0	7544	Mar 02	5310
1938-39	1576	101	0	5305		N.D.
1939-40	646	54	0	2524	Jan 07	448
1940-41	12030	377	0	3308	Mar 04	1080
1941-42	475	30	0	4385	Dec 10	409
1942-43	10043	1130	0	4836	Jan 23	2300
1943-44	3408	525	0	3178	Feb 22	1030
1944-45	1615	139	0	2376	Nov 11	484
1945-46	1591	275	0	6009	Dec 23	929
1946-47	1414	96	0	788	Nov 13	445
1947-48	324	31	0	362	Dec 05	195
1948-49	336	21	0	201	Mar 13	240
1949-50	493	55	0	140	Feb 06	178
1950-51	182	15	0	145	Jan 29	162
1951-52	4,673	353	0	1857	Jan 16	952
1952-53	928	32	0	1140	Dec 01	358
1953-54	31282	244	0	31609	Jan 25	600
1954-55	26065	255	0	23287	Nov 11	338
1955-56	57309	458	0	50771	Jan 26	1360
1956-57	50583	216	0	53781	Jan 13	262
1957-58	6670	302	0	1976	Apr 03	690
1958-59	394	68	0	72	Jan 06	871
1959-60	837	80	0	40	Jan 12	148
1960-61	10900	198	0	9416	Nov 06	N.D.
1961-62	4463	173	0	33	Dec 02	963
1962-63	927	139	0	464	Feb 10	325
1963-64	594	43	0	0	Jan 22	242

N.D. Not determined

R.I. Records incomplete

+ Less than 0.05 Acre Feet or less than 0.05 CFS, but greater than 0

RESERVOIRS – YEARLY RESERVOIR OPERATION SUMMARY

Puddingstone Dam

Season	Inflow Annual (AF)	Inflow		Outflow Annual (AF)	Peak Inflow	
		Max-Day (CFS)	Min-Day (CFS)		Date	Q (CFS)
1964-65	2,675	153	0	7401	Apr 09	1770
1965-66	10456	444	0	3066	Nov 22	1590
1966-67	11508	1090	0	9988	Dec 06	2440
1967-68	15811	174	0	14275	Mar 08	760
1968-69	36802	2830	0	35754	Jan 25	4340
1969-70	1650	163	0.2	+	Mar 01	507
1970-71	1494	149	0.1	4094	Dec 18	365
1971-72	1007	186	+	+	Dec 24	538
1972-73	4038	341	0.1	+	Feb 11	604
1973-74	2409	310	0.1	1069	Jan 07	660
1974-75	1832	153	0	1832	Dec 04	769
1975-76	2644	180	0.1	0	Sep 10	493
1976-77	2655	138	0.1	197	Jan 03	812
1977-78	R.I					N.D.
1978-79	R.I					N.D.
1979-80	R.I					N.D.
1980-81	2115	154	0	515	Jan 29	1132
1981-82	4731	350	0	2598	Mar 18	810
1982-83	15956	764	0	15238	Mar 01	2570
1983-84	2791	192	0	2048	Dec 25	1159
1984-85	2688	143	0	873	Dec 18	236
1985-86	4888	241	0	3150	Mar 16	1058
1986-87	1989	291	0	1118	Jan 04	854
1987-88	4010	143	0	2373	Jan 17	422
1988-89	3539	117	0	2045	Feb 04	211
1989-90	2545	235	0	977	Feb 17	683
1990-91	4461	371	0	2932	Mar 01	1270
1991-92	6781	407	0	5333	Feb 12	959
1992-93	30324	909	0	28674	Jan 18	1992
1993-94	2884	78	0.1	1322	Feb 07	212
1994-95	11261	537	0.1	9927	Jan 10	1411
1995-96	4587	438	0	3275	Feb 20	1460
1996-97	5421	200	0	4382		N.D.
1997-98	15722	626	0.1	13941	Feb 23	1660
1998-99	615			238		N.D.
1999-00	1795	3010	0	656	Feb 24	N.D.

N.D. Not determined

R.I. Records incomplete

+ Less than 0.05 Acre Feet or less than 0.05 CFS, but greater than 0

RESERVOIRS – YEARLY RESERVOIR OPERATION SUMMARY
--

Puddingstone Dam

Season	Inflow Annual (AF)	Inflow		Outflow Annual (AF)	Peak Inflow	
		Max-Day (CFS)	Min-Day (CFS)		Date	Q (CFS)
2000-01	N.D.				Jan 11	597.8
2001-02	1351.5	170.7	0	149.6		N.D.
2002-03	5160	592	0	3147	Mar 16	487.3
2003-04	3370	172	0	1550	Feb 26	242
2004-05	19820	796	0	17890	Feb 19	1320

N.D. Not determined

R.I. Records incomplete

+ Less than 0.05 Acre Feet or less than 0.05 CFS, but greater than 0

RESERVOIRS – YEARLY RESERVOIR OPERATION SUMMARY

Puddingstone Diversion

Season	Inflow Annual (AF)	Inflow		Outflow Annual (AF)	Peak Inflow	
		Max-Day (CFS)	Min-Day (CFS)		Date	Q (CFS)
1935-36	304	48	0	304	Apr 10	85
1936-37	5019	104	0	4646		N.D.
1937-38	11697	1640	0	11506	Mar 02	5760
1938-39	1288	28	0	1293	Jan 10	N.D.
1939-40	350	26	0	155	Jan 08	33
1940-41	7213	133	0	6776	Mar 14	155
1941-42	341	13	0	203	Dec 12	24
1942-43	8593	970	0	7939	Jan 23	2040
1943-44	3406	357	0	3010	Feb 22	724
1944-45	1719	64	0	1294	Feb 02	88
1945-46	970	159	0	773	Dec 23	234
1946-47	1400	55	0	1109	Dec 26	58
1947-48	0	0	0	0		N.D.
1948-49	0	0	0	0		N.D.
1949-50	0	0	0	0		N.D.
1950-51	0	0	0	0		N.D.
1951-52	3366	158	0	2910	Jan 16	201
1952-53	0	0	0	0		N.D.
1953-54	628	57	0	429	Feb 14	82
1954-55	0	0	0	0		N.D.
1955-56	196	34	0	128	Jan 26	93
1956-57	0	0	0	0		N.D.
1957-58	5938	227	0	5172	Apr 03	284
1958-59	89	14	0	49	Feb 18	18
1959-60	0	0	0	0		N.D.
1960-61	146	11	0	64	Nov 26	137
1961-62	3277	152	0	3106	Nov 20	2110
1962-63	827	95	0	515	Feb 09	640
1963-64	112	19	0	67	Jan 22	55
1964-65	873	69	0	538	Apr 09	239
1965-66	6471	320	0	5864	Nov 22	864
1966-67	13656	958	0	12140	Dec 06	2230
1967-68	2744	62	0	2180	Nov 30	125
1968-69	35110	2610	0	34200	Jan 25	5600
1969-70	4005	27	0	2788	Mar 04	62
1970-71	2181	35	0	1524	Dec 21	61

N.D. Not determined

R.I. Records incomplete

+ Less than 0.05 Acre Feet or less than 0.05 CFS, but greater than 0

RESERVOIRS – YEARLY RESERVOIR OPERATION SUMMARY

Puddingstone Diversion

Season	Inflow Annual (AF)	Inflow		Outflow Annual (AF)	Peak Inflow	
		Max-Day (CFS)	Min-Day (CFS)		Date	Q (CFS)
1971-72	764	15	0	488	Dec 24	56
1972-73	3746	163	0	3321	Feb 11	219
1973-74	1660	75	0	1371	Jan 07	110
1974-75	969	15	0	786	Mar 06	46
1975-76	423	9.1	0	333	Mar 01	16
1976-77	844	29	0	578	Jan 03	57
1977-78	R.I.					N.D.
1978-79	R.I.					N.D.
1979-80	R.I.					N.D.
1980-81	2025	21	0	1877	Jan 29	44
1981-82	2856	122	0	2831	Mar 18	260
1982-83	18257	705	0	18272	Mar 01	1867
1983-84	3267	54	0	3259	Dec 25	84
1984-85	1353	37	0	1294	Dec 18	40
1985-86	1324	99	0	1201	Mar 16	104
1986-87	686	18	0	702	Jan 04	49
1987-88	927	38	0	823	Jan 17	214
1988-89	1060	76	0	927	Feb 04	111
1989-90	228	48	0	193	Feb 17	78
1990-91	2079	54	0	2024	Feb 28	195
1991-92	3289	163	0	3277	Feb 12	264
1992-93	25714	698	0	25686	Jan 18	757
1993-94	1475	14	0	1488	Feb 07	23
1994-95	11349	211	0	11349	Jan 10	252
1995-96	3045	71	0	3044	Feb 20	161
1996-97	2468	84	0	2440		N.D.
1997-98	13037	514	0	12996	Feb 24	652
1998-99						N.D.
1999-00	746	46	0	769	Jun 23	55.1
2000-01						N.D.
2001-02	R.I.	R.I.	0	49.2		N.D.
2002-03						N.D.
2003-04	1300	45	0	1100	Dec 25	240
2004-05	25850	1440	0	25690	Jan 09	1920

N.D. Not determined

R.I. Records incomplete

+ Less than 0.05 Acre Feet or less than 0.05 CFS, but greater than 0

RESERVOIRS – YEARLY RESERVOIR OPERATION SUMMARY

San Dimas Dam

Season	Inflow Annual (AF)	Inflow		Outflow Annual (AF)	Peak Inflow	
		Max-Day (CFS)	Min-Day (CFS)		Date	Q (CFS)
1928-29	N.D.	N.D.	0	N.D.		N.D.
1929-30	591	28	0	573		N.D.
1930-31	585	23	0	466		N.D.
1931-32	2502	162	0	2496		N.D.
1932-33	652	50	0	648		N.D.
1933-34	1351	229	0	1357	Jan 01	422
1934-35	1753	60	0	1682	Apr 08	145
1935-36	1094	35	0	1136	Feb 11	155
1936-37	6316	154	0	6126	Feb 06	296
1937-38	12492	1600	0.4	12494	Mar 02	4920
1938-39	2165	43	0.2	2024	Jan 05	80
1939-40	1532	60	0	1600	Jan 08	302
1940-41	9645	131	0.1	9240	Mar 04	235
1941-42	1603	16	0.2	1855	Dec 10	29
1942-43	9271	573	0.5	9095	Jan 23	1700
1943-44	5348	398	0.1	5423	Feb 22	785
1944-45	3747	97	0.9	3811	Nov 11	375
1945-46	2560	149	0.1	2368	Dec 23	519
1946-47	2705	100	0.1	2982	Nov 20	340
1947-48	720	10	0	706	Feb 05	15
1948-49	728	11	0.1	694	Jan 20	19
1949-50	734	25	0.1	750	Dec 18	65
1950-51	300	5.3	0.1	301	Apr 29	16
1951-52	4864	208	0.1	4593	Jan 16	453
1952-53	822	9.8	0.1	1092	Dec 01	25
1953-54	1514	97	0.1	1501	Jan 25	327
1954-55	561	11	0.1	526	Jan 18	27
1955-56	736	98	0.1	767	Jan 26	362
1956-57	452	12	0.1	433	Jan 13	41
1957-58	6786	299	0	6503	Apr 03	753
1958-59	931	37	0.1	1239	Feb 16	189
1959-60	408	6.7	0.1	455	Feb 08	11
1960-61	468	31	0.1	250	Nov 05	397
1961-62	3206	224	+	2664	Nov 20	2520
1962-63	1001	81	0.1	1108	Feb 09	440
1963-64	680	20	0.1	711	Jan 22	121

N.D. Not determined

R.I. Records incomplete

+ Less than 0.05 Acre Feet or less than 0.05 CFS, but greater than 0

RESERVOIRS – YEARLY RESERVOIR OPERATION SUMMARY

San Dimas Dam

Season	Inflow Annual (AF)	Inflow		Outflow Annual (AF)	Peak Inflow	
		Max-Day (CFS)	Min-Day (CFS)		Date	Q (CFS)
1964-65	1118	53	0	1175	Apr 09	232
1965-66	6494	305	0.2	6326	Dec 29	1010
1966-67	12352	674	0	11598	Dec 06	1720
1967-68	3148	80	0.1	3058	Nov 19	414
1968-69	28645	1710	0.7	28808	Jan 25	3620
1969-70	4314	71	0.7	4736	Mar 01	114
1970-71	2465	70	0.5	2125	Nov 29	127
1971-72	1040	33	0.2	1217	Dec 24	77
1972-73	4252	346	0.7	4000	Feb 11	685
1973-74	2447	121	0.3	2389	Jan 07	185
1974-75	1487	28	0.1	1566	Mar 06	67
1975-76	1002	52	0.1	926	Sep 10	443
1976-77	1094	41	0	1146	Jan 03	260
1977-78	R.I.					
1978-79	R.I.					
1979-80	19951	673	2.3	18715	Feb 16	2549
1980-81	3016	37	.8	3216	Jan 29	147
1981-82	3848	161	.2	3700	Mar 17	295
1982-83	17632	527	0	17381	Mar 01	1559
1983-84	3816	55	0	4330	Dec 25	115
1984-85	2554	45	.6	2560	Dec 19	67
1985-86	2401	55	0	2415	Mar 16	89
1986-87	N.D.	10	.1	N.D.	Jan 05	13
1987-88	1821	54	0	1216	Jan 17	157
1988-89	1122	35	0	1225	Feb 04	96
1989-90	731	28	0	462	Feb 17	93
1990-91	1967	112	0	2361	Mar 27	236
1991-92	4037	143	0	3938	Feb 12	403
1992-93	24941	651	0	24446	Jan 14	945
1993-94	2295	17	.2	2424	Feb 07	31
1994-95	10102	177	.8	9801	Jan 10	363
1995-96	4036	149	.2	4097	Feb 20	418
1996-97	13175	81	0	2988		N.D.
1997-98	12122	396	0.3	11948	Feb 23	1194
1998-99						N.D.
1999-00	1243	64	0	1297	Feb 18	N.D.

N.D. Not determined

R.I. Records incomplete

+ Less than 0.05 Acre Feet or less than 0.05 CFS, but greater than 0

RESERVOIRS – YEARLY RESERVOIR OPERATION SUMMARY

San Dimas Dam

Season	Inflow Annual (AF)	Inflow		Outflow Annual (AF)	Peak Inflow	
		Max-Day (CFS)	Min-Day (CFS)		Date	Q (CFS)
2000-01	1695	61	0	1524	Jan 11	473.3
2001-02	490	10.3	0	435.7	Jan 28	25.7
2002-03	2405	246	0	1578	Feb 13	1238
2003-04	1710	190	0	1610	Dec 25	1560
2004-05	24490	1160	0.32	23760	Jan 09	1680

N.D. Not determined
 R.I. Records incomplete
 + Less than 0.05 Acre Feet or less than 0.05 CFS, but greater than 0

RESERVOIRS – YEARLY RESERVOIR OPERATION SUMMARY

San Gabriel Dam

Season	Inflow Annual (AF)	Inflow		Outflow Annual (AF)	Peak Inflow	
		Max-Day (CFS)	Min-Day (CFS)		Date	Q (CFS)
1937-38	339155	30720	37	332893	Mar 02	89320
1938-39	67231	1330	23	61655	Dec 19	2780
1939-40	58554	757	18	63386	Jan 08	2270
1940-41	306801	3940	20	305515	Feb 20	5780
1941-42	50285	297	20	49759	Dec 29	468
1942-43	271286	17180	20	267085	Jan 23	46000
1943-44	184923	5710	43	184622	Feb 22	9860
1944-45	91961	1300	28	90131	Nov 11	6440
1945-46	99531	2980	28	89502	Dec 21	5760
1946-47	107688	3340	18	104088	Dec 26	6520
1947-48	29259	257	9.9	37794	Apr 29	506
1948-49	24728	94	11	21546	Jan 20	120
1949-50	27797	266	9.5	27736	Dec 19	448
1950-51	10169	54	3	13002	Jan 11	174
1951-52	159048	3340	3.9	118918	Jan 16	6130
1952-53	41270	375	7.5	77961	Dec 01	544
1953-54	60515	1280	8.3	56517	Jan 25	2940
1954-55	39159	171	18	37304	Apr 30	313
1955-56	35215	950	14	38127	Jan 26	2250
1956-57	37210	1090	15	35069	Jan 13	2850
1957-58	230745	4270	21	229610	Apr 03	6900
1958-59	43762	1030	14	43100	Jan 06	3080
1959-60	19474	112	5	19258	Apr 28	168
1960-61	12041	122	2.2	12698	Nov 05	634
1961-62	116890	6350	3.4	112380	Feb 11	13960
1962-63	25930	512	6.2	24587	Feb 09	2440
1963-64	24009	287	5.2	22601	Apr 01	504
1964-65	36281	396	5.5	34427	Apr 09	1070
1965-66	220689	9030	12	217503	Dec 29	27180
1966-67	224903	6700	30	224538	Dec 06	12420
1967-68	66761	697	26	68771	Nov 19	1620
1968-69	527883	28020	24	524874	Jan 25	44400
1969-70	66842	1250	26	66688	Feb 28	2550
1970-71	60375	2120	29	55358	Nov 29	6400
1971-72	34908	975	14	38192	Dec 25	1390
1972-73	124722	5075	14.1	124333	Feb 11	17430

N.D. Not determined

R.I. Records incomplete

+ Less than 0.05 Acre Feet or less than 0.05 CFS, but greater than 0

RESERVOIRS – YEARLY RESERVOIR OPERATION SUMMARY

San Gabriel Dam

Season	Inflow Annual (AF)	Inflow		Outflow Annual (AF)	Peak Inflow	
		Max-Day (CFS)	Min-Day (CFS)		Date	Q (CFS)
1973-74	72959	1140	32	67194	Jan 07	1820
1974-75	47681	423	27	46194	Mar 06	880
1975-76	38598	978	18	33781	Sep 11	1630
1976-77	36322	407	15	34846	Jan 03	1137
1977-78	486296	13437	14.9	483712	Mar 04	31730
1978-79	158043	1647	42.9	163511	Mar 28	1965
1979-80	346155	11476	42.5	344454	Feb 16	24540
1980-81	42882	281	15	40116	Jan 29	784
1981-82	95225	1591	19	79833	Mar 17	2869
1982-83	404332	14585	33	402734	Mar 01	17080
1983-84	61069	983	13	75284	Dec 25	1568
1984-85	46633	617	8.5	46101	Dec 19	742
1985-86	103558	1252	14	100926	Jan 30	1911
1986-87	22847	149	3	22919	Jan 05	259
1987-88	66101	574	3.8	49337	Feb 01	814
1988-89	33435	273	4	47683	Dec 16	496
1989-90	18979	248	2.3	17008	Feb 18	388
1990-91	61479	1575	3.3	39454	Mar 01	4294
1991-92	171617	5796	0	193158	Feb 12	11426
1992-93	445072	10181	0	429615	Feb 19	12934
1993-94	44269	312	.6	50441	Feb 08	433
1994-95	248268	3811	12.8	242886	Jan 10	6996
1995-96	72722	2995	2	70533	Feb 21	3822
1996-97	66304	947	5.2	64946		N.D.
1997-98	275500	9169	8.2	237419	Feb 23	22512
1998-99						N.D.
1999-00	43634	1626	3	43713	Feb 21	N.D.
2000-01	58142	629	0	56650	Feb 13	1362.7
2001-02	13861.7	95.5	0	16673.7		N.D.
2002-03	58481	1958	0	58481	Mar 16	2810
2003-04	36750	1160	0	43980	Dec 25	8400
2004-05	537400	19600	0	534000	Jan 11	24700

N.D. Not determined

R.I. Records incomplete

+ Less than 0.05 Acre Feet or less than 0.05 CFS, but greater than 0

RESERVOIRS – YEARLY RESERVOIR OPERATION SUMMARY

Santa Anita Dam

Season	Inflow Annual (AF)	Inflow		Outflow Annual (AF)	Peak Inflow	
		Max-Day (CFS)	Min-Day (CFS)		Date	Q (CFS)
1926-27	1208	13	0.4	1030		N.D.
1927-28	1009	22	0.1	1162		N.D.
1928-29	1214	30	0	1256		N.D.
1929-30	1276	25	0.1	964		N.D.
1930-31	989	34	0	1155		N.D.
1931-32	4010	236	0.1	3883		N.D.
1932-33	2190	152	0	2022	Jan 19	390
1933-34	2603	322	0	2622	Jan 01	800
1934-35	3693	92	0.1	3585	Apr 08	449
1935-36	2480	84	0	2535	Feb 12	228
1936-37	8798	192	0	8616	Feb 06	313
1937-38	16594	1780	1.3	16689	Mar 02	5140
1938-39	2726	74	0.4	2461	Dec 19	159
1939-40	2743	62	0.4	2664	Jan 08	378
1940-41	15225	239	0.4	15235	Mar 04	300
1941-42	2070	25	0.6	2140	Dec 29	53
1942-43	19371	1110	0.6	19440	Jan 23	3100
1943-44	7463	514	1.3	7294	Feb 22	813
1944-45	4147	101	1.1	4133	Nov 11	303
1945-46	3426	164	0.8	3360	Dec 23	492
1946-47	4489	122	0.7	4462	Nov 20	382
1947-48	1075	14	0.3	1243	Apr 28	41
1948-49	1031	17	0.2	983	Jan 20	32
1949-50	1357	30	0.2	1311	Dec 18	115
1950-51	460	4.5	0.1	497	Jan 11	10
1951-52	8408	351	0.1	8292	Jan 16	837
1952-53	1562	20	0.5	1729	Dec 01	153
1953-54	3302	201	0.4	3412	Jan 24	1240
1954-55	1432	18	0.3	1437	Nov 11	173
1955-56	2218	175	0.3	2196	Jan 26	569
1956-57	1535	36	0.5	1431	Feb 23	122
1957-58	11696	298	0.7	11715	Apr 03	618
1958-59	2183	66	0.6	2033	Jan 06	622
1959-60	954	6.5	0.1	1152	Feb 01	16
1960-61	527	12	0.1	407	Jan 26	65
1961-62	6328	682	0.1	6242	Feb 11	1460

N.D. Not determined

R.I. Records incomplete

+ Less than 0.05 Acre Feet or less than 0.05 CFS, but greater than 0

RESERVOIRS – YEARLY RESERVOIR OPERATION SUMMARY

Santa Anita Dam

Season	Inflow Annual (AF)	Inflow		Outflow Annual (AF)	Peak Inflow	
		Max-Day (CFS)	Min-Day (CFS)		Date	Q (CFS)
1962-63	1628	56	0.7	1848	Feb 09	368
1963-64	1219	32	+	1144	Apr 01	53
1964-65	2039	50	0	1988	Apr 09	130
1965-66	13102	600	0.4	12933	Dec 29	1920
1966-67	16245	645	1.5	16261	Dec 06	1520
1967-68	3376	56	0.1	3579	Nov 19	165
1968-69	38734	2292	0.3	38369	Jan 25	5500
1969-70	2859	85	1	2859	Feb 28	208
1970-71	3211	184	1	3075	Nov 29	674
1971-72	1316	36	0.5	1249	Dec 24	99
1972-73	6414	482	0.4	6258	Feb 11	1350
1973-74	4660	174	1.2	4546	Jan 07	280
1974-75	2347	36	0.1	2647	Mar 06	54
1975-76	1580	52	0.2	1469	Mar 01	101
1976-77	1320	35	1	1206	Jan 03	200
1977-78	R.I.					
1978-79	R.I.					
1979-80	R.I.					
1980-81	2221	27	0.6	2210	Jan 29	147
1981-82	3714	127	0.6	3652	Mar 17	213
1982-83	21246	882	0	21325	Mar 02	1197
1983-84	3603	57	0.3	3586	Dec 25	142
1984-85	2363	48	0	2272	Dec 19	102
1985-86	4735	77	0.4	4612	Jan 30	89
1986-87	1041	7.6	0	1174	Jan 05	11
1987-88	2490	37	0.1	2488	Jan 17	87
1988-89	1729	52	0	1599	Feb 04	119
1989-90	737	30	0	740	Feb 17	117
1990-91	2393	92	0	2323	Mar 01	417
1991-92	9339	390	0.2	9292	Feb 11	863
1992-93	23546	558	0.2	23581	Jan 07	909
1993-94	1475	15	0	1565	Mar 24	19
1994-95	12439	242	0.1	12281	Jan 10	587
1995-96	4494	274	0.1	4535	Feb 21	481
1996-97	4970	93	0.1	4934		N.D.
1997-98	13694	787	0	13655	Feb 23	2449

N.D. Not determined

R.I. Records incomplete

+ Less than 0.05 Acre Feet or less than 0.05 CFS, but greater than 0

RESERVOIRS – YEARLY RESERVOIR OPERATION SUMMARY

Santa Anita Dam

Season	Inflow Annual (AF)	Inflow		Outflow Annual (AF)	Peak Inflow	
		Max-Day (CFS)	Min-Day (CFS)		Date	Q (CFS)
1998-99						N.D.
1999-00	1872	35	0	1970	Feb 24	54
2000-01	2712	233	0	2561	Feb 13	N.D.
2001-02	414.2	7.7	0	204.1	Jan 28	14
2002-03	1904	75	0	1925	Mar 16	725.9
2003-04	1460	67	0	1520	Feb 26	229
2004-05	26960	1310	0.52	9350	Jan 09	1350

N.D. Not determined

R.I. Records incomplete

+ Less than 0.05 Acre Feet or less than 0.05 CFS, but greater than 0

RESERVOIRS – YEARLY RESERVOIR OPERATION SUMMARY

Thompson Creek Dam

Season	Inflow Annual (AF)	Inflow		Outflow Annual (AF)	Peak Inflow	
		Max-Day (CFS)	Min-Day (CFS)		Date	Q (CFS)
1931-32	81	12	0	81	Feb 09	91
1932-33	0	0	0	0		N.D.
1933-34	N.D.	N.D.	N.D.	0		N.D.
1934-35	1	N.D.	N.D.	0		N.D.
1935-36	0.5	N.D.	N.D.	0		N.D.
1936-37	274	24	0	0		N.D.
1937-38	1099	259	0	1096	Mar 02	580
1938-39	21	0.6	0	0	Jan 30	1.1
1939-40	49	4.5	0	0	Jan 07	26
1940-41	640	46	0	2.8	Mar 04	97
1941-42	0.3	+	0	0	Dec 10	0.5
1942-43	767	121	0	334	Jan 23	270
1943-44	286	56	0	0	Feb 22	111
1944-45	149	18	0	0	Nov 12	132
1945-46	148	25	0	0	Dec 23	120
1946-47	88	16	0	0	Nov 20	47
1947-48	0	0	0	0		N.D.
1948-49	0	0	0	0		N.D.
1949-50	6.2	2	0	0	Dec 19	4.5
1950-51	0	0	0	0		N.D.
1951-52	314	30	0	34	Jan 16	70
1952-53	12	1.3	0	0	Dec 01	8.2
1953-54	194	19	0	0	Jan 25	172
1954-55	4.4	1	0	0	Jan 18	1.4
1955-56	58	25	0	0	Jan 26	117
1956-57	4.4	2	0	0	Jan 13	5.8
1957-58	389	34	0	219	Apr 03	67
1958-59	5.6	1	0	0	Feb 16	4.7
1959-60	2	0.3	0	0	Apr 28	5.4
1960-61	5.2	1	0	0	Nov 12	3.9
1961-62	101	9.3	0	0	Nov 20	190
1962-63	88	26	0	17	Feb 09	145
1963-64	23	4.2	0	0	Mar 22	20
1964-65	26	9.9	0	0	Apr 09	55
1965-66	258	34	0	0	Nov 23	140
1966-67	842	200	0	305	Dec 06	408

N.D. Not determined

R.I. Records incomplete

+ Less than 0.05 Acre Feet or less than 0.05 CFS, but greater than 0

RESERVOIRS – YEARLY RESERVOIR OPERATION SUMMARY

Thompson Creek Dam

Season	Inflow Annual (AF)	Inflow		Outflow Annual (AF)	Peak Inflow	
		Max-Day (CFS)	Min-Day (CFS)		Date	Q (CFS)
1967-68	167	6.8	0	0	Nov 19	18
1968-69	2556	279	0	2061	Jan 25	574
1969-70	54	4.8	0	1.6	Mar 01	13
1970-71	32	5.5	0	0	Dec 21	12
1971-72	6	1.3	0	0	Dec 27	3
1972-73	161	34	0	7.5	Feb 11	58
1973-74	37	10	0	37	Jan 07	29
1974-75	0	0	0	0		N.D.
1975-76	15	3.5	0	0	Feb 01	3.5
1976-77	37	6.8	0	0		N.D.
1977-78	R.I.					N.D.
1978-79	R.I.					N.D.
1979-80	R.I.					N.D.
1980-81	0	0	0	0		N.D.
1981-82	62	9.4	0	18	Mar 17	40
1982-83	1118	114	0	583	Mar 01	377
1983-84	70	2.7	0	11	Dec 26	4
1984-85	0	0	0	0		N.D.
1985-86	58	9.7	0	58	Mar 16	27
1986-87	0	0	0	0		N.D.
1987-88	2	.3	0	2.1	Jan 17	.9
1988-89	2.1	.3	0	2	Feb 04	.5
1989-90	5.6	.5	0	5.6	Feb 17	.8
1990-91	76	17	0	34	Mar 27	20
1991-92	190	16	0	190	Mar 23	20
1992-93	1267	57	0	1202	Jan 18	166
1993-94	.4	.1	0	.4	Mar 19	1.2
1994-95	330	35	0	330	Jan 10	82
1995-96	392	31	0	392	Feb 20	73
1996-97	48	11	0	48		N.D.
1997-98	526	98	0	525	Feb 23	299
1998-99						N.D.
1999-00	0	0	0	0		N.D.
2000-01						N.D.
2001-02	N.D.	N.D.	N.D.	0		N.D.
2002-03						N.D.

N.D. Not determined

R.I. Records incomplete

+ Less than 0.05 Acre Feet or less than 0.05 CFS, but greater than 0

RESERVOIRS – YEARLY RESERVOIR OPERATION SUMMARY
--

Thompson Creek Dam

Season	Inflow Annual (AF)	Inflow		Outflow Annual (AF)	Peak Inflow	
		Max-Day (CFS)	Min-Day (CFS)		Date	Q (CFS)
2003-04	242	34	0	61	Feb 26	195
2004-05	1800	85	0	1630	Jan 10	280

N.D. Not determined

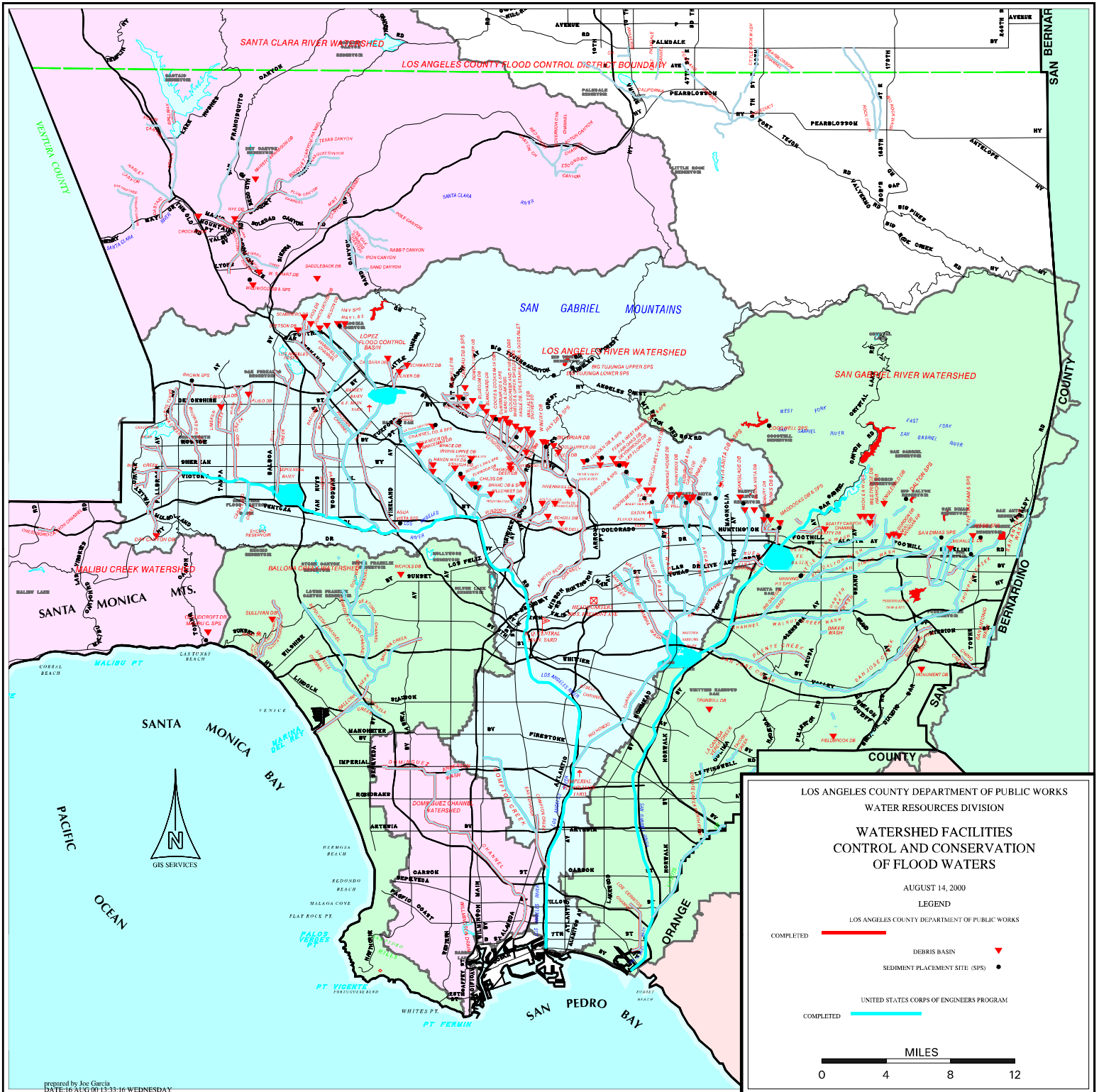
R.I. Records incomplete

+ Less than 0.05 Acre Feet or less than 0.05 CFS, but greater than 0

APPENDIX F

HYDROLOGIC REPORT 2004 – 2005

EROSION CONTROL – LOCATION MAP



APPENDIX G

HYDROLOGIC REPORT 2004 – 2005

WATER CONSERVATION – SUMMARY – DPW FACILITIES

WATER CONSERVATION – SUMMARY – DPW FACILITIES

BEN LOMOND

	Type	SHALLOW
	Season First Used	1958-59
Area	Gross	24 ACRES
	Wetted	17 ACRES
Capacities	Channel**	9,000 CFS
	Intakes	400 CFS
	Storage	168 AF
	Percolation*	30 CFS
	Location	BOTH NORTH AND SOUTH SIDES OF SAN DIMAS WASH CHANNEL AT SOUTHWESTERLY CORNER OF INTERSECTION OF ARROW HIGHWAY AND BARRANCA AVENUE.
	Source of Water	COVINA IRRIGATING COMPANY, UNCONTROLLED RUNOFF, IMPORTED.
	Remarks	SPREADING GROUNDS UTILIZED TO CONSERVE EXCESS COVINA IRRIGATION COMPANY WATER RELEASED FROM THE COMMITTEE OF NINE.
		* THE CAPACITY LISTED IS ESTIMATES OF INFILTRATION RATES.
		** DESIGN CAPACITY OF MAIN CHANNEL.

BIG DALTON

	Type	SHALLOW
	Season First Used	1930-31
Area	Gross	24 ACRES
	Wetted	8 ACRES
Capacities	Channel**	5,000 CFS
	Intakes	45 CFS
	Storage	12 AF
	Percolation*	12 CFS
	Location	WESTERLY SIDE OF BIG DALTON WASH, ONE HALF MILE ABOVE SIERRA MADRE AVENUE.
	Source of Water	CONTROLLED FLOWS FROM BIG DALTON DAM AND BIG DALTON DEBRIS BASIN.
	Remarks	
		* THE CAPACITY LISTED IS ESTIMATES OF INFILTRATION RATES.
		** DESIGN CAPACITY OF MAIN CHANNEL.

BRANFORD

	Type	DEEP
	Season First Used	1956-57
Area	Gross	12 ACRES
	Wetted	7 ACRES
Capacities	Channel**	1,540 CFS
	Intakes	1,540 CFS
	Storage	137 AF
	Percolation*	1 CFS
	Location	SOUTHWESTERLY OF ARLETA AVENUE ABOVE CONFLUENCE OF TUJUNGA WASH AND PACOIMA DIVERSION CHANNEL.
	Source of Water	UNCONTROLLED FLOWS FROM BRANFORD STREET DRAIN.
	Remarks	INSTREAM SPREADING FACILITY. OUTLET CAPACITY 1,540 CFS TO PACOIMA DIVERSION CHANNEL.
		* THE CAPACITY LISTED IS ESTIMATES OF INFILTRATION RATES.
		** DESIGN CAPACITY OF MAIN CHANNEL.

WATER CONSERVATION – SUMMARY – DPW FACILITIES

BUENA VISTA

	Type	DEEP
	Season First Used	1954-55
Area	Gross	10 ACRES
	Wetted	6 ACRES
Capacities	Channel**	2,900 CFS
	Intakes	2,900 CFS
	Storage	177 AF
	Percolation*	6 CFS
	Location	1.0 MILE EASTERLY OF SAWPIT WASH. 0.5 MILE NORTHERLY OF ARROW HIGHWAY, BETWEEN MERIDIAN STREET AND BUENA VISTA CHANNEL.
	Source of Water	CONTROLLED FLOW FROM SANTA FE DAM AND UNCONTROLLED FLOW FROM BUENA VISTA CHANNEL.
	Remarks	INSTREAM SPREADING FACILITY. TOTAL OUTLET CAPACITY OF 270 CFS.
		* THE CAPACITY LISTED IS ESTIMATES OF INFILTRATION RATES.
		** DESIGN CAPACITY OF MAIN CHANNEL.

CITRUS

	Type	SHALLOW
	Season First Used	1960-61
Area	Gross	19 ACRES
	Wetted	15 ACRES
Capacities	Channel**	11,000 CFS
	Intakes	245 CFS
	Storage	80 AF
	Percolation*	28 CFS
	Location	SOUTH SIDE OF BIG DALTON WASH BETWEEN CITRUS AND CERRITOS AVENUES.
	Source of Water	CONTROLLED FLOWS FROM BIG DALTON DAM AND LITTLE DALTON DEBRIS DAMS. UNCONTROLLED FLOWS FROM BIG DALTON WASH.
	Remarks	THERE ARE 2 INTAKES, ONE IS A DROP INLET, THE OTHER AN AIR INFLATED RUBBER DAM.
		* THE CAPACITY LISTED IS ESTIMATES OF INFILTRATION RATES.
		** DESIGN CAPACITY OF MAIN CHANNEL.

DOMINGUEZ GAP

	Type	DEEP
	Season First Used	1957-58
Area	Gross	54 ACRES
	Wetted	24 ACRES
Capacities	Channel**	146,000 CFS
	Intakes	20 CFS
	Storage	234 AF
	Percolation*	1 CFS
	Location	SOUTH OF DEL AMO BOULEVARD AND BORDERS THE EASTERN AND WESTERN SIDES OF THE LOS ANGELES RIVER
	Source of Water	CONTROLLED FLOW FROM LOS ANGELES RIVER LOW FLOW CHANNEL AND UNCONTROLLED FLOWS FROM STORM DRAINS.
	Remarks	EAST SIDE BASIN USED FOR FLOOD REGULATION WITH SOME CONSERVATION STORAGE. INTAKE CAPACITY IS 20 CFS FOR LOW FLOW DIVERSION FROM THE LOS ANGELES RIVER. THE WEST SIDE BASIN IS FED BY A 24-INCH CONCRETE PIPE FROM THE EAST SIDE BASIN.
		* THE CAPACITY LISTED IS ESTIMATES OF INFILTRATION RATES.
		** DESIGN CAPACITY OF MAIN CHANNEL.

WATER CONSERVATION – SUMMARY – DPW FACILITIES

EATON BASIN

	Type	DEEP
	Season First Used	1956-57
Area	Gross	16 ACRES
	Wetted	10 ACRES
Capacities	Channel**	9,500 CFS
	Intakes	400 CFS
	Storage	284 AF
	Percolation*	10 CFS
	Location	EAST SIDE OF EATON WASH, NORTH OF DUARTE ROAD, 0.6 MILES SOUTH OF HUNTINGTON DRIVE.
	Source of Water	CONTROLLED FLOW FROM EATON WASH DAM AND UNCONTROLLED FLOWS BETWEEN DAM AND SPREADING BASIN.
	Remarks	
		* THE CAPACITY LISTED IS ESTIMATES OF INFILTRATION RATES.
		** DESIGN CAPACITY OF MAIN CHANNEL.

EATON WASH

	Type	DEEP & SHALLOW
	Season First Used	1947-48
Area	Gross	28 ACRES
	Wetted	25 ACRES
Capacities	Channel**	6,600 CFS
	Intakes	200 CFS
	Storage	525 AF
	Percolation*	14 CFS
	Location	EASTERLY SIDE OF EATON WASH FROM BELOW EATON DAM TO FOOTHILL BOULEVARD.
	Source of Water	CONTROLLED FLOW FROM EATON WASH DAM. IMPORTED WATER CAN BE SPREAD IN STRIP BASINS.
	Remarks	
		* THE CAPACITY LISTED IS ESTIMATES OF INFILTRATION RATES.
		** DESIGN CAPACITY OF MAIN CHANNEL.

FORBES

	Type	SHALLOW
	Season First Used	1964-65
Area	Gross	21 ACRES
	Wetted	10 ACRES
Capacities	Channel**	9,000 CFS
	Intakes	100 CFS
	Storage	87 AF
	Percolation*	5 CFS
	Location	SOUTH SIDE OF SAN DIMAS WASH BETWEEN LONE HILL AVENUE AND VALLEY CENTER AVENUE.
	Source of Water	CONTROLLED RELEASES FROM PUDDINGSTONE DIVERSION DAM, AND UNCONTROLLED FLOWS FROM SAN DIMAS WASH; ALSO IMPORTED .
	Remarks	
		* THE CAPACITY LISTED IS ESTIMATES OF INFILTRATION RATES.
		** DESIGN CAPACITY OF MAIN CHANNEL.

WATER CONSERVATION – SUMMARY – DPW FACILITIES

HANSEN

	Type	SHALLOW
	Season First Used	1944-45
Area	Gross	156 ACRES
	Wetted	105 ACRES
Capacities	Channel**	22,000 CFS
	Intakes	400 CFS
	Storage	279 AF
	Percolation*	150 CFS
	Location	NORTHWESTERLY SIDE OF TUJUNGA WASH FROM ABOVE GLENOAKS BOULEVARD SOUTHWESTERLY TO SAN FERNANDO ROAD.
	Source of Water	CONTROLLED FLOWS FROM HANSEN DAM AND BIG TUJUNGA DAM.
	Remarks	
		* THE CAPACITY LISTED IS ESTIMATES OF INFILTRATION RATES.
		** DESIGN CAPACITY OF MAIN CHANNEL.

IRWINDALE/MANNING PIT

	Type	DEEP
	Season First Used	1958-59
Area	Gross	62 ACRES
	Wetted	30 ACRES
Capacities	Channel**	25,500 CFS
	Intakes	400 CFS
	Storage	1,134 AF
	Percolation*	60 CFS
	Location	NORTHEASTERLY OF INTERSECTION OF BIG DALTON CHANNEL AND IRWINDALE AVENUE; CONTINUES 1,300 FEET EAST OF IRWINDALE VENUE
	Source of Water	BIG DALTON CHANNEL CONTROLLED FLOWS FROM BIG AND LITTLE DALTON DEBRIS DAMS AND PUDDINGSTONE DIVERSION DAM; UNCONTROLLED FLOWS; ALSO IMPORTED RELEASES .
	Remarks	IRWINDALE CLEANED OUT SUMMER OF 1996.
		* THE CAPACITY LISTED IS ESTIMATES OF INFILTRATION RATES.
		** DESIGN CAPACITY OF MAIN CHANNEL.

LITTLE DALTON

	Type	SHALLOW
	Season First Used	1931-32
Area	Gross	14 ACRES
	Wetted	5 ACRES
Capacities	Channel**	8,600 CFS
	Intakes	20 CFS
	Storage	5 AF
	Percolation*	15 CFS
	Location	WESTERLY OF GLENDORA MT. ROAD FROM LITTLE DALTON DEBRIS BASIN SOUTH TO EAST PALM DRIVE.
	Source of Water	CONTROLLED FLOW FROM LITTLE DALTON DEBRIS BASIN AND IMPORTED WATER. (IMPORTED WATER DELIVERY COMMENCED IN OCTOBER 1995).
	Remarks	
		* THE CAPACITY LISTED IS ESTIMATES OF INFILTRATION RATES.
		** DESIGN CAPACITY OF MAIN CHANNEL.

WATER CONSERVATION – SUMMARY – DPW FACILITIES

LIVE OAK

	Type	SHALLOW
	Season First Used	1961-62
Area	Gross	5 ACRES
	Wetted	2 ACRES
Capacities	Channel**	2,600 CFS
	Intakes	15 CFS
	Storage	2 AF
	Percolation*	13 CFS
	Location	WESTERLY SIDE OF LIVE OAK WASH. NORTH OF BASE LINE ROAD (PROJECTED).
	Source of Water	CONTROLLED FLOW FROM LIVE OAK DAM AND LIVE OAK DEBRIS BASIN
	Remarks	
		* THE CAPACITY LISTED IS ESTIMATES OF INFILTRATION RATES.
		** DESIGN CAPACITY OF MAIN CHANNEL.

LOPEZ

	Type	SHALLOW
	Season First Used	1956-57
Area	Gross	18 ACRES
	Wetted	12 ACRES
Capacities	Channel**	11,000 CFS
	Intakes	25 CFS
	Storage	24 AF
	Percolation*	15 CFS
	Location	SOUTHEASTERLY SIDE OF PACOIMA WASH, NORTHEASTERLY OF FOOTHILL BOULEVARD.
	Source of Water	CONTROLLED FLOW FROM PACOIMA DAM AND LOPEZ FLOOD CONTROL BASIN
	Remarks	
		* THE CAPACITY LISTED IS ESTIMATES OF INFILTRATION RATES.
		** DESIGN CAPACITY OF MAIN CHANNEL.

PACOIMA

	Type	SHALLOW
	Season First Used	1932-33
Area	Gross	169 ACRES
	Wetted	107 ACRES
Capacities	Channel**	17,000 CFS
	Intakes	600 CFS
	Storage	440 AF
	Percolation*	65 CFS
	Location	BOTH SIDES OF OLD PACOIMA WASH CHANNEL FROM ARLETA AVENUE SOUTHWESTERLY TO WOODMAN AVENUE.
	Source of Water	CONTROLLED FLOW FROM PACOIMA DAM. PARTIALLY CONTROLLED FLOW FROM LOPEZ FLOOD CONTROL BASIN, UNCONTROLLED FLOW FROM EAST CANYON AND PACOIMA WASH AND IMPORTED WATER.
	Remarks	
		* THE CAPACITY LISTED IS ESTIMATES OF INFILTRATION RATES.
		** DESIGN CAPACITY OF MAIN CHANNEL.

WATER CONSERVATION – SUMMARY – DPW FACILITIES

PECK ROAD

	Type	DEEP
	Season First Used	1959-60
Area	Gross	157 ACRES
	Wetted	105 ACRES
Capacities	Channel**	30,100 CFS
	Intakes	30,100 CFS
	Storage	3,347 AF
	Percolation*	25 CFS
Location	CONFLUENCE OF SAWPIT AND SANTA ANITA WASHES.	
Source of Water	CONTROLLED RELEASES FROM SANTA ANITA AND SAWPIT DEBRIS BASINS AND UNCONTROLLED FLOWS FROM LOCAL RUNOFF VIA SAWPIT AND SANTA ANITA WASHES.	
Remarks	INSTREAM SPREADING FACILITY.	
	*	THE CAPACITY LISTED IS ESTIMATES OF INFILTRATION RATES.
	**	DESIGN CAPACITY OF MAIN CHANNEL.

RIO HONDO COASTAL

	Type	SHALLOW
	Season First Used	1937-38
Area	Gross	570 ACRES
	Wetted	430 ACRES
Capacities	Channel**	40,000 CFS
	Intakes	1,950 CFS
	Storage	3,694 AF
	Percolation*	400 CFS
Location	EASTERLY SIDE OF RIO HONDO SOUTHERLY FROM S. P. R. R. (SOUTH OF WHITTIER BLVD.) TO SLAUSON AVENUE; WEST SIDE OF RIO HONDO CHANNEL FROM 0.2 MILE ABOVE WHITTIER BOULEVARD SOUTH TO FOSTER BRIDGE BOULEVARD.	
Source of Water	CONTROLLED RELEASES FROM SAN GABRIEL CANYON DAMS, SANTA FE AND WHITTIER NARROWS DAMS. UNCONTROLLED RUNOFF VIA SAN GABRIEL RIVER, RIO HONDO CHANNEL AND THEIR TRIBUTARIES; ALSO IMPORTED AND RECLAIMED WATER.	
Remarks	IN COOPERATION WITH THE CORPS OF ENGINEERS. THE DISTRICT OPERATES 1,200 ACRE-FOOT POOL AT WHITTIER NARROWS DAM FOR RETENTION OF STORM WATER.	
	*	THE CAPACITY LISTED IS ESTIMATES OF INFILTRATION RATES.
	**	DESIGN CAPACITY OF MAIN CHANNEL.

S.G. RIVER (MONTEBELLO FOREBAY)

	Type	SHALLOW
	Season First Used	1954-55
Area	Gross	308 ACRES
	Wetted	308 ACRES
Capacities	Channel**	20,000 CFS
	Intakes	In river Percolation
	Storage	913 AF
	Percolation*	75 CFS
Location	HEADWORKS TO FIRESTONE AVE. ONLY. STORAGE BEHIND THE SEVEN RUBBER DAMS INSTALLED ON DROP STRUCTURE.	
Source of Water	SAME AS SAN GABRIEL COASTAL.	
Remarks		
	*	THE CAPACITY LISTED IS ESTIMATES OF INFILTRATION RATES.
	**	DESIGN CAPACITY OF MAIN CHANNEL.

WATER CONSERVATION – SUMMARY – DPW FACILITIES

S.G. RIVER (SAN GABRIEL VALLEY)

	Type	
	Season First Used	1965-66
Area	Gross	196 ACRES
	Wetted	196 ACRES
Capacities	Channel**	41,000-98,000 CFS
	Intakes	In river Percolation
	Storage	0 AF
	Percolation*	180 CFS
	Location	SAN GABRIEL RIVER FROM SANTA FE DAM TO WHITTIER NARROWS DAM.
	Source of Water	CONTROLLED FLOW FROM DAMS IN SAN GABRIEL CANYON, SANTA FE DAM AND UNCONTROLLED VALLEY RUNOFF BELOW SANTA FE DAM; ALSO IMPORTED WATER.
	Remarks	
		* THE CAPACITY LISTED IS ESTIMATES OF INFILTRATION RATES.
		** DESIGN CAPACITY OF MAIN CHANNEL.

SAN DIMAS CANYON

	Type	SHALLOW
	Season First Used	1965-66
Area	Gross	22 ACRES
	Wetted	11 ACRES
Capacities	Channel**	7,000 CFS
	Intakes	25 CFS
	Storage	22 AF
	Percolation*	12 CFS
	Location	SOUTHEAST SIDE OF SAN DIMAS WASH BETWEEN PUDDINGSTONE DIVERSION AND SAN DIMAS CANYON ROAD.
	Source of Water	CONTROLLED RELEASES FROM PUDDINGSTONE DIVERSION DAM; UNCONTROLLED FLOW FROM LOCAL STORM RUNOFF.
	Remarks	
		* THE CAPACITY LISTED IS ESTIMATES OF INFILTRATION RATES.
		** DESIGN CAPACITY OF MAIN CHANNEL.

SAN GABRIEL CANYON

	Type	DEEP
	Season First Used	1917
Area	Gross	165 ACRES
	Wetted	140 ACRES
Capacities	Channel**	98,000 CFS
	Intakes	150 CFS
	Storage	8,170 AF
	Percolation*	50 CFS
	Location	EASTERLY SIDE OF SAN GABRIEL RIVER. BELOW MOUTH OF SAN GABRIEL CANYON. NORTH OF THE CITY OF AZUSA.
	Source of Water	SAN GABRIEL RIVER CONTROLLED RELEASES FROM COGSWELL DAM, SAN GABRIEL DAM, AND MORRIS DAM. COMMITTEE OF NINE SURPLUS FLOWS AND IMPORTED WATER.
	Remarks	THERE ARE 2 INTAKES TO THIS FACILITY, ONE IS FED FROM SURPLUS 'COMMITTEE OF NINE' FLOWS, THE OTHER IS FROM THE RIVER INTO BASIN NO. 2.
		* THE CAPACITY LISTED IS ESTIMATES OF INFILTRATION RATES.
		** DESIGN CAPACITY OF MAIN CHANNEL.

WATER CONSERVATION – SUMMARY – DPW FACILITIES

SAN GABRIEL COASTAL

	Type	SHALLOW
	Season First Used	1938-39
Area	Gross	128 ACRES
	Wetted	96 ACRES
Capacities	Channel**	20,000 CFS
	Intakes	350 CFS
	Storage	550 AF
	Percolation*	75 CFS
	Location	WESTERLY SIDE OF SAN GABRIEL RIVER, SOUTHERLY FROM WHITTIER BOULEVARD TO WASHINGTON BOULEVARD.
	Source of Water	CONTROLLED RELEASES FROM SAN GABRIEL CANYON DAMS, SANTA FE AND WHITTIER NARROWS DAMS. ALSO IMPORTED AND RECLAIMED WATER.
	Remarks	
		* THE CAPACITY LISTED IS ESTIMATES OF INFILTRATION RATES.
		** DESIGN CAPACITY OF MAIN CHANNEL.

SANTA ANITA

	Type	SHALLOW
	Season First Used	1944-45
Area	Gross	20 ACRES
	Wetted	8 ACRES
Capacities	Channel**	12,000 CFS
	Intakes	20 CFS
	Storage	25 AF
	Percolation*	5 CFS
	Location	WESTERLY SIDE OF SANTA ANITA WASH 1.25 MILES ABOVE FOOTHILL BOULEVARD.
	Source of Water	CONTROLLED FLOW FROM SANTA ANITA DAM AND SANTA ANITA DEBRIS BASIN.
	Remarks	THE HEADWORKS LOCATED UPSTREAM OF THE DEBRIS BASIN DIVERTS WATER TO SANTA ANITA SPREADING GROUNDS AND CITY OF SIERRA MADRE SPREADING GROUNDS
		* THE CAPACITY LISTED IS ESTIMATES OF INFILTRATION RATES.
		** DESIGN CAPACITY OF MAIN CHANNEL.

SANTA FE

	Type	SHALLOW
	Season First Used	1953-54
Area	Gross	338 ACRES
	Wetted	168 ACRES
Capacities	Channel**	98,000 CFS
	Intakes	600 CFS
	Storage	540 AF
	Percolation*	400 CFS
	Location	WITHIN SANTA FE DAM RESERVOIR AND SPILLWAY AREAS.
	Source of Water	CONTROLLED FLOWS FROM SAN GABRIEL CANYON RESERVOIRS. UNCONTROLLED FLOWS FROM SAN GABRIEL RIVER BELOW MORRIS RESERVOIR; ALSO IMPORTED WATER.
	Remarks	NEW DIVERSION HEADWORKS STRUCTURE CONSTRUCTED, CONSISTING OF A NEW RUBBER DAM AND 2 INTAKES GATES.
		* THE CAPACITY LISTED IS ESTIMATES OF INFILTRATION RATES.
		** DESIGN CAPACITY OF MAIN CHANNEL.

WATER CONSERVATION – SUMMARY – DPW FACILITIES

SAWPIT

	Type	SHALLOW
	Season First Used	1946-47
Area	Gross	12 ACRES
	Wetted	4 ACRES
Capacities	Channel**	5,000 CFS
	Intakes	30 CFS
	Storage	13 AF
	Percolation*	12 CFS
	Location	WESTERLY SIDE OF SAWPIT WASH BELOW MOUTH OF CANTON NEAR NORUMBEGA DRIVE, MONROVIA.
	Source of Water	CONTROLLED FLOWS FROM SAWPIT DAM AND SAWPIT DEBRIS BASIN.
	Remarks	
		* THE CAPACITY LISTED IS ESTIMATES OF INFILTRATION RATES.
		** DESIGN CAPACITY OF MAIN CHANNEL.

VALLY BLVD. RUBBER DAM

	Type	SHALLOW
	Season First Used	1994-95
Area	Gross	60 ACRES
	Wetted	60 ACRES
Capacities	Channel**	60,000 CFS
	Intakes	In river Percolation
	Storage	400 AF
	Percolation*	0 CFS
	Location	DROP STRUCTURE SOUTH OF VALLY BLVD, AT THE CONFLUENCE OF THE SAN GABRIEL RIVER AND WALNUT CREEK.
	Source of Water	SAME AS FORBES AND IRWINDALE/MANNING PIT CAN ALSO RECEIVE RELEASE FROM SAN GABRIEL CANYON RERSERVOIRS AND IMPORTED WATER.
	Remarks	
		* THE CAPACITY LISTED IS ESTIMATES OF INFILTRATION RATES.
		** DESIGN CAPACITY OF MAIN CHANNEL.

WALNUT

	Type	DEEP
	Season First Used	1962-63
Area	Gross	16 ACRES
	Wetted	8 ACRES
Capacities	Channel**	8,000 CFS
	Intakes	150 CFS
	Storage	170 AF
	Percolation*	5 CFS
	Location	WEST SIDE OF WALNUT WASH, NORTH OF SAN BERNARDINO FREEWAY.
	Source of Water	CONTROLLED FLOW FROM PUDDINGSTONE DAM AND UNCONTROLLED FLOWS FROM WALNUT CREEK.
	Remarks	BASIN CLEANED OUT SUMMER OF 1995.
		* THE CAPACITY LISTED IS ESTIMATES OF INFILTRATION RATES.
		** DESIGN CAPACITY OF MAIN CHANNEL.

APPENDIX H

HYDROLOGIC REPORT 2004 – 2005

WATER CONSERVATION – SUMMARY – NON DPW FACILITIES

WATER CONSERVATION – SUMMARY – NON DPW FACILITIES

FISH CANYON (COMMITTEE OF NINE)

Type SHALLOW BASINS
Season First Used ABOUT 1917
Area **Gross** 6 ACRES
 Wetted 4.0 ACRES
Capacities **Channel**** CFS
 Intakes CFS
 Storage AF
Percolation* 7 CFS
Location WESTERLY SIDE OF SAN GABRIEL RIVER BELOW MOUTH OF FISH CANYON AND NORTH OF THE CITY OF AZUSA.
Source of Water THE 'COMMITTEE OF NINE'.
Remarks OWNED AND OPERATED BY CAL-AMERICAN WATER COMPANY.
 * THE CAPACITY LISTED IS ESTIMATES OF INFILTRATION RATES.
 ** DESIGN CAPACITY OF MAIN CHANNEL.

SIERRA MADRE (CITY OF SIERRA MADRE)

Type SHALLOW BASINS
Season First Used ABOUT 1933
Area **Gross** 22 ACRES
 Wetted 9.0 ACRES
Capacities **Channel**** CFS
 Intakes 25 CFS
 Storage 47 AF
Percolation* 15 CFS
Location CITY OF SIERRA MADRE, SOUTH SIDE OF GRANDVIEW AVENUE, ONE HALF MILE WEST OF SANTA ANITA AVENUE.
Source of Water LITTLE SANTA ANITA CREEK AND STREET RUNOFF ALSO CONTROLLED FLOWS FROM SANTA ANITA DAM.
Remarks THE DEPARTMENT DIVERTS WATER TO THIS FACILITY VIA SANTA ANITA HEADWORKS.
 * THE CAPACITY LISTED IS ESTIMATES OF INFILTRATION RATES.
 ** DESIGN CAPACITY OF MAIN CHANNEL.

THOMPSON CREEK POMONA VALLEY PROTECTIVE ASSOCIATION

Type DITCHES CHECKS AND DEEP BASIN
Season First Used ABOUT 1928
Area **Gross** 53 ACRES
 Wetted 37.0 ACRES
Capacities **Channel**** CFS
 Intakes 35 CFS
 Storage AF
Percolation* 15 CFS
Location SOUTHERLY FROM, AND ADJACENT TO THOMPSON CREEK DAM, EAST SIDE OF CREEK
Source of Water COBAL, WILLIAMS, PALMER, AND PADUA CREEKS, ALSO THOMPSON CREEK, WHEN RESERVOIR ABOVE ELEVATION 1,625.
Remarks OPERATED BY POMONA VALLEY PROTECTIVE ASSOCIATION. THE DEPARTMENT DIVERTS WATER TO THIS FACILITY VIA THE PALMER DIVERSION.
 * THE CAPACITY LISTED IS ESTIMATES OF INFILTRATION RATES.
 ** DESIGN CAPACITY OF MAIN CHANNEL.

WATER CONSERVATION – SUMMARY – NON DPW FACILITIES

TUJUNGA (L.A. CITY DEPT. OF WATER AND POWER)

	Type	SHALLOW BASINS
	Season First Used	ABOUT 1931-32
Area	Gross	188 ACRES
	Wetted	83.2 ACRES
Capacities	Channel**	22000.0 CFS
	Intakes	400 CFS
	Storage	100 AF
	Percolation*	120 CFS
	Location	SAN FERNANDO VALLEY, EAST SIDE OF TUJUNGA WASH AT ROSCOE BOULEVARD
	Source of Water	CONTROLLED RELEASES FROM BIG TUJUNGA CAM, HANSEN DAM AND UNCONTROLLED RUNOFF FROM STORM DRAINS, ALSO IMPORTED WATER.
	Remarks	THE DEPARTMENT HAS AN AGREEMENT WITH THE CITY OF LOS ANGELES TO OPERATE THIS FACILITY.
		* THE CAPACITY LISTED IS ESTIMATES OF INFILTRATION RATES.
		** DESIGN CAPACITY OF MAIN CHANNEL.

APPENDIX I

HYDROLOGIC REPORT 2004 – 2005

WATER CONSERVATION – SUMMARY – WATER CONSERVED

WATER CONSERVATION – SUMMARY – WATER CONSERVED

Los Angeles County Department of Public Works
Total Monthly Water Conserved (acre-feet) during Water Year 2004-2005

AREA	SPREADING FACILITY	OCT	NOV	DEC	JAN	FEB	MAR	APR	MAY	JUN	JUL	AUG	SEP	ACC TOT	Historic Average	Historic High	
																Amnt	Wtr Yr
San Fernando Valley Facilities	Brandford	128	25	135	532	243	120	90	61	46	43	14	11	1448	400	1448	2004-05
	Hansen	2090	1240	2430	5750	3960	5620	5570	2520	11	1370	1680	1060	33301	10897	35221	1982-83
	Lopez	0	313	2	39	36	250	+	206	63	31	0	0	940	568	1938	196768
	Pacoima	640	15	884	4170	2620	5020	935	1500	822	788	0	0	17394	1956	22973	1982-83
	Tujunga*	542	0	499	3760	961	3820	3720	3240	4120	453	0	0	21115	9384	42817	1982-83
	Tujunga Wash	362	1027	2546	13498	8452	6545	2137	1247	1704	889	668	77	39602			
	SUBTOTAL1	3762	2620	6496	28199	16272	21375	12452	8774	6766	3574	2362	1148	113800	26205		
San Gabriel Valley Facilities	Ben Lomond	61	529	140	1200	638	413	511	443	1170	678	1500	877	8160	2969	8160	2004-05
	Big Dalton	0	26	0	248	212	216	44	369	0	265	398	0	1778	658	3766	1966-67
	Buena Vista	40	21	46	38	37	14	7	11	13	9	6	6	248	665	2731	1957-58
	Citrus	41	114	297	532	370	904	243	302	148	114	+	46	3111	874	6478	1994-95
	Eaton Basin	279	47	272	418	211	518	169	93	176	106	56	119	2464	1008	3481	1982-83
	Eaton Grounds	9	52	19	982	755	985	900	457	30	8	+	0	4197	962	4761	1982-83
	Forbes	87	140	30	121	232	0	118	121	377	198	122	81	1627	823	2628	1986-87
	Irwindale	503	683	592	1780	1260	898	869	728	1210	1350	1010	939	11822	5162	41280	1991-92
	Little Dalton	0	0	0	0	0	0	144	88	56	25	36	5	354	422	5546	1995-96
	Live Oak	0	0	0	77	90	37	157	191	118	21	0	92	783	221	1660	1982-83
	Peck Road	1950	342	1670	17900	8040	7250	1510	593	3650	194	74	139	43312	7925	50026	1982-83
	San Dimas Canyon	+	71	2	0	73	394	428	314	315	405	12	441	2455	1919	6049	1982-83
	San Gabriel Canyon	4430	2030	2460	2850	2470	2340	2110	1840	1930	3130	2530	2910	31030	10699	33577	2002-03
	Santa Anita	151	24	51	201	280	311	234	120	64	9	106	52	1603	487	1641	1965-66
	Santa Fe SG	0	0	29	8150	7440	23100	24600	21500	4760	4740	11600	9400	115319	26547	124478	1982-83
	Sawpit	0	0	9	179	249	711	398	268	216	112	159	139	2440	781	2926	1982-83
	Walnut	220	436	134	236	216	250	319	454	282	262	242	210	3261	1220	3261	2004-05
	Whittier Narrows Reservoir	2321	1071	2780	10759	1864	10632	3679	2042	1053	248	138	957	37544	30591	102610	1991-92
Sierra Madre*	260	109	117	65	364	317	767	571	410	160	181	139	3460	1765	5003	1966-67	
Fish Canyon*	384	656	743	402	308	432	570	693	1024	848	628	595	7283	6142	9737	1978-79	
S.G. River Perc. Reach from Morris Dam to W.N. Dam	Morris Dam to Sta. F190	429	725	859	19144	13107	5133	3978	6668	3376	1200	2753	2222	59594	21906	119600	1977-78
	Sta. F190 to Santa Fe Dam O/F	72	245	294	6560	4670	1834	1357	2096	1053	376	877	712	20146	13933	141600	1968-69
	Santa Fe Dam O/F to Sta. F263	920	2541	3537	38729	31754	11542	7051	2166	1558	1280	996	1273	103347	18731	103347	2004-05
	SUBTOTAL2	12157	9862	14081	110571	74640	68231	50163	42128	22989	15738	23424	21354	465338	156410		
Coastal Plain Facilities	Rio Hondo Coastal	10416	7418	14008	12887	8512	13425	8175	6187	6792	62	+	61	87943	65404	96363	1978-79
	San Gabriel Coastal	9186	1060	10050	10740	13490	7388	6770	4177	2861	4126	6197	1790	77835	30247	81586	1992-93
	Dominguez Gap	139	0	127	83	141	38	0	0	0	0	0	24	552	575	2414	1961-62
	SUBTOTAL3	19741	8478	24185	23710	22143	20851	14945	10364	9653	4188	6197	1875	166330	96226		
	Total Water																
Conserved		35660	20960	44762	162480	113055	110457	77560	61266	39408	23500	31983	24377	745468	278841		

NOTES: * Owned by other entities.

e Estimated.

+ Less than One AF.

‡ Reach from below Big Tujunga to Hansen Dam.

APPENDIX J

HYDROLOGIC REPORT 2004 – 2005

WATER CONSERVATION – SUMMARY – IMPORTED WATER

WATER CONSERVATION – SUMMARY – IMPORTED WATER

IMPORTED WATER OUTLET RELEASES: *Water Delivered in Acre-Feet*

	San Dimas	Thompson Creek	Alhambra	USG 3		TVMWD	SGVMWD						Waste to Ocean	Monthly Total Spread
	CB48	CB28	CB36	MSGB/ Santa Fe	S.G. Cyn. S.G.	PM26	S.G. Cyn		Beatty Cyn	San Dimas				
							Basin 1	MSGB		CB	MSGB	Forbes		
OCT	3.0	0.0	0	0.0	836.4	0.0	0	2603.0	0	0	142.0	0.0	0	3,584.4
NOV	0.0	5937.4	0	1223.0	1184.0	0.0	0	0.0	0	0	1054.0	140.0	0	9,538.4
DEC	9287.7	6195.4	0	1983.8	517.1	0.0	0	1081.1	0	709	18.8	0.0	0	20,138.0
JAN	0.0	0.0	0	0.0	0.0	0.0	0	0.0	0	0	316.0	0.0	0	316.0
FEB	0.0	0.0	0	0.0	0.0	0.0	0	0.0	0	180	0.0	0.0	0	270.1
MAR	0.0	0.0	0	0.0	0.0	0.0	0	0.0	0	0	0.0	0.0	0	0.0
APR	0.0	0.0	0	0.0	0.0	0.0	0	0.0	0	0	0.0	0.0	0	0.0
MAY	0.0	0.0	0	0.0	0.0	0.0	0	0.0	0	0	324.0	74.0	0	487.0
JUN	0.0	0.0	0	0.0	0.0	0.0	0	0.0	0	0	2056.0	351.0	0	2,498.0
JUL	0.0	0.0	0	0.0	0.0	0.0	0	680.0	0	0	1588.0	197.0	0	2,465.0
AUG	0.0	2983.7	0	526.6	515.6	0.0	0	313.0	0	0	2033.0	122.0	0	6,493.9
SEP	0.0	0.0	0	3155.5	1680.8	0.0	0	754.8	0	0	1433.0	81.0	0	7,312.4
TOTAL	9290.7	15116.5	0	6888.9	4733.9	0.0	101	5431.9	0	889	8964.8	965.0	0	53,103.2

APPENDIX K

HYDROLOGIC REPORT 2004 – 2005

WATER CONSERVATION – SUMMARY – RECLAIMED WATER

WATER CONSERVATION – SUMMARY – RECLAIMED WATER

RECLAIMED WATER : *Water Delivered in Acre-Feet*

	WHITTIER NARROWS PLANT				SAN JOSE PLANT				POMONA PLANT				MONTHLY TOTAL WASTED	MONTHLY TOTAL SPREAD
	Delivered		Wasted	Monthly Spread	Delivered		Wasted	Monthly Spread	Delivered		Wasted	Monthly Spread		
	Rio Hondo	San Gabriel			Rio Hondo	San Gabriel			Rio Hondo	San Gabriel				
OCT	665.3	170.0	154.9	680.4	600.2	1558.5	361.1	1797.6	119.3	262.4	31.6	350.0	547.6	2828.1
NOV	800.2	0	1.8	798.4	1874.2	171.5	0	2045.7	347.6	26.0	2.0	371.6	3.8	3215.7
DEC	849.7	0	84.3	765.4	868.2	1253.9	289.1	1833.1	163.2	207.4	67.3	303.3	440.6	2091.8
JAN	827.7	0	623.1	204.6	1668.7	674.5	1938.0	405.2	0	345.5	293.8	51.8	2854.9	661.6
FEB	726.4	0	310.9	415.5	0	2282.9	2100.5	182.4	0	503.4	419.2	84.3	2830.5	682.2
MAR	733.9	0	507.6	226.3	375.9	1722.5	666.9	1431.5	83.1	442.6	98.9	426.8	1273.4	2084.6
APR	136.9	548.6	0	685.5	129.0	1848.8	35.0	1942.8	17.6	172.5	0	190.1	35.0	2818.4
MAY	0	750.1	0	750.1	0	2043.0	0	2043.0	0	187.8	0	187.8	0	2980.9
JUN	0	21.0	0	21.0	0	2031.7	0	2031.7	0	50.1	0	50.1	0	2102.8
JUL	0	691.5	0	691.5	0	2574.3	0	2574.3	0	4.7	0	4.7	0	3270.5
AUG	0	726.8	0	726.8	0	2597.9	0	2597.9	0	21.2	0	21.2	0	3345.9
SEP	617.1	158.1	0	775.2	0	1661.8	0	1661.8	0	173.5	0	173.5	0	2610.5
TOTAL	5357.2	3066.1	1682.6	6740.7	5516.2	20421.4	5390.5	20547.0	730.8	2397.2	912.8	2215.2	7985.9	29502.9

APPENDIX L

HYDROLOGIC REPORT 2004 – 2005

WATER CONSERVATION – SUMMARY – GROUND WATER

WATER CONSERVATION – SUMMARY – GROUND WATER

GROUND WATER FLUCTUATION:**Location : Coastal Plain, City of Long Beach****Ground Surface Elevation: 26.6 ft above MSL**

STATION	460K
	WS Elev.
Jan-50	-30.1
Feb-50	-30.7
Mar-50	-27.3
Apr-50	-45.6
May-50	-41.4
Jun-50	-45.1
Jul-50	-49.6
Aug-50	-56.9
Sep-50	-51.9
Oct-50	-55.3
Nov-50	-60.7
Dec-50	-43.8
Jan-51	-49.9
Feb-51	-49.4
Mar-51	-54
Apr-51	-66.9
May-51	-57.9
Jun-51	-67.7
Jul-51	-67.1
Aug-51	-77.2
Sep-51	-70.4
Oct-51	-73.3
Nov-51	-67.6
Dec-51	-53.8
Jan-52	-46.8
Feb-52	-45.7
Mar-52	-44.7
Apr-52	-47.4
May-52	-40.3
Jun-52	-45.9
Jul-52	-62.7
Aug-52	-74
Sep-52	-76.4
Oct-52	-72.4
Nov-52	-65
Dec-52	-47.7
Jan-53	-43.2
Feb-53	-42.4

WATER CONSERVATION – SUMMARY – GROUND WATER

GROUND WATER FLUCTUATION:**Location : Coastal Plain, City of Long Beach****Ground Surface Elevation: 26.6 ft above MSL**

STATION	460K
	WS Elev.
Mar-53	-49.9
Apr-53	-61.6
May-53	-60.6
Jun-53	-71.9
Jul-53	-80.9
Aug-53	-83.5
Sep-53	-78.4
Oct-53	-78.7
Nov-53	-72.3
Dec-53	-63.3
Jan-54	-58.9
Feb-54	-49
Mar-54	-58.3
Apr-54	-54.4
May-54	-61
Jun-54	-75.2
Jul-54	-80.4
Aug-54	-87.4
Sep-54	-88.9
Oct-54	-82.9
Nov-54	-74.9
Dec-54	-63.7
Jan-55	-63.6
Feb-55	-51.3
Mar-55	-59.4
Apr-55	-67.1
May-55	-59.2
Jun-55	-70.7
Jul-55	-77.7
Aug-55	-86.2
Sep-55	-93.3
Oct-55	-93.7
Nov-55	-78.7
Dec-55	-69.3
Jan-56	-72.7
Feb-56	-68.1
Mar-56	-74.7
Apr-56	-83.5

WATER CONSERVATION – SUMMARY – GROUND WATER

GROUND WATER FLUCTUATION:

Location : Coastal Plain, City of Long Beach

Ground Surface Elevation: 26.6 ft above MSL

STATION	460K
	WS Elev.
May-56	-82.3
Jun-56	-87.7
Jul-56	-90
Aug-56	-99
Sep-56	-100.8
Oct-56	-101.3
Nov-56	-97.7
Dec-56	-98.2
Jan-57	-94.6
Feb-57	-69.6
Mar-57	-65.4
Apr-57	-69.4
May-57	-87.4
Jun-57	-88.3
Jul-57	-92.5
Aug-57	-95
Sep-57	-99
Oct-57	-100
Nov-57	-85
Dec-57	-84.1
Jan-58	-76.8
Feb-58	-72.9
Mar-58	-77.5
Apr-58	-70.6
May-58	-87.5
Jun-58	-92.2
Jul-58	-95.4
Aug-58	-93.6
Sep-58	-91.7
Oct-58	-87.6
Nov-58	-84
Dec-58	-82.8
Jan-59	-78.7
Feb-59	-78.3
Mar-59	-74
Apr-59	-81.2
May-59	-82.9
Jun-59	-87.5

WATER CONSERVATION – SUMMARY – GROUND WATER

GROUND WATER FLUCTUATION:**Location : Coastal Plain, City of Long Beach****Ground Surface Elevation: 26.6 ft above MSL**

STATION	460K
	WS Elev.
Jul-59	-94.2
Aug-59	-96.2
Sep-59	-98.2
Oct-59	-96.7
Nov-59	-95.2
Dec-59	-93.5
Jan-60	-83.6
Feb-60	-81.5
Mar-60	-85.8
Apr-60	-83.5
May-60	-75.3
Jun-60	-74.2
Jul-60	-76.5
Aug-60	-92.2
Sep-60	-84.2
Oct-60	-95
Nov-60	-91.3
Dec-60	-76.6
Jan-61	-74.2
Feb-61	-81.8
Mar-61	-91
Apr-61	-92.5
May-61	-81.2
Jun-61	-108.8
Jul-61	-111.7
Aug-61	-112.9
Sep-61	-113
Oct-61	-106.8
Nov-61	-101.4
Dec-61	-92.7
Jan-62	-80.7
Feb-62	-78.1
Mar-62	-74.8
Apr-62	-76.1
May-62	-92.7
Jun-62	-91.7
Jul-62	-100.1
Aug-62	-107.6

WATER CONSERVATION – SUMMARY – GROUND WATER

GROUND WATER FLUCTUATION:**Location : Coastal Plain, City of Long Beach****Ground Surface Elevation: 26.6 ft above MSL**

STATION	460K
	WS Elev.
Sep-62	-109.9
Oct-62	-103.9
Nov-62	-73
Dec-62	-64.4
Jan-63	-55.3
Feb-63	-50.9
Mar-63	-48.7
Apr-63	-47.3
May-63	-48.1
Jun-63	-49.3
Jul-63	-50.5
Aug-63	-63.1
Sep-63	-68.8
Oct-63	-60.4
Nov-63	-46.8
Dec-63	-33.4
Jan-64	-36.4
Feb-64	-33
Mar-64	-31.6
Apr-64	-32.6
May-64	-39.4
Jun-64	-45.9
Jul-64	-47.7
Aug-64	-52
Sep-64	-53.9
Oct-64	-50.5
Nov-64	-40.9
Dec-64	-34.7
Jan-65	-30.7
Feb-65	-30.3
Mar-65	-32.7
Apr-65	-32
May-65	-35.7
Jun-65	-40.3
Jul-65	-40.1
Aug-65	-45.8
Sep-65	-49.5
Oct-65	-44.6

WATER CONSERVATION – SUMMARY – GROUND WATER

GROUND WATER FLUCTUATION:

Location : Coastal Plain, City of Long Beach

Ground Surface Elevation: 26.6 ft above MSL

STATION	460K
	WS Elev.
Nov-65	-42
Dec-65	-30.6
Jan-66	-26
Feb-66	-24.9
Mar-66	-26.5
Apr-66	-28.8
May-66	-32.2
Jun-66	-43
Jul-66	-48.9
Aug-66	-46.8
Sep-66	-49.5
Oct-66	-45.4
Nov-66	-40.2
Dec-66	-30.1
Jan-67	-24.5
Feb-67	-21.8
Mar-67	-21.7
Apr-67	-20.4
May-67	-16.5
Jun-67	-23.2
Jul-67	-29.8
Aug-67	-41.6
Sep-67	-43.4
Oct-67	-34.5
Nov-67	-35.4
Dec-67	-30.5
Jan-68	-26.9
Feb-68	-24.4
Mar-68	-25
Apr-68	-25.5
May-68	-37.2
Jun-68	-40.9
Jul-68	-40.6
Aug-68	-46.3
Sep-68	-51.3
Oct-68	-46.6
Nov-68	-38.5
Dec-68	-34.1

WATER CONSERVATION – SUMMARY – GROUND WATER

GROUND WATER FLUCTUATION:**Location : Coastal Plain, City of Long Beach****Ground Surface Elevation: 26.6 ft above MSL**

STATION	460K
	WS Elev.
Jan-69	-30.4
Feb-69	-25.8
Mar-69	-26
Apr-69	-26
May-69	-33.9
Jun-69	-42.4
Jul-69	-47.7
Aug-69	-49.1
Sep-69	-51.7
Oct-69	-57
Nov-69	-44.7
Dec-69	-39.2
Jan-70	-34.6
Feb-70	-29.4
Mar-70	-27.1
Apr-70	-31
May-70	-34.5
Jun-70	-39.2
Jul-70	-38.4
Aug-70	-40
Sep-70	-43.7
Oct-70	-52.5
Nov-70	-50.8
Dec-70	-39.5
Jan-71	-31.7
Feb-71	-30
Mar-71	-32.8
Apr-71	-37.8
May-71	-38.2
Jun-71	-39.9
Jul-71	-51
Aug-71	-52.2
Sep-71	-50.1
Oct-71	-54.7
Nov-71	-57
Dec-71	-46.3
Jan-72	-34.2
Feb-72	-32.3

WATER CONSERVATION – SUMMARY – GROUND WATER

GROUND WATER FLUCTUATION:**Location : Coastal Plain, City of Long Beach****Ground Surface Elevation: 26.6 ft above MSL**

STATION	460K
	WS Elev.
Mar-72	-34.3
Apr-72	-40.5
May-72	-44.5
Jun-72	-59.5
Jul-72	-53.5
Aug-72	-64.5
Sep-72	-73.3
Oct-72	-69.2
Nov-72	-60.8
Dec-72	-46.3
Jan-73	-40.2
Feb-73	-38.8
Mar-73	-33.8
Apr-73	-37.9
May-73	-49.5
Jun-73	-59.8
Jul-73	-68.3
Aug-73	-71.1
Sep-73	-69.7
Oct-73	-69.4
Nov-73	-67.5
Dec-73	-52.9
Jan-74	-54.7
Feb-74	-51.7
Mar-74	-54.4
Apr-74	-50.6
May-74	-62.7
Jun-74	-63.9
Jul-74	-69.7
Aug-74	-73.6
Sep-74	-73.6
Oct-74	-76.3
Nov-74	-71.7
Dec-74	-68.8
Jan-75	-58.1
Feb-75	-55.5
Mar-75	-48.1
Apr-75	-45.9

WATER CONSERVATION – SUMMARY – GROUND WATER

GROUND WATER FLUCTUATION:**Location : Coastal Plain, City of Long Beach****Ground Surface Elevation: 26.6 ft above MSL**

STATION	460K
	WS Elev.
May-75	-47.1
Jun-75	-58.9
Jul-75	-70
Aug-75	-74.7
Sep-75	-71.1
Oct-75	-78.3
Nov-75	-75
Dec-75	-72.8
Jan-76	-70
Feb-76	-66.8
Mar-76	-66.1
Apr-76	-69.4
May-76	-70.5
Jun-76	-76.6
Jul-76	-85.4
Aug-76	-85.7
Sep-76	-88
Oct-76	-77.7
Nov-76	-84.2
Dec-76	-78.9
Jan-77	-74.2
Feb-77	-67.2
Mar-77	-66.8
Apr-77	-74.6
May-77	-84.7
Jun-77	-78.9
Jul-77	-88.7
Aug-77	-92.1
Sep-77	-90.4
Oct-77	-90.2
Nov-77	-87.8
Dec-77	-85.2
Jan-78	-78.8
Feb-78	-65.4
Mar-78	-64.1
Apr-78	-63.4
May-78	-50.4
Jun-78	-63.2

WATER CONSERVATION – SUMMARY – GROUND WATER

GROUND WATER FLUCTUATION:

Location : Coastal Plain, City of Long Beach

Ground Surface Elevation: 26.6 ft above MSL

STATION	460K
	WS Elev.
Jul-78	-82.8
Aug-78	-80.9
Sep-78	-83.6
Oct-78	-85.1
Nov-78	-76.1
Dec-78	-66.7
Jan-79	-62
Feb-79	-53.6
Mar-79	-43.5
Apr-79	-42.6
May-79	-53.6
Jun-79	-62.9
Jul-79	-77.1
Aug-79	-85.8
Sep-79	-89.5
Oct-79	-85.2
Nov-79	-83.5
Dec-79	-83.7
Jan-80	-66.8
Feb-80	-57.5
Mar-80	-55.9
Apr-80	-58.9
May-80	-59.1
Jun-80	-69.1
Jul-80	-79.4
Aug-80	-84.9
Sep-80	-86.3
Oct-80	-82.5
Nov-80	-80.3
Dec-80	-77.5
Jan-81	-63.4
Feb-81	-52.1
Mar-81	-49.6
Apr-81	-48.8
May-81	-64.4
Jun-81	-69.1
Aug-81	-72.5
Sep-81	-79

WATER CONSERVATION – SUMMARY – GROUND WATER
--

GROUND WATER FLUCTUATION:**Location : Coastal Plain, City of Long Beach****Ground Surface Elevation: 26.6 ft above MSL**

STATION	460K
	WS Elev.
Nov-81	-64.8
Dec-81	-71.8
Jan-82	-45.1
Feb-82	-49.7
Mar-82	-52.3
Apr-82	-59
Jul-82	-69
Aug-82	-74.2
Sep-82	-73.8
Nov-82	-68
Dec-82	-61.5
Jan-83	-51.6
Feb-83	-52.7
Mar-83	-49.3
Apr-83	-47.8
May-83	-57.5
Jun-83	-63.7
Jul-83	-66.7
Aug-83	-66.7
Sep-83	-53.3
Oct-83	-46.3
Nov-83	-45.5
Dec-83	-21.7
Jan-84	-19.1
Feb-84	-17.5
Mar-84	-21.4
Apr-84	-24.6
May-84	-48
Jun-84	-58.7
Jul-84	-58.7
Aug-84	-61.9
Sep-84	-66.7
Oct-84	-62.4
Nov-84	-53.2
Dec-84	-44.3
Jan-85	-35.3
May-85	-40.4
Jun-85	-44.8

WATER CONSERVATION – SUMMARY – GROUND WATER

GROUND WATER FLUCTUATION:**Location : Coastal Plain, City of Long Beach****Ground Surface Elevation: 26.6 ft above MSL**

STATION	460K
	WS Elev.
Jul-85	-56
Aug-85	-59.9
Sep-85	-59.1
Oct-85	-48.8
Nov-85	-49.3
Dec-85	-42.9
Jan-86	-38.5
Mar-86	-38.7
Apr-86	-43.8
May-86	-44.1
Jun-86	-56.9
Jul-86	-54.3
Aug-86	-66.8
Sep-86	-58.1
Oct-86	-52.3
Nov-86	-43.6
Dec-86	-43.6
Jan-87	-45.6
Feb-87	-44.6
Apr-87	-45.4
May-87	-48.4
Jun-87	-41
Jul-87	-63.6
Aug-87	-50.4
Sep-87	-61.5
Oct-87	-62.7
Nov-87	-63.2
Dec-87	-47.7
Jan-88	-47.2
Feb-88	-49.7
Mar-88	-49
Apr-88	-56.5
May-88	-62.5
Jun-88	-62.5
Jul-88	-77
Aug-88	-77.5
Sep-88	-78.8
Oct-88	-73.1

WATER CONSERVATION – SUMMARY – GROUND WATER

GROUND WATER FLUCTUATION:

Location : Coastal Plain, City of Long Beach

Ground Surface Elevation: 26.6 ft above MSL

STATION	460K
	WS Elev.
Nov-88	-73.1
Dec-88	-66.2
Jan-89	-55.1
Feb-89	-63.2
Mar-89	-71.9
Apr-89	-71
May-89	-77
Jun-89	-76.2
Jul-89	-78.7
Aug-89	-76
Sep-89	-87.8
Oct-89	-73.4
Nov-89	-54.2
Dec-89	-56.7
Jan-90	-49.2
Feb-90	-44.9
Mar-90	-45.1
Apr-90	-36
May-90	-55.9
Jun-90	-89.9
Jul-90	-97.2
Aug-90	-98.7
Sep-90	-99.5
Oct-90	-91.5
Nov-90	-48.3
Dec-90	-34.8
Jan-91	-33.3
Feb-91	-42.4
Mar-91	-46.1
Apr-91	-26
May-91	-78.3
Jun-91	-90.2
Jul-91	-80.4
Aug-91	-77.5
Sep-91	-63.4
Oct-91	-62.7
Nov-91	-63.4
Dec-91	-60.9

WATER CONSERVATION – SUMMARY – GROUND WATER

GROUND WATER FLUCTUATION:**Location : Coastal Plain, City of Long Beach****Ground Surface Elevation: 26.6 ft above MSL**

STATION	460K
	WS Elev.
Jan-92	-55.4
Feb-92	-50.6
Mar-92	-28.2
Apr-92	-46.7
May-92	-62.9
Sep-92	-73.5
Oct-92	-72
Nov-92	-78.8
Dec-92	-76.5
Jan-93	-70.4
Feb-93	-68.5
Mar-93	-65.9
Apr-93	-51.9
May-93	-37.9
Jun-93	-27.6
Jul-93	-21.2
Aug-93	-19.2
Sep-93	-19.9
Oct-93	-17.4
Nov-93	-19.4
Dec-93	-13.9
Jan-94	-10.9
Feb-94	-16.7
Mar-94	-9.4
Apr-94	-5.8
May-94	-22.6
Jun-94	-48.4
Jul-94	-54.7
Aug-94	-55.6
Sep-94	-64.2
Oct-94	-35.9
Nov-94	-27.4
Dec-94	-25.3
Jan-95	-20.9
Feb-95	-35.3
Mar-95	-26.7
Apr-95	-32.2
May-95	-18.8

WATER CONSERVATION – SUMMARY – GROUND WATER

GROUND WATER FLUCTUATION:**Location : Coastal Plain, City of Long Beach****Ground Surface Elevation: 26.6 ft above MSL**

STATION	460K
	WS Elev.
Jun-95	-42.8
Jul-95	-57.2
Aug-95	-50.2
Sep-95	-62.5
Oct-95	-31.6
Nov-95	-19.4
Dec-95	-25.4
Jan-96	-18.6
Feb-96	-10.3
Mar-96	-11.6
Apr-96	-5.8
May-96	-37.4
Jun-96	-51.8
Jul-96	-62.6
Aug-96	-64.8
Sep-96	-78.9
Oct-96	-70.4
Nov-96	-70.4
Dec-96	-70.4
Jan-97	-8.1
Feb-97	-6.4
Mar-97	-7.8
Apr-97	-44.4
May-97	-74.4
Jun-97	-93.2
Jul-97	-98.8
Aug-97	-101.2
Sep-97	-103.4
Oct-97	-57.1
Nov-97	-45.2
Dec-97	-29.1
Jan-98	-20.2
Feb-98	-24.4
Mar-98	-11.8
Apr-98	-8.1
May-98	-58.5
Jun-98	-86.1
Jul-98	-95.6

WATER CONSERVATION – SUMMARY – GROUND WATER

GROUND WATER FLUCTUATION:**Location : Coastal Plain, City of Long Beach****Ground Surface Elevation: 26.6 ft above MSL**

STATION	460K
	WS Elev.
Aug-98	-111.5
Sep-98	-113.3
Oct-98	-61.3
Nov-98	-42.2
Dec-98	-21.8
Jan-99	-22.9
Feb-99	-32.2
Mar-99	-14.5
Apr-99	-15.4
May-99	-70.4
Jun-99	-88.4
Jul-99	-96.4
Sep-99	-107.4
Oct-99	-48.9
Nov-99	-35.9
Jan-00	-29.3
Feb-00	-28
Mar-00	-19.9
Apr-00	-25
May-00	-81.2
Jun-00	-97.9
Jul-00	-102.7
Aug-00	-109
Sep-00	-109.4
Oct-00	-63.6
Nov-00	-45.2
Dec-00	-41.6
01-Jan	-38.4
01-Feb	-31.9
01-Mar	-30.3
01-Apr	-22.8
01-May	-85.2
01-Jun	-98.5
01-Jul	-104.9
01-Aug	-107.9
01-Sep	-110.3
01-Oct	-70.4
01-Nov	-48.4

WATER CONSERVATION – SUMMARY – GROUND WATER

GROUND WATER FLUCTUATION:**Location : Coastal Plain, City of Long Beach****Ground Surface Elevation: 26.6 ft above MSL**

STATION	460K
	WS Elev.
02-Jan	-40.8
02-Feb	-44.1
02-Mar	-27.2
02-Apr	-22
02-May	-90
02-Jun	-120.5
02-Jul	-107.4
02-Aug	-108.2
02-Sep	-109.9
02-Oct	-70.4
02-Nov	-51
02-Dec	-40.8
03-Jan	-38.3
03-Feb	-37.7
03-Mar	-30.9
03-Apr	-45.9
03-May	-88.1
03-Jun	-73.7
03-Jul	-68.2
03-Aug	-57.5
03-Sep	-71.4
03-Oct	-49.7
03-Nov	-50.4
03-Dec	-38.4
04-Jan	-41.4
04-Feb	-31.2
04-Mar	-24.4
04-Apr	-23.1
04-May	-48.6
04-Jun	-67.5
04-Jul	-95.4
04-Aug	-102.2
04-Sep	-105.9
04-Oct	-61.4
04-Nov	-48
04-Dec	-53.4
05-Jan	-33.2
05-Feb	-26.9

WATER CONSERVATION – SUMMARY – GROUND WATER

GROUND WATER FLUCTUATION:

Location : Coastal Plain, City of Long Beach

Ground Surface Elevation: 26.6 ft above MSL

STATION	460K
	WS Elev.
05-Mar	-21.3
05-Apr	-21.4
05-May	-39.4
05-Jun	-38.5
05-Jul	-69.3
05-Aug	-66.9
05-Sep	-74.4

WATER CONSERVATION – SUMMARY – GROUND WATER

GROUND WATER FLUCTUATION:

Location: Coastal Plain

Ground Surface Elevation: 50.0 ft above MSL

STATION	1346D	1366C	760C
	WS Elev.	WS Elev.	WS Elev.
Feb-57	-83.3		
Mar-57	-92.3		
Apr-57	-92.3		
Aug-57	-85.3		
Sep-57	-89.3		
Oct-57	-92.3		
Nov-57	-91.3		
Dec-57	-89.3		
Jan-58	-89.3		
Feb-58	-88.3		
Mar-58	-88.3		
Apr-58	-87.3		
May-58	-86.3		
Jun-58	-87.3		
Jul-58	-87.3		
Aug-58	-88.3		
Sep-58	-88.3		
Oct-58	-88.3		
Nov-58	-89.3		
Dec-58	-89.3		
Jan-59	-89.3		
Feb-59	-89.3		
Mar-59	-77.3		
Apr-59	-75.3		
May-59	-86.3		
Jun-59	-89.3		
Jul-59	-93.3		
Aug-59	-96.3		
Sep-59	-90.3		
Oct-59	-87.3		
Nov-59	-88.3		
Dec-59	-91.3		
Jan-60	-81.3		
Feb-60	-74.3		
Mar-60	-71.3		
Apr-60	-71.3		
May-60	-83.3		
Jun-60	-93.3		

WATER CONSERVATION – SUMMARY – GROUND WATER

GROUND WATER FLUCTUATION:

Location: Coastal Plain

Ground Surface Elevation: 50.0 ft above MSL

STATION	1346D	1366C	760C
	WS Elev.	WS Elev.	WS Elev.
Jul-60	-95.3		
Aug-60	-94.3		
Sep-60	-91.3		
Oct-60	-88.3		
Nov-60	-87.3		
Dec-60	-82.3		
Jan-61	-74.3		
Feb-61	-75.3		
Mar-61	-72.3		
Apr-61	-72.3		
May-61	-81.3		
Jun-61	-61.8		
Jul-61	-62.3		
Aug-61	-82.3		
Sep-61	-86.3		
Oct-61	-87.3		
Nov-61	-88.3		
Dec-61	-88.3		
Jan-62	-73.3		
Feb-62	-73.3		
Mar-62	-69.3		
Apr-62	-69.3		
May-62	-76.1		
Jun-62	-80.3		
Jul-62	-80.9		
Aug-62	-84.7		
Sep-62	-88		
Oct-62	-87.7		
Nov-62	-87.7		
Dec-62	-88.3		
Feb-63	-78.1		
Mar-63	-77.3		
Apr-63	-77.2		
May-63	-78.7		
Jun-63	-83.1		
Jul-63	-81.6		
Aug-63	-82		
Sep-63	-80.6		

WATER CONSERVATION – SUMMARY – GROUND WATER

GROUND WATER FLUCTUATION:

Location: Coastal Plain

Ground Surface Elevation: 50.0 ft above MSL

STATION	1346D	1366C	760C
	WS Elev.	WS Elev.	WS Elev.
Oct-63	-80.7		
Nov-63	-80.3		
Dec-63	-81.3		
Jan-64	-78.8		-54
Feb-64	-77.5		-58
Mar-64	-78.4		-55
Apr-64	-80.4		-54
May-64	-84.8		-64
Jun-64	-89.4		-64
Jul-64	-93.1		-59
Aug-64	-90		-61
Sep-64	-88.5		-59
Oct-64	-87.6		-64
Nov-64	-91.2		-60.7
Dec-64	-77.6		-54
Jan-65	-80.2		-66
Feb-65	-73.3		-57.2
Mar-65	-73		-54
Apr-65	-73.2		-52.2
May-65	-76.5		-57
Jun-65	-80		-55
Jul-65	-83.5		-53
Aug-65	-89.8		-62
Sep-65	-91.1		-58
Oct-65	-86.1		-60
Nov-65	-87.1		-57
Dec-65	-77.1		-50.2
Jan-66	-77.7		-50
Feb-66	-79.2		-53
Mar-66	-79.1		-52
Apr-66	-80.9		-51
May-66	-90.1		-50
Jun-66	-91		-55
Jul-66	-94.6		-57
Aug-66	-88.7		-53
Sep-66	-85.3		-53
Oct-66	-88		-57
Nov-66	-80.6		-49

WATER CONSERVATION – SUMMARY – GROUND WATER

GROUND WATER FLUCTUATION:

Location: Coastal Plain

Ground Surface Elevation: 50.0 ft above MSL

STATION	1346D	1366C	760C
	WS Elev.	WS Elev.	WS Elev.
Dec-66	-75.9		-50
Jan-67	-74.2		-48
Feb-67	-72.2		-50
Mar-67	-72.9		-45.7
Apr-67	-70.8		-48
May-67	-73.2		-49
Jun-67	-82		-62
Jul-67	-85.9		-63
Aug-67	-87.9		-51.2
Sep-67	-88.4		-48
Oct-67	-88.3		-47.2
Nov-67	-84.9		-47.2
Dec-67	-81.1		-48.2
Jan-68	-76		-49
Feb-68	-73		-49
Mar-68	-71.2		-46
Apr-68	-73.8		-45.2
May-68	-73.9		-45
Jun-68	-80.6		-45
Jul-68	-83		-44
Aug-68	-83.7		-45
Sep-68	-83.1		-45
Oct-68	-75.9		-41.7
Nov-68	-74		-42.2
Dec-68	-73.2		-43.2
Jan-69	-71.9		-44
Feb-69	-74.9		-44
Mar-69	-68.7		-44
Apr-69	-71.5		-40
May-69	-69.8		-45
Jun-69	-72.4		-49
Jul-69	-76.2		-50
Aug-69	-82.6		-50
Sep-69	-83.7		-52
Oct-69	-87.3		-43
Nov-69	-82		-43
Dec-69	-73.5		-43
Jan-70	-68.3		-42

WATER CONSERVATION – SUMMARY – GROUND WATER

GROUND WATER FLUCTUATION:

Location: Coastal Plain

Ground Surface Elevation: 50.0 ft above MSL

STATION	1346D	1366C	760C
	WS Elev.	WS Elev.	WS Elev.
Feb-70	-71.1		-39
Mar-70	-69		-38.2
Apr-70	-74.8		-39.3
May-70	-74.8		-42
Jun-70	-78.5		-40
Jul-70	-86		-40
Aug-70	-83.1		-41
Sep-70	-83.2		-44
Oct-70	-84.5		-43
Nov-70	-84		-41.2
Dec-70	-81		-41.2
Jan-71	-81.7		-43.2
Feb-71	-82.2		-38.2
Mar-71	-80.8		-42.2
Apr-71	-81.8		-36.2
May-71	-80		-37.2
Jun-71	-78.9		-44.2
Jul-71	-80		
Aug-71	-81.3		
Sep-71	-80.2		
Oct-71	-79.6		-42.2
Nov-71	-78.4		-40.2
Dec-71	-77.6		
Jan-72	-77.2		
Feb-72	-75.6		-41.2
Mar-72	-70.6		-41.2
Apr-72	-73.5		-40.2
May-72	-76.4		-38.2
Jun-72	-73.2		-37.2
Jul-72	-72.3		-38.2
Aug-72	-72.7		-39.2
Sep-72	-76		-39.2
Oct-72	-78.4		
Nov-72	-78		
Dec-72	-74.7		
Jan-73	-76.3		-40.2
Feb-73	-75.4		-38.2
Mar-73	-74.2		-37.2

WATER CONSERVATION – SUMMARY – GROUND WATER

GROUND WATER FLUCTUATION:

Location: Coastal Plain

Ground Surface Elevation: 50.0 ft above MSL

STATION	1346D	1366C	760C
	WS Elev.	WS Elev.	WS Elev.
Apr-73	-70.7		-37.2
May-73	-71		
Jun-73	-68.5		
Jul-73	-69.4		
Aug-73	-70.4		-37.2
Sep-73	-69.9		
Oct-73	-68.9		-37.2
Dec-73	-60.9		
Jan-74	-60		
Feb-74	-58.2		-33.2
Mar-74	-57.7		-38.2
Apr-74	-57.2		-37.2
May-74	-56.9		-37.2
Jun-74	-59.2		-34.2
Jul-74	-61.4		-35.2
Aug-74	-63.9		-35.2
Sep-74	-70		-34.2
Oct-74	-62.1		-33.2
Nov-74	-69		-33.2
Dec-74	-63		-35.2
Jan-75	-63		-36.2
Feb-75	-61		-36.2
Mar-75	-59		-36.2
Apr-75	-58		-38.2
May-75	-52.5		
Jun-75	-53.9		-39.2
Jul-75	-58		-39.2
Aug-75	-62		-36.2
Sep-75	-63		-39.2
Oct-75	-62		-36.2
Nov-75	-57.5		-35.2
Dec-75	-62		-35.2
Jan-76	-62		-35.2
Feb-76	-62		-37.2
Mar-76	-63		-38.2
Apr-76	-62		-42.2
May-76	-59		-37.2
Jun-76	-62		-37.2

WATER CONSERVATION – SUMMARY – GROUND WATER

GROUND WATER FLUCTUATION:

Location: Coastal Plain

Ground Surface Elevation: 50.0 ft above MSL

STATION	1346D	1366C	760C
	WS Elev.	WS Elev.	WS Elev.
Jul-76	-61		-37.2
Aug-76	-63		-37.2
Sep-76	-63		-37.2
Oct-76	-62		-35.2
Nov-76	-53.4		-36.1
Dec-76	-62		-33.2
Jan-77	-60		-32.2
Feb-77	-61		-32.2
Mar-77	-49		-32.2
Apr-77	-60		-32.2
May-77	-55		-34.2
Jun-77	-56		-34.2
Jul-77	-58		-37.2
Aug-77	-62		-37.2
Sep-77	-62		-37.2
Oct-77	-54.1		-35.4
Nov-77	-51.2		
Dec-77	-53.5		
Jan-78	-51.5		
Feb-78	-57.8		
Mar-78	-69.7		
Apr-78	-58.4		-32.2
May-78	-71.6		
Jun-78	-82.1		
Oct-78	-98.7		-33.2
Jan-79	-91.3		
Feb-79	-97.3		
Mar-79	-99.3		
Apr-79	-80.7		
May-79	-99.3		
Jun-79	-79.3		
Jul-79	-76.3		
Aug-79	-81.3		-43
Sep-79	-83.3		-40
Oct-79	-97.3		-36
Nov-79	-104		-36
Dec-79			-37
Jan-80			-34

WATER CONSERVATION – SUMMARY – GROUND WATER

GROUND WATER FLUCTUATION:

Location: Coastal Plain

Ground Surface Elevation: 50.0 ft above MSL

STATION	1346D	1366C	760C
	WS Elev.	WS Elev.	WS Elev.
Feb-80			-34
Mar-80			-34
Apr-80	-78.3		-42.2
May-80	-79.3		-34
Jun-80	-79.3		-34
Jul-80	-79.3		-37
Aug-80	-91.3		-37
Sep-80	-89.3		-37
Oct-80	-93.3		-38
Nov-80	-92.3		-38
Dec-80	-89.3		-38
Jan-81	-77.3		-35
Feb-81	-73.3		-34
Mar-81	-79.3		-34
Apr-81	-79.3		-33.2
May-81	-81.3		-34
Jun-81	-79.3		
Jul-81	-78.3		-28
Aug-81	-77.3		-30
Sep-81	-79.3		-32
Oct-81	-87.3		-31.2
Nov-81	-91.3		-34
Dec-81	-93.3		-34
Jan-82	-97.3		-34
Feb-82	-96.3		-34
Mar-82	-95.3		-35
Apr-82	-97.3		-34.2
May-82	-97.3		-38
Jun-82	-98.3		
Jul-82	-101		-37
Aug-82	-87.3		-37
Sep-82	-83.3		-37
Oct-82	-83.3		-35.2
Nov-82	-90.3		-38
Dec-82	-85.3		-38
Jan-83	-80.3		-37
Feb-83	-87.3		-38
Mar-83	-90.3		-38

WATER CONSERVATION – SUMMARY – GROUND WATER

GROUND WATER FLUCTUATION:

Location: Coastal Plain

Ground Surface Elevation: 50.0 ft above MSL

STATION	1346D	1366C	760C
	WS Elev.	WS Elev.	WS Elev.
Apr-83	-85.3		-37
May-83	-83.3		-36.2
Jun-83	-91.3		-30.2
Jul-83	-89.3		-39.2
Aug-83	-91.3		
Sep-83	-83.3		
Oct-83	-91.3		-37.2
Nov-83	-89.3		-36.2
Dec-83	-79.3		-27.2
Jan-84	-68.3		-30.2
Feb-84	-63.3		-30.2
Mar-84	-73.3		
Apr-84	-79.3		-27.2
May-84	-83.3		-29.2
Jun-84	-83.3		-29.2
Jul-84	-85.3		
Aug-84	-89.3		-32.2
Sep-84	-83.3		-31.2
Oct-84	-85.3		-31.2
Nov-84	-85.3		
Dec-84	-80.3		-30.2
Jan-85	-83.3		-31.2
Feb-85	-63.3		
Mar-85	-67.3		-31.2
Apr-85	-69.3		-31.2
May-85	-69.3		-31.2
Jun-85	-71.3		-27.2
Jul-85	-69.3		-26.2
Aug-85	-67.3		-22.2
Sep-85	-69.3		-24.2
Oct-85	-71.3		-24.2
Nov-85	-75.3		-33
Dec-85	-79.3		-34
Jan-86	-77.3		-24
Feb-86	-75.3		-22.5
Mar-86	-76.3		-23
Apr-86	-77.3		-25
May-86	-77.3		-26

WATER CONSERVATION – SUMMARY – GROUND WATER

GROUND WATER FLUCTUATION:

Location: Coastal Plain

Ground Surface Elevation: 50.0 ft above MSL

STATION	1346D	1366C	760C
	WS Elev.	WS Elev.	WS Elev.
Jun-86	-89.3		-24
Jul-86	-95.3		-31
Aug-86	-90.3		-32
Sep-86	-90.3		-31
Oct-86	-88.3		-29
Nov-86	-87.3		-36
Dec-86	-75.3		-27
Jan-87	-66.3		-25
Apr-87	-65.3		
May-87	-72.3		
Jun-87	-76.3		
Jul-87	-79.3		
Aug-87	-78.3		
Sep-87	-76.3		
Oct-87	-69.3		
Nov-87	-68.3		-25.6
Dec-87	-68.3		-27
Jan-88	-65.8		-25.8
Feb-88	-66.1		-24.3
Mar-88	-59.1		
Apr-88	-57.6		-23.3
May-88	-55.3		-16.6
Jun-88	-52.3		-26.3
Jul-88	-52.3		-25
Aug-88	-51.3		-26.8
Sep-88	-51.3		-28
Oct-88	-52.4		-25
Nov-88	-51.3		-25
Dec-88	-49.3		-24
Jan-89	-52.3		-19
Feb-89			-23
Mar-89	-60.1		-24.8
Apr-89	-63.8		-26.3
May-89	-70.6		-25
Jun-89	-71.3		-24
Jul-89	-69.3		-30
Aug-89	-66.8		-24
Sep-89	-66.8		-24

WATER CONSERVATION – SUMMARY – GROUND WATER

GROUND WATER FLUCTUATION:

Location: Coastal Plain

Ground Surface Elevation: 50.0 ft above MSL

STATION	1346D	1366C	760C
	WS Elev.	WS Elev.	WS Elev.
Oct-89	-60.4		-24
Nov-89	-62.3		-27.2
Dec-89	-62.3		-24
Jan-90	-62.3		-22.2
Feb-90	-62.3		-23.2
Mar-90	-60.3		-23.2
Apr-90	-62.4		-26.2
May-90	-61.3		-23.2
Jun-90	-61.3		-24.2
Jul-90	-61.3		-21.2
Aug-90	-61.3		-24.2
Sep-90	-61.3		-26.2
Oct-90	-61.3		-24.2
Nov-90	-61.3		-23.2
Dec-90	-61.3		-21.2
Jan-91	-66.3		-17.2
Feb-91	-52.3		-17.2
Mar-91	-56.6		-24.2
Apr-91	-58.3		-23.2
May-91	-63.3		-24.2
Jun-91	-67.3		-25.2
Jul-91	-68.6		-28.2
Aug-91	-72.3		-28.2
Sep-91	-79.3	-61.7	-24.2
Oct-91	-80.3	-55.7	-25.2
Nov-91	-80.8		-26.2
Dec-91			-28.2
Jan-92			-25.2
Feb-92	-68.3		-25.2
Mar-92	-80.3		-28.2
Apr-92	-86.8	-54.7	-27.2
May-92			-28.2
Jun-92			-26.2
Jul-92			-28.2
Aug-92			-28.2
Sep-92			-30.2
Oct-92		-41.7	-31.2
Nov-92			-22.2

WATER CONSERVATION – SUMMARY – GROUND WATER

GROUND WATER FLUCTUATION:

Location: Coastal Plain

Ground Surface Elevation: 50.0 ft above MSL

STATION	1346D	1366C	760C
	WS Elev.	WS Elev.	WS Elev.
Dec-92			-25.2
Jan-93			-23.2
Feb-93			-22.2
Mar-93			-25.2
Apr-93		-55.7	-25.2
May-93			-26.2
Jun-93		-96.2	-27.2
Jul-93			-30.2
Aug-93		-47.7	-25.2
Sep-93		-73.7	-23.2
Oct-93		-42	-25.2
Nov-93		-53.2	-16.2
Dec-93		-46	-17.2
Jan-94		-33.2	-14.2
Feb-94		-34.7	-17.2
Mar-94		-36.7	-16.2
Apr-94		-51.7	-18.2
May-94		-43.7	-21
Jun-94			-23.2
Jul-94		-57.7	-26.2
Aug-94		-58.7	-25.2
Sep-94		-27.7	-18.2
Oct-94		-44.7	-18.2
Nov-94			-18.2
Dec-94			-17.2
Jan-95			-17.2
Apr-95			-18.2
May-95			-19.2
Jun-95			-24.2
Jul-95			-23.2
Aug-95			-23.2
Oct-95			-16.7
Apr-96			-24.2
Apr-97			-22.2
Oct-97			-18.2
Mar-98			-20.2
Jul-98			-22.2
Oct-98			-24.2

WATER CONSERVATION – SUMMARY – GROUND WATER

GROUND WATER FLUCTUATION:

Location: Coastal Plain

Ground Surface Elevation: 50.0 ft above MSL

STATION	1346D	1366C	760C
	WS Elev.	WS Elev.	WS Elev.
Nov-98			-23.2
Jan-99			-21.2
Apr-99			-24.2
May-99			-23.2
Aug-99			-27.2
Nov-99			-25.2
May-00			-28.2
Nov-00			-32
01-Mar			-34.2
01-Oct			-128.2
02-Apr			-68.2
02-Oct			-85.2
03-Apr			-63.2
03-Nov			-72.2
04-Mar			-76.2
04-Sep			-92.2
05-May	-16.2		

WATER CONSERVATION – SUMMARY – GROUND WATER
--

GROUND WATER FLUCTUATION:

Location: Coastal Plain, City of Long Beach

Ground Surface Elevation: 88.8 ft above MSL

STATION	906D
	WS Elev.
Jan-51	-42.1
Feb-51	-40.4
Mar-51	-41.7
Apr-51	-46.7
May-51	-48.5
Jun-51	-52
Jul-51	-59
Aug-51	-66.2
Sep-51	-70.4
Oct-51	-70.4
Nov-51	-69.6
Dec-51	-65.5
Jan-52	-59.2
Feb-52	-56.2
Mar-52	-54.1
Apr-52	-52.1
May-52	-49.2
Jun-52	-49.5
Jul-52	-53.5
Aug-52	-63.2
Sep-52	-68
Oct-52	-70.6
Nov-52	-70.1
Dec-52	-63.5
Jan-53	-51.2
Feb-53	-45.4
Mar-53	-47.6
Apr-53	-52.6
May-53	-50.6
Jun-53	-65.3
Jul-53	-73.1
Aug-53	-79.4
Sep-53	-81.8
Oct-53	-81.3
Nov-53	-76.5
Dec-53	-72.9
Jan-54	-67.7

WATER CONSERVATION – SUMMARY – GROUND WATER
--

GROUND WATER FLUCTUATION:

Location: Coastal Plain, City of Long Beach

Ground Surface Elevation: 88.8 ft above MSL

STATION	906D
	WS Elev.
Feb-54	-63
Mar-54	-56.9
Apr-54	-53.8
May-54	-53.3
Jun-54	-58.9
Jul-54	-65.4
Aug-54	-76.1
Sep-54	-82.6
Oct-54	-83.8
Nov-54	-80.5
Dec-54	-73.3
Jan-55	-66.1
Feb-55	-62.2
Mar-55	-60.7
Apr-55	-59.4
May-55	-61.5
Jun-55	-64.2
Jul-55	-69.2
Aug-55	-75.8
Sep-55	-82
Oct-55	-85.6
Nov-55	-83.8
Dec-55	-79.9
Jan-56	-69
Feb-56	-66.7
Mar-56	-66.7
Apr-56	-72.5
May-56	-74.3
Jun-56	-100
Jul-56	-87.6
Aug-56	-92.1
Sep-56	-98.8
Oct-56	-101.5
Nov-56	-102.5
Dec-56	-103
Jan-57	-99.9
Feb-57	-89.7

WATER CONSERVATION – SUMMARY – GROUND WATER
--

GROUND WATER FLUCTUATION:

Location: Coastal Plain, City of Long Beach

Ground Surface Elevation: 88.8 ft above MSL

STATION	906D
	WS Elev.
Mar-57	-80.8
Apr-57	-75
May-57	-83.5
Jun-57	-84.7
Jul-57	-96.7
Aug-57	-103
Sep-57	-106.7
Oct-57	-107.6
Nov-57	-101.2
Dec-57	-97
Jan-58	-90.2
Feb-58	-87.7
Mar-58	-82.9
Apr-58	-77.5
May-58	-81.5
Jun-58	-87.6
Jul-58	-94.8
Aug-58	-98.3
Sep-58	-98.7
Oct-58	-100
Nov-58	-98.2
Dec-58	-93.1
Jan-59	-89
Feb-59	-83.3
Mar-59	-85.4
Apr-59	-86.1
May-59	-86.6
Jun-59	-89.2
Jul-59	-92.7
Aug-59	-97.4
Sep-59	-101
Oct-59	-104.4
Nov-59	-104.5
Dec-59	-104.8
Jan-60	-101.4
Feb-60	-96.8
Mar-60	-96.6

WATER CONSERVATION – SUMMARY – GROUND WATER
--

GROUND WATER FLUCTUATION:

Location: Coastal Plain, City of Long Beach

Ground Surface Elevation: 88.8 ft above MSL

STATION	906D
	WS Elev.
Apr-60	-95.2
May-60	-90.8
Jun-60	-87.6
Jul-60	-91.8
Aug-60	-104.2
Sep-60	-92.5
Oct-60	-106.9
Nov-60	-108
Dec-60	-99.4
Jan-61	-94.2
Feb-61	-90.8
Mar-61	-92.8
Apr-61	-94.9
May-61	-90.8
Jun-61	-111.3
Jul-61	-119.2
Aug-61	-125.6
Sep-61	-128.7
Oct-61	-124.9
Nov-61	-118.6
Dec-61	-109.5
Jan-62	-100.6
Feb-62	-94.3
Mar-62	-88.7
Apr-62	-87.6
May-62	-97.3
Jun-62	-103.5
Jul-62	-107.3
Aug-62	-116.6
Sep-62	-121.4
Oct-62	-117.4
Nov-62	-97.6
Dec-62	-83.7
Jan-63	-74.6
Feb-63	-68.6
Mar-63	-65.3
Apr-63	-62.9

WATER CONSERVATION – SUMMARY – GROUND WATER
--

GROUND WATER FLUCTUATION:

Location: Coastal Plain, City of Long Beach

Ground Surface Elevation: 88.8 ft above MSL

STATION	906D
	WS Elev.
May-63	-58
Jun-63	-60.6
Jul-63	-61.3
Aug-63	-79.2
Sep-63	-82.8
Oct-63	-74.4
Nov-63	-63.5
Dec-63	-57.3
Jan-64	-53.2
Feb-64	-51.3
Mar-64	-47.1
Apr-64	-45.6
May-64	-45.8
Jun-64	-45.9
Jul-64	-54.1
Aug-64	-63.4
Sep-64	-78.1
Oct-64	-68.9
Nov-64	-56.9
Dec-64	-56.9
Jan-65	-52.2
Feb-65	-50.7
Mar-65	-49.7
Apr-65	-49.4
May-65	-48.3
Jun-65	-50.7
Jul-65	-54.9
Aug-65	-56.7
Sep-65	-62.5
Oct-65	-60.1
Nov-65	-61.2
Dec-65	-59.2
Jan-66	-53.3
Feb-66	-49.9
Mar-66	-42.6
Apr-66	-43.2
May-66	-46.8

WATER CONSERVATION – SUMMARY – GROUND WATER

GROUND WATER FLUCTUATION:

Location: Coastal Plain, City of Long Beach

Ground Surface Elevation: 88.8 ft above MSL

STATION	906D
	WS Elev.
Jun-66	-52.3
Jul-66	-59.2
Aug-66	-69.1
Sep-66	-69.4
Oct-66	-69.4
Nov-66	-60.2
Dec-66	-53.6
Jan-67	-49.3
Feb-67	-44.8
Mar-67	-42.3
Apr-67	-40.7
May-67	-38.4
Jun-67	-38.8
Jul-67	-40.6
Aug-67	-46.7
Sep-67	-56
Oct-67	-52
Nov-67	-50.7
Dec-67	-45.8
Jan-68	-34.3
Feb-68	-37
Mar-68	-40.8
Apr-68	-38.7
May-68	-42.3
Jun-68	-49.4
Jul-68	-53.1
Aug-68	-65.5
Sep-68	-71
Oct-68	-63.6
Nov-68	-60.1
Dec-68	-54.7
Jan-69	-49.6
Feb-69	-47.2
Mar-69	-43.8
Apr-69	-34.9
May-69	-42.3
Jun-69	-48.9

WATER CONSERVATION – SUMMARY – GROUND WATER
--

GROUND WATER FLUCTUATION:

Location: Coastal Plain, City of Long Beach

Ground Surface Elevation: 88.8 ft above MSL

STATION	906D
	WS Elev.
Jul-69	-56.4
Aug-69	-66.1
Sep-69	-75.7
Oct-69	-74
Nov-69	-68.9
Dec-69	-65.1
Jan-70	-55.8
Feb-70	-39
Mar-70	-29.1
Apr-70	-26.9
May-70	-30.8
Jun-70	-33.1
Jul-70	-32
Aug-70	-34
Sep-70	-52.7
Oct-70	-57.6
Nov-70	-50.5
Dec-70	-41.9
Jan-71	-33.5
Feb-71	-31.6
Mar-71	-32.8
Apr-71	-36.1
May-71	-36.8
Jun-71	-39.6
Jul-71	-46.8
Aug-71	-55.6
Sep-71	-63.8
Oct-71	-62.7
Nov-71	-60.8
Dec-71	-53.3
Jan-72	-48.9
Feb-72	-36
Mar-72	-30.5
Apr-72	-31.8
May-72	-32.3
Jun-72	-40.4
Jul-72	-47.8

WATER CONSERVATION – SUMMARY – GROUND WATER
--

GROUND WATER FLUCTUATION:

Location: Coastal Plain, City of Long Beach

Ground Surface Elevation: 88.8 ft above MSL

STATION	906D
	WS Elev.
Aug-72	-59.9
Sep-72	-68.2
Oct-72	-66.9
Nov-72	-59.2
Dec-72	-47.7
Jan-73	-41.9
Feb-73	-36.4
Mar-73	-30.5
Apr-73	-28.3
May-73	-32.7
Jun-73	-44.6
Jul-73	-55.5
Aug-73	-59.5
Sep-73	-63.7
Oct-73	-62.7
Nov-73	-60.6
Dec-73	-54.7
Jan-74	-49
Feb-74	-44.4
Mar-74	-43
Apr-74	-40.7
May-74	-43.6
Jun-74	-47.3
Jul-74	-50.2
Aug-74	-55
Sep-74	-57.5
Oct-74	-59.7
Nov-74	-59.3
Dec-74	-55.1
Jan-75	-48.1
Feb-75	-46
Mar-75	-41.9
Apr-75	-39.7
May-75	-36.4
Jun-75	-38.4
Jul-75	-44.4
Aug-75	-57.9

WATER CONSERVATION – SUMMARY – GROUND WATER
--

GROUND WATER FLUCTUATION:

Location: Coastal Plain, City of Long Beach

Ground Surface Elevation: 88.8 ft above MSL

STATION	906D
	WS Elev.
Sep-75	-63.5
Oct-75	-66.6
Nov-75	-67.4
Dec-75	-65
Jan-76	-62.9
Feb-76	-64.2
Mar-76	-61.5
Apr-76	-60.7
May-76	-61.3
Jun-76	-65.1
Jul-76	-75.7
Aug-76	-77.5
Sep-76	-81.6
Oct-76	-80.4
Nov-76	-83.2
Dec-76	-82.8
Jan-77	-80.4
Feb-77	-74.5
Mar-77	-71.4
Apr-77	-72.7
May-77	-77.8
Jun-77	-71.3
Jul-77	-79.6
Aug-77	-90.3
Sep-77	-89.9
Oct-77	-90.7
Nov-77	-88.6
Dec-77	-79.4
Jan-78	-81.1
Feb-78	-71.5
Mar-78	-64.2
Apr-78	-57
May-78	-57.3
Jun-78	-63
Jul-78	-70.4
Aug-78	-81.7
Sep-78	-88.8

WATER CONSERVATION – SUMMARY – GROUND WATER
--

GROUND WATER FLUCTUATION:

Location: Coastal Plain, City of Long Beach

Ground Surface Elevation: 88.8 ft above MSL

STATION	906D
	WS Elev.
Oct-78	-91.7
Nov-78	-83.4
Dec-78	-77.3
Jan-79	-68.1
Feb-79	-59.2
Mar-79	-53.2
Apr-79	-48.5
May-79	-51.3
Jun-79	-57.3
Jul-79	-71.2
Aug-79	-81.8
Sep-79	-89.4
Oct-79	-88.3
Nov-79	-86.8
Dec-79	-88.3
Jan-80	-77.1
Feb-80	-66.9
Mar-80	-60.4
Apr-80	-58.1
May-80	-56.1
Jun-80	-59.4
Jul-80	-71.9
Aug-80	-81.1
Sep-80	-87.8
Oct-80	-89.4
Nov-80	-90.2
Dec-80	-89.8
Jan-81	-79.5
Feb-81	-58.6
Mar-81	-51.1
Apr-81	-51.3
May-81	-50.1
Jun-81	-54.4
Jul-81	-61.5
Aug-81	-67.4
Sep-81	-80.6
Oct-81	-77.6

WATER CONSERVATION – SUMMARY – GROUND WATER
--

GROUND WATER FLUCTUATION:

Location: Coastal Plain, City of Long Beach

Ground Surface Elevation: 88.8 ft above MSL

STATION	906D
	WS Elev.
Nov-81	-73.4
Dec-81	-64.9
Jan-82	-63.2
Feb-82	-45.5
Mar-82	-45.5
Apr-82	-45.6
May-82	-47.2
Jun-82	-48
Jul-82	-59.3
Aug-82	-73.6
Sep-82	-76.3
Oct-82	-75.3
Dec-82	-60.8
Jan-83	-52.7
Feb-83	-51.2
Mar-83	-43.8
Apr-83	-45.9
May-83	-44.9
Jun-83	-53.9
Jul-83	-53.9
Aug-83	-59.3
Sep-83	-48.3
Oct-83	-48.5
Nov-83	-35.8
Dec-83	-25.7
Jan-84	-9.8
Feb-84	-16.2
Mar-84	-10.9
Apr-84	-22.8
May-84	-28.3
Jun-84	-39.5
Jul-84	-48.2
Aug-84	-50.8
Sep-84	-55
Oct-84	-54.5
Nov-84	-50.9
Dec-84	-42.6

WATER CONSERVATION – SUMMARY – GROUND WATER
--

GROUND WATER FLUCTUATION:

Location: Coastal Plain, City of Long Beach

Ground Surface Elevation: 88.8 ft above MSL

STATION	906D
	WS Elev.
Jan-85	-32.8
May-85	-34.2
Jun-85	-39.6
Jul-85	-45.5
Aug-85	-48.8
Sep-85	-47.7
Oct-85	-47.2
Nov-85	-46.3
Dec-85	-43.2
Jan-86	-30.4
Mar-86	-27.7
Apr-86	-35.7
May-86	-37.6
Jun-86	-40.2
Jul-86	-46
Aug-86	-50.5
Sep-86	-54.8
Oct-86	-51.2
Nov-86	-49.2
Dec-86	-48.5
Jan-87	-45.5
Feb-87	-40.1
Mar-87	-34.8
Apr-87	-39.2
May-87	-41.1
Jun-87	-41.7
Jul-87	-43.5
Aug-87	-49.3
Sep-87	-52
Oct-87	-54.6
Nov-87	-52.6
Dec-87	-49.8
Jan-88	-41.6
Feb-88	-37.8
Mar-88	-38
Apr-88	-41.7
May-88	-45.4

WATER CONSERVATION – SUMMARY – GROUND WATER
--

GROUND WATER FLUCTUATION:

Location: Coastal Plain, City of Long Beach

Ground Surface Elevation: 88.8 ft above MSL

STATION	906D
	WS Elev.
Jun-88	-45.4
Jul-88	-53.6
Aug-88	-63.1
Sep-88	-63.8
Oct-88	-64
Nov-88	-64
Dec-88	-73.4
Jan-89	-57.4
Feb-89	-56.6
Mar-89	-59
Apr-89	-58.9
May-89	-61
Jun-89	-61
Jul-89	-71
Aug-89	-65
Sep-89	-67.5
Oct-89	-65
Nov-89	-52.9
Dec-89	-49
Jan-90	-47.1
Feb-90	-45.8
Mar-90	-47.4
Apr-90	-36.1
May-90	-35.9
Jun-90	-57.1
Jul-90	-65.7
Aug-90	-75.5
Sep-90	-71.3
Oct-90	-70.8
Nov-90	-55.9
Dec-90	-39.2
Jan-91	-29.2
Feb-91	-32.2
Mar-91	-32.1
Apr-91	-58.2
May-91	-30
Jun-91	-61.1

WATER CONSERVATION – SUMMARY – GROUND WATER
--

GROUND WATER FLUCTUATION:

Location: Coastal Plain, City of Long Beach

Ground Surface Elevation: 88.8 ft above MSL

STATION	906D
	WS Elev.
Jul-91	-65.3
Aug-91	-61.5
Oct-91	-61.5
Nov-91	-54.5
Dec-91	-49.6
Jan-92	-41.1
Feb-92	-43
Mar-92	-36.4
Apr-92	-34.8
May-92	-38.6
Jun-92	-48.4
Jul-92	-57.3
Aug-92	-60.8
Sep-92	-54
Oct-92	-51.5
Nov-92	-56.8
Dec-92	-59.2
Jan-93	-58.3
Feb-93	-58.2
Mar-93	-56.6
Apr-93	-30.4
May-93	-47
Jun-93	-34.6
Jul-93	-25.3
Aug-93	-17.7
Sep-93	-16.7
Oct-93	-14.8
Nov-93	-13.2
Dec-93	-8.7
Jan-94	-5.4
Feb-94	-8.5
Mar-94	-2
Apr-94	-0.5
Jun-94	-22.8
Jul-94	-37.7
Aug-94	-42.4
Sep-94	-48.1

WATER CONSERVATION – SUMMARY – GROUND WATER
--

GROUND WATER FLUCTUATION:

Location: Coastal Plain, City of Long Beach

Ground Surface Elevation: 88.8 ft above MSL

STATION	906D
	WS Elev.
Oct-94	-41.3
Nov-94	-26.5
Dec-94	-15.6
Jan-95	-13.2
Feb-95	-19.3
Mar-95	-21.2
Apr-95	-23.1
May-95	-27.3
Jun-95	-23.4
Jul-95	-30.2
Aug-95	-33
Sep-95	-35.9
Oct-95	-31.4
Nov-95	-19.5
Dec-95	-12.7
Jan-96	-8.9
Feb-96	-6.1
Mar-96	-0.7
Apr-96	8.2
May-96	-7.1
Jun-96	-19.7
Jul-96	-30.8
Aug-96	-41
Sep-96	-49
Oct-96	-38
Nov-96	-22.2
Dec-96	-48.2
Jan-97	-5.4
Feb-97	-1.4
Mar-97	3.2
Apr-97	-2.1
May-97	-33.2
Jun-97	-52
Jul-97	-66.2
Aug-97	-73.7
Sep-97	-80.7
Oct-97	-65.4

WATER CONSERVATION – SUMMARY – GROUND WATER
--

GROUND WATER FLUCTUATION:

Location: Coastal Plain, City of Long Beach

Ground Surface Elevation: 88.8 ft above MSL

STATION	906D
	WS Elev.
Nov-97	-53.5
Dec-97	-36.5
Jan-98	-28
Feb-98	-19.2
Mar-98	-11.4
Apr-98	-6.5
May-98	-15.2
Jun-98	-45.8
Jul-98	-56.5
Aug-98	-71
Sep-98	-74.6
Oct-98	-67.4
Nov-98	-50.7
Dec-98	-30.2
Feb-99	-17.2
Mar-99	-11.2
Apr-99	-7
May-99	-20.7
Jun-99	-43.2
Jul-99	-63.7
Sep-99	-80.8
Oct-99	-58.2
Nov-99	-43.5
Dec-99	-38.7
Jan-00	-30.3
Feb-00	-5.4
Mar-00	-16
Apr-00	-11.2
May-00	-29.4
Jun-00	-57
Jul-00	-67.2
Aug-00	-78.3
Sep-00	-86
Oct-00	-67.7
Nov-00	-54.7
Dec-00	-44.7
01-Jan	-36.1

WATER CONSERVATION – SUMMARY – GROUND WATER

GROUND WATER FLUCTUATION:

Location: Coastal Plain, City of Long Beach

Ground Surface Elevation: 88.8 ft above MSL

STATION	906D
	WS Elev.
01-Feb	-34.8
01-Mar	-29.2
01-Apr	-22.5
01-May	-42.2
01-Jun	-66.3
01-Jul	-71.8
01-Aug	-78.9
01-Sep	-84.8
01-Oct	-74
01-Nov	-52.2
02-Jan	-34.4
02-Feb	-33
02-Mar	-26.9
02-Apr	-21.1
02-May	-37.9
02-Jun	-40.7
02-Jul	-70.6
02-Aug	-73.2
02-Sep	-80
02-Oct	-73.5
02-Nov	-58.3
02-Dec	-48.4
03-Jan	-37.5
03-Feb	-35.4
03-Mar	-29.6
03-Apr	-26.8
03-May	-41.2
03-Jun	-50
03-Jul	-54
03-Aug	-53.2
03-Sep	-53.1
03-Oct	-41.4
03-Nov	-39.2
03-Dec	-39.4
04-Jan	-37.3
04-Feb	-32
04-Mar	-25.5

WATER CONSERVATION – SUMMARY – GROUND WATER

GROUND WATER FLUCTUATION:

Location: Coastal Plain, City of Long Beach

Ground Surface Elevation: 88.8 ft above MSL

STATION	906D
	WS Elev.
04-Apr	-19.5
04-May	-23.1
04-Jun	-29.2
04-Jul	-49
04-Aug	-59
04-Sep	-68.2
04-Oct	-65.5
04-Nov	-49.5
05-Jan	-36
05-Feb	-26.4
05-Mar	-50.7
05-May	-64.2
05-May	-15.7
05-Jun	-18.7
05-Jul	-28.4
05-Aug	-41.2
05-Sep	-41.3

WATER CONSERVATION – SUMMARY – GROUND WATER

GROUND WATER FLUCTUATION:

Location: Central Basin

Ground Surface Elevation: 159.7 ft above MSL

STATION	1601T
	WS Elev.
Jul-64	91.8
Aug-64	89
Sep-64	80
Oct-64	75
Nov-64	75.5
Dec-64	84.3
Jan-65	109.2
Feb-65	102.8
Mar-65	105.4
Apr-65	110
May-65	109.6
Jun-65	115.2
Jul-65	114.3
Aug-65	110.4
Sep-65	102
Oct-65	98.5
Nov-65	101.6
Dec-65	104.4
Jan-66	109.2
Feb-66	114.3
Mar-66	116.9
Apr-66	118.1
May-66	120.8
Jun-66	120.8
Jul-66	118.7
Aug-66	112.2
Sep-66	109
Oct-66	112
Nov-66	115.8
Dec-66	115.7
Jan-67	120.9
Feb-67	120.4
Mar-67	120.4
Apr-67	120.4
May-67	123.9
Jun-67	124.3
Jul-67	119.1
Aug-67	112.4

WATER CONSERVATION – SUMMARY – GROUND WATER

GROUND WATER FLUCTUATION:

Location: Central Basin

Ground Surface Elevation: 159.7 ft above MSL

STATION	1601T
	WS Elev.
Sep-67	106.2
Oct-67	109.8
Nov-67	113.1
Dec-67	114.9
Jan-68	115.9
Feb-68	116.3
Mar-68	114.4
Apr-68	115.3
May-68	114.7
Jun-68	113.5
Jul-68	111.6
Aug-68	108.7
Sep-68	105.9
Oct-68	109.4
Nov-68	113
Dec-68	112
Jan-69	107.2
Feb-69	111
Mar-69	116
Apr-69	120.9
May-69	121.7
Jun-69	120.6
Jul-69	119.7
Aug-69	116.7
Sep-69	112.6
Oct-69	107.9
Nov-69	104.7
Dec-69	109.6
Jan-70	113.8
Feb-70	115.3
Mar-70	119.5
Apr-70	121.7
May-70	117.8
Jun-70	113.8
Jul-70	111.1
Aug-70	106.8
Sep-70	103.9
Oct-70	101.3

WATER CONSERVATION – SUMMARY – GROUND WATER
--

GROUND WATER FLUCTUATION:

Location: Central Basin

Ground Surface Elevation: 159.7 ft above MSL

STATION	1601T
	WS Elev.
Nov-70	106.9
Dec-70	112.5
Jan-71	117
Feb-71	115.9
Mar-71	117.3
Apr-71	117
May-71	113.3
Jun-71	110.7
Jul-71	107.4
Aug-71	106.2
Sep-71	102.6
Oct-71	100.6
Nov-71	100.8
Dec-71	103
Jan-72	107
Feb-72	109.5
Mar-72	105.8
Apr-72	98.7
May-72	94.6
Jun-72	90.1
Jul-72	86.2
Aug-72	80.3
Sep-72	76.3
Oct-72	73.2
Nov-72	71.1
Dec-72	75.8
Jan-73	83
Feb-73	88.7
Mar-73	97.9
Apr-73	103.1
May-73	101.9
Jun-73	104.1
Jul-73	105.5
Aug-73	106.4
Sep-73	107.1
Oct-73	103.7
Nov-73	104.4
Dec-73	106

WATER CONSERVATION – SUMMARY – GROUND WATER
--

GROUND WATER FLUCTUATION:

Location: Central Basin

Ground Surface Elevation: 159.7 ft above MSL

STATION	1601T
	WS Elev.
Jan-74	109.3
Feb-74	105.7
Mar-74	108.7
Apr-74	111.7
May-74	112.8
Jun-74	111.8
Jul-74	108.2
Aug-74	105.1
Sep-74	102.6
Oct-74	101.4
Nov-74	99.7
Dec-74	100
Jan-75	101.7
Feb-75	101.7
Mar-75	103.4
Apr-75	105.7
May-75	103.7
Jun-75	104.1
Jul-75	104.8
Aug-75	100.9
Sep-75	96.7
Oct-75	93.4
Nov-75	91.4
Dec-75	90.1
Jan-76	89.3
Feb-76	89.7
Mar-76	95.3
Apr-76	93
May-76	93.6
Jun-76	84.3
Jul-76	88.3
Aug-76	85.5
Sep-76	77.9
Oct-76	77.7
Nov-76	74.1
Dec-76	69.8
Jan-77	69.2
Feb-77	79.8

WATER CONSERVATION – SUMMARY – GROUND WATER

GROUND WATER FLUCTUATION:

Location: Central Basin

Ground Surface Elevation: 159.7 ft above MSL

STATION	1601T
	WS Elev.
Mar-77	89
Apr-77	87.6
May-77	81.7
Jun-77	80.2
Jul-77	74.9
Aug-77	70.2
Sep-77	67.1
Oct-77	64.5
Nov-77	61.7
Dec-77	59
Jan-78	65.2
Feb-78	81.7
Mar-78	91.8
Apr-78	96.8
May-78	101.5
Jun-78	103.4
Jul-78	101.2
Aug-78	101.4
Sep-78	101.1
Oct-78	102.8
Nov-78	104.6
Dec-78	107.8
Jan-79	111.4
Feb-79	114.4
Mar-79	115.3
Apr-79	116.4
May-79	113.5
Jun-79	114.5
Jul-79	111.4
Aug-79	112
Sep-79	113.1
Oct-79	113.7
Nov-79	112.7
Dec-79	114.1
Jan-80	113.4
Feb-80	117.4
Mar-80	119.9
Apr-80	123

WATER CONSERVATION – SUMMARY – GROUND WATER

GROUND WATER FLUCTUATION:

Location: Central Basin

Ground Surface Elevation: 159.7 ft above MSL

STATION	1601T
	WS Elev.
May-80	122.5
Jun-80	121.3
Jul-80	119
Aug-80	113.6
Sep-80	108.8
Oct-80	107
Nov-80	109
Dec-80	112
Jan-81	114.2
Feb-81	115.1
Mar-81	115.9
Apr-81	116.4
May-81	115.5
Jun-81	114.2
Jul-81	111.6
Aug-81	110.5
Sep-81	110.8
Oct-81	110.6
Nov-81	109
Dec-81	108.6
Jan-82	111.2
Feb-82	114.5
Mar-82	115.1
Apr-82	117.3
May-82	115
Jun-82	110.4
Jul-82	107.9
Aug-82	104.7
Sep-82	100.3
Oct-82	103.1
Nov-82	108.3
Dec-82	113.6
Jan-83	115.3
Feb-83	117
Mar-83	120.4
Apr-83	123.5
May-83	124.5
Jun-83	122.9

WATER CONSERVATION – SUMMARY – GROUND WATER

GROUND WATER FLUCTUATION:

Location: Central Basin

Ground Surface Elevation: 159.7 ft above MSL

STATION	1601T
	WS Elev.
Jul-83	122.4
Aug-83	122.5
Sep-83	117.6
Oct-83	116.1
Nov-83	121.1
Dec-83	122.7
Jan-84	123.7
Feb-84	120.5
Mar-84	116
Apr-84	117.6
May-84	120.9
Jun-84	121.6
Jul-84	120.2
Aug-84	114.2
Sep-84	109.4
Oct-84	104.5
Nov-84	99.8
Jan-85	113.4
Feb-85	113.4
May-85	119.3
Jun-85	119.2
Jul-85	117.8
Aug-85	110.2
Sep-85	104.6
Oct-85	99.5
Nov-85	95.9
Dec-85	97.6
Jan-86	98.1
Feb-86	101.7
Mar-86	111.2
Apr-86	115.9
May-86	117.8
Jun-86	119.2
Jul-86	113.7
Aug-86	105.8
Sep-86	102
Oct-86	100.8
Nov-86	98.6

WATER CONSERVATION – SUMMARY – GROUND WATER

GROUND WATER FLUCTUATION:

Location: Central Basin

Ground Surface Elevation: 159.7 ft above MSL

STATION	1601T
	WS Elev.
Dec-86	99.5
Jan-87	105.3
Feb-87	108.6
Mar-87	111
Apr-87	111.5
May-87	110.8
Jun-87	108.1
Jul-87	101.1
Aug-87	98.2
Sep-87	96.5
Oct-87	98.2
Nov-87	99.5
Dec-87	102.5
Jan-88	101.8
Feb-88	98.9
Mar-88	97.7
Apr-88	97.8
May-88	101.6
Jun-88	105.7
Jul-88	106.7
Aug-88	101.7
Sep-88	94.1
Oct-88	91.1
Nov-88	89
Dec-88	89.6
Jan-89	98.3
Feb-89	103.3
Mar-89	106.4
Apr-89	108.4
May-89	109.5
Jun-89	107.8
Jul-89	106.8
Aug-89	103.7
Sep-89	99.4
Oct-89	95.2
Nov-89	93.1
Dec-89	96.4
Jan-90	96.4

WATER CONSERVATION – SUMMARY – GROUND WATER

GROUND WATER FLUCTUATION:

Location: Central Basin

Ground Surface Elevation: 159.7 ft above MSL

STATION	1601T
	WS Elev.
Feb-90	100.2
Mar-90	106.6
Apr-90	110.4
May-90	113.9
Jun-90	113
Jul-90	112.7
Aug-90	107.7
Sep-90	103.8
Oct-90	104.5
Nov-90	105.2
Dec-90	104
Jan-91	102
Feb-91	107.2
Mar-91	106.1
Apr-91	120.8
May-91	113.8
Jun-91	110.5
Jul-91	107.1
Aug-91	107.2
Sep-91	109.1
Oct-91	111.4
Nov-91	115
Dec-91	115.6
Jan-92	116
Feb-92	115.7
Mar-92	119.7
Apr-92	121.1
May-92	118.7
Jun-92	115.7
Jul-92	116.8
Aug-92	118.6
Sep-92	114.8
Oct-92	111.7
Nov-92	115.7
Dec-92	116
Jan-93	121.1
Feb-93	125.3
Mar-93	125.3

WATER CONSERVATION – SUMMARY – GROUND WATER

GROUND WATER FLUCTUATION:

Location: Central Basin

Ground Surface Elevation: 159.7 ft above MSL

STATION	1601T
	WS Elev.
Apr-93	129.2
May-93	127.3
Jun-93	123.5
Jul-93	123.7
Aug-93	123
Sep-93	123
Oct-93	120.4
Nov-93	120.7
Dec-93	121.6
Jan-94	124.5
Feb-94	124.3
Mar-94	126.6
Apr-94	127
May-94	126
Jun-94	126.3
Jul-94	126
Aug-94	121.9
Sep-94	115.2
Oct-94	110
Nov-94	110.5
Dec-94	113.1
Jan-95	117
Feb-95	124.8
Mar-95	126.9
Apr-95	129.5
May-95	128.6
Jun-95	126.9
Jul-95	125.7
Aug-95	121.8
Sep-95	116.3
Oct-95	111.8
Nov-95	113
Dec-95	113.7
Jan-96	115.9
Feb-96	119.7
Mar-96	126.1
Apr-96	128.5
May-96	128

WATER CONSERVATION – SUMMARY – GROUND WATER

GROUND WATER FLUCTUATION:

Location: Central Basin

Ground Surface Elevation: 159.7 ft above MSL

STATION	1601T
	WS Elev.
Jun-96	124.4
Jul-96	125.9
Aug-96	123.2
Sep-96	119.7
Oct-96	119.2
Nov-96	116.7
Dec-96	117.9
Jan-97	117
Feb-97	129.8
Mar-97	127.9
Apr-97	125.5
May-97	127.1
Jun-97	125.2
Jul-97	124.8
Aug-97	123.1
Sep-97	118
Oct-97	115.7
Nov-97	112.7
Dec-97	113.2
Jan-98	117.5
Feb-98	122.6
Mar-98	127.2
Apr-98	129.2
May-98	129.1
Jun-98	127.3
Jul-98	126.1
Aug-98	123.3
Sep-98	119.2
Oct-98	116.8
Nov-98	115.7
Dec-98	116.5
Jan-99	114.4
Feb-99	117.7
Mar-99	117.6
Apr-99	120.1
May-99	117.3
Jun-99	115.4
Jul-99	109.4

WATER CONSERVATION – SUMMARY – GROUND WATER

GROUND WATER FLUCTUATION:

Location: Central Basin

Ground Surface Elevation: 159.7 ft above MSL

STATION	1601T
	WS Elev.
Aau-99	105.4
Sep-99	100.9
Oct-99	97.3
Nov-99	95.9
Dec-99	96.8
Jan-00	103.3
Feb-00	113.6
Mar-00	119.5
Apr-00	119.9
May-00	119.2
Jun-00	118
Jul-00	114
Aug-00	108.8
Oct-00	103.7
Nov-00	105.7
Dec-00	108.3
01-Jan	107.8
01-Feb	110.5
01-Mar	117
01-Apr	117.1
01-May	114.3
01-Jun	110.7
01-Jul	106.7
01-Aug	100.7
01-Sep	98.1
01-Oct	97.1
01-Nov	98
01-Dec	106
02-Jan	113.5
02-Feb	113
02-Mar	111.1
02-Apr	110
02-May	108.5
02-Jun	106.5
02-Jul	105.4
02-Aug	101.4
02-Sep	95.7
02-Oct	93.2

WATER CONSERVATION – SUMMARY – GROUND WATER

GROUND WATER FLUCTUATION:

Location: Central Basin

Ground Surface Elevation: 159.7 ft above MSL

STATION	1601T
	WS Elev.
02-Nov	99.1
02-Dec	108.7
03-Jan	111.9
03-Feb	113.6
03-Mar	117.6
03-Apr	117.9
03-May	115.9
03-Jun	108.7
03-Jul	100.7
03-Aug	94.9
03-Sep	88.8
03-Oct	85.8
03-Nov	86.6
03-Dec	87.3
04-Jan	90.5
04-Feb	97.9
04-Mar	105.1
04-Apr	101.5
04-May	94.9
04-Jun	90.3
04-Jul	88
04-Aug	83.7
04-Sep	79.2
04-Oct	85.9
04-Nov	93.2
04-Dec	103.5
05-Jan	114.2
05-Feb	117.2
05-Mar	120.4
05-May	121.6
05-May	122.2
05-Jun	120.1
05-Jul	116.8
05-Aug	111.8
05-Sep	105.9

WATER CONSERVATION – SUMMARY – GROUND WATER

GROUND WATER FLUCTUATION:**Location : Main San Gabriel Basin****Ground Surface Elevation: 245.0 ft above MSL**

STATION	2955X	2965C
	WS Elev.	WS Elev.
Jan-61	209.9	
Feb-61	210.5	
Mar-61	210.1	
Apr-61	210.5	
May-61	209.7	
Jun-61	208.5	
Jul-61	207.8	
Aug-61	204.9	
Sep-61	204.3	
Oct-61	205.2	
Nov-61	205.9	
Dec-61	206.1	
Jan-62	208	
Feb-62	208.5	
Mar-62	209.9	
Apr-62	210.7	
May-62	211.2	
Jun-62	210.3	
Jul-62	210	
Aug-62	209.1	
Sep-62	209.2	
Oct-62	209.5	
Nov-62	209.2	
Dec-62	209.3	
Jan-63	209.9	
Feb-63	209.8	
Mar-63	209.8	
Apr-63	209.9	
May-63	208.4	
Jun-63	207.5	
Jul-63	206.5	
Aug-63	203.4	
Sep-63	202.4	
Oct-63	201.8	
Nov-63	203.3	
Dec-63	204.3	
Jan-64	204.6	

WATER CONSERVATION – SUMMARY – GROUND WATER

GROUND WATER FLUCTUATION:**Location : Main San Gabriel Basin****Ground Surface Elevation: 245.0 ft above MSL**

STATION	2955X	2965C
	WS Elev.	WS Elev.
Feb-64	203.6	
Mar-64	202.9	
Apr-64	201.3	
Jul-64	199.8	
Aug-64	198.2	
Sep-64	195.9	
Oct-64	195.1	
Nov-64	197.4	
Dec-64	194.2	
Jan-65	199.1	
Feb-65	198.4	
Mar-65	199.1	
Apr-65	200.2	
May-65	200.3	
Jun-65	199.5	
Jul-65	199.4	
Aug-65	196.8	
Sep-65	195.1	
Oct-65	194	
Nov-65	194	
Dec-65	196.2	
Jan-66	202.1	
Feb-66	202.4	
Mar-66	205.4	
Apr-66	206.6	
May-66	207.3	
Jun-66	209.2	
Jul-66	206.4	
Aug-66	205.4	
Sep-66	204.6	
Oct-66	206.5	
Nov-66	206.3	
Dec-66	207.1	
Jan-67	208.5	
Feb-67	209.4	
Mar-67	210.2	
Apr-67	211.8	

WATER CONSERVATION – SUMMARY – GROUND WATER

GROUND WATER FLUCTUATION:

Location : Main San Gabriel Basin

Ground Surface Elevation: 245.0 ft above MSL

STATION	2955X	2965C
	WS Elev.	WS Elev.
May-67	212.5	
Jun-67	213.6	
Jul-67	213.8	
Aug-67	213.9	
Sep-67	213.9	
Oct-67	213.8	
Nov-67	215.1	
Dec-67	215.6	
Jan-68	216.8	
Feb-68	217.8	
Mar-68	217.9	
Apr-68	217.8	
May-68	217.6	
Jun-68	217.4	
Jul-68	217.3	
Aug-68	216	
Sep-68	215.7	
Oct-68	215.4	
Nov-68	215.8	
Dec-68	215.3	
Jan-69	215.2	
Feb-69	217.6	
Mar-69	217.8	
Apr-69	218.8	
May-69	218.6	
Jun-69	218.9	
Jul-69	219.1	
Aug-69	218.9	
Sep-69	218	
Oct-69	218.3	
Nov-69	218.7	
Dec-69	218.5	
Jan-70	218.7	
Feb-70	218.5	
Mar-70	218.6	
Apr-70	218.3	
May-70	218	

WATER CONSERVATION – SUMMARY – GROUND WATER

GROUND WATER FLUCTUATION:

Location: Main San Gabriel Basin

Ground Surface Elevation: 245.0 ft above MSL

STATION	2955X	2965C
	WS Elev.	WS Elev.
Jul-70	217.1	
Aug-70	215.5	
Sep-70	215	
Oct-70	213.8	
Nov-70	213.2	
Dec-70	213.7	
Jan-71	213.9	
Feb-71	213.6	
Mar-71	213.7	
Apr-71	213.5	
May-71	214.6	
Jun-71	214.7	
Jul-71	214.4	
Aug-71	212.8	
Oct-71	207.1	
Nov-71	211.4	
Dec-71	211.3	
Jan-72	211.7	
Feb-72	212.8	
Mar-72	212.2	
Apr-72	210	
May-72	209.6	
Jun-72	208.1	
Jul-72	206.3	
Aug-72	206.7	
Sep-72	204.3	
Oct-72	202.9	
Nov-72	202.9	
Dec-72	204.5	
Jan-73	204.7	
Feb-73	205.7	
Mar-73	206.1	
Apr-73	206.6	
May-73	207.4	
Jun-73	207.8	
Jul-73	207.5	
Aug-73	207.5	

WATER CONSERVATION – SUMMARY – GROUND WATER

GROUND WATER FLUCTUATION:**Location : Main San Gabriel Basin****Ground Surface Elevation: 245.0 ft above MSL**

STATION	2955X	2965C
	WS Elev.	WS Elev.
Sep-73	207.2	
Oct-73	207.5	
Nov-73	206.7	
Dec-73	207.9	
Jan-74	207.8	
Feb-74	208.5	
Mar-74	208.5	
Apr-74	208.4	
May-74	208	
Jun-74	207.3	
Jul-74	206.5	
Aug-74	205.7	
Sep-74	205.4	
Oct-74	205.2	
Nov-74	205.2	
Dec-74	205	
Jan-75	205.2	
Feb-75	205	
Mar-75	205.3	
Apr-75	205	
May-75	204.2	
Jun-75	204.5	
Jul-75	204.2	
Aug-75	202.7	
Sep-75	201.8	
Oct-75	200.9	
Nov-75	200.6	
Dec-75	199.8	
Jan-76	200	
Feb-76	199.9	
Mar-76	200.2	
Apr-76	199.9	
May-76	199.1	
Jun-76	198.3	
Jul-76	198.1	
Aug-76	197	
Sep-76	194.8	

WATER CONSERVATION – SUMMARY – GROUND WATER

GROUND WATER FLUCTUATION:

Location: Main San Gabriel Basin

Ground Surface Elevation: 245.0 ft above MSL

STATION	2955X	2965C
	WS Elev.	WS Elev.
Oct-76	194.5	
Nov-76	193.9	
Dec-76	193.4	
Jan-77	193.5	
Feb-77	194.1	
Mar-77	194.4	
Apr-77	194	
May-77	193	
Jun-77	192.5	
Jul-77	191.4	
Aug-77	188.9	
Sep-77	188.5	
Oct-77	187.1	
Nov-77	186.3	
Dec-77	185.6	
Jan-78	186.6	
Feb-78	191.3	
Mar-78	194.9	
Apr-78	199.9	
May-78	201.2	
Jun-78	202.7	
Jul-78	203.8	
Aug-78	204.5	
Sep-78	205.6	
Oct-78	206.1	
Nov-78	207.2	
Dec-78	207.9	
Jan-79	209.2	
Feb-79	209.9	
Mar-79	210.8	
Jul-79	211.4	
Sep-79	211.1	
Oct-79	211.2	
Nov-79	211.4	
Dec-79	211.1	
Jan-80	211.6	
Feb-80	213.5	

WATER CONSERVATION – SUMMARY – GROUND WATER

GROUND WATER FLUCTUATION:**Location : Main San Gabriel Basin****Ground Surface Elevation: 245.0 ft above MSL**

STATION	2955X	2965C
	WS Elev.	WS Elev.
Mar-80	214.5	
Apr-80	214.4	
May-80	214.8	
Jun-80	214.9	
Jul-80	214.6	
Aug-80	214.5	
Sep-80	214.5	
Oct-80	214.6	
Nov-80	214.8	
Dec-80	214.9	
Jan-81	214.9	
Feb-81	215.1	
Mar-81	215.5	
Apr-81	214.9	
May-81	212.7	
Jun-81	213.5	
Jul-81	213.2	
Aug-81	211.8	
Sep-81	212.1	
Jan-82	210.3	
Apr-82	210.7	
May-82	210.4	
Aug-82	208.7	
Sep-82	208.4	
Oct-82	208.1	
Nov-82	208.5	
Dec-82	209.2	
Jan-83	209.5	
Feb-83	210.8	
Mar-83	212.7	
Apr-83	213.5	
May-83	214.3	
Jun-83	214.4	
Jul-83	215	
Aug-83	215.1	
Sep-83	215.7	
Oct-83	216.2	

WATER CONSERVATION – SUMMARY – GROUND WATER

GROUND WATER FLUCTUATION:**Location : Main San Gabriel Basin****Ground Surface Elevation: 245.0 ft above MSL**

STATION	2955X	2965C
	WS Elev.	WS Elev.
Nov-83	216.9	
Dec-83	217.3	
Jan-84	217.6	
Feb-84	217.6	
Mar-84	217.3	
Apr-84	217.3	
May-84	216.5	
Jun-84	216	
Jul-84	215.6	
Aug-84	214.2	
Sep-84	213.7	
Oct-84	212.5	
Nov-84	213.1	
Dec-84	213.5	
Jan-85	213.6	
Feb-85	213.5	
Jun-85	211.7	
Jul-85	210.1	
Aug-85	209.2	
Sep-85	207.9	
Oct-85	207.7	
Nov-85	207.3	
Dec-85	208	
Jan-86	207.8	
Feb-86	208	
Mar-86	209.5	
Apr-86	209.8	
May-86	209.3	
Jun-86	209	
Jul-86	207.6	
Aug-86	206.1	
Sep-86	205.9	
Oct-86	204	
Nov-86	204.4	
Dec-86	204.5	
Jan-87	204.7	217.5
Feb-87	204.6	217.5

WATER CONSERVATION – SUMMARY – GROUND WATER

GROUND WATER FLUCTUATION:**Location : Main San Gabriel Basin****Ground Surface Elevation: 245.0 ft above MSL**

STATION	2955X	2965C
	WS Elev.	WS Elev.
Mar-87	204.5	217.8
Apr-87	204.4	217.7
May-87	203.1	217
Jun-87	202.8	216.8
Jul-87	204.3	215.9
Aug-87	203.3	215.2
Sep-87	202.5	214.5
Oct-87	201.3	213.4
Nov-87	202.6	213.5
Dec-87	202.5	213.4
Jan-88	202.5	213.1
Feb-88	196.8	212.9
Mar-88	200.2	212.9
Apr-88	199.9	212.6
May-88	197.3	212.8
Jun-88	200.7	212.6
Jul-88	200.5	211.6
Aug-88	199	210.5
Sep-88	196.7	209
Oct-88	196.1	207.9
Nov-88	188.2	207
Dec-88	190.3	206.9
Jan-89	198.2	207.7
Jul-89		207.4
Aug-89	200.5	213.1
Sep-89		203
Nov-89	192.7	201.4
Dec-89	193.3	201.9
Jan-90	195.5	200.4
Feb-90	197.6	197.1
Mar-90	204.7	197
Apr-90	188.4	
May-90	190.8	199.5
Jun-90	191.4	
Nov-90		199.4
Apr-92		201
Mar-93		219.1

WATER CONSERVATION – SUMMARY – GROUND WATER

GROUND WATER FLUCTUATION:**Location : Main San Gabriel Basin****Ground Surface Elevation: 245.0 ft above MSL**

STATION	2955X	2965C
	WS Elev.	WS Elev.
Sep-93		220
Apr-94		222.3
Oct-94		217.8
Apr-95		220.2
Apr-96		223.3
Oct-96		220
May-97		220.1
Oct-97		215.4
Apr-98		219
Oct-98		220.2
Apr-99		220.7
Nov-99		216.4
Mar-00		216.1
Sep-00		218.1
01-Apr		213.4
01-Oct		215.3
02-May		215
02-Nov		205.7
03-Apr		206.6

WATER CONSERVATION – SUMMARY – GROUND WATER
--

GROUND WATER FLUCTUATION:**Location: Main San Gabriel Basin, Baldwin Park****Ground Surface Elevation: 386.7 ft above MSL**

STATION	3030F
	WS Elev.
Jan-60	250.4
Feb-60	250.8
Mar-60	251
Apr-60	250.4
May-60	248.9
Jun-60	247.3
Jul-60	244.8
Aug-60	241.4
Sep-60	239
Oct-60	235.8
Nov-60	236.1
Dec-60	236.7
Jan-61	236.7
Feb-61	236.5
Mar-61	236.5
Apr-61	236.1
May-61	235.1
Jun-61	233.6
Jul-61	231.4
Aug-61	228.9
Sep-61	226.6
Oct-61	225
Nov-61	224.1
Dec-61	224.2
Jan-62	225.3
Feb-62	225.4
Mar-62	233.6
Apr-62	245
May-62	243.7
Jun-62	242.1
Jul-62	240.1
Aug-62	239.2
Sep-62	240.4
Oct-62	238.8
Nov-62	238.3
Dec-62	238
Jan-63	237.6
Feb-63	236.5

WATER CONSERVATION – SUMMARY – GROUND WATER
--

GROUND WATER FLUCTUATION:**Location: Main San Gabriel Basin, Baldwin Park****Ground Surface Elevation: 386.7 ft above MSL**

STATION	3030F
	WS Elev.
Mar-63	236
Apr-63	235.4
May-63	233.6
Jun-63	233
Jul-63	228.1
Aug-63	225
Sep-63	223.7
Oct-63	223.2
Nov-63	223.7
Dec-63	223.7
Jan-64	223.6
Feb-64	222.9
Mar-64	222.3
Apr-64	221.6
May-64	220.3
Jun-64	219.2
Jul-64	217.4
Aug-64	215.6
Sep-64	213.8
Oct-64	212.2
Nov-64	211.2
Dec-64	211.6
Jan-65	212
Feb-65	212.1
Mar-65	212
Apr-65	212.6
May-65	222.9
Jun-65	211.7
Jul-65	211.9
Aug-65	211.8
Sep-65	209.8
Oct-65	209.2
Nov-65	209.2
Dec-65	211.3
Jan-66	233.6
Feb-66	251.5
Mar-66	252.5
Apr-66	254.7

WATER CONSERVATION – SUMMARY – GROUND WATER

GROUND WATER FLUCTUATION:**Location: Main San Gabriel Basin, Baldwin Park****Ground Surface Elevation: 386.7 ft above MSL**

STATION	3030F
	WS Elev.
May-66	252.8
Jun-66	248.9
Jul-66	245.4
Aug-66	240.5
Sep-66	236
Oct-66	233.3
Nov-66	231.6
Dec-66	231.6
Jan-67	247.4
Feb-67	249.3
Mar-67	260
Apr-67	266.8
May-67	274.8
Jun-67	284.7
Jul-67	287.7
Aug-67	284.9
Sep-67	280.6
Oct-67	276.8
Nov-67	275.3
Dec-67	274.7
Jan-68	277
Feb-68	276.4
Mar-68	275.7
Apr-68	274.9
May-68	273.7
Jun-68	271
Jul-68	268
Aug-68	264.6
Sep-68	260.4
Oct-68	258.5
Nov-68	256.9
Dec-68	256.3
Jan-69	256.6
Feb-69	260.4
Mar-69	278.3
Apr-69	293.9
May-69	300.3
Jun-69	301.8

WATER CONSERVATION – SUMMARY – GROUND WATER
--

GROUND WATER FLUCTUATION:**Location: Main San Gabriel Basin, Baldwin Park****Ground Surface Elevation: 386.7 ft above MSL**

STATION	3030F
	WS Elev.
Jul-69	298.6
Aug-69	293.3
Sep-69	288.5
Oct-69	284.1
Nov-69	280.2
Dec-69	278
Jan-70	276
Feb-70	274.5
Mar-70	273.3
Apr-70	277.4
May-70	277.7
Jun-70	274.2
Jul-70	270.8
Aug-70	266.7
Sep-70	263.2
Oct-70	260.1
Nov-70	258
Dec-70	256.6
Jan-71	257.1
Feb-71	261.3
Mar-71	262.9
Apr-71	261.6
May-71	259.6
Jun-71	257.7
Jul-71	255
Aug-71	251.5
Sep-71	248.1
Oct-71	245.2
Nov-71	243.6
Dec-71	242.8
Jan-72	242.1
Feb-72	243.2
Mar-72	243.1
Apr-72	242.2
May-72	240.3
Jun-72	237.9
Jul-72	234.7
Aug-72	230.9

WATER CONSERVATION – SUMMARY – GROUND WATER
--

GROUND WATER FLUCTUATION:**Location: Main San Gabriel Basin, Baldwin Park****Ground Surface Elevation: 386.7 ft above MSL**

STATION	3030F
	WS Elev.
Sep-72	228.1
Oct-72	226.1
Nov-72	224.9
Dec-72	225.3
Jan-73	226.7
Feb-73	226.3
Mar-73	229.7
Apr-73	244.7
May-73	250.3
Jun-73	250.8
Jul-73	247.4
Aug-73	243.6
Sep-73	239.3
Oct-73	236.9
Nov-73	235
Dec-73	234.7
Jan-74	234.8
Feb-74	237
Mar-74	240.7
Apr-74	240.6
May-74	240
Jun-74	238.7
Jul-74	238.5
Aug-74	237.1
Sep-74	235.6
Oct-74	233.5
Nov-74	231.8
Dec-74	230.6
Jan-75	230.2
Feb-75	229.3
Mar-75	228.6
Apr-75	228.8
May-75	230.2
Jun-75	232.6
Jul-75	234.8
Aug-75	231.5
Sep-75	227.5
Oct-75	224.9

WATER CONSERVATION – SUMMARY – GROUND WATER
--

GROUND WATER FLUCTUATION:**Location: Main San Gabriel Basin, Baldwin Park****Ground Surface Elevation: 386.7 ft above MSL**

STATION	3030F
	WS Elev.
Nov-75	224.5
Dec-75	223.7
Jan-76	224.7
Feb-76	223.2
Mar-76	222.6
Apr-76	225.9
May-76	226.1
Jun-76	223.4
Jul-76	220.2
Aug-76	217.2
Sep-76	214.7
Oct-76	214
Nov-76	214
Dec-76	213.8
Jan-77	212.5
Feb-77	213.8
Mar-77	215.5
Apr-77	214.5
May-77	212.8
Jun-77	212.3
Jul-77	211
Aug-77	208.6
Sep-77	207
Oct-77	205.7
Nov-77	204.9
Dec-77	203.7
Jan-78	203.7
Feb-78	210
Mar-78	229.7
Apr-78	244.9
May-78	254.5
Jun-78	262.5
Jul-78	270.4
Aug-78	266.9
Sep-78	260.9
Oct-78	258.6
Nov-78	256.1
Dec-78	255.5

WATER CONSERVATION – SUMMARY – GROUND WATER
--

GROUND WATER FLUCTUATION:**Location: Main San Gabriel Basin, Baldwin Park****Ground Surface Elevation: 386.7 ft above MSL**

STATION	3030F
	WS Elev.
Jan-79	253.8
Feb-79	256.3
Mar-79	257.8
Apr-79	262.2
May-79	267.2
Jun-79	268.6
Jul-79	266
Aug-79	262
Sep-79	257.7
Oct-79	254
Nov-79	251.6
Dec-79	250.5
Jan-80	249.9
Feb-80	249.3
Mar-80	255.7
Apr-80	267
May-80	278
Jun-80	284.9
Jul-80	281.6
Aug-80	276.7
Sep-80	272
Oct-80	268.6
Nov-80	265.2
Dec-80	263.1
Jan-81	262.7
Feb-81	261.5
Mar-81	260.4
Apr-81	259.5
May-81	257.7
Jun-81	255.3
Jul-81	251.9
Aug-81	248.2
Sep-81	245.3
Oct-81	242.8
Nov-81	241.7
Dec-81	241.3
Jan-82	242.4
Feb-82	244.6

WATER CONSERVATION – SUMMARY – GROUND WATER

GROUND WATER FLUCTUATION:**Location: Main San Gabriel Basin, Baldwin Park****Ground Surface Elevation: 386.7 ft above MSL**

STATION	3030F
	WS Elev.
Mar-82	247.2
Apr-82	249.7
May-82	249.1
Jun-82	247.5
Jul-82	245.1
Aug-82	243.6
Sep-82	241.2
Oct-82	240.5
Nov-82	245.6
Dec-82	249.9
Jan-83	252.3
Feb-83	253.2
Mar-83	256.8
Apr-83	271.4
May-83	279.8
Jun-83	286.9
Jul-83	293.9
Aug-83	293.8
Sep-83	288.3
Oct-83	283.2
Nov-83	280.9
Dec-83	282.5
Jan-84	280.9
Feb-84	281.9
Mar-84	279.8
Apr-84	276.6
May-84	273.7
Jun-84	270
Jul-84	266.4
Aug-84	262.4
Sep-84	258.7
Oct-84	254
Nov-84	253.5
Dec-84	252.7
Jan-85	252.4
Feb-85	254.4
Mar-85	252.9
Apr-85	251.5

WATER CONSERVATION – SUMMARY – GROUND WATER
--

GROUND WATER FLUCTUATION:**Location: Main San Gabriel Basin, Baldwin Park****Ground Surface Elevation: 386.7 ft above MSL**

STATION	3030F
	WS Elev.
May-85	250.1
Jun-85	248
Jul-85	245.3
Aug-85	242.1
Sep-85	239.1
Oct-85	237.5
Nov-85	238.7
Dec-85	242.2
Jan-86	245.4
Feb-86	247.1
Mar-86	247.7
Apr-86	252.9
May-86	253.9
Jun-86	252.8
Jul-86	250.2
Aug-86	247.2
Sep-86	243.3
Oct-86	240.7
Nov-86	239
Dec-86	237.4
Jan-87	239
Feb-87	239.8
Mar-87	240.7
Apr-87	241.5
May-87	241
Jun-87	238.2
Jul-87	235.9
Aug-87	232.6
Sep-87	229.9
Oct-87	227.8
Nov-87	226.8
Dec-87	226.9
Jan-88	227.8
Feb-88	230.1
Mar-88	232.5
Apr-88	230.7
May-88	228.7
Jun-88	226.1

WATER CONSERVATION – SUMMARY – GROUND WATER
--

GROUND WATER FLUCTUATION:**Location: Main San Gabriel Basin, Baldwin Park****Ground Surface Elevation: 386.7 ft above MSL**

STATION	3030F
	WS Elev.
Jul-88	223.7
Aug-88	221.9
Sep-88	219.4
Oct-88	217.7
Nov-88	216.7
Dec-88	216.2
Jan-89	218.7
Feb-89	223.6
Mar-89	225.5
Apr-89	224.1
May-89	222.3
Jun-89	225.9
Jul-89	221.4
Aug-89	218.9
Sep-89	210.2
Oct-89	211.2
Nov-89	210.4
Dec-89	209.5
Jan-90	208.8
Feb-90	207.9
Mar-90	207.7
Apr-90	207.8
May-90	209.5
Jun-90	208.3
Jul-90	205.7
Aug-90	203.5
Sep-90	201
Oct-90	191.7
Nov-90	199.8
Dec-90	200.5
Jan-91	199.8
Feb-91	198.5
Mar-91	196.7
Apr-91	198.4
May-91	200.7
Jun-91	200.7
Jul-91	198
Aug-91	199.7

WATER CONSERVATION – SUMMARY – GROUND WATER
--

GROUND WATER FLUCTUATION:**Location: Main San Gabriel Basin, Baldwin Park****Ground Surface Elevation: 386.7 ft above MSL**

STATION	3030F
	WS Elev.
Sep-91	212.4
Oct-91	206.3
Nov-91	209.3
Dec-91	209.9
Jan-92	210.5
Feb-92	210.9
Mar-92	215.8
Apr-92	226.1
May-92	233
Jun-92	233.5
Jul-92	237.5
Aug-92	238.1
Sep-92	235.5
Oct-92	232.1
Nov-92	230.7
Dec-92	231.5
93-JAN	238.5
Feb-93	246
Mar-93	254.8
Apr-93	263.4
May-93	269.3
Jun-93	271.3
Jul-93	266.8
Aug-93	263.6
Sep-93	259.7
Oct-93	259
Nov-93	259
Dec-93	257.1
Jan-94	255.4
Feb-94	253.2
Mar-94	251.4
Apr-94	249.3
May-94	247.8
Jun-94	249
JUL-94.	248.1
Aug-94	245.2
Sep-94	241.8
Oct-94	238.5

WATER CONSERVATION – SUMMARY – GROUND WATER
--

GROUND WATER FLUCTUATION:**Location: Main San Gabriel Basin, Baldwin Park****Ground Surface Elevation: 386.7 ft above MSL**

STATION	3030F
	WS Elev.
Nov-94	237
Dec-94	235.4
Jan-95	235.4
Feb-95	238.1
Mar-95	248.3
Apr-95	264.2
May-95	270.1
Jun-95	271.1
JUL-945	267.8
Aug-95	265.7
Sep-95	263
Oct-95	257.1
Nov-95	257.4
Dec-95	255.9
Jan-96	253.5
Feb-96	252.8
Mar-96	250.1
Apr-96	249.9
May-96	248.2
Jun-96	249.2
Jul-96	248.4
Aug-96	247.3
Sep-96	248
Oct-96	249.4
Nov-96	248.4
Dec-96	246.5
Jan-97	246.2
Feb-97	248.6
Mar-97	250.9
Apr-97	248.1
May-97	245.7
Jun-97	242.6
Jul-97	240.5
Aug-97	238.9
Sep-97	239.6
Oct-97	238.6
Nov-97	238.3
Dec-97	241.4

WATER CONSERVATION – SUMMARY – GROUND WATER
--

GROUND WATER FLUCTUATION:**Location: Main San Gabriel Basin, Baldwin Park****Ground Surface Elevation: 386.7 ft above MSL**

STATION	3030F
	WS Elev.
Jan-98	240.8
Feb-98	241.4
Mar-98	245.8
Apr-98	251.7
May-98	259
Jun-98	265.2
Jul-98	267.6
Aug-98	266.1
Sep-98	264.8
Oct-98	262.3
Nov-98	260.9
Dec-98	259.1
Jan-99	256.3
Feb-99	253.9
Mar-99	251.9
Apr-99	250.4
May-99	248
Jun-99	245.5
Jul-99	242.5
Aug-99	240.5
Sep-99	238.9
Oct-99	237.4
Nov-99	235.7
Dec-99	233.1
Jan-00	231.4
Feb-00	231
Mar-00	231
Apr-00	230.6
May-00	229.6
Jun-00	228.5
Jul-00	227.4
Aug-00	225.8
Sep-00	224.9
Oct-00	226.6
Nov-00	227.8
Dec-00	229
01-Jan	229.1
01-Feb	227.9

WATER CONSERVATION – SUMMARY – GROUND WATER

GROUND WATER FLUCTUATION:**Location: Main San Gabriel Basin, Baldwin Park****Ground Surface Elevation: 386.7 ft above MSL**

STATION	3030F
	WS Elev.
01-Mar	227.7
01-Apr	225.9
01-May	223.1
01-Jun	221.2
01-Jul	218.2
01-Aug	217.1
01-Sep	216.4
01-Oct	215.2
01-Nov	216.9
01-Dec	217.9
02-Jan	218
02-Feb	216.5
02-Mar	215.1
02-Apr	214.1
02-May	213.1
02-Jun	211.4
02-Jul	209.7
02-Aug	207.6
02-Sep	206.1
02-Oct	204.3
02-Nov	203.4
02-Dec	203.4
03-Jan	203.5
03-Feb	203.2
03-Mar	203.4
03-Apr	203.5
03-May	202.8
03-Jun	203.1
03-Jul	204.8
03-Aug	204.8
03-Sep	205.2
03-Oct	210.1
03-Nov	209.7
03-Dec	209.4
04-Jan	210.9
04-Feb	212.5
04-Mar	212.2
04-Apr	211.3

WATER CONSERVATION – SUMMARY – GROUND WATER**GROUND WATER FLUCTUATION:****Location: Main San Gabriel Basin, Baldwin Park****Ground Surface Elevation: 386.7 ft above MSL**

STATION	3030F
	WS Elev.
04-May	208
04-Jun	204.9
04-Jul	201.4
04-Aug	199.2
04-Sep	197.4
04-Oct	196.1
04-Nov	195.4
04-Dec	195.8
05-Jan	203.4
05-Feb	222
05-Mar	238.1
05-May	245
05-May	247.7
05-Jun	249.6
05-Jul	244.7
05-Aug	241.9
05-Sep	240.9

WATER CONSERVATION – SUMMARY – GROUND WATER

GROUND WATER FLUCTUATION:

Location: Pomona Basin

Ground Surface Elevation: 999.4 ft above MSL

STATION	3251E	3261P	4469A
	WS Elev.	WS Elev.	WS Elev.
Jan-55	761.6		
Feb-55	766.2		
Mar-55	768.5		
Apr-55	763.9		
May-55	770.8		
Jun-55	770.8		
Jul-55	756.9		
Aug-55	725.8		
Sep-55	720		
Oct-55	738.5		
Nov-55	717.7		
Dec-55	754.6		
Jan-56	754.6		
Feb-56	756.9		
Mar-56	759.3		
Apr-56	759.3		
May-56	763.9		
Jun-56	763.9		
Jul-56	745.4		
Aug-56	731.5		
Sep-56	740.7		
Feb-57	746		
Mar-57	739.3		
Apr-57	746.2		
May-57	753.2		
Jun-57	750.9		
Jul-57	711.6		
Aug-57	689.7		
Sep-57	676		
Oct-57	711.6		
Nov-57	714		
Jan-58		663.1	
Feb-58	706.3	665.6	
Mar-58	716.9	664.4	
Apr-58	718	665.6	
May-58	631.4	640.2	
Jun-58	690.3	628.6	
Jul-58	682.3	647.1	

WATER CONSERVATION – SUMMARY – GROUND WATER

GROUND WATER FLUCTUATION:**Location: Pomona Basin****Ground Surface Elevation: 999.4 ft above MSL**

STATION	3251E	3261P	4469A
	WS Elev.	WS Elev.	WS Elev.
Aug-58	686.9	644.8	
Sep-58	654.6	646	
Oct-58	652.3	643.6	
Nov-58	686.9	644.8	
Dec-58	690.3	646	
Jan-59	691.5	646	
Feb-59	685.7	695.6	
Mar-59	698.4	702.6	
Apr-59	707.7	702.6	
May-59	694.9	650.6	
Jun-59	690.3	647.1	
Jul-59	686.9	637.9	
Aug-59	675.3	663.3	
Sep-59	670.7	629.8	
Oct-59		624	
Nov-59	662.6	628.6	
Dec-59	669.6	626.3	
Jan-60	670.7	624	
Feb-60	674.2	627.5	
Mar-60	673	628.6	
Apr-60	673	626.3	
May-60	670.7	617.1	
Jun-60	676.1	624	
Jul-60	662.6	617.9	
Aug-60	637.2	607.9	
Sep-60	644.1	603.2	
Oct-60	641.8	606.7	
Nov-60	643	610.2	
Dec-60	663.8	663.3	
Jan-61	656.8	620.6	
Feb-61	675.3	672.5	
Mar-61	675.9	677.2	
Apr-61	682.3	679.5	
May-61	662.6		
Jun-61	655.7		
Jul-61	604.9	606.3	
Aug-61	624.5	621.3	
Sep-61	617.6	578.6	

WATER CONSERVATION – SUMMARY – GROUND WATER

GROUND WATER FLUCTUATION:

Location: Pomona Basin

Ground Surface Elevation: 999.4 ft above MSL

STATION	3251E	3261P	4469A
	WS Elev.	WS Elev.	WS Elev.
Oct-61	623.3		
Nov-61	622.2		
Dec-61	629.1		
Jan-62	643	645.6	
Feb-62	646.5	643.3	
Mar-62	650	650.2	
Apr-62	652.3	652.5	
May-62	643		
Jun-62	640.8		
Jul-62	637.3	590.2	
Aug-62	640.8	622.5	
Sep-62	626.9	579.8	
Oct-62	632.7	585.6	
Nov-62	629.2	578.7	
Dec-62	629.2	574	
Jan-63	630.4	578.7	
Feb-63	629.2	630.6	
Mar-63	632.7	569.4	
Apr-63	623.5	576.4	
May-63	626.9	572.9	
Jun-63	628.1	613.3	
Jul-63	570.3	563.6	
Aug-63	608.4	601.7	
Sep-63	600.3	601.7	
Oct-63	548.3	555.5	
Nov-63	593.4	558	
Dec-63	609.6	556.9	
Jan-64	608.4	565.9	
Feb-64	620	619	
Mar-64	615.3	569.4	
Apr-64	608.4	562.5	
May-64	613	567.1	
Jun-64	606.1		
Jul-64	548.3	553.2	
Aug-64	584.1	550.9	
Sep-64	588.7	604.3	
Oct-64	583	539.6	
Nov-64	583	593.9	

WATER CONSERVATION – SUMMARY – GROUND WATER

GROUND WATER FLUCTUATION:

Location: Pomona Basin

Ground Surface Elevation: 999.4 ft above MSL

STATION	3251E	3261P	4469A
	WS Elev.	WS Elev.	WS Elev.
Dec-64	593.4	597.4	
Jan-65	588.7	532.7	
Feb-65	588.7	522.3	
Mar-65	583	528.1	
Apr-65	585.3	533.8	
May-65	583	527	
Jun-65	537.9	521	
Jul-65	578.4	528.1	
Aug-65		517.7	
Sep-65	559.9	513.1	
Oct-65	571.4	520	
Nov-65	571.5		
Dec-65	574.9	575.3	
Jan-66		517.7	
Feb-66	581.8	580	
Mar-66	578.4	515.4	
Apr-66		517.7	
Jun-66	564.6		
Jul-66	551.9		
Aug-66	541.5		
Sep-66	541.5		
Oct-66	546.1		
Nov-66	548.5	510.7	
Jan-67	553.1	499.2	
Feb-67	557.7	506.1	
Mar-67	549.6	499.2	
Apr-67	550.8	499.2	
May-67	550.8	499.2	
Jun-67	553.1	561.6	
Jul-67	543.8	496.9	
Aug-67	541.5	480.7	
Sep-67	536.9	477.2	
Oct-67	541.5	556.9	
Nov-67	553.1	492.3	
Dec-67	560		
Jan-68	566.9	495.7	
Feb-68	557.7	492.3	
Mar-68	560	496.9	

WATER CONSERVATION – SUMMARY – GROUND WATER

GROUND WATER FLUCTUATION:**Location: Pomona Basin****Ground Surface Elevation: 999.4 ft above MSL**

STATION	3251E	3261P	4469A
	WS Elev.	WS Elev.	WS Elev.
Apr-68	560	496.9	
May-68	562.3	490	
Jun-68	487.1	473.8	
Jul-68	549.6	555.9	
Aug-68	536.9		
Sep-68	535.7		
Oct-68	553.1		
Nov-68	546.1	501.6	
Dec-68	555.4	500.4	
Jan-69		493.5	
Feb-69	553.1	490	
Mar-69	557.7	565.1	
Apr-69	557.7	559.3	
May-69	472.2	490	
Jun-69	543.8	479.6	
Jul-69	553.1	480.8	
Aug-69	546.1	478.5	
Sep-69	430.6	446.1	
Oct-69	533.4	470.4	
Nov-69	541.5	473.8	
Dec-69	551.9	552.4	
Jan-70	554.2	543.1	
Feb-70	557.7	550.1	
Mar-70	564.6	555.8	
Apr-70	571.6	550.1	
May-70	574	488.8	
Jun-70	586	554.7	
Jul-70	590.7	575.5	
Aug-70	590.7	492.3	
Sep-70	597.7	495.8	
Oct-70	602.3	495.8	
Nov-70	608	498.6	
Dec-70	612.7	573.2	
Jan-71	623.1	588.2	
Feb-71	620.8	598.6	
Mar-71	635.8	605.5	
Apr-71	642.7	619.9	
May-71	643.9	533.9	

WATER CONSERVATION – SUMMARY – GROUND WATER

GROUND WATER FLUCTUATION:

Location: Pomona Basin

Ground Surface Elevation: 999.4 ft above MSL

STATION	3251E	3261P	4469A
	WS Elev.	WS Elev.	WS Elev.
Jun-71	648.5	533.9	
Jul-71	646.2	527	
Aug-71	650.8	525.8	
Sep-71	650.8	569.1	
Oct-71	655.4	525.8	
Nov-71	655.5	524.7	
Dec-71	657.7	605.5	
Jan-72	657.7	525.8	
Feb-72	662.4	626.3	
Mar-72		536.2	
Apr-72	649.6	614.8	
May-72		531.6	
Jun-72		528.1	
Jul-72	669.5	515.4	
Aug-72		510.8	
Sep-72		501.6	
Oct-72		496.9	
Nov-72		500.4	
Dec-72	620.8	587	
Jan-73	628	591.7	
Feb-73	628	510.8	
Mar-73	620	591.7	
Apr-73	634	600.9	
May-73	593.1	605.5	
Jun-73	574.6	502.7	
Jul-73	567.9	499.3	
Aug-73	556.1	490.1	
Sep-73	542.3	487.7	
Oct-73	551.5	490	
Nov-73	537.7	475	
Dec-73	580.4	570.9	
Jan-74	605.8	486.6	
Feb-74	616.2	479.6	
Mar-74	613.9	477.3	
Apr-74	627.8	487.7	
May-74	625.4	488.9	
Jun-74	593.1		
Jul-74	548.1	477.3	

WATER CONSERVATION – SUMMARY – GROUND WATER

GROUND WATER FLUCTUATION:

Location: Pomona Basin

Ground Surface Elevation: 999.4 ft above MSL

STATION	3251E	3261P	4469A
	WS Elev.	WS Elev.	WS Elev.
Aug-74	537.7	471.5	
Sep-74	530.7	466.9	
Oct-74		461.1	
Nov-74	557.3	458.8	
Dec-74	585	559.3	
Jan-75	614	579	
Feb-75	619	600.9	
Mar-75	628.9	607.8	
Apr-75	637	614.8	
May-75	641.6	619.4	
Jun-75	632.4	610.1	
Jul-75	576.9	600.9	
Aug-75	553.8	503.9	
Sep-75	540	494.6	
Oct-75	573.5	478.5	
Nov-75	595.4	590.5	
Dec-75	607	600.9	
Jan-76	616.2	603.2	
Feb-76	623.2	605.5	
Mar-76	632.4	617.1	
Apr-76	634.7	619.4	
May-76	641.7	621.7	
Jun-76	572.3	515.4	
Jul-76	553.8	506.2	
Aug-76		567.4	
Sep-76	567.7	570.9	
Oct-76	593.2	587	
Nov-76	602.4	589.4	
Dec-76	608.1	607.8	
Jan-77	604.7	605.5	
Feb-77		610.1	
Mar-77	613.9	617.1	
Apr-77	630.1	617.1	
May-77	570.8	592.8	
Jun-77	579.2	596.3	
Jul-77	559.6		
Aug-77	544.5		
Sep-77	540		

WATER CONSERVATION – SUMMARY – GROUND WATER

GROUND WATER FLUCTUATION:

Location: Pomona Basin

Ground Surface Elevation: 999.4 ft above MSL

STATION	3251E	3261P	4469A
	WS Elev.	WS Elev.	WS Elev.
Oct-77	530.7		
Nov-77	549.2		
Dec-77	579.3	559.3	
Jan-78	589.7		
Feb-78	593.1		
Mar-78	590.8		
Apr-78	604.7	577.8	
May-78	607		
Jun-78	616.2		
Nov-78	556.2	540.8	
Dec-78	556.2	540.8	
Jan-79	581.6	563.9	
Feb-79	507.6		
Mar-79	509.9		
Apr-79	485	531.6	
May-79	482.2		
Jun-79	484.5		
Jul-79	496.1		
Aug-79	478.8		
Sep-79	479.9		
Oct-79	483.4		
Nov-79	545.8	529.3	
Dec-79	533.1		
Jan-80	590.8	550.1	
Feb-80	600	552.4	
Mar-80	630.1		
Apr-80	641.6	598.6	
May-80	643.9		
Jun-80	611.6		
Jul-80	648.6		
Aug-80	593.1		
Sep-80	581.6		
Oct-80	576.9		
Nov-80	643.9	594	937.7
Dec-80	653.2		
Jan-81	664.7		
Feb-81	646.2	577.8	
Mar-81	677.4		932.7

WATER CONSERVATION – SUMMARY – GROUND WATER

GROUND WATER FLUCTUATION:

Location: Pomona Basin

Ground Surface Elevation: 999.4 ft above MSL

STATION	3251E	3261P	4469A
	WS Elev.	WS Elev.	WS Elev.
Apr-81	671.7	624	
May-81	693.6	633.2	
Jun-81	650.9		
Jul-81	648.6		
Aug-81	648.6	610.1	
Sep-81	641.6		888.7
Oct-81	654.3		934.7
Nov-81	645.1		
Dec-81	655.5	562.8	
Jan-82	700.5		
Feb-82	740.9	672.5	
Mar-82	743.3		
Apr-82	758.3	695.6	962.7
May-82	727.1		
Jun-82	678.6		
Jul-82	671.7		
Aug-82	670.5		
Sep-82	680.9		
Oct-82	671.7	644.8	952.7
Nov-82	741		
Dec-82	752.5	710.6	
Jan-83	773.3	725.6	
Feb-83	775.6	727.9	
Mar-83	781.4	729.1	
Apr-83	788.3	744.1	
May-83	740.9	727.9	947.7
Jun-83	777.4		966.7
Jul-83	771	710.6	
Oct-83	787.1	737.2	979.7
Nov-83	796.4	687.5	
Dec-83	810.2	684.1	
Jan-84	812.1	774.1	
Feb-84	825.3	704.8	
Apr-84	811.4	661	
May-84	815.6		
Jun-84	811.4	724.5	
Jul-84	823		
Aug-84	825.3		

WATER CONSERVATION – SUMMARY – GROUND WATER

GROUND WATER FLUCTUATION:**Location: Pomona Basin****Ground Surface Elevation: 999.4 ft above MSL**

STATION	3251E	3261P	4469A
	WS Elev.	WS Elev.	WS Elev.
Sep-84	911.9	771.8	
Oct-84	915.8	783.4	940.7
Nov-84	918.1	815.7	
Dec-84	921.8	693.3	
Jan-85	914.7	799.6	
Feb-85	947.7	771.8	
Mar-85	955.8	820.3	
Apr-85		820.3	933.7
Jun-85			971.7
Oct-85		855	
Nov-85			979.7
Apr-86		843.4	969.7
Aug-86			933.7
Dec-86		809.3	
Aug-87		870.4	
Oct-87		894	957.7
Nov-87		704.7	
Dec-87		817.9	
Jan-88		708.6	
Feb-88		700.9	
Mar-88		873.6	
Apr-88		872.4	
May-88		705.7	
Jun-88		698.2	
Dec-88		769.4	
Apr-89		807.5	
Sep-89		810.8	
Oct-89		805.5	976.7
Dec-89		834.1	
Apr-90		799.4	972.7
Oct-90			981.7
Apr-91			979.7
Sep-91		868.2	
Oct-91			971.4
Dec-91		783.3	
Apr-92		790.2	975.7
Oct-92			969.7
Dec-92		842.6	

WATER CONSERVATION – SUMMARY – GROUND WATER

GROUND WATER FLUCTUATION:**Location: Pomona Basin****Ground Surface Elevation: 999.4 ft above MSL**

STATION	3251E	3261P	4469A
	WS Elev.	WS Elev.	WS Elev.
Mar-93		852.1	
Apr-93		861.8	
May-93		852.5	
Jun-93		858.1	
Aug-93		872.4	
Sep-93		879.2	
Dec-93		891.5	
Jan-94		900.7	
Feb-94		912.6	
Mar-94		893.5	
Apr-94		889.3	
May-94		931.2	
Nov-94		931.5	
Dec-94		939.2	
Jan-95		950.2	
Feb-95		950.8	
Apr-95		920.1	
May-95		931	
Jun-95		943.7	
Jul-95		934.9	
Aug-95		903.1	
Sep-95		920.9	
Oct-95		935.8	
Nov-95		942.6	
Dec-95		940.6	
Jan-96		920.9	
Feb-96		947.7	
Mar-96		938.6	
Apr-96		931.9	
May-96		918.3	
Jun-96		913.2	
Jul-96		927	
Aug-96		929.1	
Oct-96		911.8	
Nov-96		945.9	
Dec-96		949.4	
Jan-97		957	
Feb-97		961.4	

WATER CONSERVATION – SUMMARY – GROUND WATER

GROUND WATER FLUCTUATION:**Location: Pomona Basin****Ground Surface Elevation: 999.4 ft above MSL**

STATION	3251E	3261P	4469A
	WS Elev.	WS Elev.	WS Elev.
Mar-97		960.3	
Apr-97		956.8	
May-97		960.5	
Jun-97		960.6	
Jul-97		957.6	
Aug-97		960.5	
Sep-97		950.5	
Oct-97		957.8	
Nov-97		958	
Feb-98		960.2	
Mar-98		965.5	
Apr-98		959.4	
May-98		965.5	
Jun-98		953.4	
Jul-98		965	
Aug-98		962.3	
Nov-98		966.4	
Dec-98		971.5	
Jan-99		973	
Feb-99		974.7	
Mar-99		973.4	
Apr-99		974.4	
May-99		974	
Jul-99		974.7	
Aug-99		974.6	
Jan-00		938.2	
Mar-00		979.3	
Apr-00		977.8	
May-00		974.9	
Jun-00		973	
Jul-00		972.7	
Aug-00		971.3	
Sep-00		970.4	
Oct-00		971.1	
Dec-00		974.3	
01-Jan		974.1	
01-Mar		973.8	
01-Apr		973	

WATER CONSERVATION – SUMMARY – GROUND WATER

GROUND WATER FLUCTUATION:

Location: Pomona Basin

Ground Surface Elevation: 999.4 ft above MSL

STATION	3251E	3261P	4469A
	WS Elev.	WS Elev.	WS Elev.
01-Sep		968.5	
01-Oct		967.9	
02-May		963.1	
02-Jun		965.7	
02-Jul		965.9	
02-Nov		963.4	
03-Apr		962.4	
03-May		963.3	
03-Nov		959.9	
04-Apr		956.9	
04-Oct	955.2		
05-Mar	948.4		

WATER CONSERVATION – SUMMARY – GROUND WATER

GROUND WATER FLUCTUATION:

Location : San Fernando Valley, Canoga Park

Ground Surface Elevation: 788.5 ft above MSL

STATION	4709	3600H
	WS Elev.	WS Elev.
Jan-61	776.2	
Feb-61	776.4	
Mar-61	775.4	
Apr-61	774.8	
May-61	774.2	
Jun-61	773.7	
Jul-61	773	
Aug-61	772.9	
Sep-61	772.5	
Oct-61	772	
Nov-61	771.4	
Dec-61	772.7	
Jan-62	773.3	
Feb-62	774.2	
Mar-62	776	
Apr-62	776.2	
May-62	776.3	
Jun-62	776.2	
Jul-62	775	
Aug-62	773.5	
Sep-62	772.8	
Oct-62	773	
Nov-62	773.3	
Dec-62	772.6	
Jan-63	772.2	
Feb-63	772.2	
Mar-63	772.6	
Apr-63	772.7	
May-63	772.7	
Jun-63	772.6	
Jul-63	771.9	
Aug-63	770.8	
Sep-63	771.6	
Oct-63	772.5	
Nov-63	771.8	
Dec-63	772.6	
Jan-64	773.4	
Feb-64	773.4	

WATER CONSERVATION – SUMMARY – GROUND WATER

GROUND WATER FLUCTUATION:

Location : San Fernando Valley, Canoga Park

Ground Surface Elevation: 788.5 ft above MSL

STATION	4709	3600H
	WS Elev.	WS Elev.
Mar-64	772.5	
Apr-64	772.2	
May-64	772	
Jun-64	771.8	
Jul-64	771.3	
Aug-64	770.9	
Sep-64	770.5	
Oct-64	770	
Nov-64	770	
Dec-64	769.9	
Jan-65	770.5	
Feb-65	770.3	
Mar-65	770.4	
Apr-65	770.9	
May-65	770.9	
Jun-65	770.4	
Jul-65	769.7	
Aug-65	769.5	
Sep-65	769.2	
Oct-65	768.7	
Nov-65	768.6	
Dec-65	770.6	
Jan-66	771	
Feb-66	772.8	
Mar-66	773	
Apr-66	771.8	
May-66	771.6	
Jun-66	771.5	
Jul-66	771.8	
Aug-66	770.8	
Sep-66	769.8	
Oct-66	770.4	
Nov-66	771.2	
Dec-66	771.9	
Jan-67	772.3	
Feb-67	772.4	
Mar-67	772.8	
Apr-67	772.1	

WATER CONSERVATION – SUMMARY – GROUND WATER

GROUND WATER FLUCTUATION:

Location : San Fernando Valley, Canoga Park

Ground Surface Elevation: 788.5 ft above MSL

STATION	4709	3600H
	WS Elev.	WS Elev.
May-67	772.6	
Jun-67	772.1	
Jul-67	772.1	
Aug-67	772.3	
Sep-67	772.1	
Oct-67	772	
Nov-67	771.8	
Dec-67	772.6	
Jan-68	773	
Feb-68	773	
Mar-68	773.2	
Apr-68	773.4	
May-68	772	
Jun-68	771.1	
Jul-68	771	
Aug-68	770.7	
Sep-68	770.4	
Oct-68	770.1	
Nov-68	770.1	
Dec-68	770.1	
Jan-69	770.2	
Feb-69	773.4	
Mar-69	773.8	
May-69	773.8	
Jun-69	773.6	
Jul-69	773.5	
Aug-69	773.7	
Sep-69	773.6	
Oct-69	771.8	
Nov-69	773	
Dec-69	772.6	
Jan-70	772.3	
Feb-70	772.5	
Mar-70	773.2	
Apr-70	772.9	
May-70	773	
Jun-70	772.1	
Jul-70	772	

WATER CONSERVATION – SUMMARY – GROUND WATER

GROUND WATER FLUCTUATION:

Location : San Fernando Valley, Canoga Park

Ground Surface Elevation: 788.5 ft above MSL

STATION	4709	3600H
	WS Elev.	WS Elev.
Aug-70	771.9	
Sep-70	771.6	
Oct-70	771.2	
Nov-70	771.7	
Dec-70	772.1	
Jan-71	772.9	
Feb-71	772.1	
Mar-71	771.7	
Apr-71	771.7	
May-71	771.6	
Jun-71	771.4	
Jul-71	771.3	
Oct-71	769.8	
Nov-71	769.7	
Dec-71	769.5	
Jan-72	770.3	
Feb-72	770.6	
Mar-72	770.1	
Apr-72	769.5	
May-72	769.2	
Jun-72	769.1	
Jul-72	769.5	
Aug-72	769.6	
Sep-72	769.5	
Oct-72	769.5	
Nov-72	769.1	
Dec-72	769.3	
Jan-73	769	
Feb-73	770	
Mar-73	770.2	
Apr-73	770.3	
May-73	770.3	
Jul-73	770.1	
Aug-73	769.8	
Nov-73	768.7	
Dec-73	768.9	
Jan-74	769.6	
Feb-74	769.7	

WATER CONSERVATION – SUMMARY – GROUND WATER

GROUND WATER FLUCTUATION:

Location : San Fernando Valley, Canoga Park

Ground Surface Elevation: 788.5 ft above MSL

STATION	4709	3600H
	WS Elev.	WS Elev.
Mar-74	769.9	
Apr-74	769.9	
May-74	769.7	
Jun-74	769.6	
Jul-74	769.3	
Aug-74	769.1	
Sep-74	769	
Oct-74	768.7	
Nov-74	768.7	
Dec-74	768.7	
Jan-75	768.8	
Feb-75	768.9	
Mar-75	769.1	
Apr-75	769.2	
May-75	769.3	
Jun-75	769.1	
Jul-75	769.3	
Aug-75	768.6	
Sep-75	768.4	
Oct-75	768.2	
Nov-75	768.1	
Dec-75	768.1	
Jan-76	768.1	
Feb-76	768.1	
Apr-76	768.2	
May-76	768.2	
Aug-76	767.4	
Sep-76	767.3	
Oct-76	767.2	
Nov-76	766.9	
Dec-76	766.7	
Jan-77	766.9	
Feb-77	767	
Mar-77	766.8	
Apr-77	766.9	
Jun-77	766.5	
Jul-77	766.2	
Aug-77	766	

WATER CONSERVATION – SUMMARY – GROUND WATER

GROUND WATER FLUCTUATION:

Location : San Fernando Valley, Canoga Park

Ground Surface Elevation: 788.5 ft above MSL

STATION	4709	3600H
	WS Elev.	WS Elev.
Sep-77	765.8	
Oct-77	765.4	
Nov-77	765.4	
Dec-77	765.2	
Jan-78	765.7	
Feb-78	766.2	
Mar-78	767.5	
Apr-78	767.7	
May-78	767.8	
Jun-78	767.7	
Jul-78	767.6	
Aug-78	767.4	
Sep-78	767.3	
Oct-78	767.2	
Nov-78	767.2	
Dec-78	766.8	
Jan-79	767.4	
Mar-79	768.4	
Apr-79	768.6	
May-79	768.7	
Jun-79	768.7	
Aug-79	768.5	
Sep-79	768.3	
Oct-79	768.4	
Nov-79	768.2	
Dec-79	768.2	
Jan-80	768.5	
Feb-80	769.5	
Mar-80	770	
Nov-80	769.6	
Nov-81	769.3	
Apr-82	769.9	
Nov-82	769.1	
Apr-83	771.1	
Oct-83	771.2	
Jan-84	771.4	
Feb-84	771.5	
Mar-84	771.5	

WATER CONSERVATION – SUMMARY – GROUND WATER

GROUND WATER FLUCTUATION:

Location : San Fernando Valley, Canoga Park

Ground Surface Elevation: 788.5 ft above MSL

STATION	4709	3600H
	WS Elev.	WS Elev.
Apr-84	771.5	
May-84	771.5	
Jun-84	771.4	
Jul-84	771.2	
Aug-84	771	
Sep-84	770.8	
Oct-84	770.7	
Nov-84	770.4	
Jan-85	770.7	
Feb-85	771	
Mar-85	770.7	
Apr-85	770.7	
May-85	770.6	
Jun-85	770.5	
Jul-85	770.2	
Aug-85	770	
Sep-85	769.9	
Nov-85	769.7	
Dec-85	769.9	
Jan-86	769.9	
Mar-86	770.6	
Apr-86	770.7	
May-86	770.7	
Oct-86	769.9	
Nov-86	769.8	
Dec-86	769.7	
Jan-87	769.6	
Apr-87	769.4	
May-87	769.2	
Jun-87	768.6	
Jul-87	768.9	
Aug-87	768.7	
Sep-87	768.6	
Oct-87	768.4	
Nov-87	768.7	
Dec-87	768.7	
Jan-88	768.7	
Mar-88	768.8	

WATER CONSERVATION – SUMMARY – GROUND WATER

GROUND WATER FLUCTUATION:

Location : San Fernando Valley, Canoga Park

Ground Surface Elevation: 788.5 ft above MSL

STATION	4709	3600H
	WS Elev.	WS Elev.
May-88	768.9	
Jun-88	768.8	
Jul-88	768.6	
Aug-88	768.3	
Sep-88	768.2	
Oct-88	768.1	
Nov-88	767.8	
Dec-88	767.8	
Feb-89	766.4	
Mar-89	768	
Apr-89	768	
Sep-89	766.6	
Oct-89	766.4	
Nov-89	766.3	
Dec-89	766.3	
Apr-90	766.3	
May-90	766.1	
Jun-90	765.8	
Jul-90	765.5	
Aug-90	765.5	
Sep-90	765.2	
Oct-90	764.7	
Nov-90	764.6	
Dec-90	764.8	
Jan-91	764.8	
Feb-91	764.8	
Mar-91	764.9	
Apr-91	765.2	
May-91	765.2	
Jun-91	765	
Jul-91	764.7	
Aug-91	764.5	
Sep-91	764.3	
Oct-91	764	
Nov-91	763.8	
Dec-91	763.6	
Jan-92	764	
Feb-92	764.4	774.1

WATER CONSERVATION – SUMMARY – GROUND WATER
--

GROUND WATER FLUCTUATION:

Location : San Fernando Valley, Canoga Park

Ground Surface Elevation: 788.5 ft above MSL

STATION	4709	3600H
	WS Elev.	WS Elev.
Mar-92	765.2	774.6
Apr-92	765.3	
May-92	765.6	775.1
Jun-92	765.6	774.7
Jul-92	765.4	774.1
Aug-92	765.1	774.2
Sep-92	764.9	773.7
Oct-92	764.6	773.5
Nov-92	764.6	773.4
Dec-92	764.7	773.4
Jan-93	765.4	
Feb-93	766	776.6
Mar-93	766.8	
Apr-93	766.9	
May-93	766.8	776.1
Jun-93	766.7	775.9
Jul-93	766.5	775.3
Aug-93	766.4	774.9
Sep-93	766.4	774.7
Nov-93	766.1	774.2
Dec-93	764.7	774.2
Jan-94	766.2	774.1
Feb-94	766.3	774.2
Mar-94	766	774.1
Apr-94	765.9	
May-94	765.9	
Jun-94	765.8	
Jul-94	765.6	
Aug-94	765.6	773.9
Sep-94	765.1	773.6
Oct-94	765	773.5
Nov-94	765	773.5
Dec-94	764.9	773.3
Jan-95	765.4	773.4
Feb-95	766.1	774.6
Mar-95	766.4	774.9
Apr-95	766.7	
May-95	766.7	774.9

WATER CONSERVATION – SUMMARY – GROUND WATER

GROUND WATER FLUCTUATION:

Location : San Fernando Valley, Canoga Park

Ground Surface Elevation: 788.5 ft above MSL

STATION	4709	3600H
	WS Elev.	WS Elev.
Jun-95	766.7	774.8
Jul-95	destroyed	774.5
Sep-95		774.3
Oct-95		774
Mar-96		773.8
Apr-97		773.5
Apr-99		775.5
Oct-99		774.7
01-Mar		775.2

WATER CONSERVATION – SUMMARY – GROUND WATER

GROUND WATER FLUCTUATION:**Location : San Fernando Valley, Burbank****Ground Surface Elevation: 546.5 ft above MSL**

STATION	3872H
	WS Elev.
Jul-64	439.8
Oct-64	430.2
Nov-64	430.7
Dec-64	430
Jan-65	433
Feb-65	431.5
Mar-65	431.1
Apr-65	429.8
May-65	427.3
Jul-65	426
Aug-65	425.5
Sep-65	426.7
Oct-65	427.7
Nov-65	425.2
Dec-65	424.9
Jan-66	424.7
Feb-66	425.2
Mar-66	424.7
Apr-66	423
May-66	422
Jun-66	422
Jul-66	418.1
Aug-66	415.3
Sep-66	415.4
Oct-66	414.5
Nov-66	415.7
Dec-66	417.5
Jan-67	414.7
Feb-67	414.2
Mar-67	414.9
Apr-67	414.4

WATER CONSERVATION – SUMMARY – GROUND WATER

GROUND WATER FLUCTUATION:**Location : San Fernando Valley, Burbank****Ground Surface Elevation: 546.5 ft above MSL**

STATION	3872H
	WS Elev.
May-67	415
Jun-67	413.8
Jul-67	413.4
Aug-67	413
Sep-67	411.9
Oct-67	412.6
Nov-67	412.1
Dec-67	412.4
Jan-68	413
Feb-68	414
Mar-68	412.8
Apr-68	412.1
May-68	411.6
Jun-68	411.3
Jul-68	411.1
Aug-68	410.3
Sep-68	410.9
Oct-68	410.4
Nov-68	412.1
Dec-68	411.7
Jan-69	412.8
Feb-69	420.2
Mar-69	421.3
Apr-69	422.2
May-69	421.7
Jun-69	419.1
Jul-69	414.8
Aug-69	414.2
Sep-69	414.9
Oct-69	415.6
Nov-69	415

WATER CONSERVATION – SUMMARY – GROUND WATER

GROUND WATER FLUCTUATION:**Location : San Fernando Valley, Burbank****Ground Surface Elevation: 546.5 ft above MSL**

STATION	3872H
	WS Elev.
Dec-69	416.7
Jan-70	420.4
Feb-70	420.4
Mar-70	420.6
Apr-70	422.7
May-70	421.4
Jun-70	422.4
Jul-70	421.6
Aug-70	421.4
Sep-70	421.7
Oct-70	422
Nov-70	423.3
Dec-70	424.2
Feb-71	421.6
Mar-71	423
Apr-71	427.2
May-71	427.6
Jun-71	428
Jul-71	425.6
Aug-71	425.1
Sep-71	428.2
Oct-71	427.7
Nov-71	429.1
Jan-72	436.5
Feb-72	436.7
May-72	430.4
Jun-72	430.6
Jul-72	429.5
Aug-72	428.5
Sep-72	427.2
Oct-72	427.8

WATER CONSERVATION – SUMMARY – GROUND WATER

GROUND WATER FLUCTUATION:**Location : San Fernando Valley, Burbank****Ground Surface Elevation: 546.5 ft above MSL**

STATION	3872H
	WS Elev.
Nov-72	429.4
Dec-72	430.6
Jan-73	430.8
Feb-73	431.3
Mar-73	432.6
Apr-73	431.8
May-73	432.1
Jun-73	436.6
Aug-73	436
Sep-73	429.8
Nov-73	436.4
Jan-74	439.2
Feb-74	439.9
Mar-74	439.6
Apr-74	438.8
May-74	439.1
Jun-74	439.9
Jul-74	438.7
Aug-74	438.1
Sep-74	438.2
Oct-74	438.1
Nov-74	438.8
Dec-74	438.7
Jan-75	440.5
Feb-75	440
Mar-75	439.8
Apr-75	440.4
May-75	440.2
Jun-75	441.5
Jul-75	437.5
Sep-75	430.9

WATER CONSERVATION – SUMMARY – GROUND WATER

GROUND WATER FLUCTUATION:

Location : San Fernando Valley, Burbank

Ground Surface Elevation: 546.5 ft above MSL

STATION	3872H
	WS Elev.
Oct-75	435.9
Nov-75	437.1
Dec-75	439.5
Jan-76	440.5
Feb-76	439.7
Mar-76	439.5
Apr-76	440.1
May-76	440.7
Jun-76	440.5
Jul-76	438.3
Aug-76	439
Sep-76	438.3
Oct-76	438.8
Nov-76	438.9
Jan-77	439.5
Feb-77	439.9
Mar-77	439.6
Apr-77	439.9
May-77	438.8
Jun-77	435.8
Jul-77	435.7
Aug-77	429.4
Sep-77	427.6
Oct-77	433.7
Nov-77	434.7
Dec-77	432.2
Jan-78	435.7
Mar-78	436.8
Apr-78	437.7
May-78	439.1
Jun-78	439.2

WATER CONSERVATION – SUMMARY – GROUND WATER

GROUND WATER FLUCTUATION:

Location : San Fernando Valley, Burbank

Ground Surface Elevation: 546.5 ft above MSL

STATION	3872H
	WS Elev.
Jul-78	437.4
Aug-78	439.3
Sep-78	439.2
Oct-78	439.7
Nov-78	441.5
Dec-78	445.2
Jan-79	446.4
Feb-79	450
Mar-79	450
Apr-79	450.6
May-79	449.2
Jun-79	451.9
Jul-79	452
Aug-79	452.4
Sep-79	452.9
Oct-79	450.2
Nov-79	456.5
Jan-80	458.8
Mar-80	461.6
Apr-80	462.2
May-80	463.7
Jun-80	465.2
Jul-80	466.7
Aug-80	467
Sep-80	466.4
Oct-80	470.2
Dec-80	472.6
Jan-81	474.2
Feb-81	475.6
Mar-81	476.5
Apr-81	477.3

WATER CONSERVATION – SUMMARY – GROUND WATER

GROUND WATER FLUCTUATION:**Location : San Fernando Valley, Burbank****Ground Surface Elevation: 546.5 ft above MSL**

STATION	3872H
	WS Elev.
May-81	475.8
Jun-81	476.4
Jul-81	476.2
Aug-81	476.2
Sep-81	471.2
Oct-81	475.4
Dec-81	478.2
Jan-82	478.3
Feb-82	477.9
Mar-82	478.1
Apr-82	479.7
Jun-82	480.2
Jul-82	480.2
Sep-82	480.5
Oct-82	478.5
Nov-82	479.7
Dec-82	479.1
Feb-83	479.7
Mar-83	480.8
Apr-83	481.2
May-83	484.2
Jun-83	483.5
Jul-83	483.7
Aug-83	484
Sep-83	485.4
Oct-83	487.9
Nov-83	487.6
Dec-83	487.2
Jan-84	487.7
Feb-84	490.7
Mar-84	490

WATER CONSERVATION – SUMMARY – GROUND WATER

GROUND WATER FLUCTUATION:**Location : San Fernando Valley, Burbank****Ground Surface Elevation: 546.5 ft above MSL**

STATION	3872H
	WS Elev.
Apr-84	491.9
May-84	490.3
Jun-84	489.9
Jul-84	490.3
Aug-84	488.5
Sep-84	487.7
Oct-84	487.8
Nov-84	486
Dec-84	486.2
Jan-85	487.4
May-85	489.2
Jun-85	489
Jul-85	488.7
Aug-85	487.9
Sep-85	488.5
Oct-85	487.8
Nov-85	487.6
Dec-85	487.3
Jan-86	487.9
Feb-86	489.3
Mar-86	489.5
Apr-86	489.2
May-86	489.2
Jun-86	488.8
Jul-86	489.2
Aug-86	488.8
Sep-86	488.9
Oct-86	489.3
Nov-86	489.5
Dec-86	489.8
Jan-87	489.2

WATER CONSERVATION – SUMMARY – GROUND WATER

GROUND WATER FLUCTUATION:

Location : San Fernando Valley, Burbank

Ground Surface Elevation: 546.5 ft above MSL

STATION	3872H
	WS Elev.
Feb-87	490.4
Mar-87	490.7
Apr-87	488.9
May-87	489.5
Jun-87	491.4
Aug-87	488
Sep-87	487.1
Oct-87	486.8
Nov-87	486.2
Jan-88	485.2
Feb-88	485
Mar-88	485.4
Apr-88	483.9
May-88	483.4
Jun-88	483
Jul-88	482.1
Aug-88	481.7
Sep-88	481.1
Oct-88	480.9
Nov-88	480.4
Dec-88	480
Jan-89	479.7
Feb-89	479.4
Mar-89	478.8
Apr-89	478.5
May-89	477.8
Jun-89	477.6
Jul-89	477.3
Aug-89	476.6
Sep-89	475.9
Oct-89	475.7

WATER CONSERVATION – SUMMARY – GROUND WATER

GROUND WATER FLUCTUATION:**Location : San Fernando Valley, Burbank****Ground Surface Elevation: 546.5 ft above MSL**

STATION	3872H
	WS Elev.
Nov-89	475.9
Dec-89	475.8
Jan-90	476.1
Feb-90	476.6
Mar-90	476.9
Apr-90	476.7
May-90	476.6
Jun-90	474.5
Aug-90	473.6
Sep-90	472.8
Oct-90	473.2
Nov-90	472.8
Dec-90	473.9
Jan-91	473.5
Feb-91	473.8
May-91	472.7
Jun-91	472
Jul-91	470.8
Aug-91	471.4
Sep-91	470.6
Oct-91	470.6
Nov-91	469.6
Dec-91	469.7
Jan-92	469.8
Mar-92	469.5
Apr-92	469.5
May-92	469
Jun-92	469
Jul-92	468.4
Nov-92	463.2
Dec-92	461.6

WATER CONSERVATION – SUMMARY – GROUND WATER

GROUND WATER FLUCTUATION:**Location : San Fernando Valley, Burbank****Ground Surface Elevation: 546.5 ft above MSL**

STATION	3872H
	WS Elev.
Jul-93	473.7
Sep-93	467
Oct-93	468.4
Nov-93	467.5
Dec-93	468.1
Feb-94	479.2
Mar-94	474
Apr-94	472
May-94	480.9
Jun-94	478
Jul-94	473.5
Aug-94	473
Sep-94	473.7
Oct-94	473.7
Nov-94	472.5
Dec-94	476.7
Jan-95	473.7
Feb-95	474.3
Mar-95	474.7
Apr-95	474.5
May-95	474.6
Jun-95	475.1
Jul-95	475.2
Sep-95	475.1
Oct-95	476.6
Nov-95	485.6
Dec-95	477.3
Jan-96	476.7
Feb-96	483.4
Mar-96	484.1
Apr-96	483.3

WATER CONSERVATION – SUMMARY – GROUND WATER

GROUND WATER FLUCTUATION:**Location : San Fernando Valley, Burbank****Ground Surface Elevation: 546.5 ft above MSL**

STATION	3872H
	WS Elev.
May-96	477.2
Jun-96	475.9
Jul-96	474.9
Aug-96	474.6
Sep-96	473.4
Oct-96	482
Nov-96	475.4
Dec-96	478.2
Jan-97	483.1
Mar-97	483.1
Apr-97	483.2
May-97	474.7
Jun-97	477.6
Aug-97	478
Sep-97	471.1
Dec-97	477.6
Jan-98	478.6
Feb-98	478.6
Mar-98	479.8
Apr-98	471
May-98	470.7
Jun-98	471.3
Jul-98	472.9
Aug-98	471.2
Sep-98	475.2
Oct-98	471.6
Nov-98	471.6
Dec-98	480.5
Mar-99	480
Apr-99	479.4
May-99	472.9

WATER CONSERVATION – SUMMARY – GROUND WATER

GROUND WATER FLUCTUATION:**Location : San Fernando Valley, Burbank****Ground Surface Elevation: 546.5 ft above MSL**

STATION	3872H
	WS Elev.
Jun-99	469.9
Jul-99	466.2
Aug-99	469.7
Sep-99	463.1
Dec-99	465.3
Jan-00	468.6
Feb-00	468.2
Mar-00	467.9
May-00	457.7
Jun-00	456.5
Aug-00	464.8
Oct-00	455.5
Nov-00	454.6
Dec-00	454.9
01-Jan	454.1
01-Feb	454.5
01-Mar	463.7
01-Apr	458.8
01-Jun	463.9
01-Jul	463.7
01-Aug	463.4
01-Sep	462.7
01-Oct	462.6
01-Nov	462.4
01-Dec	462.4
02-Jan	462.9
02-Feb	463.1
02-Mar	462.9
02-Apr	462.6
02-Jul	461.4
02-Sep	460.6

WATER CONSERVATION – SUMMARY – GROUND WATER

GROUND WATER FLUCTUATION:**Location : San Fernando Valley, Burbank****Ground Surface Elevation: 546.5 ft above MSL**

STATION	3872H
	WS Elev.
02-Oct	460.4
02-Dec	460
03-Jan	459.5
03-Mar	459.9
03-Apr	459.5
03-May	459.2
03-Jun	458.9
03-Jul	458.8
03-Aug	458.3
03-Sep	457.8
03-Oct	457.2
03-Nov	456.8
03-Dec	456.8
04-Jan	456.3
04-Feb	455.4
04-Mar	455.7
04-Apr	455.9
04-May	455.3
04-Jul	454.8
04-Sep	453.3
04-Oct	453.6
04-Nov	452.8
04-Dec	453.3
05-Mar	454.1
05-Apr	455.7
05-May	454.8
05-Jun	448.7
05-Aug	458.7
05-Sep	460.4

WATER CONSERVATION – SUMMARY – GROUND WATER
--

GROUND WATER FLUCTUATION:**Location: Raymond Basin****Ground Surface Elevation: 749.9 ft above MSL**

STATION	4057H
	WS Elev.
Jan-52	639.3
Feb-52	642.1
Aug-52	642.3
Sep-52	641.1
Oct-52	640.5
Nov-52	640.1
Dec-52	640.2
Jan-53	641.1
Feb-53	640.1
Mar-53	640.6
Apr-53	641.3
May-53	641.4
Jun-53	641.5
Jul-53	640.2
Aug-53	640.2
Sep-53	640.3
Oct-53	639.4
Nov-53	636.9
Dec-53	639.5
Jan-54	641.9
Mar-54	640.4
Apr-54	639.5
May-54	640.7
Jun-54	637.7
Jul-54	640.4
Aug-54	640.5
Sep-54	638
Oct-54	640.3
Nov-54	640.3
Dec-54	641
Jan-55	638.2

WATER CONSERVATION – SUMMARY – GROUND WATER
--

GROUND WATER FLUCTUATION:**Location: Raymond Basin****Ground Surface Elevation: 749.9 ft above MSL**

STATION	4057H
	WS Elev.
Feb-55	642.3
Mar-55	642
Apr-55	643
May-55	641.1
Jun-55	643.9
Jul-55	644.5
Aug-55	643.8
Sep-55	642.2
Oct-55	644.1
Nov-55	643.4
Dec-55	642.9
Jan-56	644.9
Feb-56	645.1
Mar-56	643.5
Apr-56	642.6
May-56	640.2
Jun-56	640.9
Jul-56	642
Aug-56	640.6
Sep-56	639.9
Oct-56	639.5
Nov-56	638.7
Dec-56	638.1
Jan-57	637.9
Feb-57	637.3
Mar-57	637
Apr-57	636.9
May-57	636.4
Jun-57	637.3
Jul-57	640
Aug-57	637.3

WATER CONSERVATION – SUMMARY – GROUND WATER
--

GROUND WATER FLUCTUATION:**Location: Raymond Basin****Ground Surface Elevation: 749.9 ft above MSL**

STATION	4057H
	WS Elev.
Sep-57	635.9
Oct-57	635.1
Nov-57	637.8
Dec-57	638.7
Jan-58	638.7
Feb-58	638.7
Mar-58	636.8
Apr-58	638
May-58	635
Jun-58	633.9
Jul-58	636.1
Aug-58	637
Sep-58	636.4
Oct-58	636.4
Nov-58	635.9
Dec-58	635.7
Jan-59	635.2
Feb-59	635
Mar-59	634.7
Apr-59	634.2
May-59	634
Jun-59	632.8
Jul-59	633
Aug-59	630.8
Sep-59	632.1
Oct-59	631.9
Nov-59	631.3
Dec-59	631.1
Jan-60	630.7
Feb-60	630.4
Mar-60	630.1

WATER CONSERVATION – SUMMARY – GROUND WATER
--

GROUND WATER FLUCTUATION:**Location: Raymond Basin****Ground Surface Elevation: 749.9 ft above MSL**

STATION	4057H
	WS Elev.
Apr-60	629.8
May-60	629.7
Jun-60	629.6
Jul-60	629.3
Aug-60	629.1
Sep-60	626.1
Oct-60	616.1
Nov-60	628
Dec-60	627.7
Jan-61	626.7
Feb-61	627.4
Mar-61	626.7
Apr-61	626.6
May-61	625.8
Jun-61	625.7
Jul-61	625.4
Aug-61	624.9
Sep-61	624.3
Oct-61	623.9
Nov-61	622.4
Dec-61	622.4
Jan-62	622.7
Feb-62	622.6
Mar-62	622.2
Apr-62	619.3
May-62	618.4
Jun-62	616.2
Jul-62	618.4
Aug-62	618.6
Sep-62	618.5
Oct-62	618.4

WATER CONSERVATION – SUMMARY – GROUND WATER
--

GROUND WATER FLUCTUATION:**Location: Raymond Basin****Ground Surface Elevation: 749.9 ft above MSL**

STATION	4057H
	WS Elev.
Nov-62	617.9
Dec-62	617.7
Jan-63	617.2
Feb-63	616.7
Mar-63	616.5
Apr-63	616
May-63	614.1
Jun-63	614.5
Jul-63	614.8
Aug-63	614.1
Sep-63	613.6
Oct-63	610.8
Nov-63	611.7
Dec-63	612.1
Jan-64	611.3
Feb-64	610.9
Mar-64	610.9
Apr-64	610.3
May-64	609.9
Jun-64	608.9
Jul-64	608.9
Aug-64	607.8
Sep-64	607.9
Oct-64	607.7
Nov-64	607.3
Dec-64	606.2
Jan-65	606.2
Feb-65	606
Mar-65	605.6
Apr-65	605.4
May-65	605.2

WATER CONSERVATION – SUMMARY – GROUND WATER
--

GROUND WATER FLUCTUATION:**Location: Raymond Basin****Ground Surface Elevation: 749.9 ft above MSL**

STATION	4057H
	WS Elev.
Jun-65	604.9
Jul-65	604.7
Aug-65	604.4
Sep-65	604.1
Oct-65	603.7
Nov-65	603.3
Dec-65	602.9
Jan-66	602.4
Feb-66	602.2
Mar-66	601.8
Apr-66	601.4
May-66	598.3
Jun-66	600.8
Jul-66	596.9
Aug-66	593.9
Sep-66	591.8
Oct-66	591
Nov-66	590.2
Dec-66	588.8
Jan-67	587.8
Feb-67	587
Mar-67	586.6
Apr-67	585.9
May-67	585.4
Jun-67	584.9
Jul-67	583.2
Aug-67	584.5
Sep-67	584.1
Oct-67	583.7
Nov-67	583.6
Dec-67	583.3

WATER CONSERVATION – SUMMARY – GROUND WATER
--

GROUND WATER FLUCTUATION:**Location: Raymond Basin****Ground Surface Elevation: 749.9 ft above MSL**

STATION	4057H
	WS Elev.
Jan-68	582.9
Feb-68	582.5
Mar-68	582.7
Apr-68	582.7
May-68	582.1
Jun-68	581.6
Jul-68	581.4
Aug-68	581.9
Sep-68	581.4
Oct-68	581.3
Nov-68	581.5
Dec-68	581.1
Jan-69	580.4
Feb-69	581.3
Mar-69	581.4
Apr-69	581.1
May-69	581.3
Jun-69	581.6
Jul-69	578.9
Aug-69	578.5
Sep-69	584.1
Oct-69	584.5
Nov-69	585.2
Dec-69	585.9
Jan-70	586.5
Feb-70	586.9
Mar-70	587.4
Apr-70	587.7
May-70	588.2
Jun-70	588.3
Jul-70	588.6

WATER CONSERVATION – SUMMARY – GROUND WATER
--

GROUND WATER FLUCTUATION:**Location: Raymond Basin****Ground Surface Elevation: 749.9 ft above MSL**

STATION	4057H
	WS Elev.
Aug-70	588
Sep-70	587.9
Oct-70	589.9
Nov-70	590.3
Dec-70	591.7
Jan-71	590.9
Feb-71	591.4
Mar-71	591.3
Apr-71	592.1
May-71	592.9
Jun-71	593.4
Jul-71	592.9
Aug-71	594.5
Sep-71	595.1
Oct-71	591.5
Nov-71	595.9
Dec-71	596.1
Jan-72	596.4
Feb-72	596.8
Mar-72	596.9
Apr-72	596.6
May-72	596.1
Jun-72	596.8
Jul-72	597.3
Aug-72	597.4
Sep-72	597.7
Oct-72	598.1
Nov-72	598.6
Dec-72	598.7
Jan-73	598.9
Feb-73	599.1

WATER CONSERVATION – SUMMARY – GROUND WATER
--

GROUND WATER FLUCTUATION:**Location: Raymond Basin****Ground Surface Elevation: 749.9 ft above MSL**

STATION	4057H
	WS Elev.
Mar-73	599.2
Apr-73	599.6
May-73	599.7
Jun-73	595.9
Jul-73	600.2
Aug-73	600.6
Sep-73	600.8
Oct-73	600.8
Nov-73	601.3
Dec-73	601.6
Jan-74	602
Feb-74	602.3
Mar-74	601.1
Apr-74	602.7
May-74	604.2
Jun-74	603.2
Jul-74	603.4
Aug-74	604.3
Sep-74	604.4
Oct-74	604.9
Nov-74	604.8
Dec-74	599.7
Jan-75	604.2
Feb-75	604
Mar-75	604.7
Apr-75	605.6
May-75	604
Jun-75	603.6
Jul-75	605.1
Aug-75	603.3
Sep-75	603.2

WATER CONSERVATION – SUMMARY – GROUND WATER

GROUND WATER FLUCTUATION:**Location: Raymond Basin****Ground Surface Elevation: 749.9 ft above MSL**

STATION	4057H
	WS Elev.
Oct-75	604.8
Nov-75	603.8
Dec-75	602.8
Jan-76	602.3
Feb-76	602.5
Mar-76	602
Apr-76	601.9
May-76	601.6
Jun-76	601.6
Jul-76	601.4
Aug-76	601.3
Sep-76	601.5
Oct-76	601.6
Nov-76	601.2
Dec-76	601.2
Jan-77	601
Feb-77	600.9
Mar-77	600.9
Apr-77	600.8
May-77	600.6
Jun-77	604.4
Jul-77	600.3
Aug-77	599.4
Sep-77	599.9
Oct-77	609.7
Nov-77	599
Dec-77	599
Jan-78	597.1
Feb-78	598.1
Mar-78	597.9
May-78	597.6

WATER CONSERVATION – SUMMARY – GROUND WATER
--

GROUND WATER FLUCTUATION:**Location: Raymond Basin****Ground Surface Elevation: 749.9 ft above MSL**

STATION	4057H
	WS Elev.
Jun-78	597.5
Aug-78	597.9
Sep-78	598.8
Oct-78	597.9
Dec-78	598
Mar-79	598.2
Jul-79	598.2
Oct-79	598.4
Dec-79	598.7
Apr-80	598
Aug-80	597.8
Nov-80	597.3
Jan-81	597.1
Mar-81	597.1
Apr-81	598.9
May-81	597
Jun-81	597.1
Aug-81	597.3
Sep-81	597.6
Nov-81	597.9
Feb-82	598.4
Apr-82	600.9
May-82	598.9
Jun-82	598.7
Jul-82	598.9
Aug-82	590
Sep-82	588.3
Oct-82	598.9
Nov-82	602.9
Dec-82	591.9
Jan-83	592.6

WATER CONSERVATION – SUMMARY – GROUND WATER
--

GROUND WATER FLUCTUATION:**Location: Raymond Basin****Ground Surface Elevation: 749.9 ft above MSL**

STATION	4057H
	WS Elev.
Feb-83	598.4
Mar-83	598
Apr-83	597.8
May-83	597.7
Jun-83	597.4
Jul-83	597.4
Aug-83	597.4
Sep-83	597.6
Oct-83	597.5
Nov-83	597.2
Dec-83	597.5
Jan-84	597.6
Feb-84	597.3
Mar-84	597.3
Apr-84	597.3
May-84	597.3
Jun-84	596.9
Jul-84	597.4
Aug-84	595.9
Sep-84	596.1
Oct-84	599
Nov-84	595.9
Dec-84	591.4
Jan-85	596.4
Feb-85	595.9
Mar-85	596.4
Apr-85	598
May-85	596.4
Jun-85	595.9
Jul-85	596.9
Aug-85	596.1

WATER CONSERVATION – SUMMARY – GROUND WATER
--

GROUND WATER FLUCTUATION:**Location: Raymond Basin****Ground Surface Elevation: 749.9 ft above MSL**

STATION	4057H
	WS Elev.
Sep-85	595.9
Oct-85	593.9
Dec-85	597.4
Jan-86	597.4
Mar-86	596.4
Apr-86	592.9
May-86	615.4
Jun-86	596.9
Jul-86	596.9
Aug-86	593.4
Sep-86	603.9
Oct-86	593.4
Nov-86	597.4
Dec-86	579
Jan-87	592.4
Feb-87	594.9
Mar-87	594.9
Apr-87	585.3
May-87	597.1
Jun-87	597.2
Jul-87	590.4
Aug-87	596
Sep-87	595.9
Oct-87	595.2
Nov-87	594.7
Dec-87	594.5
Jan-88	593.9
Feb-88	593.3
Mar-88	592.8
Apr-88	592.6
May-88	592.3

WATER CONSERVATION – SUMMARY – GROUND WATER

GROUND WATER FLUCTUATION:**Location: Raymond Basin****Ground Surface Elevation: 749.9 ft above MSL**

STATION	4057H
	WS Elev.
Jun-88	591.8
Jul-88	591.7
Aug-88	591.5
Sep-88	591.2
Oct-88	590.9
Nov-88	590.8
Dec-88	590.4
Jan-89	590.1
Feb-89	589.8
Mar-89	589.3
Apr-89	589.1
May-89	589
Jun-89	588.8
Jul-89	588.4
Aug-89	588.2
Sep-89	587.9
Oct-89	583.2
Nov-89	587.2
Dec-89	587.1
Jan-90	586.7
Feb-90	586.4
Mar-90	586.4
Apr-90	582.4
May-90	586
Jun-90	584
Jul-90	585.9
Aug-90	580.6
Sep-90	585.8
Oct-90	585.8
Nov-90	585.8
Dec-90	585.8

WATER CONSERVATION – SUMMARY – GROUND WATER
--

GROUND WATER FLUCTUATION:**Location: Raymond Basin****Ground Surface Elevation: 749.9 ft above MSL**

STATION	4057H
	WS Elev.
Jan-91	585.8
Feb-91	585.9
Apr-91	581.2
May-91	586.3
Jun-91	586.5
Jul-91	586.8
Aug-91	574.8
Sep-91	587.9
Oct-91	586.7
Nov-91	586.6
Dec-91	586.6
Jan-92	586.6
Mar-92	586.7
Apr-92	586.8
May-92	587.1
Jun-92	587.1
Jul-92	581.6
Aug-92	577
Sep-92	570
Oct-92	589
Nov-92	589
Dec-92	589
Feb-93	579.9
Mar-93	584.1
Apr-93	577.7
May-93	573.7
Jun-93	569.9
Aug-93	572.7
Sep-93	594.4
Oct-93	576.4
Nov-93	585.6

WATER CONSERVATION – SUMMARY – GROUND WATER
--

GROUND WATER FLUCTUATION:**Location: Raymond Basin****Ground Surface Elevation: 749.9 ft above MSL**

STATION	4057H
	WS Elev.
Dec-93	577.2
Jan-94	598.4
Feb-94	597.9
Mar-94	598.4
Apr-94	598.4
May-94	600.1
Jun-94	600.9
Jul-94	601.9
Aug-94	602.4
Sep-94	603.2
Oct-94	604
Nov-94	604.9
Dec-94	608.4
Jan-95	609.2
Feb-95	609.7
Mar-95	609.9
Apr-95	583.2
May-95	611.1
Jun-95	611.9
Jul-95	612.4
Aug-95	612.7
Sep-95	613.2
Oct-95	613.2
Dec-95	613.7
Jan-96	613.9
Feb-96	614.2
Mar-96	614.4
Apr-96	614.5
May-96	614.8
Jun-96	615
Jul-96	615.1

WATER CONSERVATION – SUMMARY – GROUND WATER
--

GROUND WATER FLUCTUATION:**Location: Raymond Basin****Ground Surface Elevation: 749.9 ft above MSL**

STATION	4057H
	WS Elev.
Aug-96	616.2
Sep-96	615.1
Oct-96	614.7
Nov-96	614.8
Dec-96	614.4
Jan-97	614.5
Feb-97	614.6
Mar-97	614.5
Apr-97	614.8
May-97	614.9
Jun-97	615.1
Jul-97	613.7
Aug-97	615.2
Sep-97	615.1
Dec-97	614.9
Jan-98	614.7
Feb-98	614.8
Mar-98	614.9
May-98	615.2
Jun-98	615.4
Jul-98	615.5
Aug-98	615.4
Sep-98	615.1
Oct-98	614.7
Nov-98	614.4
Dec-98	614.1
Jan-99	613.8
Feb-99	613.4
Mar-99	613.5
Apr-99	613.5
May-99	613.1

WATER CONSERVATION – SUMMARY – GROUND WATER
--

GROUND WATER FLUCTUATION:**Location: Raymond Basin****Ground Surface Elevation: 749.9 ft above MSL**

STATION	4057H
	WS Elev.
Jun-99	613.1
Jul-99	612.9
Aug-99	612.8
Sep-99	612.9
01-Jan	613.4
01-Feb	613.6
01-Mar	613.9
01-Apr	613.9
01-Jun	615.5
01-Jul	686.7
01-Aug	615.3
01-Sep	615.5
01-Oct	615.3
01-Dec	615.6
02-Jan	615.6
02-Feb	615.6
02-Mar	616
02-Apr	616.1
02-May	664.9
02-Jul	617.4
02-Sep	618.6
02-Dec	620.4
03-Jan	620.7
03-Feb	629.8
03-Apr	622.7
03-May	623.5
03-Jun	623.9
03-Jul	624.5
03-Aug	622.3
03-Sep	625.8
03-Oct	626

WATER CONSERVATION – SUMMARY – GROUND WATER**GROUND WATER FLUCTUATION:****Location: Raymond Basin****Ground Surface Elevation: 749.9 ft above MSL**

STATION	4057H
	WS Elev.
03-Nov	626.5
03-Dec	621.1
04-Apr	629
04-May	629.3

WATER CONSERVATION – SUMMARY – GROUND WATER

GROUND WATER FLUCTUATION:

Location: San Gabriel Canyon Basin, North of Azusa

Ground Surface Elevation: 658.8 ft above MSL

STATION	4284A	4285
	WS Elev.	WS Elev.
Jan-64	602.1	597.9
Feb-64	611.9	610.5
Mar-64	616.9	608.4
Apr-64	619.8	616
May-64	631.3	630.7
Jun-64	623.1	617.6
Jul-64	611.4	605
Aug-64	606.3	602.7
Sep-64	606.7	605.9
Oct-64	614.6	613.1
Nov-64	613.3	606.9
Dec-64	612.4	599
Jan-65	613.7	610.3
Feb-65	611.7	606.2
Mar-65	593.6	583.8
Apr-65	591.9	575.7
May-65	642.7	633.3
Jun-65	653.1	635.3
Jul-65	651.9	639.5
Aug-65	653.1	639.3
Sep-65	654.7	638.4
Oct-65	652.2	641.6
Nov-65	656.1	632.8
Dec-65	662.8	638.1
Jan-66	665	650.7
Feb-66	659.8	654.8
Mar-66	665.7	647.1
Apr-66	644.4	639.9
May-66	644.4	634.1
Jun-66		623.8
Jul-66	631.8	621.9

WATER CONSERVATION – SUMMARY – GROUND WATER

GROUND WATER FLUCTUATION:**Location: San Gabriel Canyon Basin, North of Azusa****Ground Surface Elevation: 658.8 ft above MSL**

STATION	4284A	4285
	WS Elev.	WS Elev.
Aug-66	630.1	
Sep-66	629.7	
Oct-66	639	
Nov-66	639.8	
Dec-66	639.2	651.3
Jan-67	658.9	648.9
Feb-67	671.4	657.3
Mar-67	660.7	645.1
Apr-67	660.9	643.5
May-67	653.4	645.4
Jun-67	651.3	639.7
Jul-67	644.6	634.1
Aug-67	644.6	617.3
Sep-67	619.7	597.9
Oct-67	622.3	617.5
Nov-67	642	627.1
Dec-67	632.3	632.1
Jan-68	654.9	648.4
Feb-68	644.4	642.4
Mar-68	642.7	639.9
Apr-68	651	644.1
May-68	635.7	632.1
Jun-68	626.5	620.6
Jul-68	624.6	620.3
Aug-68	639.7	618.9
Sep-68	606.4	602.5
Oct-68	601.6	
Nov-68	629.6	594
Dec-68	582.9	573.5
Jan-69	599.2	578.5
Feb-69	642.2	620.1

WATER CONSERVATION – SUMMARY – GROUND WATER

GROUND WATER FLUCTUATION:

Location: San Gabriel Canyon Basin, North of Azusa

Ground Surface Elevation: 658.8 ft above MSL

STATION	4284A	4285
	WS Elev.	WS Elev.
Mar-69	652.7	638
Apr-69	649.3	631.6
May-69	656.9	644
Jun-69	662.6	653
Jul-69	659.8	647.1
Aug-69	652.3	650.1
Sep-69	631.3	638.3
Oct-69	631.3	629.6
Nov-69	631.9	625.7
Dec-69	649.2	641.5
Jan-70	656.6	647.5
Feb-70	649.7	639.5
Mar-70	645	641.9
Apr-70	663.5	649.3
May-70	642.8	644.3
Jun-70	641.3	631.1
Jul-70	630.8	617.5
Aug-70	622.6	595.5
Sep-70	611.6	597.8
Oct-70	609.2	595.5
Nov-70	611.1	594.2
Dec-70	611.8	612
Jan-71	661.5	647.7
Feb-71	664	650.7
Mar-71	662.9	647.6
Apr-71	648.4	642.7
May-71	652.9	626.5
Jun-71	619.4	605.6
Jul-71	606.4	589.2
Aug-71	598	578.3
Sep-71	595.9	572.9

WATER CONSERVATION – SUMMARY – GROUND WATER

GROUND WATER FLUCTUATION:

Location: San Gabriel Canyon Basin, North of Azusa

Ground Surface Elevation: 658.8 ft above MSL

STATION	4284A	4285
	WS Elev.	WS Elev.
Oct-71	597.3	575.9
Nov-71	593.4	577.7
Dec-71	586.6	566.3
Jan-72	600.9	571.6
Feb-72	654.4	644.9
Mar-72	647.9	645.4
Apr-72	630	622.7
May-72	605	594.7
Jun-72	596.4	582.3
Jul-72	574.6	558.4
Aug-72	558.2	547.5
Sep-72	556.2	548.9
Oct-72	553.9	537.9
Nov-72	555.4	525.3
Dec-72	627.5	599.6
Jan-73	621.3	
Feb-73	639.3	605.1
Mar-73	664	646.3
Apr-73	664.1	649.8
May-73	661.2	651.3
Jun-73	643.4	645.7
Jul-73	642.4	626.8
Aug-73	642.2	622
Sep-73	633.4	617.7
Oct-73	629.9	611.6
Nov-73	635.9	619.4
Dec-73	653.2	637.2
Jan-74	660.7	639.2
Feb-74		649.1
Mar-74	656.2	630.1
Apr-74		642.1

WATER CONSERVATION – SUMMARY – GROUND WATER
--

GROUND WATER FLUCTUATION:

Location: San Gabriel Canyon Basin, North of Azusa

Ground Surface Elevation: 658.8 ft above MSL

STATION	4284A	4285
	WS Elev.	WS Elev.
May-74	653.2	642.4
Jun-74		631.4
Jul-74		635.3
Aug-74	642.2	631.1
Sep-74	639.1	622.9
Oct-74	636.7	622.8
Nov-74	626.1	626
Dec-74		608.5
Jan-75	614.2	601.4
Feb-75	611.9	597
Mar-75	622.2	614.7
Apr-75	629.7	637.6
May-75	660.2	636.4
Jun-75	658.9	632.6
Jul-75	639.9	627.7
Aug-75	629.2	617
Sep-75	629.2	605.9
Oct-75	631	608.8
Nov-75		616.3
Dec-75	620.1	593
Jan-76	619.7	580
Feb-76	602.6	576.3
Mar-76	635.1	601.4
Apr-76	649.3	643
May-76	630.7	614.7
Jun-76	608.5	601.7
Jul-76	607.9	595.8
Aug-76	608.9	596.8
Sep-76	605.6	590.5
Oct-76	638.3	600.8
Nov-76		617.3

WATER CONSERVATION – SUMMARY – GROUND WATER

GROUND WATER FLUCTUATION:

Location: San Gabriel Canyon Basin, North of Azusa

Ground Surface Elevation: 658.8 ft above MSL

STATION	4284A	4285
	WS Elev.	WS Elev.
Dec-76	600.7	601.4
Jan-77	608.1	579.7
Feb-77	647.7	629
Mar-77	607	598.6
Apr-77	595.2	584.9
May-77	592.4	585.1
Jun-77	597.1	584.5
Jul-77	598.3	582.4
Aug-77	593.1	578.8
Sep-77	596.9	575.9
Oct-77	600.3	582.6
Nov-77	598.1	579.4
Dec-77	632.3	588.6
Jan-78	639.4	628.3
Feb-78	656.6	643.2
Mar-78	666	646.5
Apr-78	659	642.8
May-78	654.5	648
Jun-78	654.5	642.5
Jul-78	650.4	636.7
Aug-78	641.8	634.7
Sep-78	642.8	619.1
Oct-78	639	625.3
Nov-78	628	619
Dec-78	632.7	616.1
Jan-79	644.3	640.2
Feb-79	651.1	641.9
Mar-79	647.9	637.1
Apr-79	649	639.1
May-79	646.2	627
Jun-79	642.1	

WATER CONSERVATION – SUMMARY – GROUND WATER

GROUND WATER FLUCTUATION:**Location: San Gabriel Canyon Basin, North of Azusa****Ground Surface Elevation: 658.8 ft above MSL**

STATION	4284A	4285
	WS Elev.	WS Elev.
Jul-79	637.7	625.9
Aug-79	631.1	
Sep-79	622.4	611
Oct-79	624.8	
Nov-79	621.9	610.1
Dec-79	628.9	610.1
Jan-80	615.4	
Feb-80	628.5	612.3
Mar-80	648.5	634.6
Apr-80	651.8	637.2
May-80	652.2	644.5
Jun-80	650.6	637.2
Jul-80	649.1	628.3
Aug-80	641.2	630.3
Sep-80	640.6	619.8
Oct-80	643.6	620.1
Nov-80	664	625.7
Dec-80	637.5	623.3
Jan-81	631.8	622.1
Feb-81	624.8	607.4
Mar-81	623.9	608.1
Apr-81	638	606.4
May-81	615	590
Jun-81	607.2	575.9
Jul-81	584.5	556.9
Aug-81	578.3	555
Sep-81	584.2	555.6
Oct-81	582.4	566.2
Nov-81	598.3	577.6
Dec-81	606	594.1
Jan-82	623.7	610.1

WATER CONSERVATION – SUMMARY – GROUND WATER

GROUND WATER FLUCTUATION:

Location: San Gabriel Canyon Basin, North of Azusa

Ground Surface Elevation: 658.8 ft above MSL

STATION	4284A	4285
	WS Elev.	WS Elev.
Feb-82	630.7	620.1
Mar-82	636.4	625.8
Apr-82	637.3	620.3
May-82	635.9	608.7
Jun-82	626.4	613.4
Jul-82	636.5	606.4
Aug-82	620.5	596.7
Sep-82	617.1	604.2
Oct-82	628	620.2
Nov-82	637	622
Dec-82	639.6	632
Jan-83	636	628.4
Feb-83	647.2	629.7
Mar-83	652.4	640.4
Apr-83	652.3	640.2
May-83	651.6	641.4
Jun-83	651.3	634.5
Jul-83	647.8	631.6
Aug-83	641	622.3
Sep-83	630.6	613.5
Oct-83	631.7	615.3
Nov-83	646.6	631.7
Dec-83	645.2	632.9
Jan-84	643.3	628.8
Feb-84	642.9	636
Mar-84	639.8	626.4
Apr-84	626.4	621.3
May-84	617.7	
Jun-84	600.8	589.9
Jul-84	596.5	
Aug-84	579.9	572.3

WATER CONSERVATION – SUMMARY – GROUND WATER

GROUND WATER FLUCTUATION:**Location: San Gabriel Canyon Basin, North of Azusa****Ground Surface Elevation: 658.8 ft above MSL**

STATION	4284A	4285
	WS Elev.	WS Elev.
Sep-84	572	567.3
Oct-84		563.3
Nov-84	573.4	562
Dec-84	570	558.5
Jan-85	609.4	565.7
Feb-85	642.8	627.6
Mar-85		622.3
Apr-85	597	
Jun-85	618.7	
Jul-85	612.3	599.6
Aug-85	594	573.8
Sep-85	588.3	
Oct-85	621	571.8
Nov-85	629.2	619.6
Dec-85	643.7	623.5
Jan-86	647.7	630.8
Feb-86	651.3	634.9
Mar-86	648.3	638.4
Apr-86	645.7	637.9
May-86	646.6	635.3
Jun-86	639.4	625.7
Jul-86	623.3	606.3
Aug-86	616.9	599.9
Sep-86	598.5	
Oct-86	587.4	605.3
Nov-86	594	585.8
Dec-86	610.6	599.9
Jan-87	626.3	608.1
Feb-87	635.2	630.4
Mar-87	651	629.2
Apr-87	647.9	632.2

WATER CONSERVATION – SUMMARY – GROUND WATER

GROUND WATER FLUCTUATION:

Location: San Gabriel Canyon Basin, North of Azusa

Ground Surface Elevation: 658.8 ft above MSL

STATION	4284A	4285
	WS Elev.	WS Elev.
May-87	636.4	
Jun-87	610.5	592.6
Jul-87	597.1	583
Aug-87	580.8	570.8
Sep-87	574	559.7
Oct-87	608	552.3
Nov-87	600.1	553.4
Dec-87	610.8	593.8
Jan-88	627.4	624.2
Feb-88	640	632.9
Mar-88	641.3	638.2
Apr-88	635.2	625.9
May-88	632.5	
Jun-88	641.6	
Aug-88	611.8	
Sep-88	605.6	
Oct-88	619	
Nov-88	612.4	605.1
Dec-88	616.3	
Jan-89	640.8	
May-89	653	
Aug-89	646.2	
Sep-89	644.9	
Oct-89	601	
Mar-90		620.1
Apr-90	650	
Oct-90	631	
Apr-91	643	636.6
May-91	636	
Jun-91	623	
Jul-91	629	

WATER CONSERVATION – SUMMARY – GROUND WATER

GROUND WATER FLUCTUATION:

Location: San Gabriel Canyon Basin, North of Azusa

Ground Surface Elevation: 658.8 ft above MSL

STATION	4284A	4285
	WS Elev.	WS Elev.
Aug-91	637	
Sep-91	641	629.4
Oct-91	635	
Nov-91	624	
Dec-91	616	
Jan-92	619	
Feb-92	630	
Mar-92	642	619.3
Apr-92	650	599.1
Oct-92	629	
Nov-92		606.1
Mar-93		634.5
Apr-93	647	633.3
Oct-93	619	
May-94	591	
Nov-94	592.9	
May-95	591	
Nov-99	607	
May-00	646	
01-Mar	621	
01-Dec	631	
Nov-03	643.0	
May-04	612.0	

WATER CONSERVATION – SUMMARY – GROUND WATER

GROUND WATER FLUCTUATION:**Location: Upper Claremont Heights****Ground Surface Elevation: 1482.0 ft above MSL**

STATION	4508B	4508A
	WS Elev.	WS Elev.
Jan-60	1328.5	
Feb-60	1329.9	
Mar-60	1329	
Apr-60	1318.5	
May-60	1323.5	
Jun-60	1307.6	
Jul-60	1302.3	
Aug-60	1298.2	
Sep-60	1290.5	
Oct-60	1295.9	
Nov-60	1284.4	
Dec-60	1298.8	
Jan-61	1289.7	
Feb-61	1294.9	
Mar-61	1285.6	
Apr-61	1276.5	
May-61	1279	
Jun-61	1276	
Jul-61	1273.3	
Aug-61	1271	
Sep-61	1268	
Oct-61	1265.6	
Nov-61	1263.4	
Dec-61	1265.4	
Jan-62	1265.6	
Feb-62	1268.6	
Mar-62	1270.2	
Apr-62	1269.1	
May-62	1269.5	
Jun-62	1266.8	
Dec-62	1258.2	

WATER CONSERVATION – SUMMARY – GROUND WATER

GROUND WATER FLUCTUATION:**Location: Upper Claremont Heights****Ground Surface Elevation: 1482.0 ft above MSL**

STATION	4508B	4508A
	WS Elev.	WS Elev.
Jan-63	1259.4	
Feb-63	1262.7	
Mar-63	1265.4	
Apr-63	1268.6	
May-63	1271.7	
Jun-63	1267.2	
Jul-63	1264.1	
Aug-63	1262.2	
Sep-63	1261.1	
Oct-63	1261	
Nov-63	1260.3	
Dec-63	1262.5	
Jan-64	1261.9	
Feb-64	1263.7	
Mar-64	1262.3	
Apr-64	1263.5	
May-64	1261.9	
Jun-64	1258.8	
Aug-64	1253.2	
Sep-64	1251.9	
Oct-64	1250.3	
Nov-64	1248.2	
Dec-64	1248.6	
Jan-65	1246.9	
Feb-65	1250.8	
Mar-65	1251	
Apr-65	1251.9	
May-65	1251.9	
Jun-65	1252.1	
Jul-65	1250	
Aug-65	1247.4	

WATER CONSERVATION – SUMMARY – GROUND WATER

GROUND WATER FLUCTUATION:**Location: Upper Claremont Heights****Ground Surface Elevation: 1482.0 ft above MSL**

STATION	4508B	4508A
	WS Elev.	WS Elev.
Sep-65	1246.1	
Oct-65	1244.3	
Nov-65	1247	
Dec-65	1244.8	
Jan-66	1245	
Feb-66	1247.6	
Mar-66	1253.1	
Apr-66	1288.3	
May-66	1320.4	
Jun-66	1338	
Jul-66	1351.7	
Aug-66	1355.8	
Sep-66	1357.7	
Oct-66	1350.8	
Nov-66	1348	
Dec-66	1346.9	
Jan-67	1349	
Feb-67	1355.3	
Mar-67	1363.2	
Apr-67	1371.1	
May-67	1381.4	
Jun-67	1386.3	
Jul-67	1401	
Aug-67	1404.1	
Sep-67	1402.2	
Oct-67	1395.8	
Nov-67	1391.8	
Dec-67	1387.6	
Jan-68	1385.4	
Feb-68	1382.5	
Mar-68	1380.2	

WATER CONSERVATION – SUMMARY – GROUND WATER

GROUND WATER FLUCTUATION:**Location: Upper Claremont Heights****Ground Surface Elevation: 1482.0 ft above MSL**

STATION	4508B	4508A
	WS Elev.	WS Elev.
Apr-68	1377.9	
May-68	1372	
Jun-68	1373.3	
Jul-68	1363.2	
Aug-68	1358.3	
Sep-68	1352.3	
Oct-68	1346.9	
Nov-68	1342.8	
Dec-68	1339.8	
Jan-69	1339.7	
Mar-69	1341.8	
Apr-69	1373.1	
May-69	1424.9	
Jun-69	1454.9	
Jul-69	1447.4	
Aug-69	1444.5	
Sep-69	1431.4	
Oct-69	1422.2	
Nov-69	1411.4	
Dec-69	1405.7	
Jan-70	1399.1	
Feb-70	1395.2	
Mar-70	1391	
Apr-70	1388.4	
May-70	1383.2	
Jun-70	1378.2	
Jul-70	1376	
Aug-70	1378.1	
Sep-70	1363.1	
Oct-70	1359.8	
Nov-70	1354.1	

WATER CONSERVATION – SUMMARY – GROUND WATER

GROUND WATER FLUCTUATION:**Location: Upper Claremont Heights****Ground Surface Elevation: 1482.0 ft above MSL**

STATION	4508B	4508A
	WS Elev.	WS Elev.
Dec-70	1351.2	
Jan-71	1352	
Feb-71	1352.1	
Mar-71	1352	
Apr-71	1349.8	
May-71	1337	
Jun-71	1330.1	
Jul-71	1325.3	
Aug-71	1326.6	
Sep-71	1312.1	
Oct-71	1310.5	
Nov-71	1319.6	
Dec-71	1318.8	
Jan-72	1319.3	
Feb-72	1319.6	
Mar-72	1314.7	
Apr-72	1299.8	
May-72	1311	
Jun-72	1297.7	
Jul-72	1292.4	
Aug-72	1290.1	
Sep-72	1287.3	
Oct-72	1287.6	
Nov-72	1286.5	
Dec-72	1296.1	
Jan-73	1298.2	
Feb-73	1300	
Mar-73	1302.1	
Apr-73	1303.7	
May-73	1298.1	
Jun-73	1304.8	

WATER CONSERVATION – SUMMARY – GROUND WATER

GROUND WATER FLUCTUATION:**Location: Upper Claremont Heights****Ground Surface Elevation: 1482.0 ft above MSL**

STATION	4508B	4508A
	WS Elev.	WS Elev.
Jul-73	1302.2	
Aug-73	1297.4	
Oct-73	1314.9	
Nov-73	1308.3	
Dec-73	1322.4	
Jan-74	1333.4	
Feb-74	1332.7	
Mar-74	1335.3	
Apr-74	1336.3	
May-74	1327.3	
Jun-74	1325.5	
Jul-74	1323	
Aug-74	1322.5	
Sep-74	1312.1	
Oct-74	1306.5	
Nov-74	1319.2	
Dec-74	1321.9	
Jan-75	1323.1	
Feb-75	1322.5	
Mar-75	1322.9	
Apr-75	1324.7	
May-75	1324.1	
Jun-75	1314.3	
Jul-75	1305.2	
Aug-75	1301.1	
Sep-75	1299.2	
Oct-75	1303.6	
Nov-75	1303.6	
Dec-75	1301.1	
Jan-76	1296.9	
Feb-76	1293.7	

WATER CONSERVATION – SUMMARY – GROUND WATER

GROUND WATER FLUCTUATION:**Location: Upper Claremont Heights****Ground Surface Elevation: 1482.0 ft above MSL**

STATION	4508B	4508A
	WS Elev.	WS Elev.
Mar-76	1306.3	
Apr-76	1306.2	
May-76	1296.4	
Jun-76	1294.2	
Jul-76	1289	
Aug-76	1286.4	
Sep-76	1286.5	
Oct-76	1286.1	
Nov-76	1285.9	
Dec-76	1293.2	
Jan-77	1294.5	
Feb-77	1287.7	
Mar-77	1290.9	
Apr-77	1297.4	
May-77	1294.3	
Jun-77	1288.1	
Jul-77	1286	
Aug-77	1282.2	
Sep-77	1282	
Oct-77	1281.7	
Nov-77	1280.6	
Jan-78	1290.6	
Feb-78	1293.2	
Mar-78	1297.8	
Apr-78	1361.1	
May-78	1436.2	1438
Jun-78	1449.2	1443.1
Jul-78	1429.4	1434.2
Aug-78	1436.6	1437
Sep-78		1443
Oct-78	1420.5	1408

WATER CONSERVATION – SUMMARY – GROUND WATER

GROUND WATER FLUCTUATION:**Location: Upper Claremont Heights****Ground Surface Elevation: 1482.0 ft above MSL**

STATION	4508B	4508A
	WS Elev.	WS Elev.
Dec-78	1408.1	1397
Jan-79	1401.6	1385
Feb-79	1396.6	1391
Mar-79	1393.3	1385
Apr-79	1387.3	1381
May-79	1383.5	1376
Jun-79	1380.4	1374
Aug-79	1388.1	1383
Sep-79		1382
Oct-79	1384.2	1380
Nov-79	1381.9	1380
Dec-79	1379.1	1373.5
Jan-80	1376.8	
Feb-80		1373.5
Mar-80	1386.2	1385
Apr-80	1430.3	1430
May-80	1446.3	
Jul-80	1445.5	
Aug-80	1430.7	
Sep-80	1422.3	1408
Oct-80	1408.9	1402
Dec-80	1394.2	1387
Jan-81	1389.3	1382.5
Feb-81	1385.4	
Mar-81	1383.8	1380
Apr-81	1376.6	1368.5
May-81		1368.5
Sep-81		1344
Oct-81		1344
Nov-81		1342
Dec-81		1340

WATER CONSERVATION – SUMMARY – GROUND WATER

GROUND WATER FLUCTUATION:**Location: Upper Claremont Heights****Ground Surface Elevation: 1482.0 ft above MSL**

STATION	4508B	4508A
	WS Elev.	WS Elev.
Jan-82		1339.5
Feb-82		1339.5
Mar-82		1340
Apr-82		1340
May-82		1355
Sep-82		1376
Oct-82		1374.5
Nov-82		1373
Dec-82		1374.5
Jan-83		1370
Feb-83		1373
Mar-83		1403
Apr-83		1441.5
May-83		1450
Jun-83		1452
Apr-84		1391
May-84		1383.5
Jul-84		1376
Aug-84		1370
Sep-84		1364
Oct-84		1362
Nov-84		1360.4
Dec-84		1359
Jan-85		1358.4
Feb-85		1357
Mar-85		1356
Apr-85		1350
May-85		1346
Jun-85		1343.5
Jul-85		1318
Aug-85		1332.4

WATER CONSERVATION – SUMMARY – GROUND WATER

GROUND WATER FLUCTUATION:

Location: Upper Claremont Heights

Ground Surface Elevation: 1482.0 ft above MSL

STATION	4508B	4508A
	WS Elev.	WS Elev.
Sep-85		1308
Oct-85		1326
Nov-85		1326
Jan-86		1324.4
Feb-86		1323
Mar-86		1328
Apr-86		1337
May-86		1324
Jun-86		1330
Jul-86		1332
Sep-86		1348
Oct-86		1349
Nov-86		1349.4
Dec-86		1346
Jan-87		1345
Feb-87		1341
Apr-87		1337
Oct-87		1283
Nov-87		1266
Dec-87		1274
Jan-88		1315
Feb-88		1317
Mar-88		1350
Apr-88		1297
May-88		1296
Jun-88		1288
Jul-88		1276
Aug-88		1264
Sep-88		1265
Oct-88		1298
Sep-89		1279

WATER CONSERVATION – SUMMARY – GROUND WATER

GROUND WATER FLUCTUATION:**Location: Upper Claremont Heights****Ground Surface Elevation: 1482.0 ft above MSL**

STATION	4508B	4508A
	WS Elev.	WS Elev.
Oct-89		1282
Nov-89		1280
Jan-90		1280.5
Feb-90		1297
Mar-90		1293
Apr-90		1279
Jul-90		1277
Aug-90		1274
Sep-90		1272
Oct-90		1289.5
Jan-91		1289.5
Feb-91		1292
Mar-91		1293
Apr-91		1290.7
Jun-91		1329
Oct-91		1296
Nov-91		1288
Dec-91		1292
Jan-92		1309
Feb-92		1310.5
Mar-92		1311
Apr-92		1310
May-92		1312
Jun-92		1333.5
Jul-92		1337
Aug-92		1349
Sep-92		1351
Oct-92		1351
Nov-92		1340
Dec-92		1348
Feb-93		1410

WATER CONSERVATION – SUMMARY – GROUND WATER

GROUND WATER FLUCTUATION:**Location: Upper Claremont Heights****Ground Surface Elevation: 1482.0 ft above MSL**

STATION	4508B	4508A
	WS Elev.	WS Elev.
Mar-93		1411
Apr-93		1418
Sep-93		1383.5
Oct-93		1377.7
Nov-93		1387
Dec-93		1395
Mar-94		1383.2
Apr-94		1378
May-94		1378
Jul-94		1311
Aug-94		1304
Sep-94		1301
Oct-94		1322
Oct-95		1344.1
Apr-96		1339
Oct-96		1337
Apr-97		1325
Oct-97		1339
Apr-98		1360
Oct-98		1396.5
Apr-99		1351
Oct-99		1330
May-00		1303
Nov-00		1300
01-Mar		1299
02-Oct		1285
03-Apr		1273
04-May		1267
04-Aug		1266
05-Apr		1382

WATER CONSERVATION – SUMMARY – GROUND WATER

GROUND WATER FLUCTUATION:

Location: Santa Clarita Valley, Near Castaic Junction

Ground Surface Elevation: 1131.0 ft above MSL

STATION	7048A	7048C	7057P
	WS Elev.	WS Elev.	WS Elev.
Jan-64	1044.5		
Feb-64	1046.5		
Mar-64	1045.5		
Apr-64	1047		
May-64	1044.8		
Jun-64	1037.2		
Jul-64	1034.5		
Aug-64	1032.2		
Sep-64	1032.2		
Oct-64	1032.2		
Nov-64	1036.2		
Jan-65	1042.6		
Mar-65	1040.4		
Apr-65	1042.9		
May-65	1039.1		
Jul-65	1033.9		
Aug-65	1031.5		
Sep-65	1028.7		
Oct-65	1032.5		
Nov-65	1035.2		
Dec-65	1037.1		
Jan-66	1048.1		
Mar-66	1052.4		
Apr-66	1049.3		
May-66	1044.5		
Jun-66	1043.3		
Nov-66	1037		
Dec-66	1048.6		
Mar-67	1055		
Apr-67	1058.8		
May-67	1054.7		

WATER CONSERVATION – SUMMARY – GROUND WATER

GROUND WATER FLUCTUATION:

Location: Santa Clarita Valley, Near Castaic Junction

Ground Surface Elevation: 1131.0 ft above MSL

STATION	7048A	7048C	7057P
	WS Elev.	WS Elev.	WS Elev.
Jun-67	1052		
Aug-67	1047.9		
Sep-67	1046.4		
Oct-67	1049.2		
Nov-67	1045.7		
Dec-67	1055.2		
Jan-68	1059		
Feb-68	1062.5		
Mar-68	1063.4		
Apr-68	1060.4		
May-68	1056.3		
Jul-68	1052.5		
Aug-68	1051.9		
Sep-68	1055.1		
Oct-68	1056.8		
Nov-68	1058.7		
Dec-68	1059.5		
Jan-69	1060.1		
Feb-69	1062.4		
Mar-69	1085.9		
Apr-69	1086.2		
May-69	1094.2		
Jun-69	1093.1		
Jul-69	1091.9		
Aug-69	1084.8		
Sep-69	1084.5		
Oct-69	1088		
Nov-69	1085.8		
Dec-69	1086.3		
Jan-70	1084.1		
Feb-70	1088.1		

WATER CONSERVATION – SUMMARY – GROUND WATER

GROUND WATER FLUCTUATION:

Location: Santa Clarita Valley, Near Castaic Junction

Ground Surface Elevation: 1131.0 ft above MSL

STATION	7048A	7048C	7057P
	WS Elev.	WS Elev.	WS Elev.
Mar-70	1094.9		
Apr-70	1094		
May-70	1091.2		
Jun-70	1088.8		
Jul-70	1088.2		
Aug-70	1085		
Sep-70	1084.9		
Oct-70	1085.1		
Nov-70	1086.9		
Dec-70	1090.5		
Jan-71	1098.1		
Feb-71	1095.8		
Mar-71	1099.6		
Apr-71	1099.2		
May-71	1097.5		
Jun-71	1096.7		
Jul-71	1095.3		
Aug-71	1091.6		
Sep-71	1092.1		
Oct-71	1092		
Nov-71	1092.6		
Dec-71	1094.1		
Jan-72	1096.5		
Feb-72	1096.7		
Mar-72	1097.3		
Apr-72	1092.4		
May-72	1092.6		
Jun-72	1088.9		
Jul-72	1087.4		
Sep-72	1086.9		
Oct-72	1087.9		

WATER CONSERVATION – SUMMARY – GROUND WATER

GROUND WATER FLUCTUATION:

Location: Santa Clarita Valley, Near Castaic Junction

Ground Surface Elevation: 1131.0 ft above MSL

STATION	7048A	7048C	7057P
	WS Elev.	WS Elev.	WS Elev.
Nov-72	1089.5		
Dec-72	1092.9		
Jan-73	1093.1		
Feb-73	1095.3		
Mar-73	1097.6		
Apr-73	1098.5		
May-73	1094.9		
Jun-73	1092.7		
Jul-73	1089.3		
Aug-73	1087.4		
Sep-73	1087.9		
Oct-73	1090.3		
Nov-73	1088.5		
Dec-73	1091.3		
Jan-74	1096.5		
Feb-74	1093.8		
Mar-74	1094.1		
Apr-74	1095.8		
May-74	1096.5		
Jun-74	1094.6		
Jul-74	1090.3		
Aug-74	1093		
Sep-74	1093		
Dec-74	1092.4		
Jan-75	1093.3		
Feb-75	1094.6		
Mar-75	1094.5		
Apr-75	1096.5		
May-75	1096.5		
Jun-75	1092.2		
Jul-75	1089.1		

WATER CONSERVATION – SUMMARY – GROUND WATER

GROUND WATER FLUCTUATION:

Location: Santa Clarita Valley, Near Castaic Junction

Ground Surface Elevation: 1131.0 ft above MSL

STATION	7048A	7048C	7057P
	WS Elev.	WS Elev.	WS Elev.
Aug-75	1084.1		
Sep-75	1083.8		
Oct-75	1084.7		
Nov-75	1087.7		
Dec-75	1087.5		
Jan-76	1086.1		
Feb-76	1089.3		
Mar-76	1089.1		
Apr-76	1089.5		
May-76	1090.5		
Jun-76	1086.8		
Jul-76	1082.5		
Aug-76	1082.5		
Sep-76	1082.8		
Oct-76	1083.9		
Dec-76	1085.4		
Jan-77	1087.1		
Feb-77	1087		
Mar-77	1086		
May-77	1086.1		
Jun-77	1084.4		
Jul-77	1082.5		
Aug-77	1080.5		
Sep-77	1076.9		
Oct-77	1077.7		
Nov-77	1079.6		
Dec-77	1080		
Jan-78	1083.3		
Feb-78	1087.9		
Mar-78	1097.8		
Apr-78	1099.7		

WATER CONSERVATION – SUMMARY – GROUND WATER

GROUND WATER FLUCTUATION:**Location: Santa Clarita Valley, Near Castaic Junction****Ground Surface Elevation: 1131.0 ft above MSL**

STATION	7048A	7048C	7057P
	WS Elev.	WS Elev.	WS Elev.
May-78	1097.2		
Jun-78	1094.6		
Jul-78	1091.7		
Aug-78	1089.5		
Sep-78	1087.6		
Oct-78	1089.7		
Dec-78	1087.9		
Jan-79	1093.4		
Feb-79	1097.3		
Mar-79	1100.7		
Apr-79	1098.3		
May-79	1095.9		
Jun-79	1093.5		
Jul-79	1090.3		
Sep-79	1088.9		
Oct-79	1091.5		
Dec-79	1093.7		
Jan-80	1097.3		
Mar-80	1106.8		
May-80	1107		
Jun-80	1104.6		
Jul-80	1104.1		
Aug-80	1103.2		
Sep-80	1101.3		
Oct-80	1096.6		
Nov-80	1100.1		
Dec-80	1100.2		
Jan-81	1100.9		
Feb-81	1103.3		
Apr-81	1102.5		
May-81	1103.5		

WATER CONSERVATION – SUMMARY – GROUND WATER

GROUND WATER FLUCTUATION:

Location: Santa Clarita Valley, Near Castaic Junction

Ground Surface Elevation: 1131.0 ft above MSL

STATION	7048A	7048C	7057P
	WS Elev.	WS Elev.	WS Elev.
Jun-81	1100.7		
Jul-81	1100.4		
Aug-81	1099.9		
Sep-81	1099		
Oct-81	1099.4		
Nov-81	1100.4		
Dec-81	1102.2		
Jan-82	1103.3		
Feb-82	1100.3		
Mar-82	1105.4		
Apr-82	1106.1		
May-82	1104.5		
Jun-82	1103.8		
Jul-82	1102.8		
Aug-82	1102.5		
Sep-82	1102		
Oct-82	1101.8		
Nov-82	1102.7		
Dec-82	1103.2		
Jan-83	1102		
Feb-83	1105.9		
Mar-83	1107.1		
Apr-83	1108		
May-83	1107.7		
Jun-83	1107.4		
Jul-83	1106.5		
Aug-83	1105.8		
Oct-83	1104.6		
Nov-83	1104.7		
Dec-83	1105.3		
Jan-84	1105.6		

WATER CONSERVATION – SUMMARY – GROUND WATER

GROUND WATER FLUCTUATION:**Location: Santa Clarita Valley, Near Castaic Junction****Ground Surface Elevation: 1131.0 ft above MSL**

STATION	7048A	7048C	7057P
	WS Elev.	WS Elev.	WS Elev.
Feb-84	1105.6		
Mar-84	1106.5		
Apr-84	1104.7		
Jun-84	1102.4		
Jul-84	1102.4		
Aug-84	1103.4		
Sep-84	1101.7		
Dec-84	1105.9		
Jan-85	1104.3		
Apr-85	1104.8		
May-85	1101.1		
Jun-85	1099.9		
Jul-85	1100.3		
Aug-85	1107		
Sep-85	1100.7		
Oct-85	1100.5		
Dec-85	1101.5		
Jan-86	1101	1108	
Feb-86	1103.5	1110.5	
Mar-86	1105.2	1110.7	
Apr-86	1105	1109.2	
May-86	1102.2	1108.7	
Jun-86	1103.5		
Jul-86	1101.9	1106.4	
Aug-86	1098.3	1105.7	
Sep-86	1097.9	1104.4	
Oct-86	1098.9	1105.5	
Nov-86		1104.2	
Dec-86	1098.7	1105.3	
Jan-87	1100.7	1106	
Mar-87	1097	1093.7	

WATER CONSERVATION – SUMMARY – GROUND WATER

GROUND WATER FLUCTUATION:**Location: Santa Clarita Valley, Near Castaic Junction****Ground Surface Elevation: 1131.0 ft above MSL**

STATION	7048A	7048C	7057P
	WS Elev.	WS Elev.	WS Elev.
Apr-87	1098.7	1104.7	
May-87	1097	1104.2	
Jun-87	1094.5	1102.5	
Jul-87	1088.5	1098.7	
Aug-87		1097.2	
Sep-87	1094.3	1099.3	
Oct-87	1094	1101.6	
Nov-87	1096.5	1102.2	
Dec-87	1095.5	1102.7	
Jan-88	1099.9	1104.2	
Feb-88	1098.2	1103.4	
Mar-88	1098.5	1104.2	
Jun-88	1098	1102.4	
Jul-88	1094	1101.2	
Aug-88	1095.7	1101.2	
Sep-88	1093.8	1100.7	
Oct-88	1096.5	1100.2	
Jan-89	1092.8	1102.7	
Mar-89	1097.2	1101.8	
Apr-89	1093.5	1100.2	
May-89	1095.7	1100.3	
Jun-89	1095	1099.3	
Jul-89	1093.6	1098.2	
Aug-89	1089.6	1098.2	
Sep-89	1091.7	1097.4	
Oct-89	1091.8	1095.7	1100.4
Nov-89	1089	1097	
Dec-89	1089.9	1096.3	
Jan-90	1091		
Mar-90	1094.3	1097.8	1104.5
Apr-90		1097.3	

WATER CONSERVATION – SUMMARY – GROUND WATER
--

GROUND WATER FLUCTUATION:**Location: Santa Clarita Valley, Near Castaic Junction****Ground Surface Elevation: 1131.0 ft above MSL**

STATION	7048A	7048C	7057P
	WS Elev.	WS Elev.	WS Elev.
Jun-90		1096.1	
Jul-90		1085.2	
Sep-90		1091.2	
Oct-90			1092
Nov-90		1090.7	
Dec-90		1091.4	
Jan-91		1092.2	
Feb-91		1092.2	
Apr-91		1095.7	
May-91		1093	
Jun-91		1087.3	
Jul-91		1085.2	
Aug-91		1082.7	
Sep-91		1080	
Oct-93			1101
Oct-94			1095.6
May-95			1109.8
Oct-95			1099
Nov-96			1099.8
May-97			1095.5
Oct-97			1092.6
Dec-98			1104.4
May-99			1095.1
Nov-99			1095

WATER CONSERVATION – SUMMARY – GROUND WATER

GROUND WATER FLUCTUATION:

Location: Little Rock, South of Palmdale

Ground Surface Elevation: 2777.0 ft above MSL

STATION	8825
	WS Elev.
Jan-56	2647.8
Feb-56	2646.3
Mar-56	2647.9
Apr-56	2648
May-56	2653.4
Jun-56	2645.9
Jul-56	2629.9
Aug-56	2644.2
Sep-56	2649.6
Oct-56	2652
Nov-56	2653.7
Dec-56	2655.2
Jan-57	2656.6
Feb-57	2657.5
Mar-57	2658.6
Apr-57	2657.7
May-57	2656.7
Jun-57	2655.8
Jul-57	2649.8
Aug-57	2651.3
Sep-57	2651
Oct-57	2654.4
Nov-57	2656
Dec-57	2657.8
Jan-58	2658.9
Feb-58	2660
Mar-58	2660.5
Apr-58	2660.5
May-58	2660.8
Jun-58	2661.3
Jul-58	2659.6

WATER CONSERVATION – SUMMARY – GROUND WATER

GROUND WATER FLUCTUATION:**Location: Little Rock, South of Palmdale****Ground Surface Elevation: 2777.0 ft above MSL**

STATION	8825
	WS Elev.
Aug-58	2657.7
Sep-58	2657.6
Oct-58	2666.1
Nov-58	2659.9
Dec-58	2663.2
Jan-59	2664.4
Feb-59	2664.7
Mar-59	2665.4
Apr-59	2662
May-59	2658.7
Jun-59	2662.5
Jul-59	2657.4
Aug-59	2656.4
Sep-59	2658.7
Oct-59	2661.7
Nov-59	2660.6
Dec-59	2662.1
Jan-60	2663.2
Feb-60	2664.3
Mar-60	2664.4
Apr-60	2659.9
May-60	2660.4
Jun-60	2658.5
Jul-60	2654.3
Aug-60	2652.7
Sep-60	2654.1
Oct-60	2650.6
Nov-60	2656
Dec-60	2657.1
Jan-61	2658.4
Feb-61	2658.2

WATER CONSERVATION – SUMMARY – GROUND WATER

GROUND WATER FLUCTUATION:**Location: Little Rock, South of Palmdale****Ground Surface Elevation: 2777.0 ft above MSL**

STATION	8825
	WS Elev.
Mar-61	2654.3
Apr-61	2655.8
May-61	2653
Jun-61	2651.6
Jul-61	2649.1
Aug-61	2646.6
Sep-61	2650.2
Oct-61	2648.1
Nov-61	2650.9
Dec-61	2649.6
Jan-62	2654
Feb-62	2654.4
Mar-62	2655.2
Apr-62	2652.6
May-62	2653.6
Jun-62	2653.5
Jul-62	2652.2
Aug-62	2650.5
Sep-62	2651.5
Oct-62	2651.9
Nov-62	2653.5
Jan-63	2654.8
Feb-63	2655.3
Mar-63	2650.1
Apr-63	2654.6
May-63	2649.9
Jun-63	2648.3
Jul-63	2647.2
Aug-63	2645
Sep-63	2648.7
Oct-63	2650.3

WATER CONSERVATION – SUMMARY – GROUND WATER

GROUND WATER FLUCTUATION:**Location: Little Rock, South of Palmdale****Ground Surface Elevation: 2777.0 ft above MSL**

STATION	8825
	WS Elev.
Nov-63	2652.1
Dec-63	2653.2
Jan-64	2653.7
Feb-64	2653.3
Mar-64	2650.3
Apr-64	2653.5
May-64	2653
Jun-64	2653.5
Jul-64	2651.5
Aug-64	2649.3
Sep-64	2648.2
Oct-64	2646.5
Dec-64	2652
Jan-65	2652.9
Feb-65	2653.4
Mar-65	2652.4
Apr-65	2650.1
May-65	2652.1
Jun-65	2649.8
Jul-65	2649.7
Aug-65	2648.8
Sep-65	2650.9
Oct-65	2650.8
Nov-65	2651.8
Dec-65	2653
Jan-66	2653.7
Feb-66	2654.6
Mar-66	2654.8
Apr-66	2655.3
May-66	2656.7
Jun-66	2655.2

WATER CONSERVATION – SUMMARY – GROUND WATER

GROUND WATER FLUCTUATION:**Location: Little Rock, South of Palmdale****Ground Surface Elevation: 2777.0 ft above MSL**

STATION	8825
	WS Elev.
Jul-66	2654.5
Aug-66	2652
Sep-66	2650.8
Oct-66	2653.9
Nov-66	2656.7
Dec-66	2657.5
Jan-67	2657.8
Feb-67	2657.2
Mar-67	2658.2
Apr-67	2659.3
May-67	2659.3
Jun-67	2658.6
Jul-67	2657.1
Aug-67	2656.3
Sep-67	2659
Oct-67	2659.5
Nov-67	2661
Jan-68	2662.1
Feb-68	2662.6
Mar-68	2662.7
Apr-68	2662.7
May-68	2662.4
Jun-68	2661.8
Jul-68	2660.2
Aug-68	2657.2
Sep-68	2658.9
Oct-68	2653.5
Nov-68	2658.1
Dec-68	2659.6
Feb-69	2660.9
Mar-69	2661

WATER CONSERVATION – SUMMARY – GROUND WATER
--

GROUND WATER FLUCTUATION:**Location: Little Rock, South of Palmdale****Ground Surface Elevation: 2777.0 ft above MSL**

STATION	8825
	WS Elev.
Apr-69	2660
May-69	2659.8
Jun-69	2658.6
Jul-69	2660
Aug-69	2659.6
Sep-69	2660.2
Oct-69	2660
Nov-69	2663.6
Dec-69	2664.8
Jan-70	2665.1
Feb-70	2665.2
Mar-70	2665.4
Apr-70	2665.9
May-70	2660.2
Jun-70	2657.8
Jul-70	2662
Aug-70	2660.2
Sep-70	2660.1
Oct-70	2660.3
Nov-70	2663
Dec-70	2664.1
Jan-71	2662.2
Feb-71	2664.1
Mar-71	2663.7
Apr-71	2660.4
May-71	2660.2
Jun-71	2660.1
Jul-71	2659.9
Aug-71	2657.5
Sep-71	2658.6
Oct-71	2660

WATER CONSERVATION – SUMMARY – GROUND WATER

GROUND WATER FLUCTUATION:**Location: Little Rock, South of Palmdale****Ground Surface Elevation: 2777.0 ft above MSL**

STATION	8825
	WS Elev.
Nov-71	2661.1
Dec-71	2660.8
Jan-72	2661.8
Feb-72	2661.2
Mar-72	2661.6
Apr-72	2660.7
May-72	2659.3
Jun-72	2659.6
Jul-72	2657.3
Aug-72	2657.3
Sep-72	2657.5
Oct-72	2657
Nov-72	2658.3
Dec-72	2659.9
Jan-73	2657.5
Feb-73	2658.7
Mar-73	2659.9
Apr-73	2658.5
May-73	2656.4
Jun-73	2655.8
Jul-73	2654
Aug-73	2653.4
Sep-73	2653.9
Oct-73	2655.1
Nov-73	2656.7
Dec-73	2657.2
Feb-74	2658.2
Mar-74	2657.5
Apr-74	2657
May-74	2654.9
Jun-74	2652.9

WATER CONSERVATION – SUMMARY – GROUND WATER
--

GROUND WATER FLUCTUATION:**Location: Little Rock, South of Palmdale****Ground Surface Elevation: 2777.0 ft above MSL**

STATION	8825
	WS Elev.
Jul-74	2650.7
Aug-74	2651.6
Sep-74	2654.3
Oct-74	2656.5
Nov-74	2657.2
Dec-74	2657.1
Jan-75	2658.6
Feb-75	2659.1
Apr-75	2659.3
May-75	2657.2
Jun-75	2655.8
Jul-75	2655.6
Sep-75	2655.3
Oct-75	2655.2
Nov-75	2658.1
Dec-75	2657.2
Jan-76	2656.9
Feb-76	2658.3
Mar-76	2658.5
Apr-76	2657.7
May-76	2657.1
Jun-76	2655.7
Jul-76	2655.5
Aug-76	2654.1
Sep-76	2655.7
Oct-76	2657.3
Nov-76	2657.2
Dec-76	2658.9
Jan-77	2659.4
Feb-77	2659.5
Mar-77	2659.3

WATER CONSERVATION – SUMMARY – GROUND WATER

GROUND WATER FLUCTUATION:**Location: Little Rock, South of Palmdale****Ground Surface Elevation: 2777.0 ft above MSL**

STATION	8825
	WS Elev.
Apr-77	2659
May-77	2659
Jun-77	2657.4
Jul-77	2659.3
Aug-77	2657.3
Sep-77	2656.9
Oct-77	2657.6
Nov-77	2658.2
Dec-77	2659.3
Jan-78	2659.3
Feb-78	2660
Mar-78	2660.1
Apr-78	2660.3
May-78	2658.3
Jun-78	2658.3
Jul-78	2656.9
Aug-78	2656.2
Sep-78	2658.8
Oct-78	2659.3
Jan-79	2661.8
Mar-79	2663.5
Apr-79	2664.4
Jun-79	2660
Sep-79	2658.8
Jan-80	2660.3
May-80	2667.4
Jun-80	2667.8
Jul-80	2668.4
Aug-80	2668.6
Sep-80	2670.4
Oct-80	2671.2

WATER CONSERVATION – SUMMARY – GROUND WATER

GROUND WATER FLUCTUATION:**Location: Little Rock, South of Palmdale****Ground Surface Elevation: 2777.0 ft above MSL**

STATION	8825
	WS Elev.
Nov-80	2671.6
Dec-80	2672.2
Jan-81	2672.6
Feb-81	2672.7
Apr-81	2672.6
May-81	2671.4
Jun-81	2671.2
Jul-81	2670.2
Aug-81	2667.4
Sep-81	2666.4
Oct-81	2669.3
Nov-81	2658.5
Dec-81	2670
Jan-82	2670.1
Feb-82	2669.9
Mar-82	2670.1
Apr-82	2669.1
May-82	2668.8
Jun-82	2668.2
Jul-82	2668.5
Aug-82	2668.2
Sep-82	2668.8
Oct-82	2668.3
Nov-82	2669.2
Dec-82	2669.3
Jan-83	2669.6
Feb-83	2669.6
Apr-83	2670
May-83	2669.7
Jun-83	2670
Jul-83	2670.2

WATER CONSERVATION – SUMMARY – GROUND WATER

GROUND WATER FLUCTUATION:**Location: Little Rock, South of Palmdale****Ground Surface Elevation: 2777.0 ft above MSL**

STATION	8825
	WS Elev.
Aug-83	2671.6
Sep-83	2672
Oct-83	2673.4
Nov-83	2673.8
Dec-83	2674.4
Jan-84	2674.7
Feb-84	2675.2
Mar-84	2675.2
Apr-84	2675
May-84	2674.4
Jun-84	2666.3
Jul-84	2665.8
Aug-84	2666.4
Sep-84	2670.7
Oct-84	2671.5
Nov-84	2672.7
Dec-84	2673.1
Jan-85	2670.9
Feb-85	2671.5
Jun-85	2664.1
Jul-85	2666.9
Aug-85	2666.1
Sep-85	2669.2
Oct-85	2669.5
Nov-85	2669.4
Dec-85	2669.5
Jan-86	2668.8
Feb-86	2669.4
Mar-86	2669.8
Apr-86	2666.3
May-86	2669.3

WATER CONSERVATION – SUMMARY – GROUND WATER

GROUND WATER FLUCTUATION:**Location: Little Rock, South of Palmdale****Ground Surface Elevation: 2777.0 ft above MSL**

STATION	8825
	WS Elev.
Jun-86	2668.9
Jul-86	2665.1
Aug-86	2663
Sep-86	2668
Oct-86	2658.9
Mar-87	2667.5
Apr-87	2659.1
Sep-87	2667
Oct-87	2666.8
Nov-87	2662.8
Dec-87	2670.3
Jan-88	2667.5
Feb-88	2667
Mar-88	2665.9
May-88	2665.3
Jun-88	2665.3
Aug-88	2662.9
Sep-88	2664
Oct-88	2661.3
Jan-89	2661.6
Feb-89	2650.3
Mar-89	2665.8
Apr-89	2666.3
May-89	2665.5
Jun-89	2665.3
Aug-89	2663.3
Sep-89	2665.3
Oct-89	2661.3
Dec-89	2665.2
Jan-90	2661.2
Mar-90	2665.8

WATER CONSERVATION – SUMMARY – GROUND WATER

GROUND WATER FLUCTUATION:**Location: Little Rock, South of Palmdale****Ground Surface Elevation: 2777.0 ft above MSL**

STATION	8825
	WS Elev.
Apr-90	2665
May-90	2665
Jun-90	2665.6
Jul-90	2660.5
Oct-90	2665
Dec-90	2663
Mar-91	2663
Apr-91	2663
May-91	2665
Jun-91	2663
Jul-91	2661
Aug-91	2662
Sep-91	2663
Oct-91	2663
Nov-91	2661
Dec-91	2661
Jan-92	2661
Feb-92	2662
Mar-92	2662
Apr-92	2660
May-92	2660
Jun-92	2659
Jul-92	2661
Aug-92	2661
Sep-92	2661
Oct-92	2663
Nov-92	2663
Dec-92	2663
Feb-93	2663
Mar-93	2665
May-93	2665

WATER CONSERVATION – SUMMARY – GROUND WATER
--

GROUND WATER FLUCTUATION:**Location: Little Rock, South of Palmdale****Ground Surface Elevation: 2777.0 ft above MSL**

STATION	8825
	WS Elev.
Jun-93	2674
Jul-93	2667
Aug-93	2667
Sep-93	2670
Oct-93	2671
Nov-93	2671
Dec-93	2669
Jan-94	2669
Mar-94	2673
May-94	2670
Jul-94	2668
Aug-94	2671
Sep-94	2673
Jan-95	2667
Feb-95	2667
Mar-95	2670
Apr-95	2670
Jun-95	2670
Jul-95	2669
Aug-95	2667
Oct-95	2666
Dec-95	2671
Jan-96	2665
Feb-96	2666
Mar-96	2667
Apr-96	2667
Apr-97	2662
Oct-97	2661
Dec-98	2663
Feb-99	2665
Nov-99	2663

WATER CONSERVATION – SUMMARY – GROUND WATER

GROUND WATER FLUCTUATION:

Location: Little Rock, South of Palmdale

Ground Surface Elevation: 2777.0 ft above MSL

STATION	8825
	WS Elev.
Jun-00	2664
Dec-00	2665
01-May	2661
01-Dec	2659
03-Dec	2656
04-Apr	2653.5
04-Nov	2651
05-Sep	2656

WATER CONSERVATION – SUMMARY – GROUND WATER

GROUND WATER FLUCTUATION:

Location : Antelope Valley, South of Lancaster

Ground Surface Elevation: 2512 ft above MSL

STATION	9962C	9962B	9962D	9974
	WS Elev.	WS Elev.	WS Elev.	WS Elev.
Apr-61	2236.8			
May-61	2237.4			
Jun-61	2235.8			
Jul-61	2232			
Aug-61	2233.3			
Sep-61	2231.6			
Oct-61	2231.7			
Nov-61	2233.4			
Dec-61	2233.5			
Jan-62	2237.1			
Feb-62	2237			
Mar-62	2237.8			
Apr-62	2235.9			
May-62	2233.2			
Jun-62	2231.1			
Jul-62	2229.4			
Aug-62	2227.4			
Sep-62	2226			
Oct-62	2226.5			
Nov-62	2229.7			
Jan-63	2231			
Feb-63	2230.4			
Mar-63	2229.8			
Apr-63	2230.1			
May-63	2227.3			
Jun-63	2225.9			
Jul-63	2223.9			
Aug-63	2221.7			
Sep-63	2221.2			
Oct-63	2222.5			
Nov-63	2224.8			

WATER CONSERVATION – SUMMARY – GROUND WATER

GROUND WATER FLUCTUATION:

Location : Antelope Valley, South of Lancaster

Ground Surface Elevation: 2512 ft above MSL

STATION	9962C	9962B	9962D	9974
	WS Elev.	WS Elev.	WS Elev.	WS Elev.
Dec-63	2225.8			
Jan-64	2225.6			
Feb-64	2227			
Mar-64	2227.4			
Apr-64	2226.4			
May-64	2224.3			
Jun-64	2221.5			
Jul-64	2217.6			
Aug-64	2216.1			
Sep-64	2216.2			
Oct-64	2216.3			
Nov-64	2218.9			
Jan-65	2221.2			
Feb-65	2220.1			
Mar-65	2219.5			
Apr-65	2220.6			
May-65	2218			
Jun-65	2215.4			
Jul-65	2211.6			
Aug-65	2210			
Sep-65	2210.7			
Oct-65	2210			
Nov-65	2212.2			
Dec-65	2215.1			
Jan-66	2215.8			
Feb-66	2217			
Mar-66	2214.7			
Apr-66	2213.3			
May-66	2210.9			
Jun-66	2209.2			
Jul-66	2206.9			

WATER CONSERVATION – SUMMARY – GROUND WATER

GROUND WATER FLUCTUATION:

Location : Antelope Valley, South of Lancaster

Ground Surface Elevation: 2512 ft above MSL

STATION	9962C	9962B	9962D	9974
	WS Elev.	WS Elev.	WS Elev.	WS Elev.
Aug-66	2205.6			
Oct-66	2207.6			
Dec-66	2211.1			
May-67	2198.4			
Aug-67	2208.4			
Oct-67	2203.4			
Nov-67	2204.3			
Dec-67	2206.4			
Jan-68	2207.5			
Feb-68	2207.4			
Mar-68	2206.8			
Apr-68	2205.2			
May-68	2203.7			
Jun-68	2202.2			
Jul-68	2200.5			
Aug-68	2199.7			
Sep-68	2199.6			
Oct-68	2200.3			
Nov-68	2199.4			
Dec-68	2194.6			
Feb-69	2197.7			
Mar-69	2201.6			
Apr-69	2203.2			
May-69	2201.2			
Jun-69	2200.3			
Jul-69	2198.9			
Aug-69	2197			
Sep-69	2198.5			
Oct-69	2197.9			
Nov-69	2198.2			
Dec-69	2200.3			

WATER CONSERVATION – SUMMARY – GROUND WATER

GROUND WATER FLUCTUATION:

Location : Antelope Valley, South of Lancaster

Ground Surface Elevation: 2512 ft above MSL

STATION	9962C	9962B	9962D	9974
	WS Elev.	WS Elev.	WS Elev.	WS Elev.
Jan-70	2200.8			
Feb-70	2200.9			
Mar-70	2201.1			
Apr-70	2199.5			
May-70	2199.1			
Jun-70	2197.2			
Jul-70	2195.2			
Aug-70	2195			
Sep-70	2194.2			
Oct-70	2194.5			
Nov-70	2195.3			
Dec-70	2191.7			
Jan-71	2196.6			
Feb-71	2197.7			
Mar-71	2197.1			
Apr-71	2195.6			
May-71	2192.9			
Jun-71	2192.2			
Jul-71	2190.6			
Aug-71	2189.5			
Sep-71	2188.8			
Oct-71	2188.8			
Nov-71	2189.6			
Dec-71	2189.6			
Jan-72	2190.9			
Feb-72	2191			
Mar-72	2190.6			
Apr-72	2189.2			
May-72	2187			
Jun-72	2187.8			
Jul-72	2185.6			

WATER CONSERVATION – SUMMARY – GROUND WATER

GROUND WATER FLUCTUATION:

Location : Antelope Valley, South of Lancaster

Ground Surface Elevation: 2512 ft above MSL

STATION	9962C	9962B	9962D	9974
	WS Elev.	WS Elev.	WS Elev.	WS Elev.
Aug-72	2184.4			
Sep-72	2184.2			
Oct-72	2184.6			
Nov-72	2185.4			
Dec-72	2187.2			
Jan-73	2188.1			
Feb-73	2188.6			
Mar-73	2189.3			
Apr-73		2187		
May-73		2182.4		
Jun-73		2183.9		
Jul-73		2182.5		
Aug-73		2180.3		
Sep-73		2178.6		
Oct-73		2178.7		
Nov-73		2180.4		
Dec-73		2181.3		
Jan-74		2182.1		
Feb-74		2183.2		
Mar-74		2182.2		
Apr-74		2181.4		
May-74		2180.5		
Jun-74		2178.3		
Jul-74		2176.2		
Aug-74		2169.3		
Sep-74		2174.6		
Nov-74		2168	2176.9	
Dec-74			2177.1	
Jan-75			2177.6	
Feb-75			2177.7	
Mar-75			2177.6	

WATER CONSERVATION – SUMMARY – GROUND WATER

GROUND WATER FLUCTUATION:

Location : Antelope Valley, South of Lancaster

Ground Surface Elevation: 2512 ft above MSL

STATION	9962C	9962B	9962D	9974
	WS Elev.	WS Elev.	WS Elev.	WS Elev.
Apr-75			2176	2180
May-75			2176.3	2179
Jun-75			2174.9	
Jul-75			2174.4	
Aug-75			2173	2171.5
Sep-75			2172.4	2172.3
Oct-75			2172	
Nov-75			2169.2	
Dec-75			2168.7	2159
Jan-76			2168.7	2173.4
Feb-76			2173	2171
Mar-76				2161
Apr-76			2172	
May-76			2167.3	2170.8
Jun-76			2170.9	2168.5
Jul-76			2169.8	2169.5
Aug-76			2169.4	2166
Sep-76			2168.9	2165.1
Oct-76			2168.9	2167.2
Nov-76			2168.8	2168.5
Dec-76			2169.9	2168.2
Jan-77			2170.2	2170.2
Feb-77			2170	2170.1
Mar-77			2170	2169.5
May-77			2169	2167
Jun-77			2168.7	2166
Jul-77			2167.7	2164
Aug-77			2163.7	2163.2
Sep-77			2162	2162.5
Oct-77			2161	2162.6
Nov-77				2164.6

WATER CONSERVATION – SUMMARY – GROUND WATER

GROUND WATER FLUCTUATION:

Location : Antelope Valley, South of Lancaster

Ground Surface Elevation: 2512 ft above MSL

STATION	9962C	9962B	9962D	9974
	WS Elev.	WS Elev.	WS Elev.	WS Elev.
Dec-77				2164.3
Jan-78				2164.1
Feb-78				2165
Mar-78				2165.1
Apr-78				2165.1
May-78				2165
Jun-78				2161.8
Jul-78				2161.7
Aug-78				2160.9
Sep-78				2161.9
Oct-78				2161.5
Jan-79				2164.5
Mar-79				2165.1
Apr-79				2164.3
Jun-79				2161.4
Sep-79				2159.6
Mar-80				2162.9
Jun-80				2160.8
Sep-80				2158.7
Oct-80				2158.4
Nov-80				2159.3
Dec-80				2157.1
Jan-81				2156
Feb-81				2154.4
Apr-81				2160.7
May-81				2156.8
Jun-81				2151.2
Jul-81				2149.6
Aug-81				2152.3
Sep-81				2157.1
Oct-81				2158

WATER CONSERVATION – SUMMARY – GROUND WATER

GROUND WATER FLUCTUATION:

Location : Antelope Valley, South of Lancaster

Ground Surface Elevation: 2512 ft above MSL

STATION	9962C	9962B	9962D	9974
	WS Elev.	WS Elev.	WS Elev.	WS Elev.
Nov-81				2158.6
Dec-81				2159
Jan-82				2159.3
Feb-82				2158.3
Mar-82				2158.2
Apr-82				2154.7
May-82				2157.1
Jun-82				2153.7
Jul-82				2154.1
Aug-82				2146.8
Sep-82				2153
Nov-82				2152.6
Dec-82				2154.7
Jan-83				2153.8
Feb-83				2157
Apr-83				2156
May-83				2153.1
Jul-83				2145.1
Aug-83				2150.8
Sep-83				2150.4
Oct-83				2151.3
Nov-83				2151.5
Jan-84				2152.1
Feb-84				2151.4
Apr-84				2150.2
Jul-84				2147.7
Aug-84				2147.4
Sep-84				2147.6
Oct-84				2147
Nov-84				2147.3
Jan-85				2146.7

WATER CONSERVATION – SUMMARY – GROUND WATER

GROUND WATER FLUCTUATION:

Location : Antelope Valley, South of Lancaster

Ground Surface Elevation: 2512 ft above MSL

STATION	9962C	9962B	9962D	9974
	WS Elev.	WS Elev.	WS Elev.	WS Elev.
Feb-85				2149.1
Jun-85				2146.8
Jul-85				2144.9
Sep-85				2146
Oct-85				2146.2
Nov-85				2147
Jan-86				2146.9
Feb-86				2149
Mar-86				2147.7
Apr-86				2147.8
May-86				2146.7
Jun-86				2144.7
Aug-86				2144.1
Sep-86				2143
Oct-86				2142.4
Feb-87				2146.5
Mar-87				2146.3
Apr-87				2144
Mar-90				2144
Apr-90				2145
May-90				2148
Jun-90				2148
Jul-90				2148
Aug-90				2147
Oct-90				2149
Dec-90				2145
Apr-91				2149
May-91				2145
Jun-91				2149
Jul-91				2137
Aug-91				2151

WATER CONSERVATION – SUMMARY – GROUND WATER

GROUND WATER FLUCTUATION:

Location : Antelope Valley, South of Lancaster

Ground Surface Elevation: 2512 ft above MSL

STATION	9962C	9962B	9962D	9974
	WS Elev.	WS Elev.	WS Elev.	WS Elev.
Sep-91				2153
Oct-91				2147
Nov-91				2149
Jan-92				2137
Feb-92				2147
Mar-92				2147
Apr-92				2142
Jun-92				2145
Jul-92				2145
Aug-92				2149
Oct-92				2147
Nov-92				2145
Dec-92				2146
Jan-93				2146
Feb-93				2147
Mar-93				2153
May-93				2147
Jun-93				2151
Jul-93				2147
Aug-93				2147
Sep-93				2149
Oct-93				2149
Nov-93				2149
Dec-93				2149
Jan-94				2147
Mar-94				2149
May-94				2147
Jul-94				2147
Aug-94				2149
Sep-94				2146
Feb-95				2145

WATER CONSERVATION – SUMMARY – GROUND WATER
--

GROUND WATER FLUCTUATION:**Location : Antelope Valley, South of Lancaster****Ground Surface Elevation: 2512 ft above MSL**

STATION	9962C	9962B	9962D	9974
	WS Elev.	WS Elev.	WS Elev.	WS Elev.
Mar-95				2149
Apr-95				2149
Jun-95				2148
Jul-95				2151
Oct-97				2253
Dec-98				2278
Apr-99				2281
Nov-99				2263
Jun-00				2258
Dec-00				2275
01-May				2261
01-Dec				2281
02-May				2277
02-Dec				2260
03-Dec				2279
04-Apr				2255.8
04-Nov				2254
05-Mar				2258
05-Sep				2263

CUSTODIAN:

Unpublished information may be obtained by contacting:

County of Los Angeles
Department of Public Works
Water Resources Division
P.O. Box 1460
Alhambra, CA 91802-1460

...or telephone: (626) 458-6120